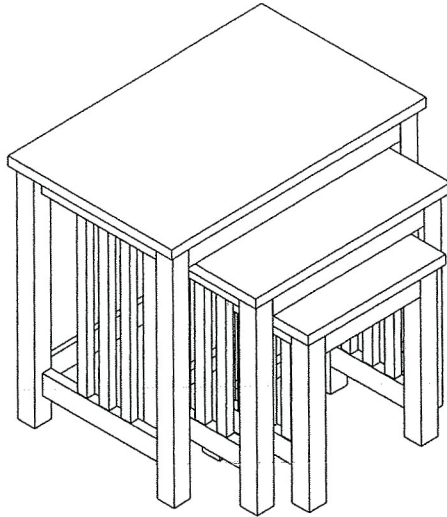




ASHMORE NEST OF TABLES

ASSEMBLY INSTRUCTIONS



IMPORTANT

PLEASE READ BEFORE YOU CONTINUE FURTHER

THE PRODUCT YOU HAVE PURCHASED WILL GIVE YOU MANY YEARS OF SERVICE IF YOU FOLLOW THE GUIDELINES FOR ITS SAFE ASSEMBLY AND PERIODIC MAINTENANCE AND CLEANING.

ASSEMBLE ON A SOFT CLEAN SURFACE.

DO NOT USE ANY TOOLS OTHER THAN THOSE SHOWN.

ANY SPANNERS OR ALLEN KEYS REQUIRED ARE INCLUDED WITH THE FITTINGS KIT.

DO NOT FOR ANY REASON USE A POWER TOOL TO ASSEMBLE THIS PRODUCT. ITS USE WILL INVALIDATE ANY CLAIM YOU MAY HAVE AND COULD MAKE THIS PRODUCT UNSAFE.

DEPENDING ON THE AMOUNT OF USE THIS PRODUCT RECEIVES IT MAY BE NECESSARY TO TIGHTEN UP THE FIXINGS FROM TIME TO TIME. THIS IS COMPLETELY NORMAL FOR ANY FLAT PACK FURNITURE.
DO NOT OVERTIGHTEN FIXINGS.

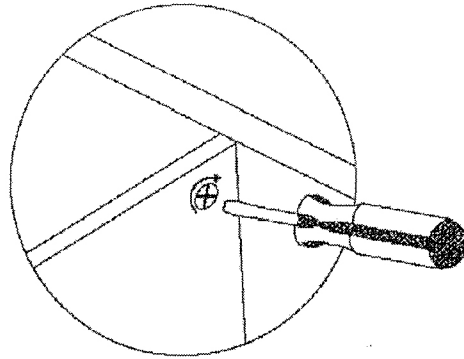
FOR CLEANING, YOU MAY USE A DAMP CLOTH (NOT WET).

THE SURFACE OF THIS ITEM IS NOT HEAT RESISTANT. ALWAYS USE A PLACE MAT UNDER HOT OR COLD ITEMS TO PREVENT MARKING.

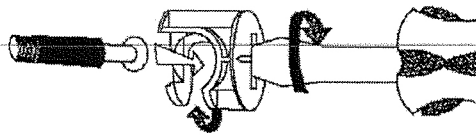


(Screwdriver not provided)

Use a flat blade screwdriver to tighten the cam nuts. A quarter turn clockwise is all that is needed.



This is how a cam nut works...



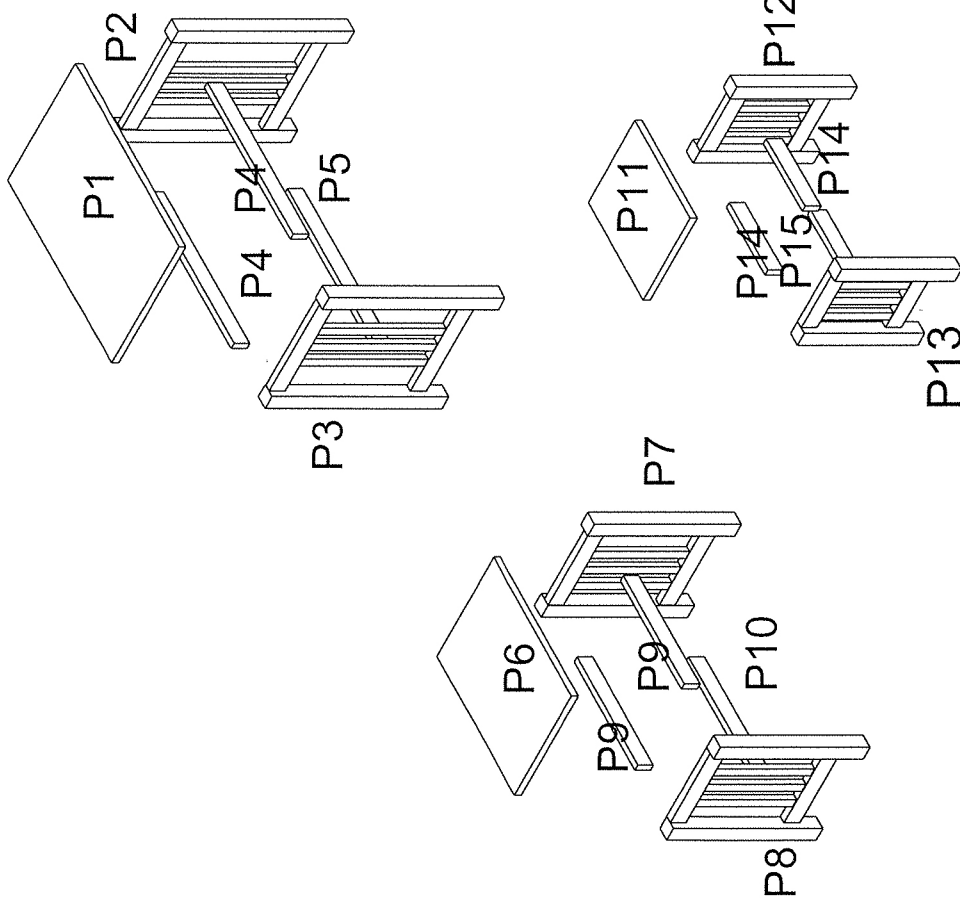
The head of the bolt goes into the wide mouth of the cam nut. You then turn the nut so the narrow part closes over the bolt.

TWO PERSONS REQUIRED TO ASSEMBLE THIS PRODUCT





1. Please check that you have all the parts listed before you start assembling. If you do find that something is missing, do not continue assembly. Please contact your supplier immediately.
2. Lay out all of the components on a soft surface as if you were preparing to do a jigsaw puzzle.
3. Separate and identify each component from the hardware pack and rest each one in its proper location before fastening.
4. **DO NOT** set glue until you are certain that the parts belong together.

PARTS LIST

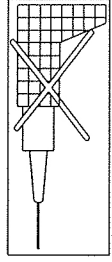
P1	LARGE TOP PANEL	1 PC
P2	LARGE RIGHT HAND SIDE PANEL	1 PC
P3	LARGE LEFT HAND SIDE PANEL	1 PC
P4	LARGE FRONT/BACK HIGH CROSS BAR	2 PCS
P5	LARGE BACK LOW CROSS BAR	1 PC
P6	MEDIUM TOP PANEL	1 PC
P7	MEDIUM RIGHT HAND SIDE PANEL	1 PC
P8	MEDIUM LEFT HAND SIDE PANEL	1 PC
P9	MEDIUM FRONT/BACK HIGH CROSS BAR	2 PCS
P10	MEDIUM BACK LOW CROSS BAR	1 PC
P11	SMALL TOP PANEL	1 PC
P12	SMALL RIGHT HAND SIDE PANEL	1 PC
P13	SMALL LEFT HAND SIDE PANEL	1 PC
P14	SMALL FRONT/BACK HIGH CROSS BAR	2 PCS
P15	SMALL BACK LOW CROSS BAR	1 PC



HARDWARE LIST

1		Ø 8 X 25MM DOWEL	36 PCS
2		Ø 15 X 12MM CAM NUT	36 PCS
3		Ø 6.5 X 35MM CAM BOLT	36 PCS
4		GLUE	1 PC

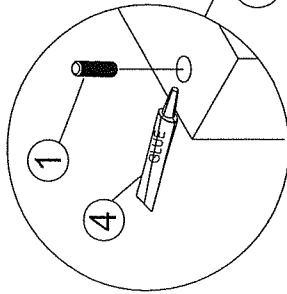
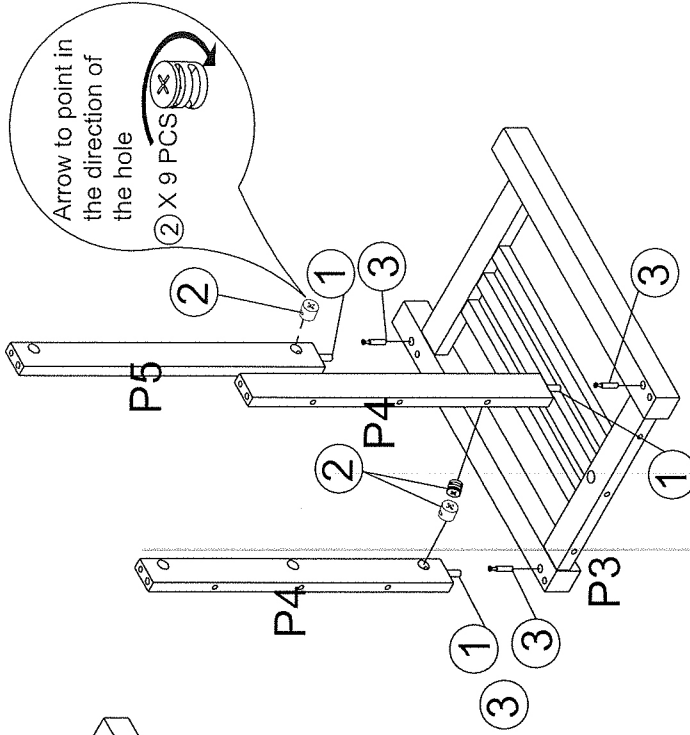
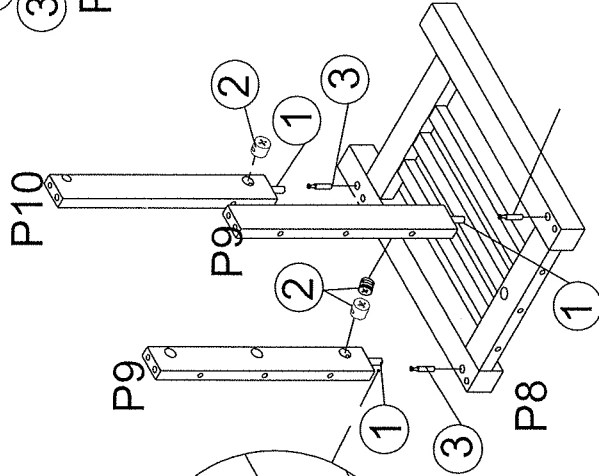
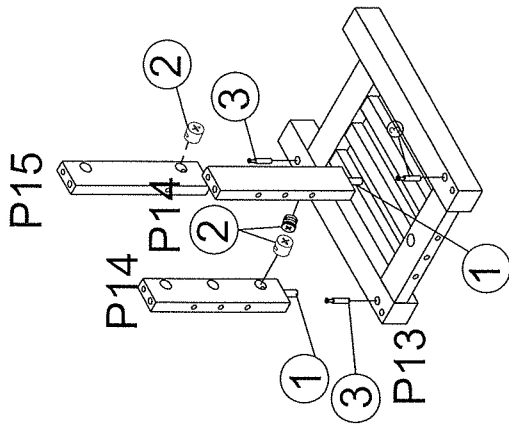
THE USE OF POWER TOOLS TO ASSEMBLE THIS PRODUCT WILL INVALIDATE ANY CLAIM AND MAY DAMAGE THIS PRODUCT MAKING IT UNSAFE.



STEP 1

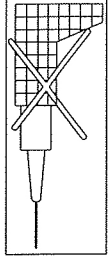
YOU WILL NEED:-

①	9 PCS	②	9 PCS
③	9 PCS	④	1 PC



When inserting the cam nuts, rotate the cam nuts so the arrow points towards the incoming cam bolts.

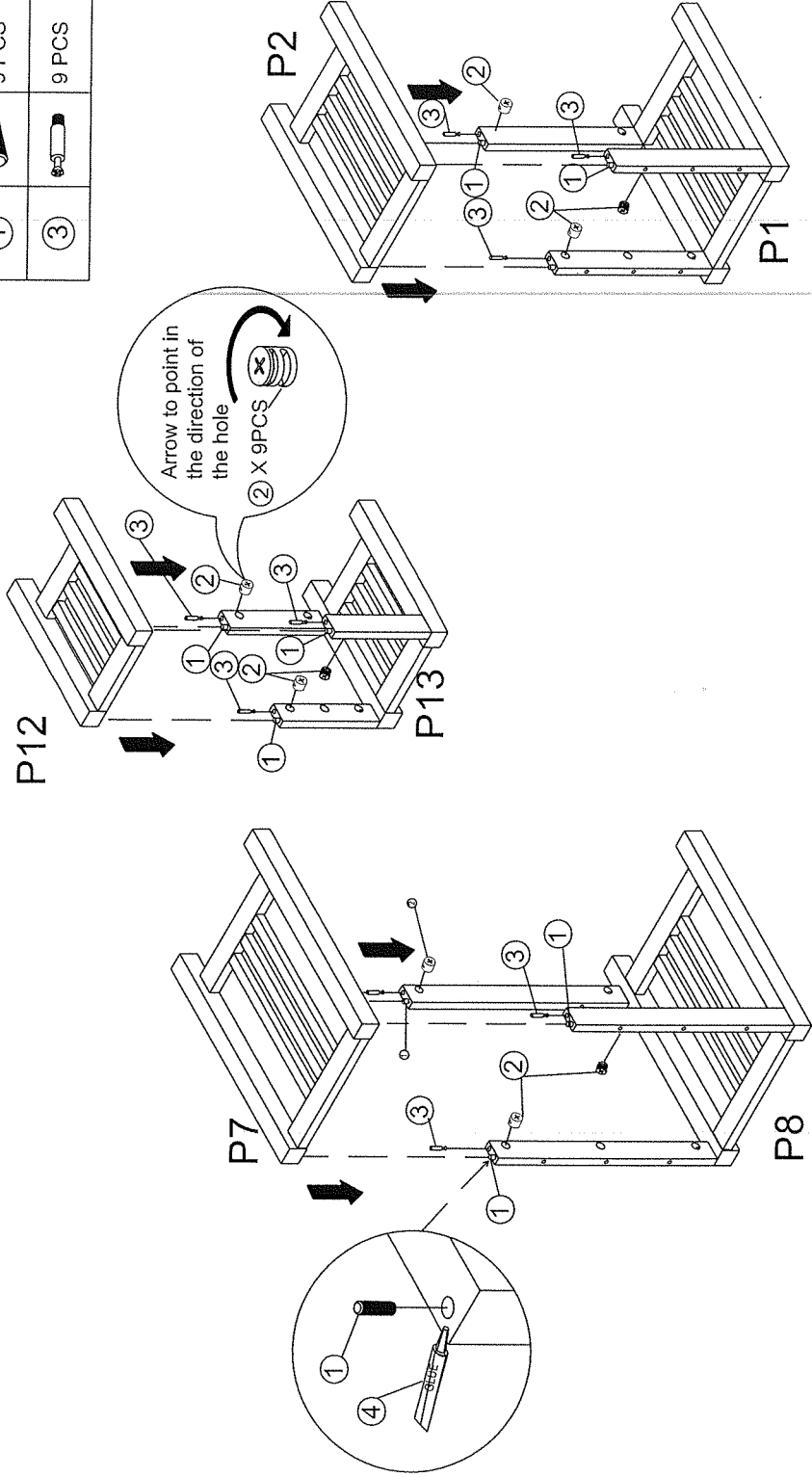
THE USE OF POWER TOOLS TO ASSEMBLE THIS PRODUCT WILL INVALIDATE ANY CLAIM AND MAY DAMAGE THIS PRODUCT MAKING IT UNSAFE.



STEP 2

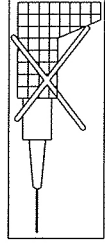
YOU WILL NEED:-

①	9 PCS	②	9 PCS
③	9 PCS	④	1 PC





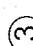
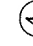
When inserting the cam nuts, rotate the cam nuts so the arrow points towards the incoming cam bolts.

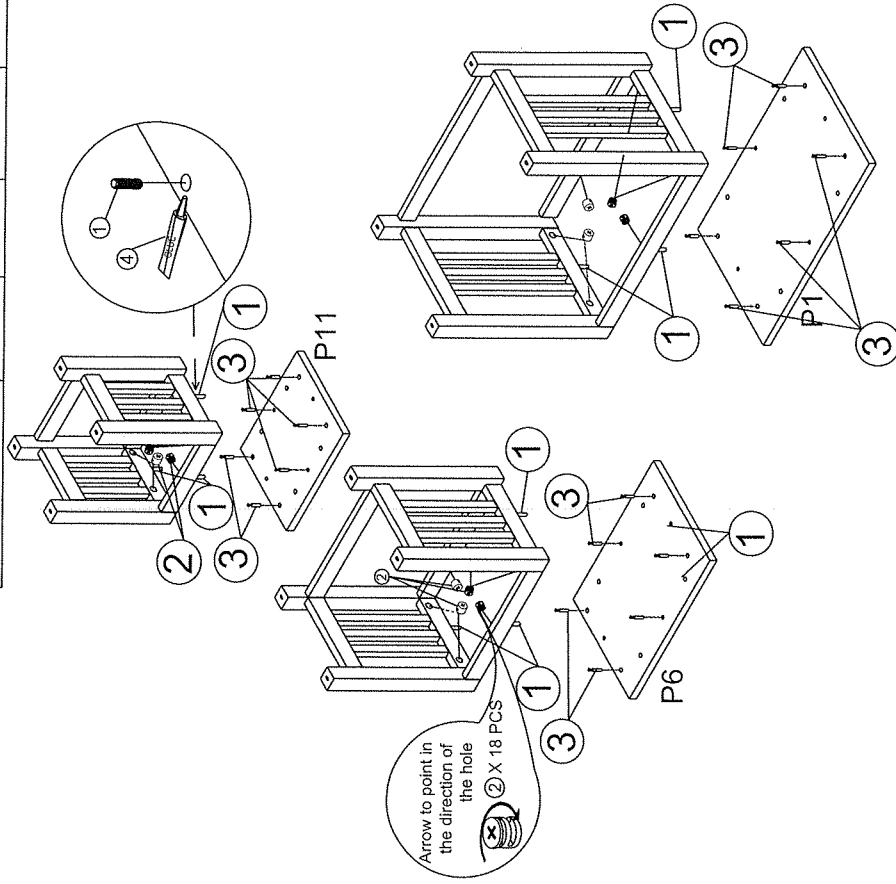
THE USE OF POWER TOOLS TO ASSEMBLE THIS PRODUCT WILL INVALIDATE ANY CLAIM AND MAY DAMAGE THIS PRODUCT MAKING IT UNSAFE.



STEP 3

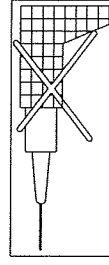
YOU WILL NEED:-

 ①	18 PCS	 ②	18 PCS
 ③	18 PCS	 ④	1 PC

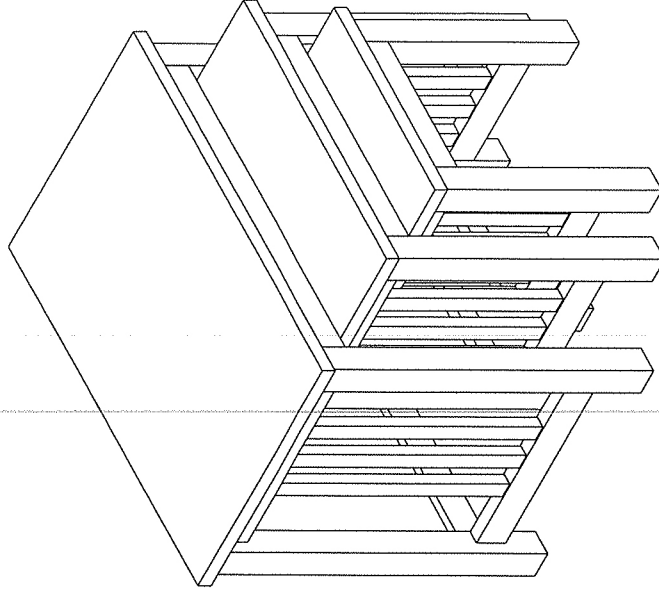


When inserting the cam nuts, rotate the cam nuts so the arrow points towards the incoming cam bolts.

THE USE OF POWER TOOLS TO ASSEMBLE THIS PRODUCT WILL INVALIDATE ANY CLAIM AND MAY DAMAGE THIS PRODUCT MAKING IT UNSAFE.



STEP 4



ASSEMBLY COMPLETE