

ASSEMBLY INSTRUCTIONS
CORONA SMALL SIDEBORD

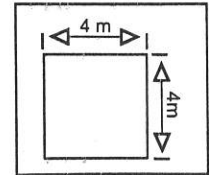
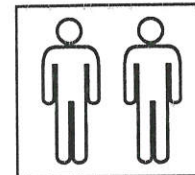
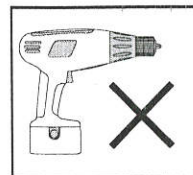
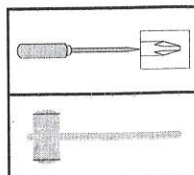
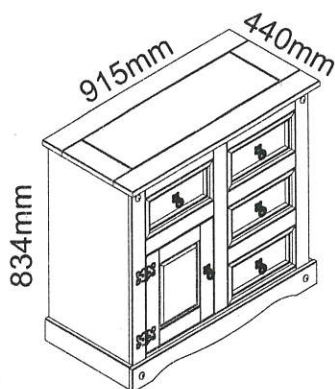
IMPORTANT
READ THESE INSTRUCTIONS CAREFULLY BEFORE ASSEMBLING OR USING
YOUR CORONA SMALL SIDEBORD
PLEASE KEEP THESE INSTRUCTIONS FOR FUTURE REFERENCE.

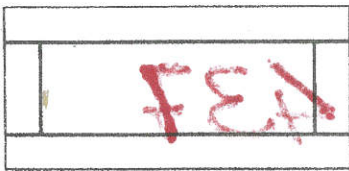
HEALTH & SAFETY:

DO NOT use this item if any parts are missing, damaged or worn.
DO NOT use this item unless all fixings are secured.
Please keep small parts out of reach of children.
Always use on a level, even surface.
It is recommended that two people handle and assemble the item.

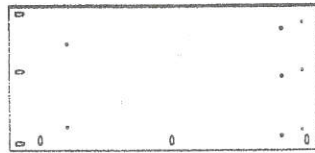
CARE & MAINTENANCE:

Assemble in the room of use.
To avoid damages assemble the item on a soft, clean surface
Periodically check all screws & fixings to ensure they are secure.
DO NOT push the item as this will damage the base.
Always lift the item with two people to reposition.
Keep any sharp objects away from the item.
This product is manufactured in pine which is a wood with natural characteristics including knots, grains, clusters or indentations.
On unpacking the item you may notice an odour due to production processes but this will disappear after a period of time.
DO NOT place the item next to a radiator or direct sunlight – this item is susceptible to temperature change.
It is recommended an even room temperature be maintained with no sudden fluctuations.
DO NOT place hot or cold items directly onto the surface of the item as marking will occur
For general cleaning use a duster or damp cloth (almost dry) not wet – do not use soap and water, detergents, aerosol sprays or any polish as use of these materials would invalidate any claims.
DO NOT place the item onto wet or damp flooring as staining may occur to the floor.

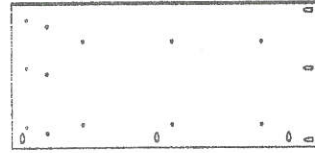




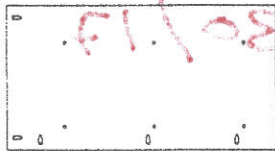
1 Top panel (91,5x44cm)



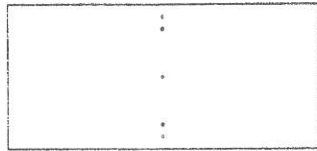
2 Left side panel (81,6x39,2cm)



3 Right side panel (81,6x39,2cm)



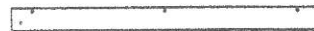
4 Division (71,3x38,7cm)



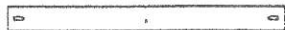
5 Base panel (82,3x38,7cm)



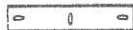
6 Left front frame (81,6x6,3cm)



7 Right front frame (81,6x6,3cm)



8 Bottom front frame (73,3x6,5cm)



10 Top front frame x2 (33,4x6,5cm)



12 Front plinth (89,2x9,2cm)



9 Vertical front frame (71,1x6,5cm)



11 Centre front frame x3 (33,4x6,5cm)



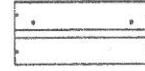
13 Side plinth x2 (40,8x9,2cm)



14 Side Runners x4 (34,1x5,5cm)



16 Drawer Front x4 (32,8x16,6cm)



17 Drawer Side x8 (36x16,5cm)



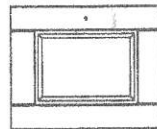
15 Centre Runners x4 (34,1x3,5cm)



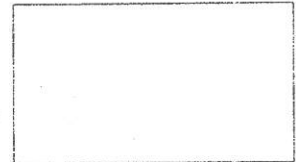
18 Drawer Back x4 (29,6x16,5cm)



19 Drawer Bottom x4 (34,4x31cm)



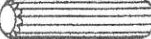











20 Door (40,3x33cm)

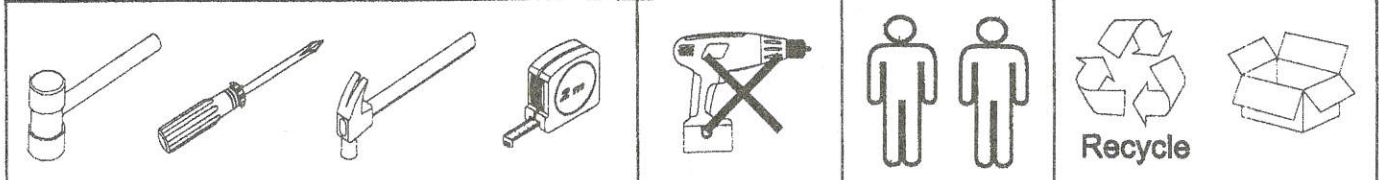


21 Back panel x2 (74,2x42,1cm)

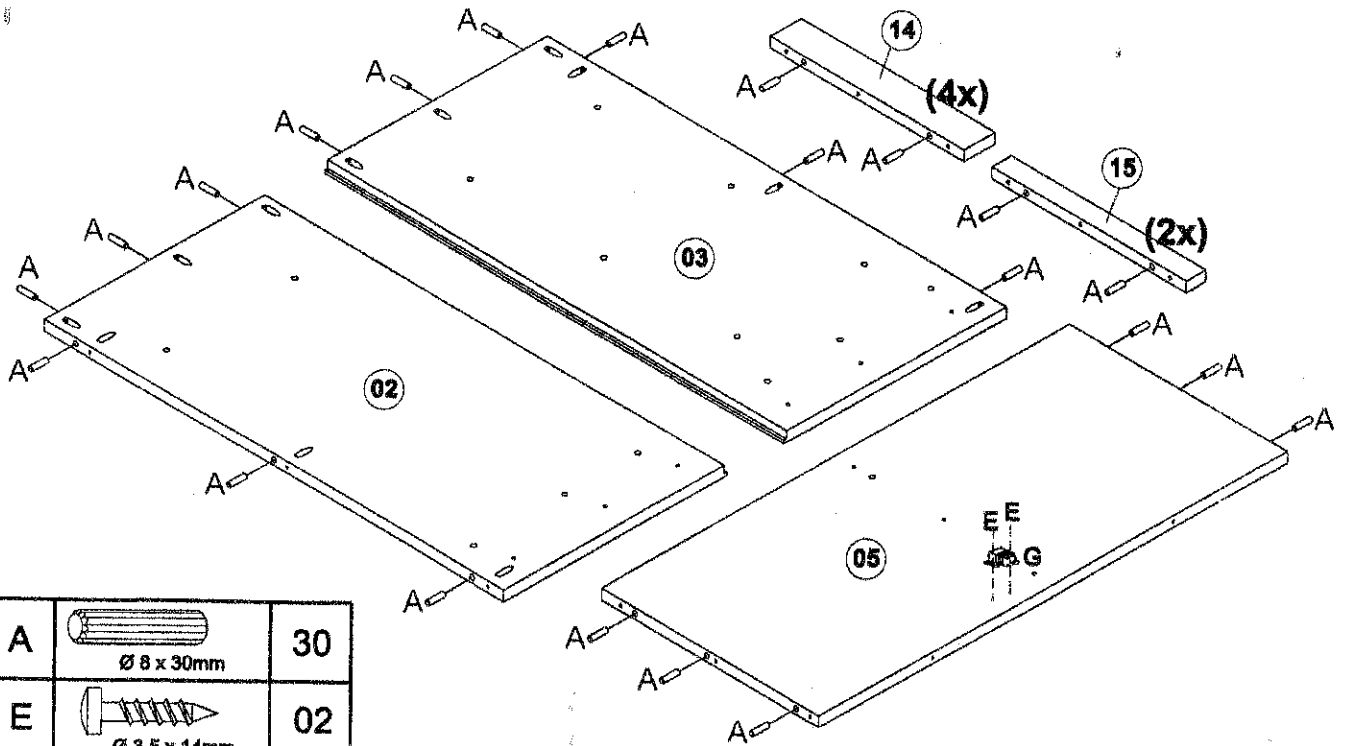
HARDWARE LIST


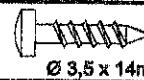

Part	Item	Qty	Part	Item	Qty
A	Wooden Dowell 	71	G		1
B	Wooden Dowell 	2	H	16mm Screw 	5
C	40mm Screw 	3	I	Nail 	44
D	30mm Screw 	73	J		5
E	14mm Screw 	16	K	Round Metal Stud 	4
F		2	L	30mm Screw 	32

You will need a small mallet and a screwdriver

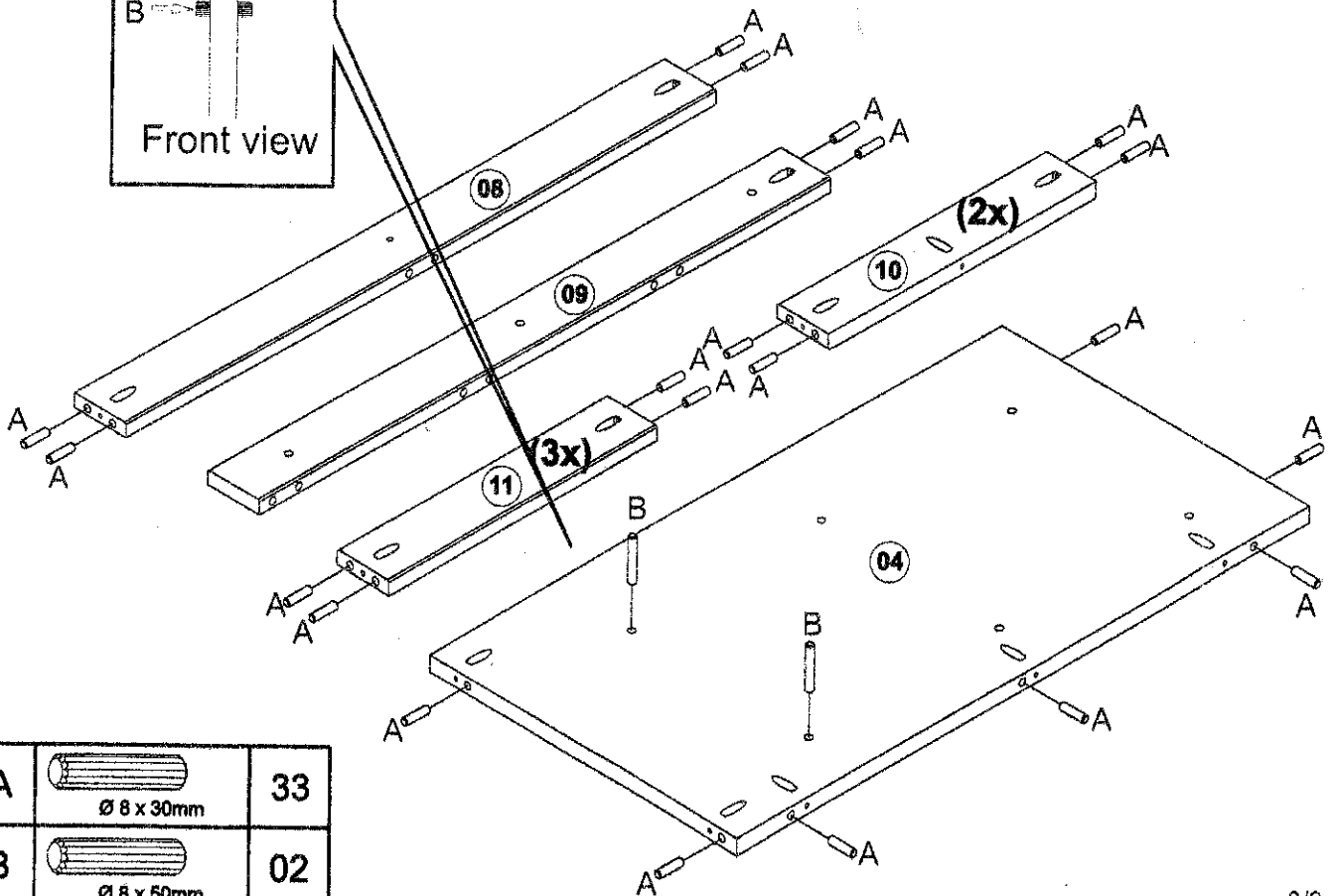
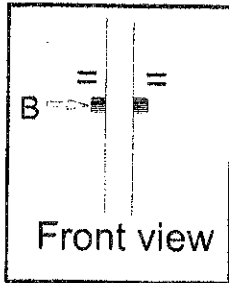


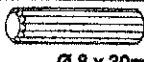
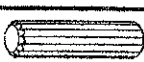
01



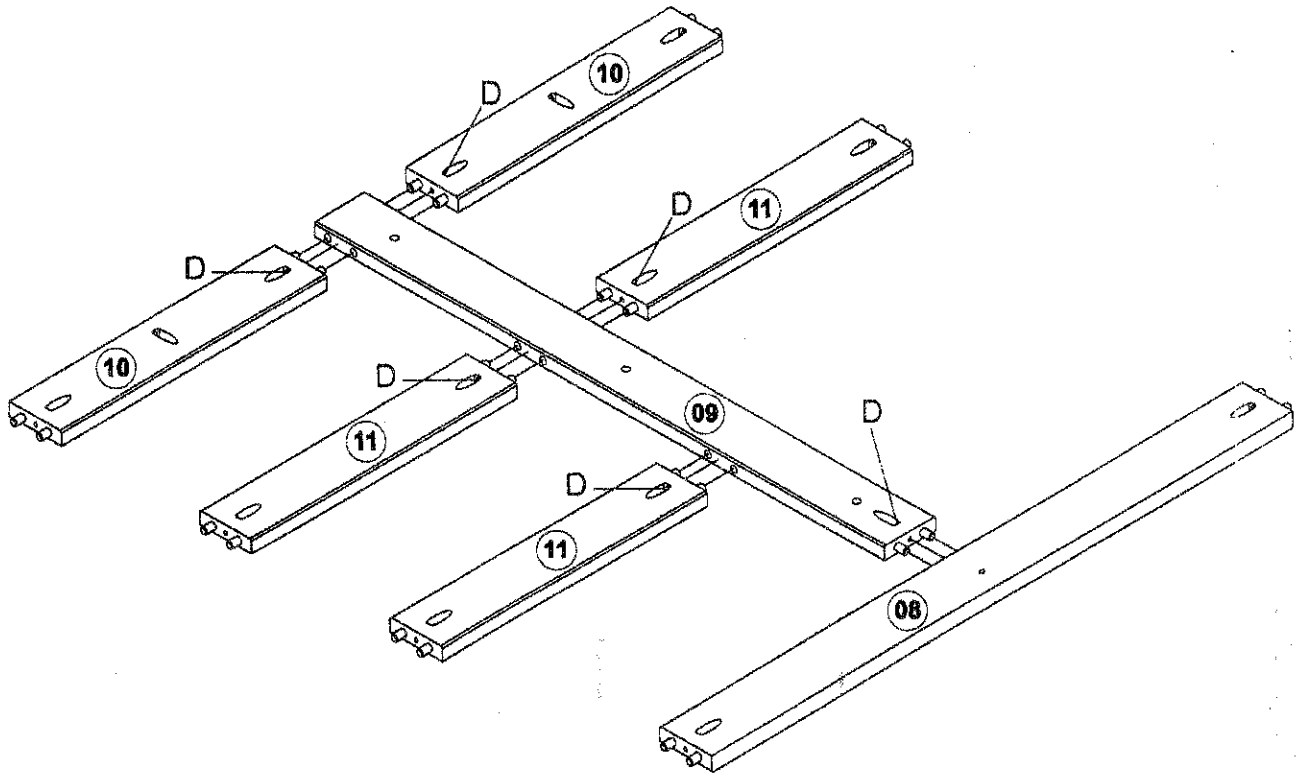
A		30
E		02
G		01

02

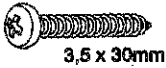


A		33
B		02

03



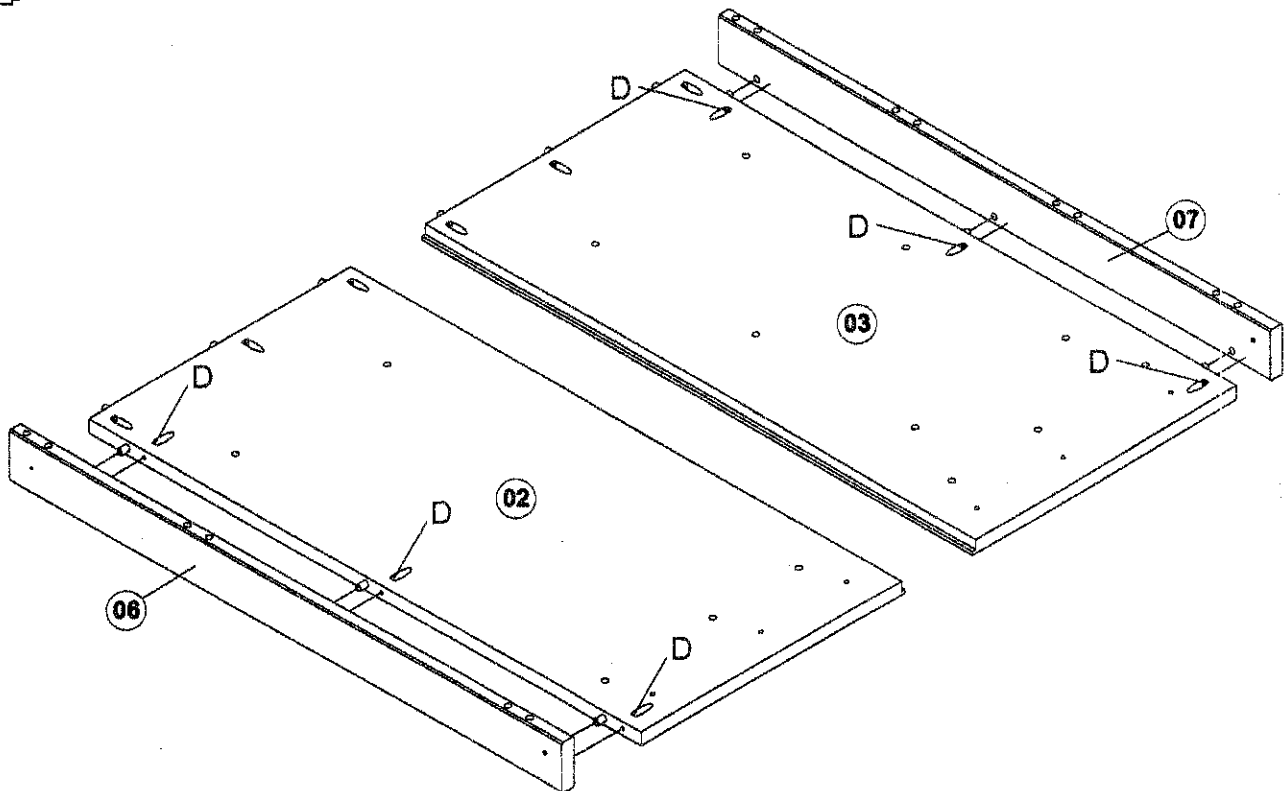
D



3,5 x 30mm

06

04



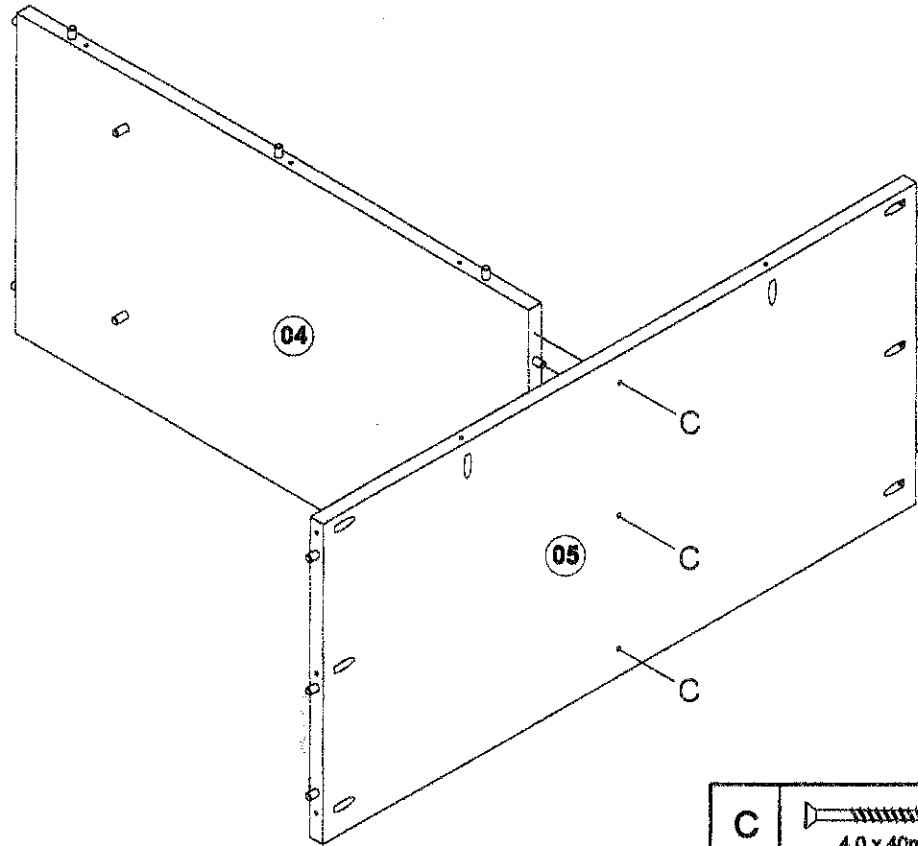
D

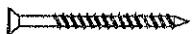


3,5 x 30mm

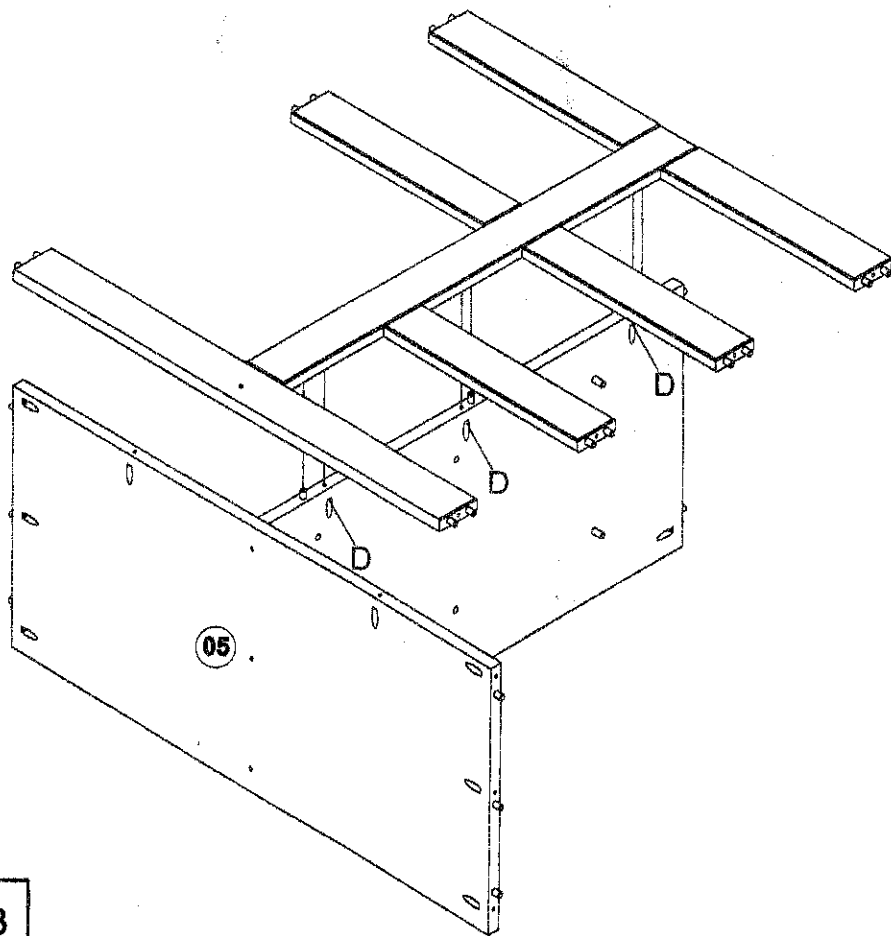
06

05



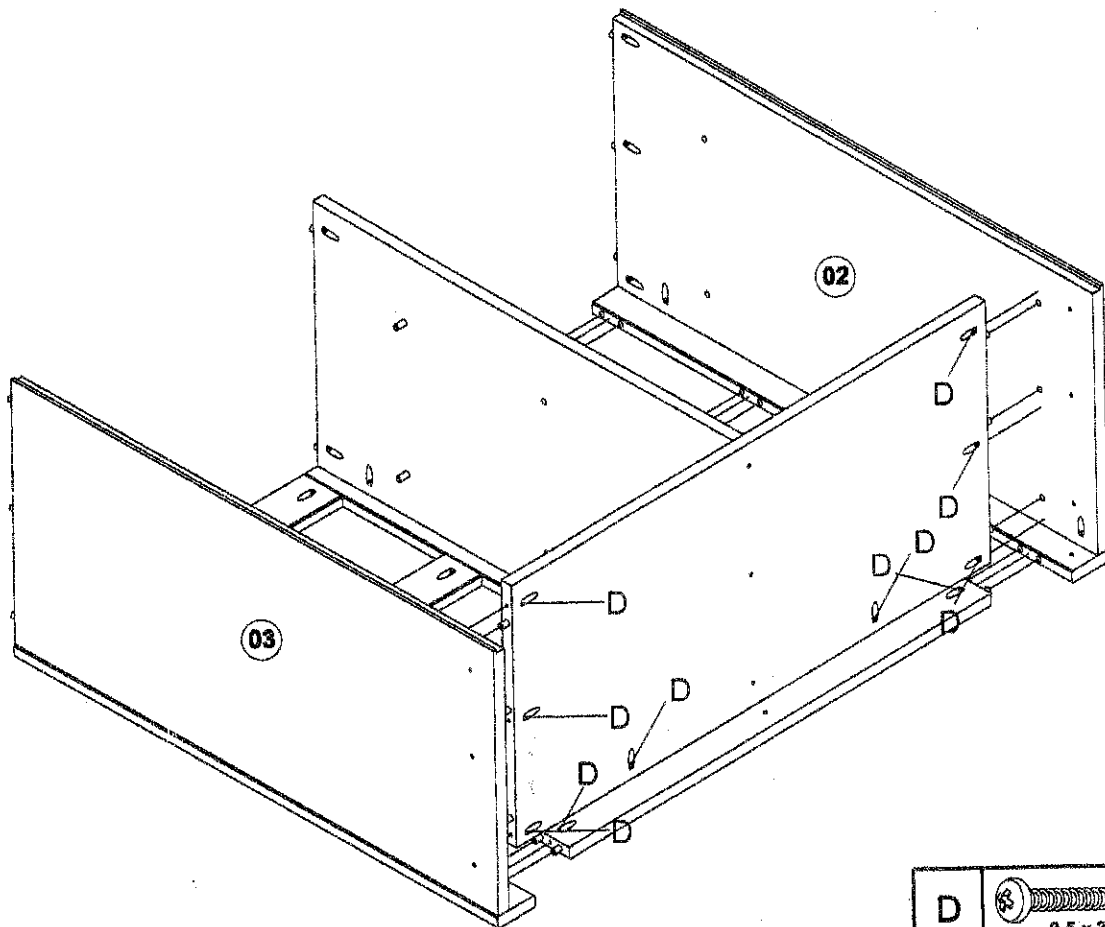
C		03
4,0 x 40mm		

06

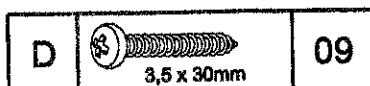
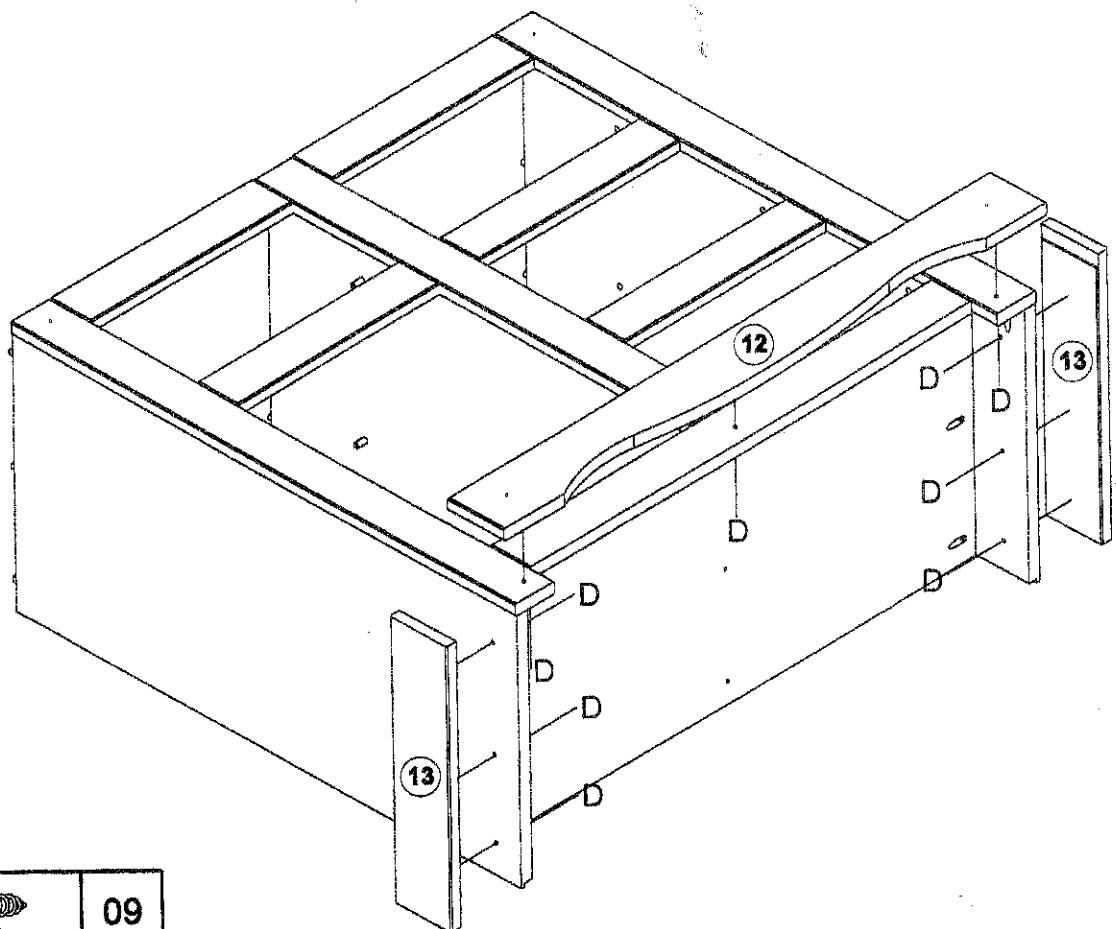


D		03
3,5 x 30mm		

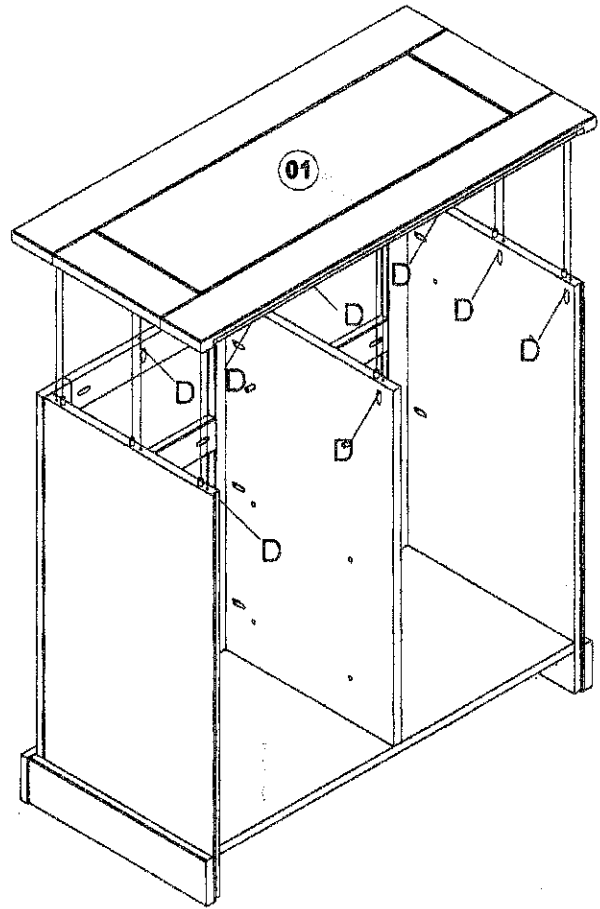
07




08

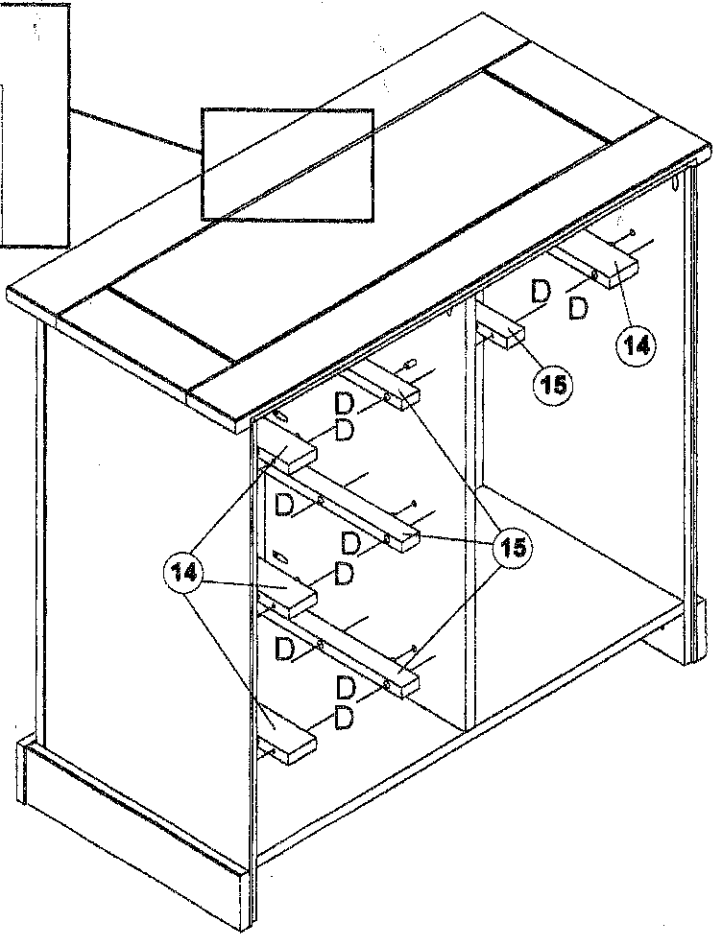
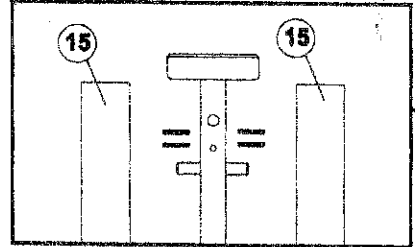


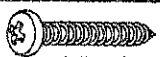
09



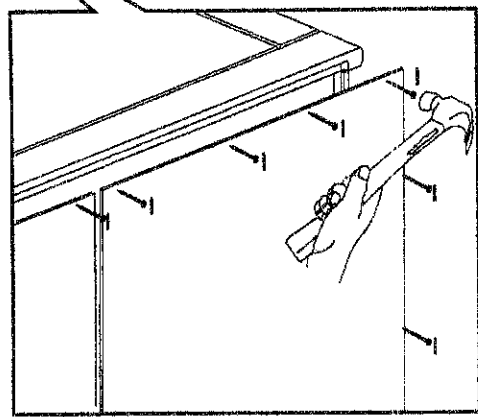
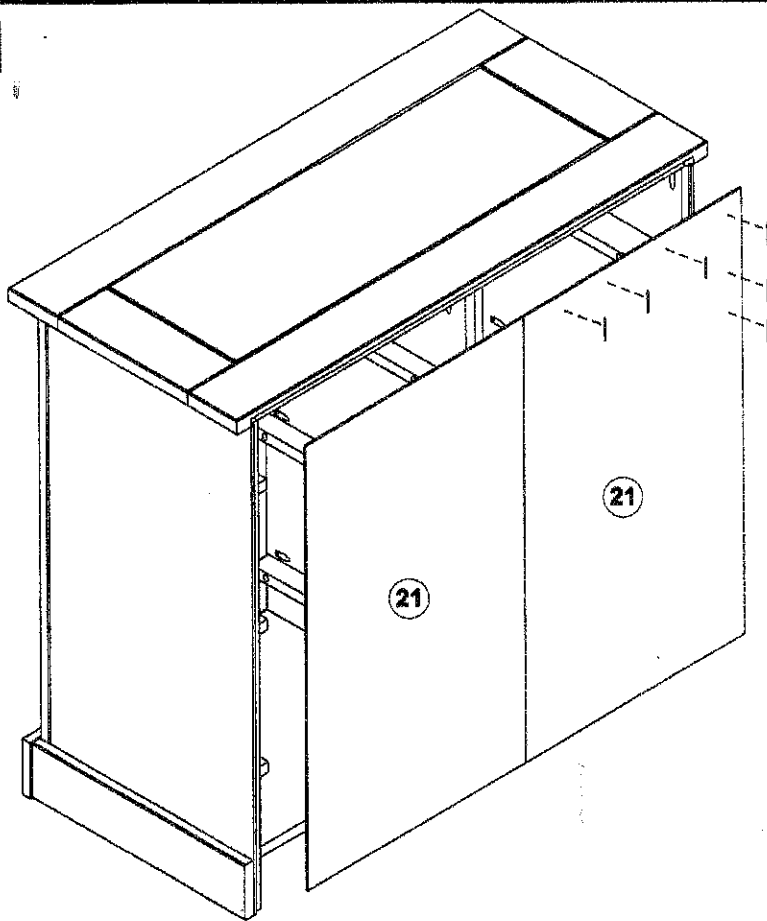
D		10
3,5 x 30mm		

10



D		24
3,5 x 30mm		

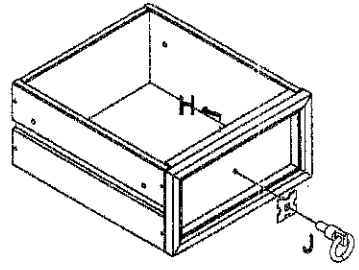
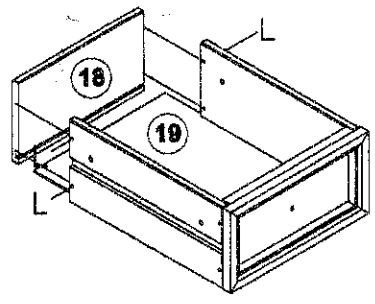
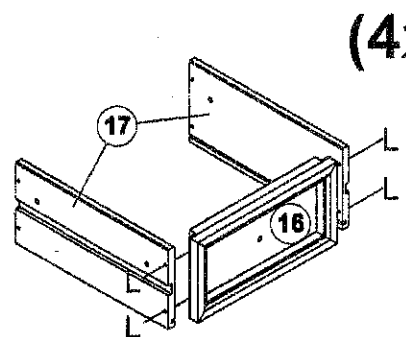
11

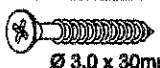


I		10x10mm	44
---	--	---------	----


12

(4x)

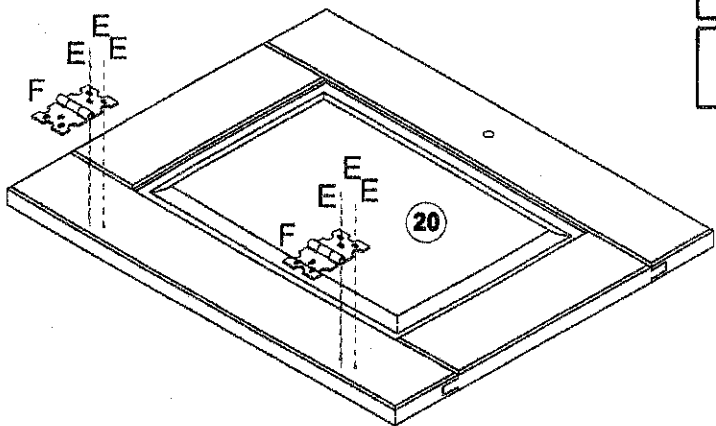


L		Ø 3,0 x 30mm	32
---	---	--------------	----

J		04
---	---	----

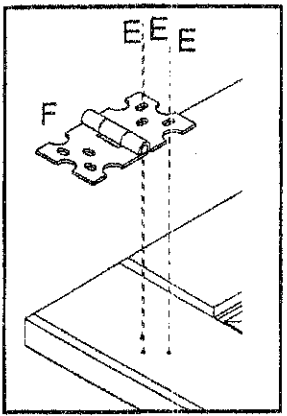
H		Ø 3/16 x 5/8mm	04
---	---	----------------	----

13

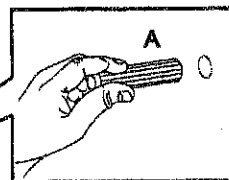
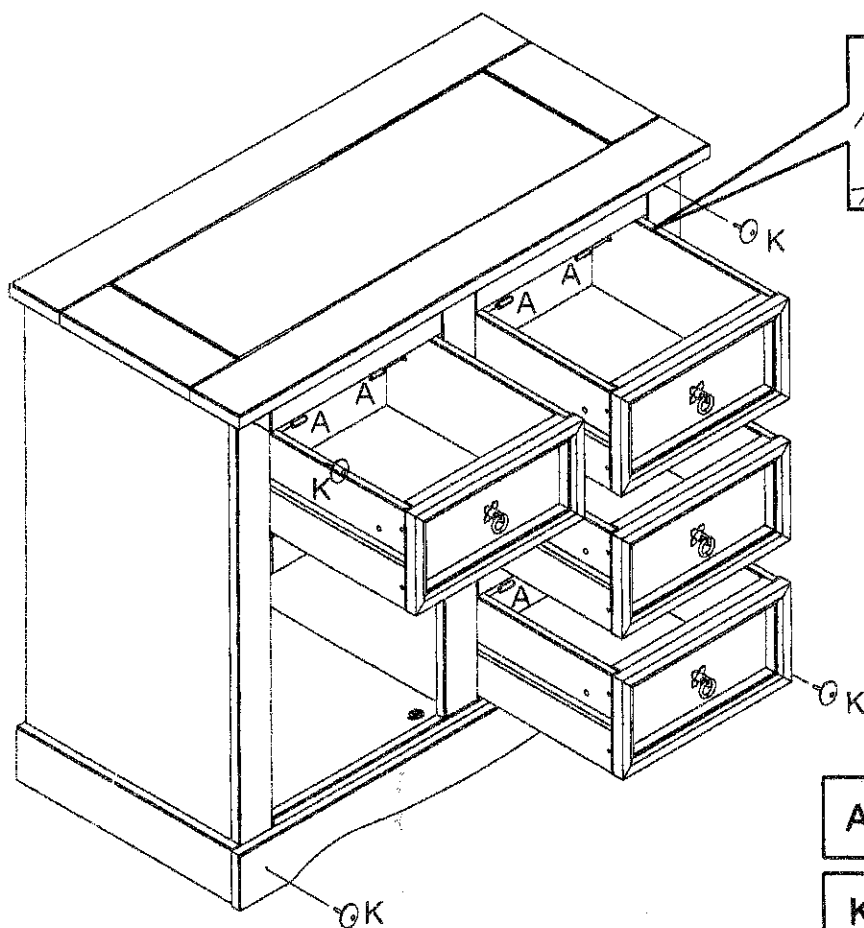


E		Ø 3,5 x 14mm	06
---	--	--------------	----

F		02
---	--	----

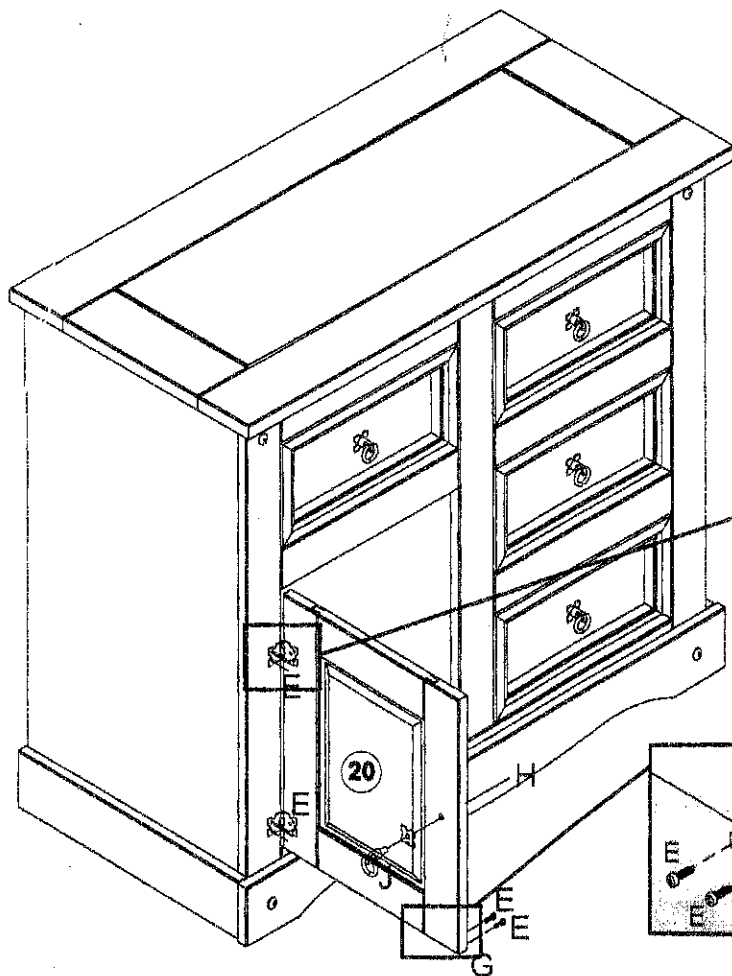


14



A	$\varnothing 8 \times 30\text{mm}$	08
K		04

15



E	$\varnothing 3,5 \times 14\text{mm}$	08
G		01
H	$\varnothing 3/16 \times 5/8\text{mm}$	01
J		01

