

333438



### ASSEMBLY INSTRUCTIONS

### CORONA 2 DOOR 1 SHELF FLAT SCREEN TV UNIT

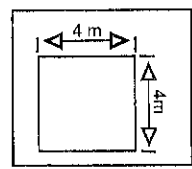
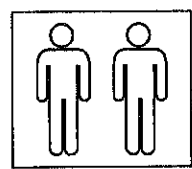
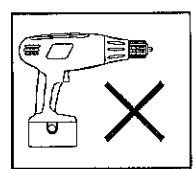
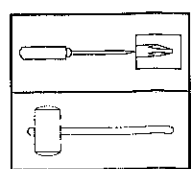
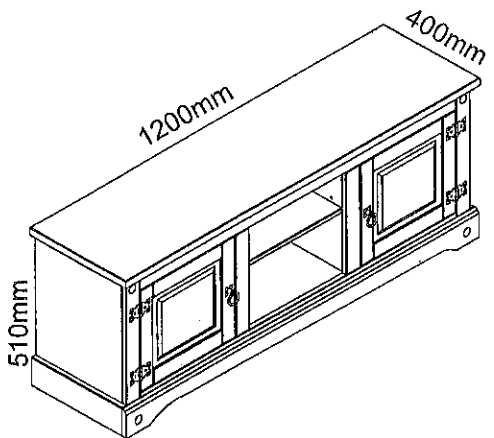
**IMPORTANT**  
**READ THESE INSTRUCTIONS CAREFULLY BEFORE ASSEMBLING OR USING YOUR CORONA 2 DOOR 1 SHELF FLAT SCREEN TV UNIT PLEASE KEEP THESE INSTRUCTIONS FOR FUTURE REFERENCE.**

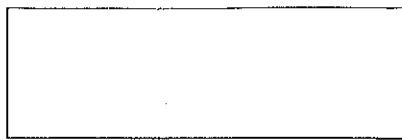
#### HEALTH & SAFETY:

DO NOT use this item if any parts are missing, damaged or worn.  
DO NOT use this item unless all fixings are secured.  
Please keep small parts out of reach of children.  
Always use on a level, even surface.  
It is recommended that two people handle and assemble the item.

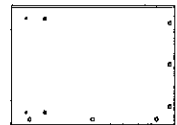
#### CARE & MAINTENANCE:

Assemble in the room of use.  
To avoid damages assemble the item on a soft, clean surface  
Periodically check all screws & fixings to ensure they are secure.  
DO NOT push the item as this will damage the base.  
Always lift the item with two people to reposition.  
Keep any sharp objects away from the item.  
This product is manufactured in pine which is a wood with natural characteristics including knots, grains, clusters or indentations.  
On unpacking the item you may notice an odour due to production processes but this will disappear after a period of time.  
DO NOT place the item next to a radiator or direct sunlight – this item is susceptible to temperature change. It is recommended an even room temperature be maintained with no sudden fluctuations.  
DO NOT place hot or cold items directly onto the surface of the item as marking will occur  
For general cleaning use a duster or damp cloth (almost dry) not wet – do not use soap and water, detergents, aerosol sprays or any polish as use of these materials would invalidate any claims.  
DO NOT place the item onto wet or damp flooring as staining may occur to the floor.

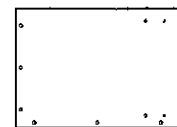




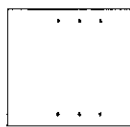
1 Top panel(120 x 40cm)



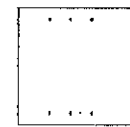
2 Left side panel(49,4 x 36,4cm)



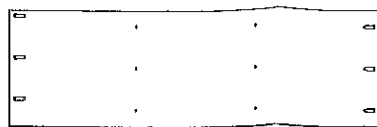
3 Right side panel(49,4 x 36,4cm)



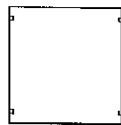
4 Left Middle panel(38,4 x 35,9cm)



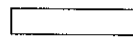
5 Right Middle panel(38,4 x 35,9cm)



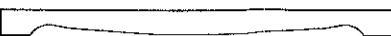
6 Base panel(112,8 x 35,9cm)



7 Self panel(34,2 x 35,9cm)



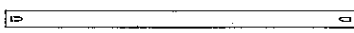
8 Side plinth x 2 (38 x 8,9cm)



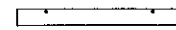
9 Front plinth(119,4 x 9cm)



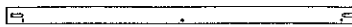
10 Back panel x 2 (39,4 x 40,2cm)



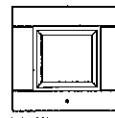
11 Top front frame(106 x 5cm)



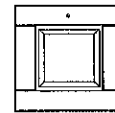
12 Middle front frame x 2 (33,4 x 3cm)



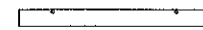
13 Base front frame(106 x 5cm)



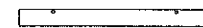
14 Left door (32,8 x 32,3cm)



15 Right door (32,8 x 32,3cm)












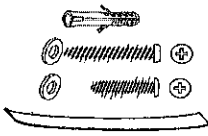






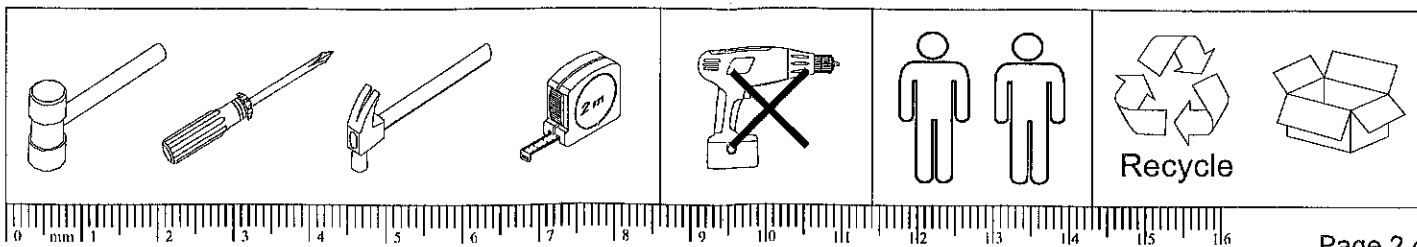
16 Left front frame(49,4 x 5cm)



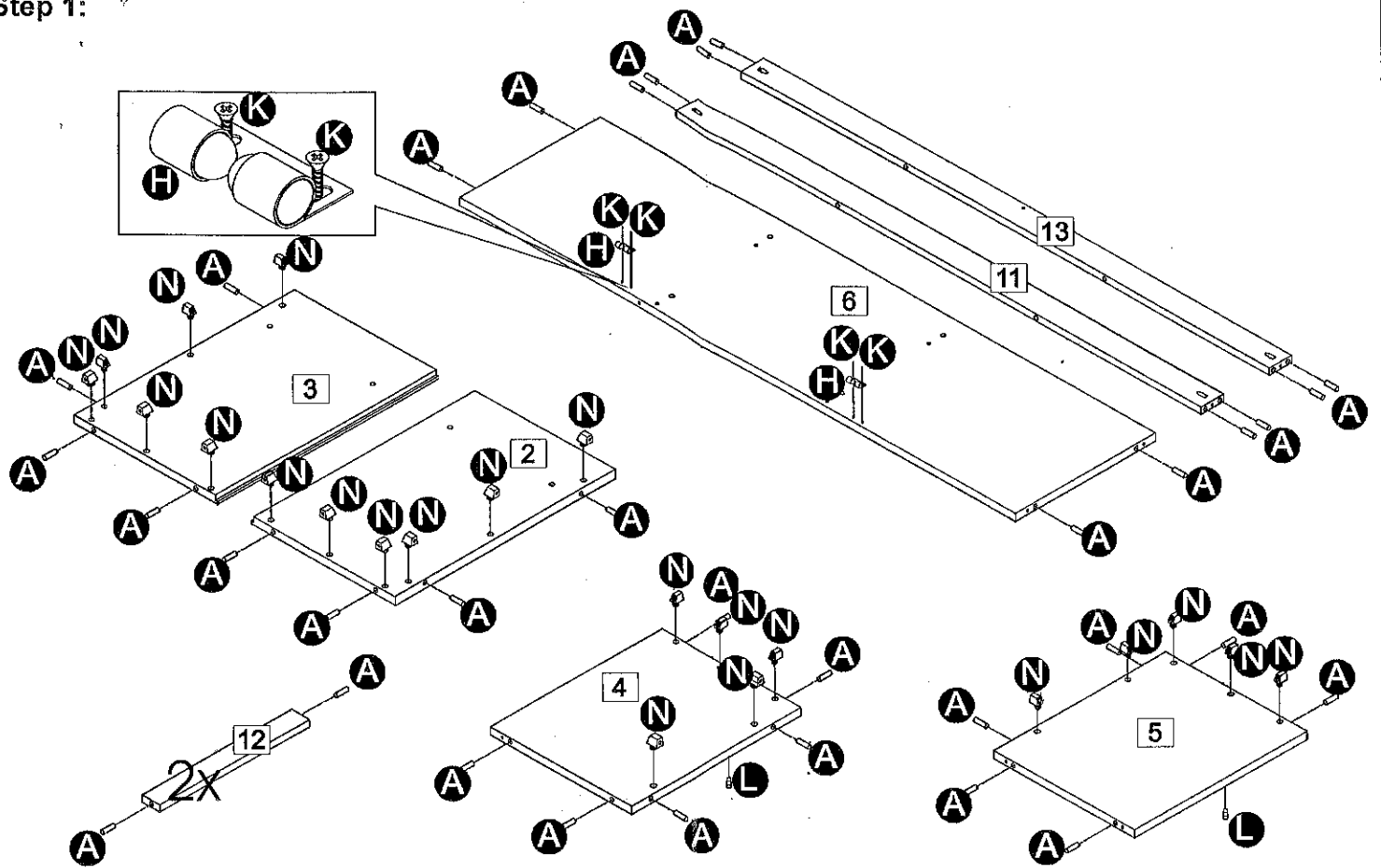
17 Right front frame(49,4 x 5cm)

### HARDWARE LIST

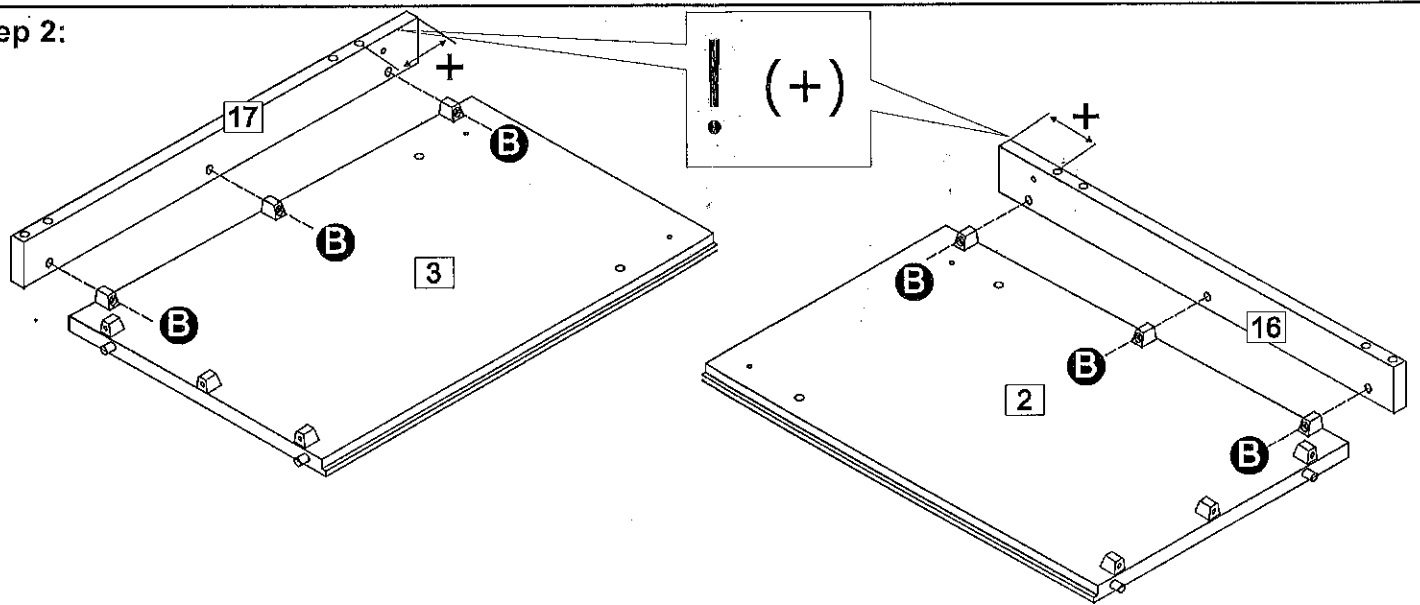
Part	Item	Qty	Part	Item	Qty
<b>A</b>	Wooden dowel 	36	<b>K</b>	16mm Screw Black 	08
<b>B</b>	28mm Screw 	41	<b>L</b>	Support shelf 	04
<b>C</b>	25mm Screw 	04	<b>M</b>	19mm Screw 	02
<b>D</b>	14mm Screw Black 	26	<b>N</b>	Trapeze 	22
<b>E</b>	Round metal stud 	04	<b>O</b>	Backed Corner 	01
<b>F</b>	Drawer handle 	02	<b>Y</b>		01
<b>G</b>	Door catch 	02			
<b>H</b>	Closing ball 	02	<b>Z</b>	Nail 	36
<b>J</b>	Hinge Black 	04	You will need a small mallet and a screwdriver.		



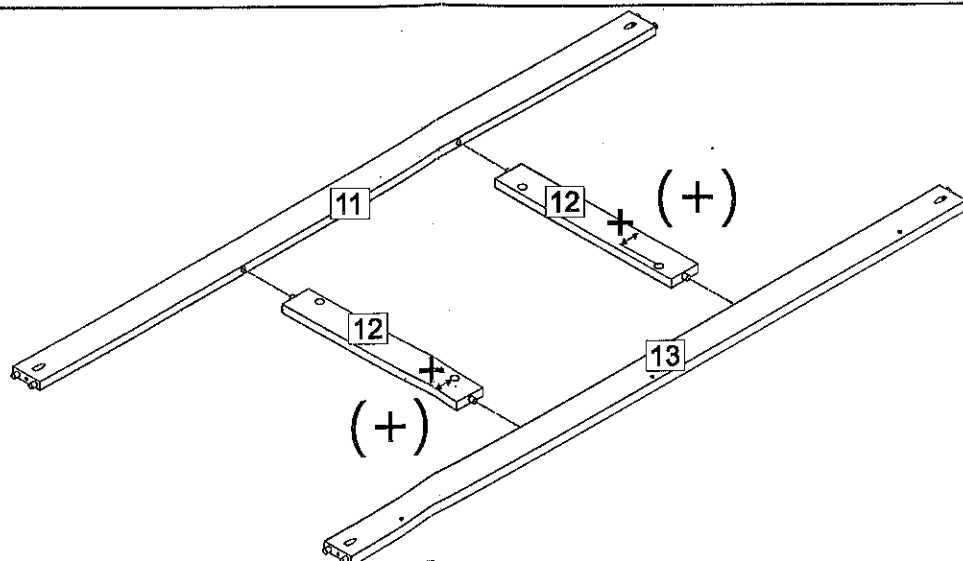
Step 1:



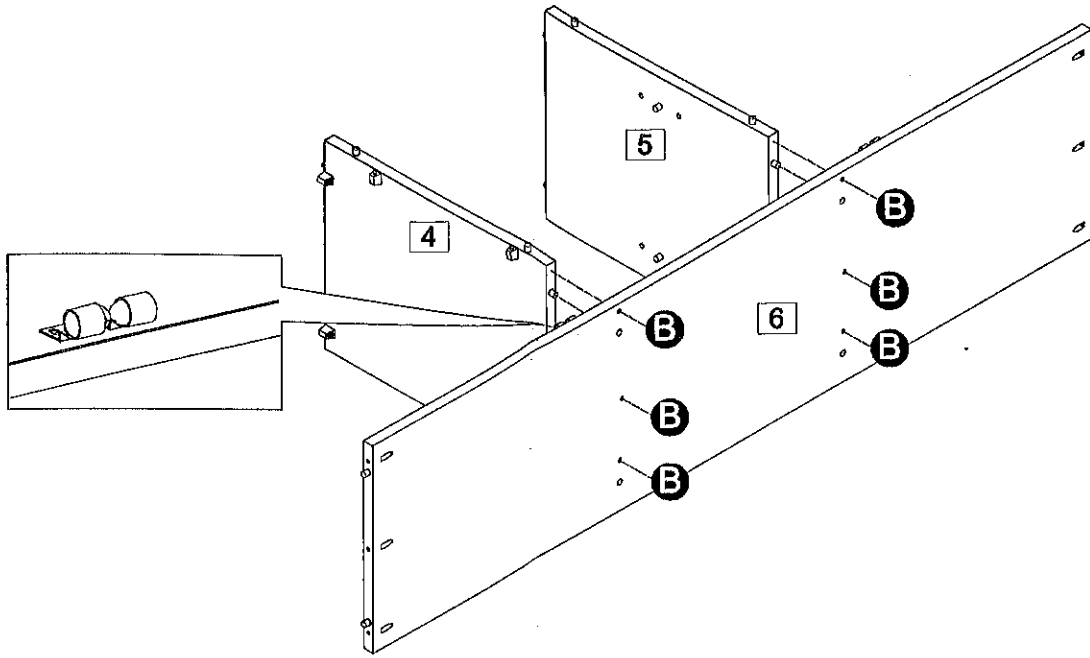
Step 2:



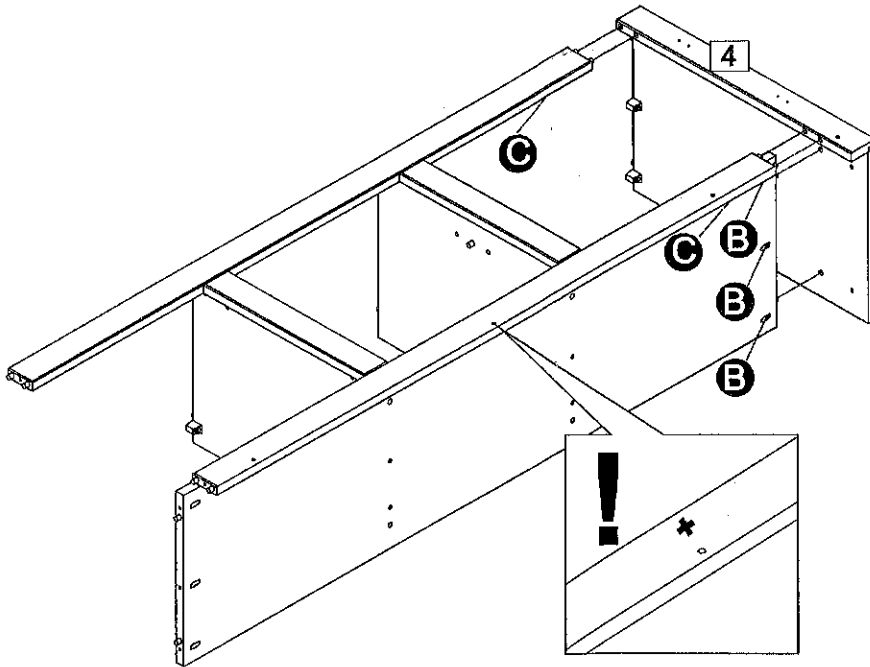
Step 3:



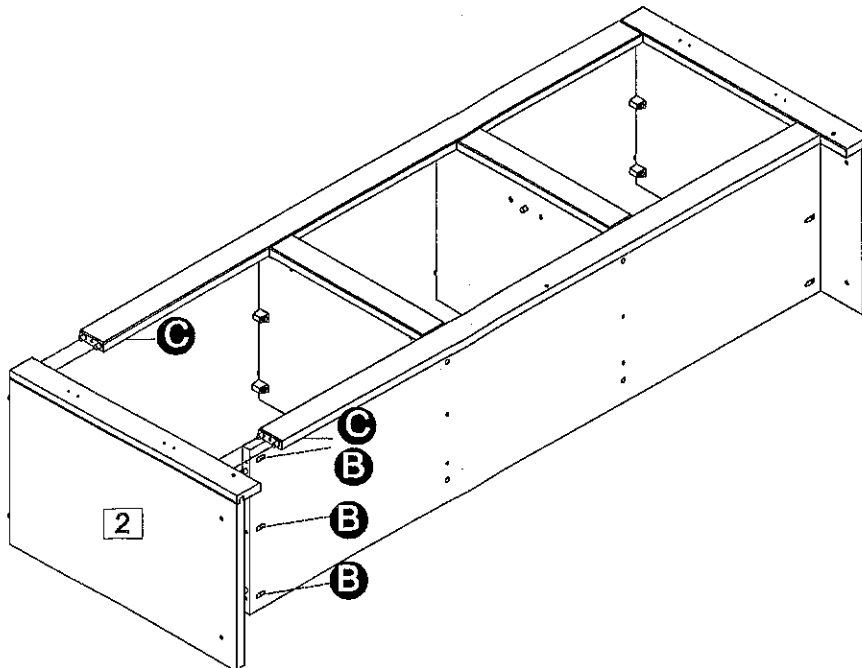
Step 4:



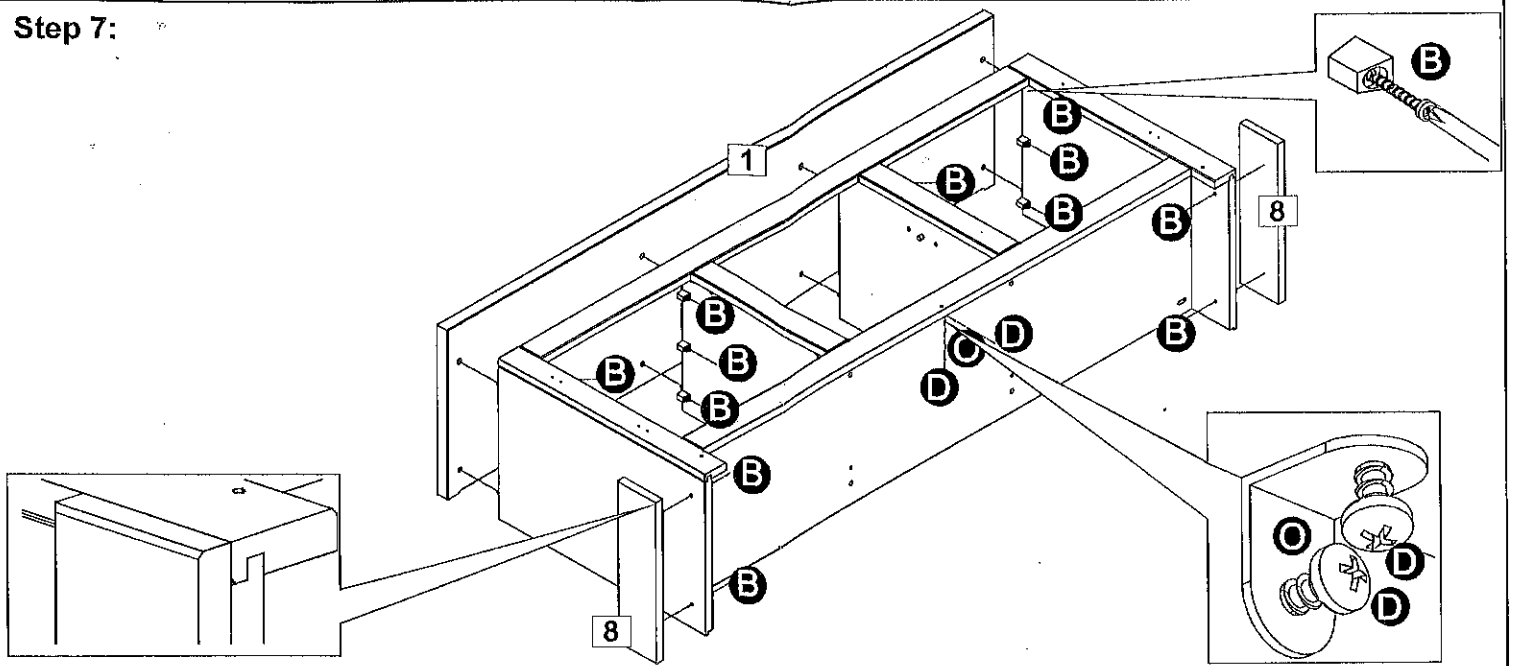
Step 5:



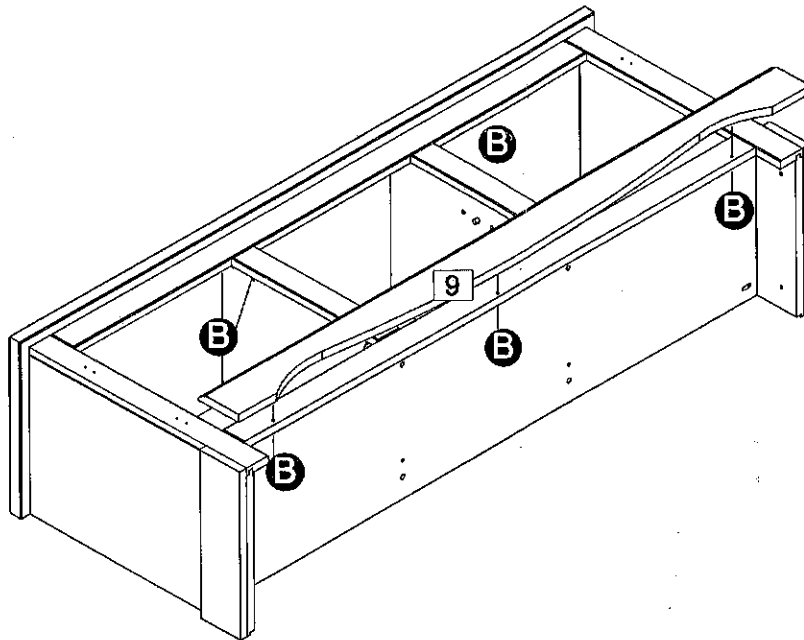
Step 6:



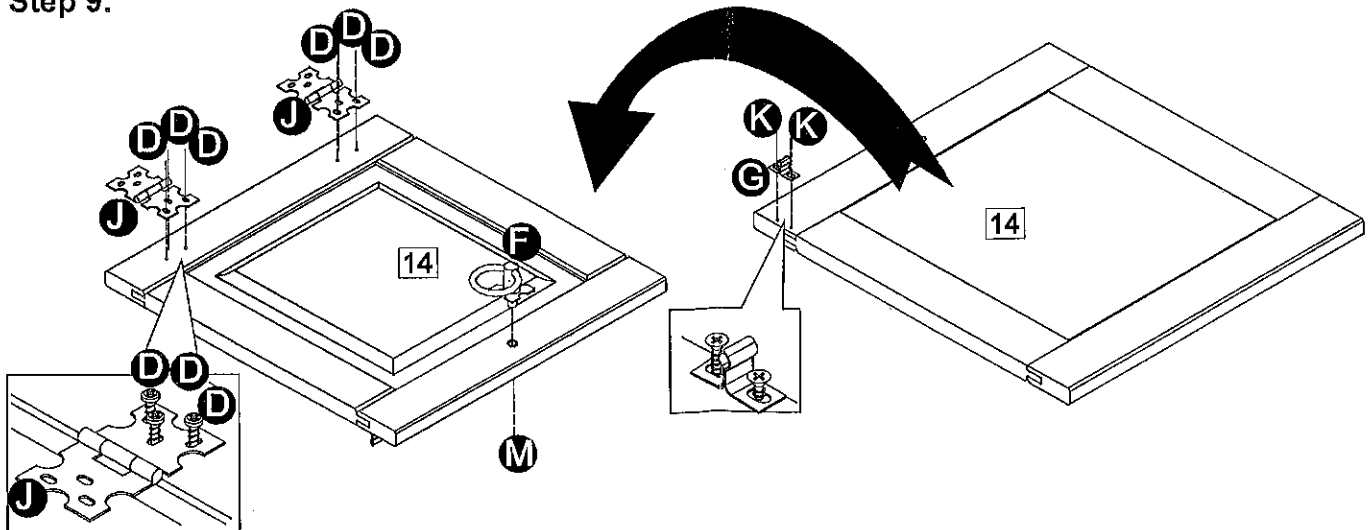
Step 7:



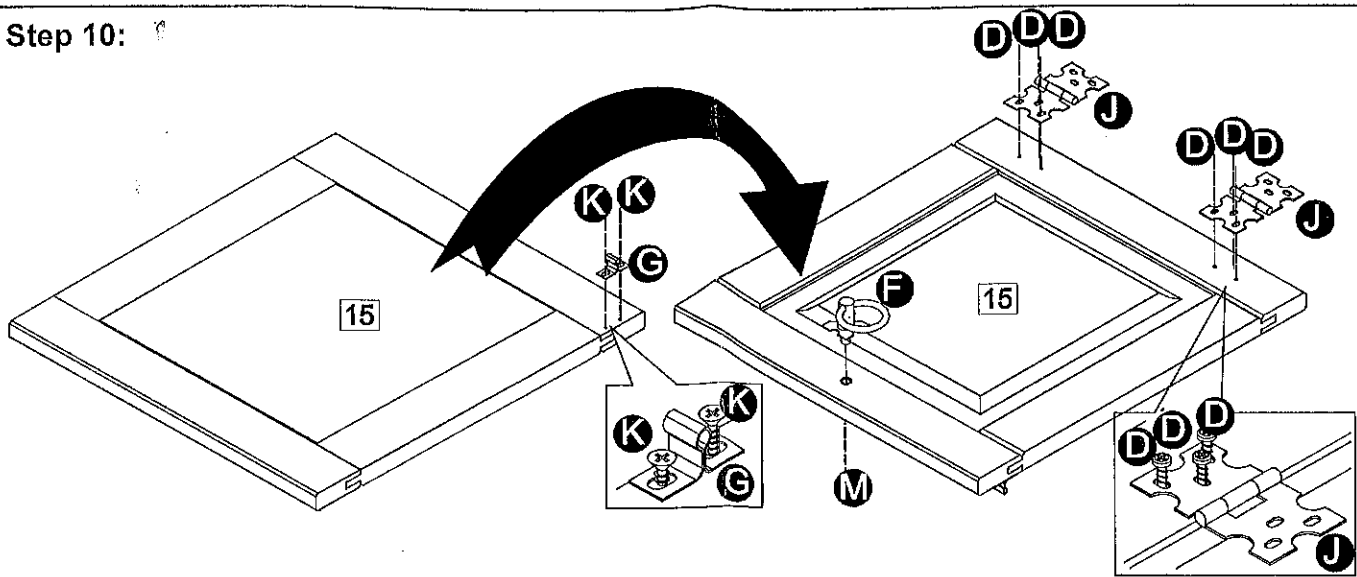
Step 8:



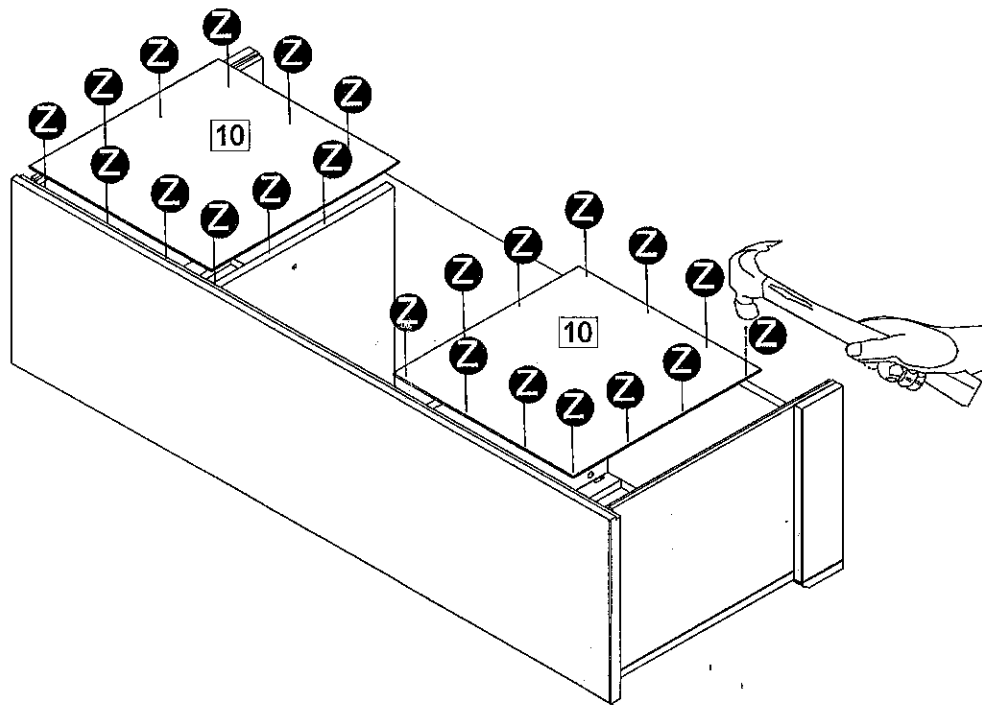
Step 9:



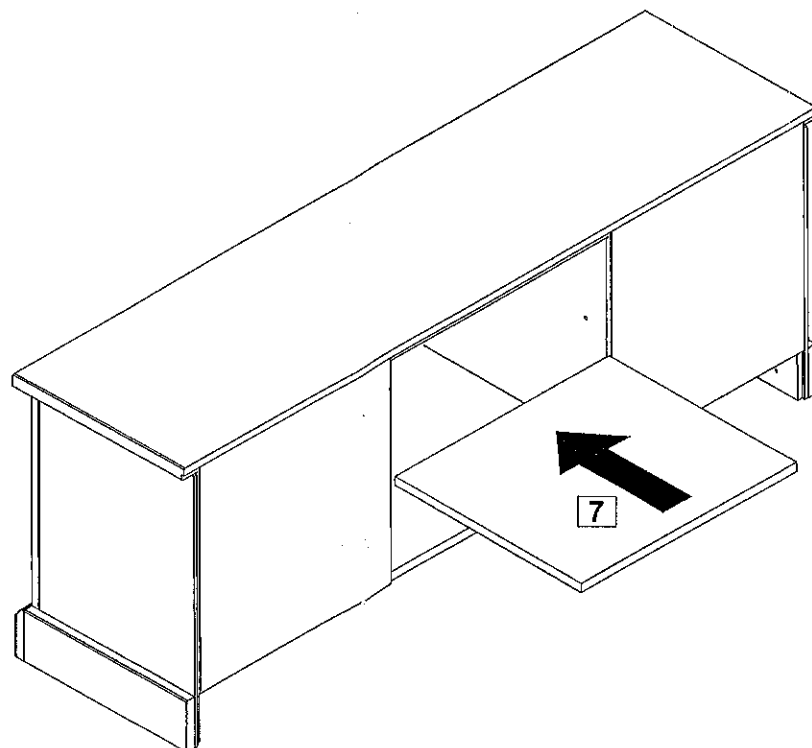
Step 10:



Step 11:

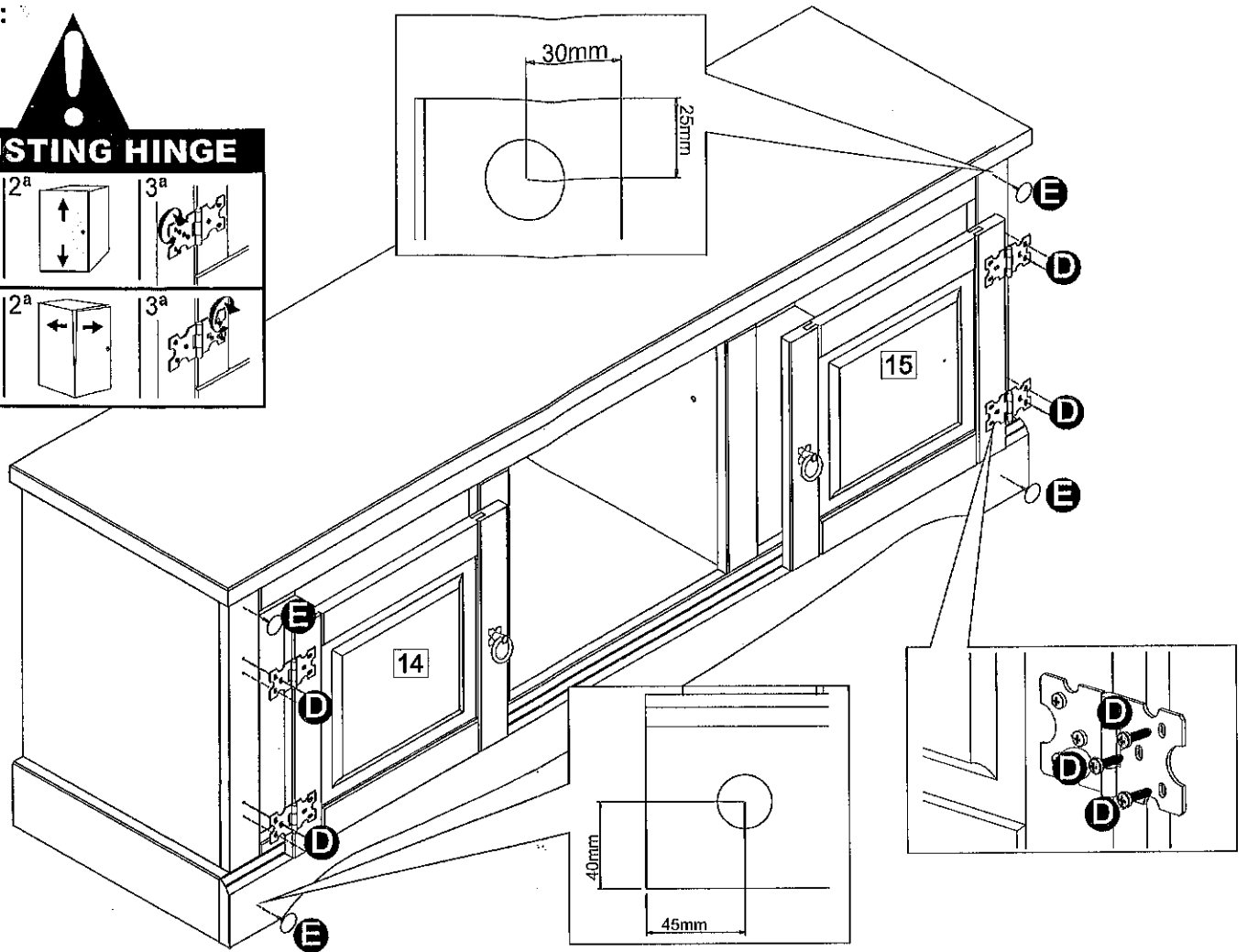
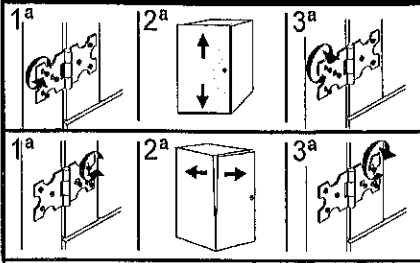


Step 12:

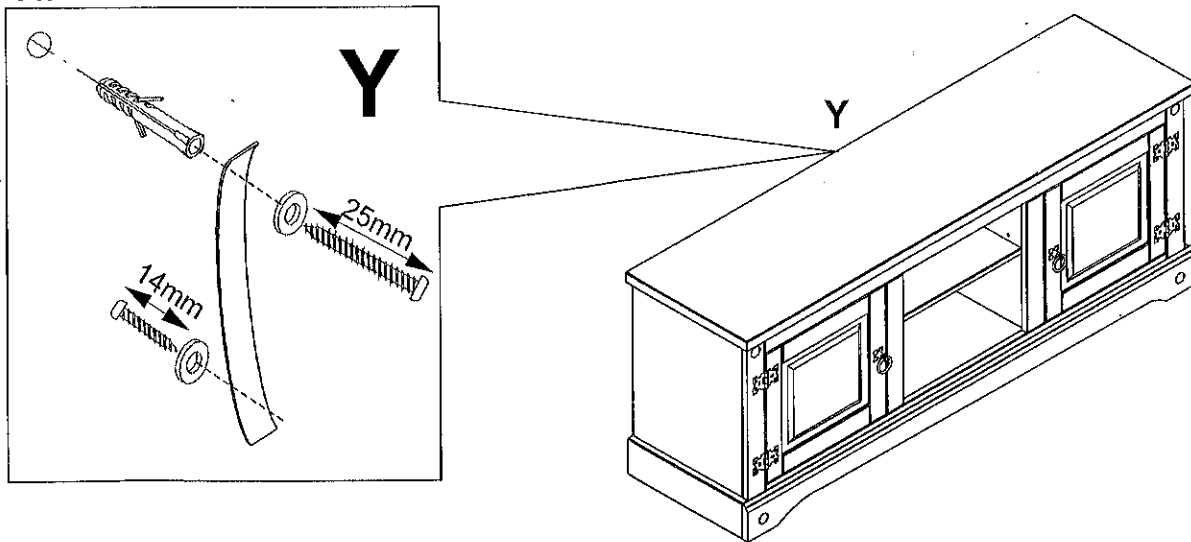


Step 13:

**ADJUSTING HINGE**



Step 14:



**WARNING: CHECK FOR HIDDEN PIPES AND CABLES BEFORE DRILLING.**

**IMPORTANT: IF YOUR WALLS ARE NOT SOLID LIKE BRICK OR STONE, YOU WILL REQUIRE SPECIALIST FITTINGS (NOT SUPPLIED).**

- Place fixing strip against the wall and mark position for drilling hole.
- Drill hole in your wall to a depth of 30mm using a 6mm drill bit. If the surface of your wall is soft and crumbly, we would advise you to use a 5mm drill bit for a tighter fit.
- Insert plug into hole with end flush to the wall surface.
- Attach fixing strip to the wall using the 25mm screw + washer and securely tighten.
- Pre-drill small pilot hole on the back edge of the furniture top using a 2mm drill bit. Attach the other end of fixing strip to the back edge of the furniture top using the 14mm screw + washer and securely tighten.