

ASSEMBLY INSTRUCTIONS
CORONA FLAT SCREEN TV UNIT

IMPORTANT
READ THESE INSTRUCTIONS CAREFULLY BEFORE ASSEMBLING OR USING YOUR CORONA FLAT SCREEN TV UNIT.
PLEASE KEEP THESE INSTRUCTIONS FOR FUTURE REFERENCE.

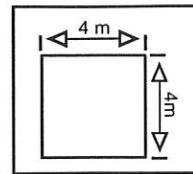
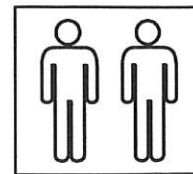
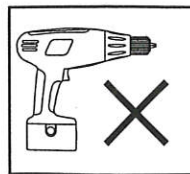
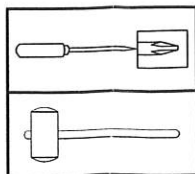
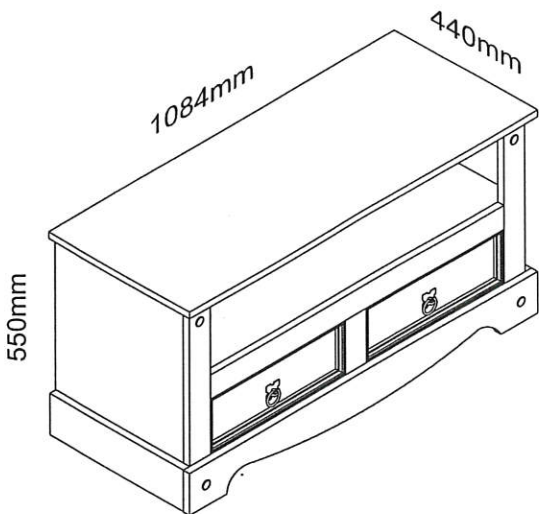
HEALTH & SAFETY:

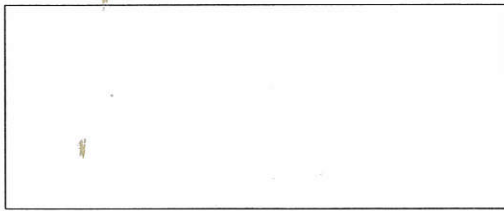
DO NOT use this item if any parts are missing, damaged or worn.
DO NOT use this item unless all fixings are secured.
Please keep small parts out of reach of children.
Always use on a level, even surface.
It is recommended that two people handle and assemble the item.

413
NEW
BATCH

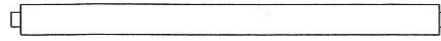
CARE & MAINTENANCE:

Assemble in the room of use.
To avoid damages assemble the item on a soft, clean surface
Periodically check all screws & fixings to ensure they are secure.
DO NOT push the item as this will damage the base.
Always lift the item with two people to reposition.
Keep any sharp objects away from the item.
This product is manufactured in pine which is a wood with natural characteristics including knots, grains, clusters or indentations.
On unpacking the item you may notice an odour due to production processes but this will disappear after a period of time.
DO NOT place the item next to a radiator or direct sunlight – this item is susceptible to temperature change. It is recommended an even room temperature be maintained with no sudden fluctuations.
DO NOT place hot or cold items directly onto the surface of the item as marking will occur
For general cleaning use a duster or damp cloth (almost dry) not wet – do not use soap and water, detergents, aerosol sprays or any polish as use of these materials would invalidate any claims.
DO NOT place the item onto wet or damp flooring as staining may occur to the floor.

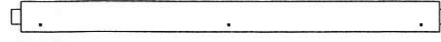




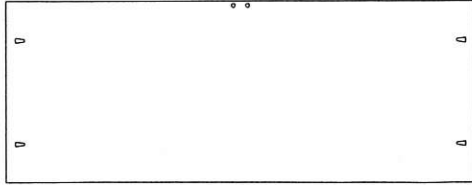
1 Top panel (108.4 x 44cm)



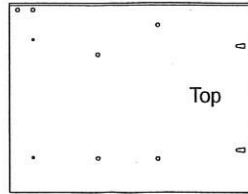
6 Top front frame (95.4 x 6.5cm)



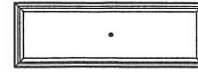
7 Bottom front frame (95.4 x 6.5cm)



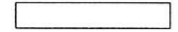
2 Base panel (100.8 x 39.4cm)



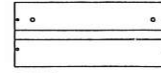
8 Right side panel (53.2 x 41cm)



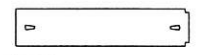
12 Drawer front x 2 (41.8 x 14cm)



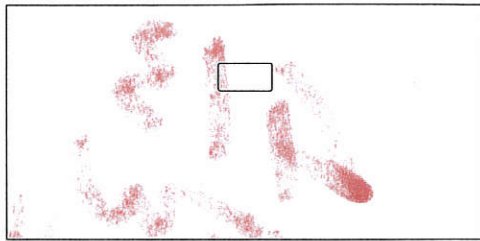
17 Side drawer runner x 2 (33.6 x 5.5cm)



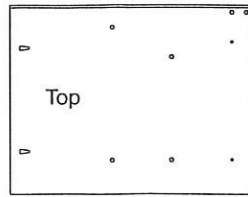
13 Drawer sides x 4 (34 x 14cm)



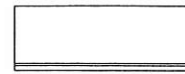
18 Middle drawer runner (37.6 x 8.1cm)



3 Back panel (102.6 x 51cm)



9 Left side panel (53.2 x 41cm)



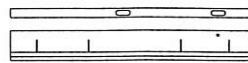
14 Drawer back x 2 (39.4 x 14cm)



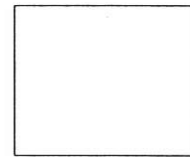
19 Back column (24.2 x 6.5cm)



4 Front plinth (108.4 x 11.2cm)



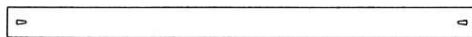
10 Right front frame (53.2 x 6.5cm)



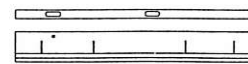
15 Drawer bottom x 2 (40.4 x 32.6cm)



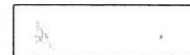
20 Vertical frame (18.8 x 6.5cm)



5 Cross rail (100.8 x 6.5cm)



11 Left front frame (53.2 x 6.5cm)



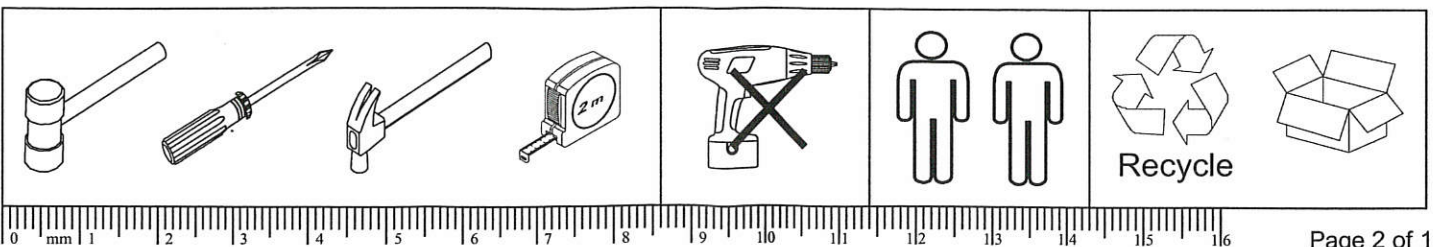
16 Side plinth x 2 (41.8 x 11.2cm)



21 Block x 4 (10 x 2cm)

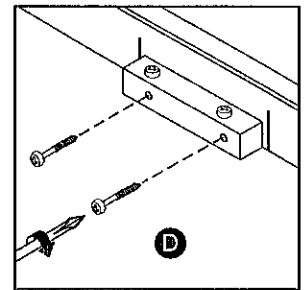
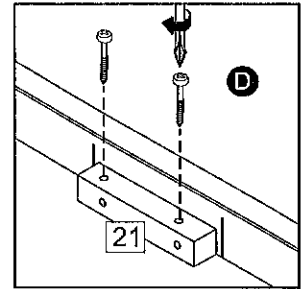
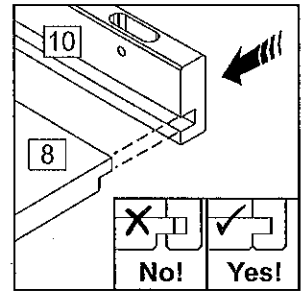
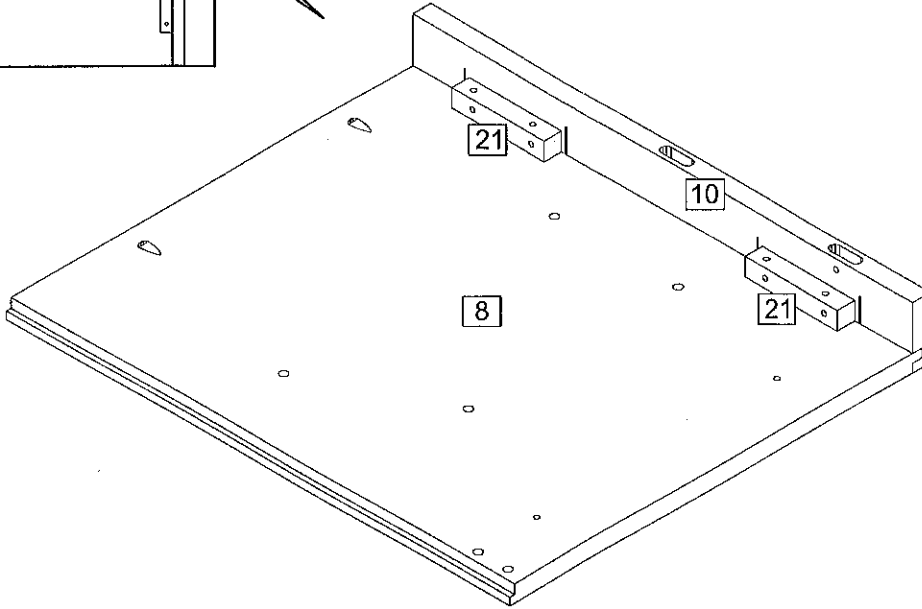
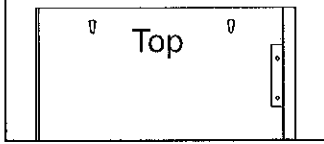
HARDWARE LIST

Part	Item	Qty	Part	Item	Qty
A	Wooden dowel 	28	F	19mm Bolt 	2
B	14mm Screw 	2	G	Drawer handle 	2
C	30mm Screw 	23	H	Round metal stud 	4
D	35mm Screw 	30	J	Nail 	26
E	50mm Screw 	4	You will need a small mallet and a screwdriver.		



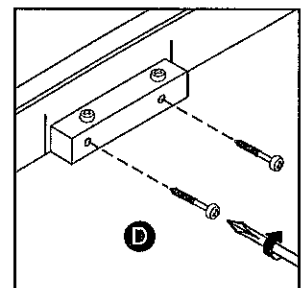
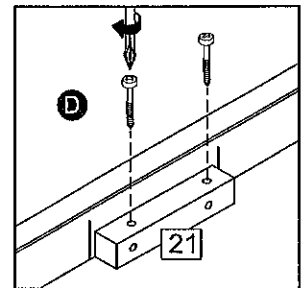
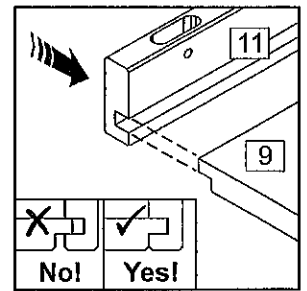
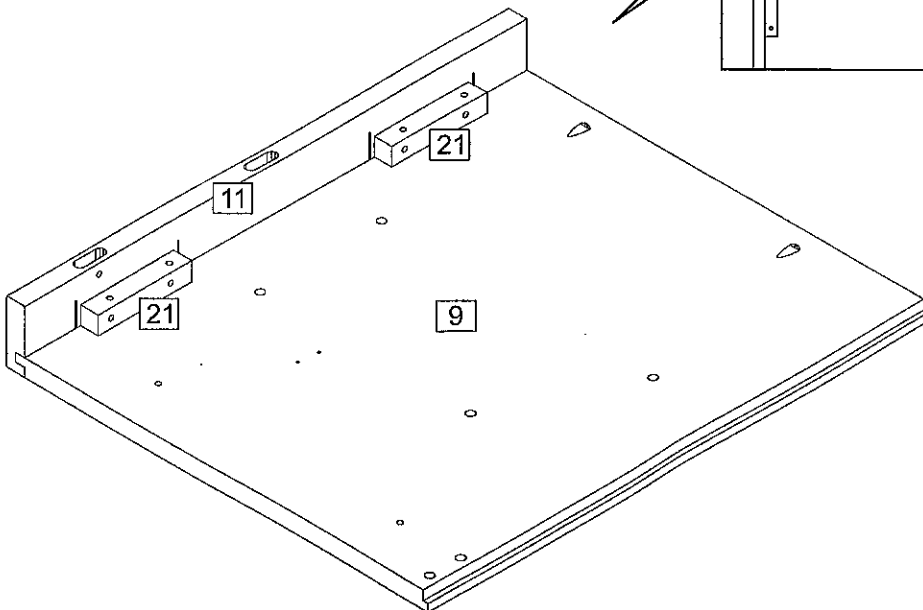
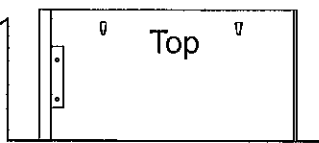
Step 1:

Attention: correct position of panel.

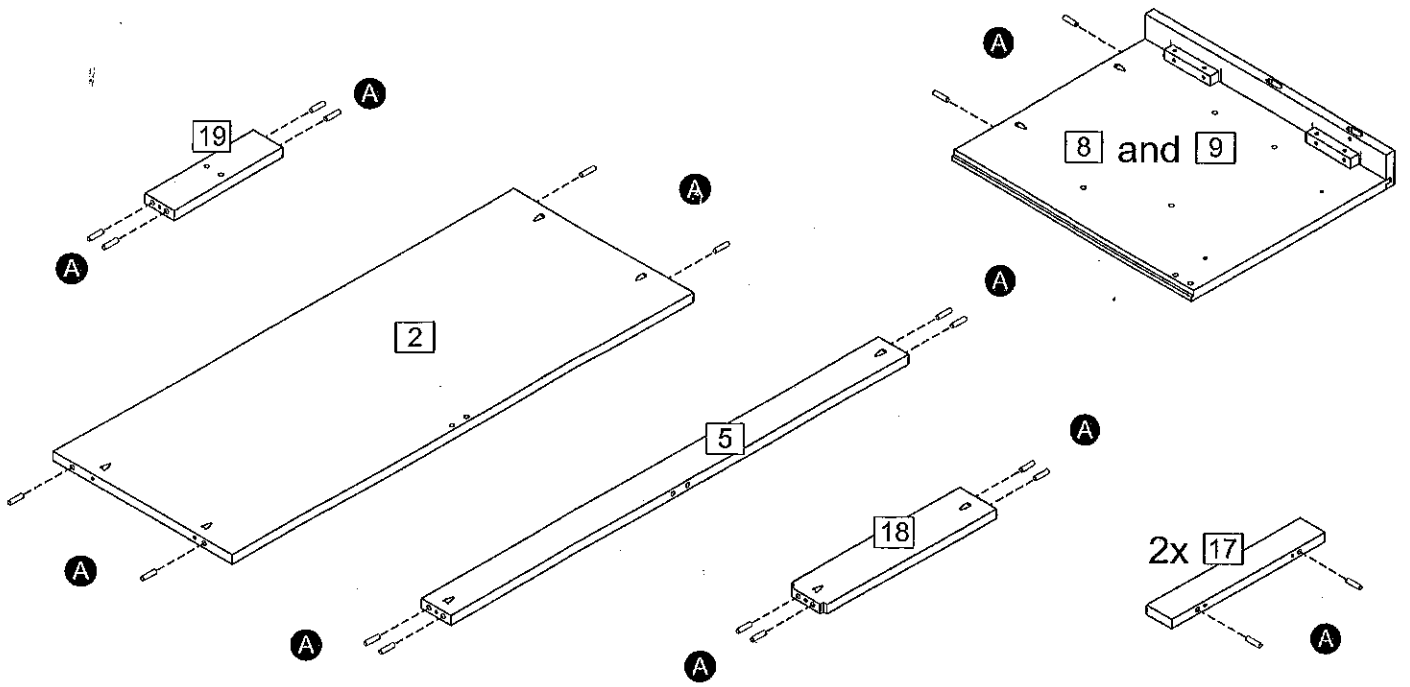


Step 2:

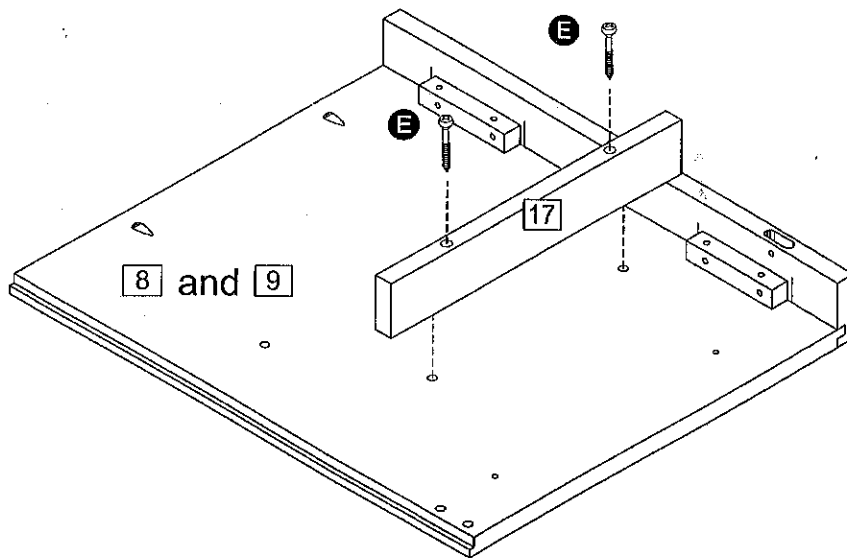
Attention: correct position of panel.



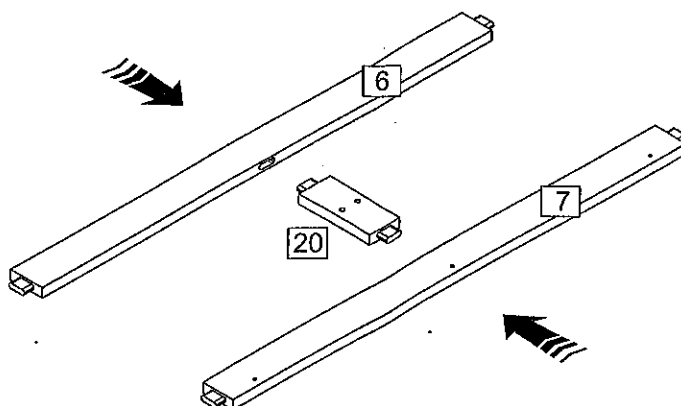
Step 3:



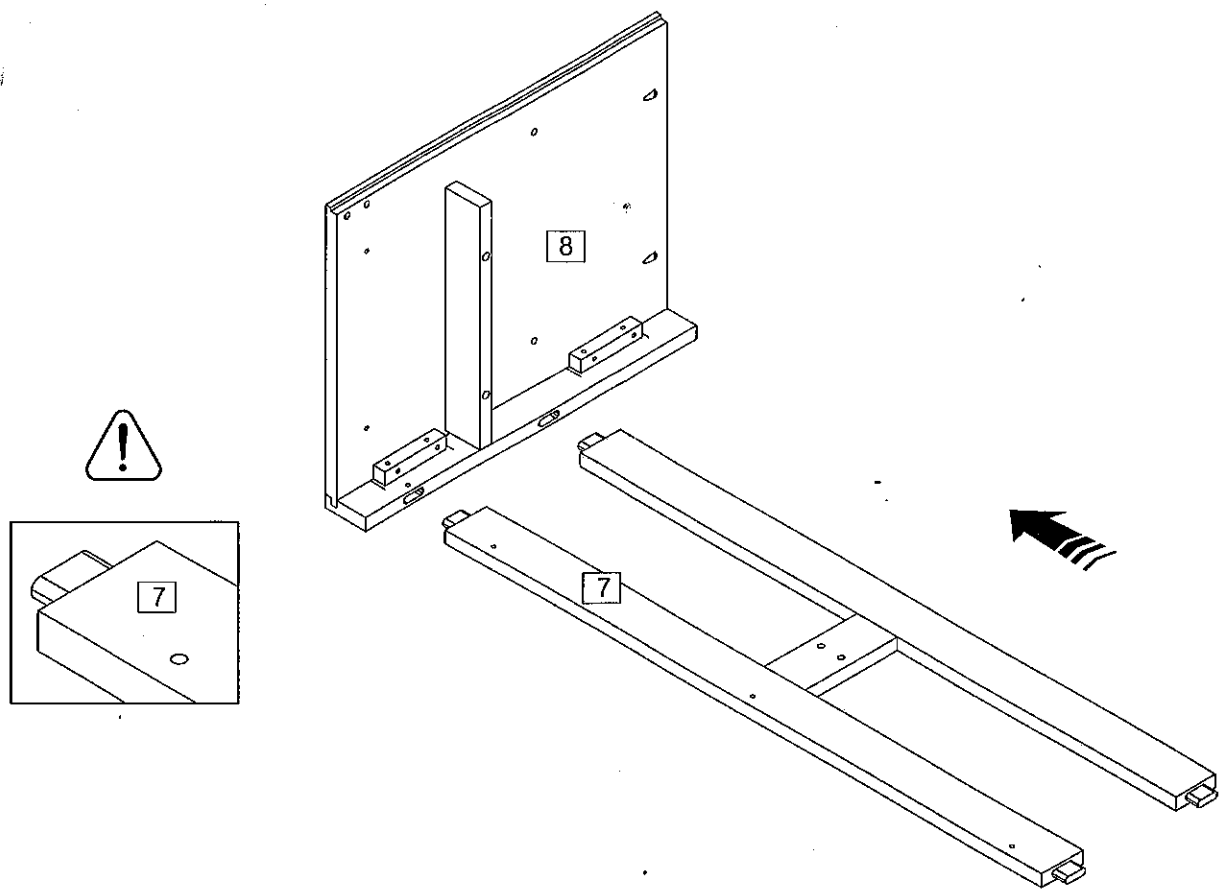
Step 4:



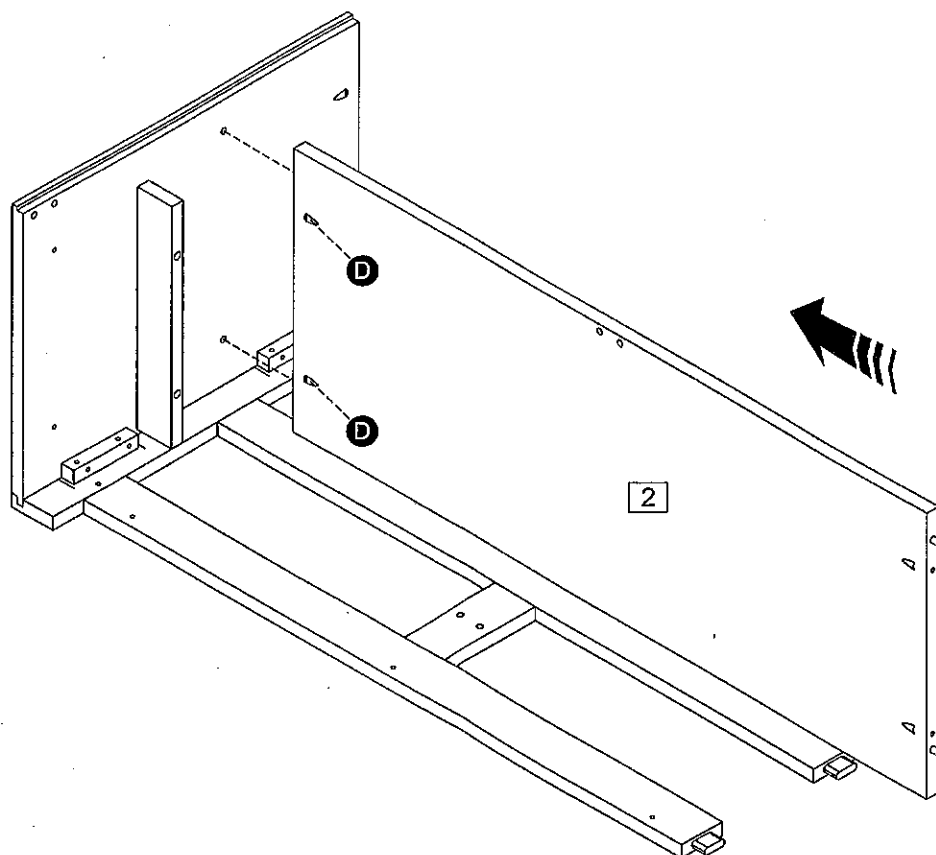
Step 5:



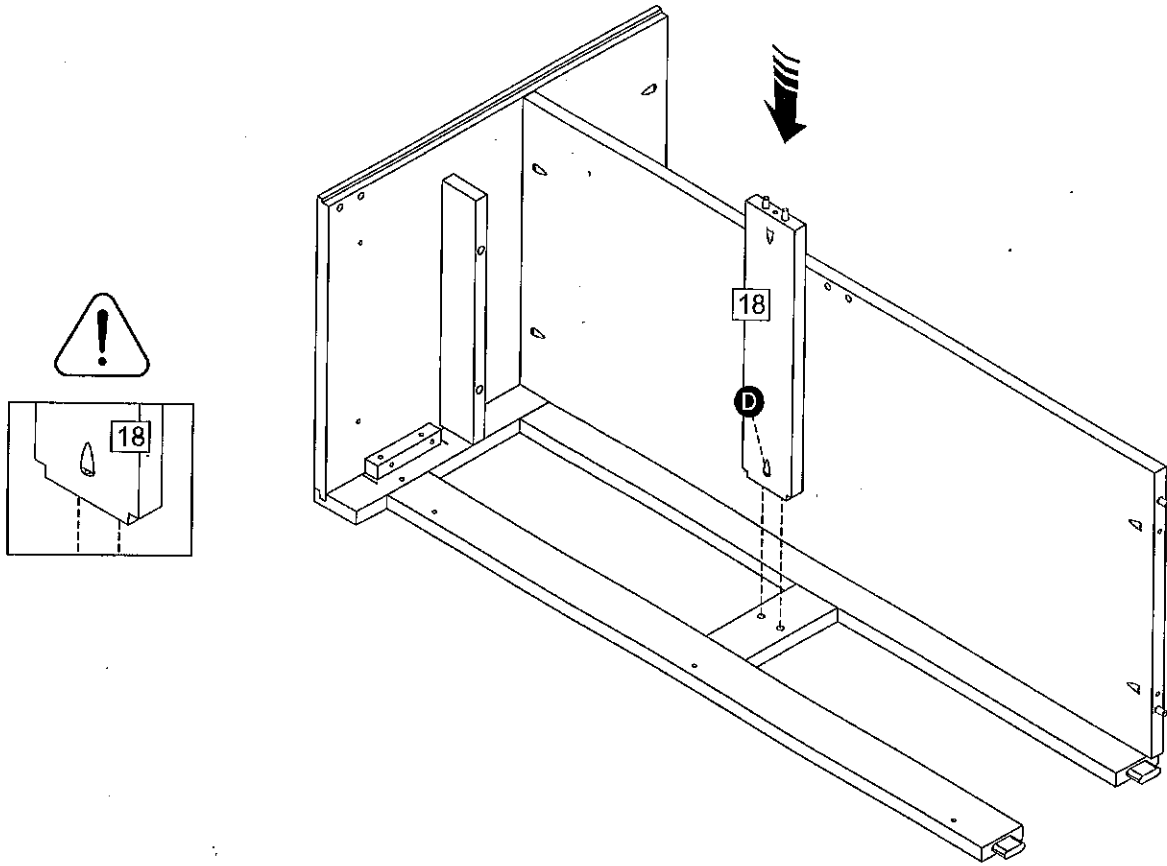
Step 5:



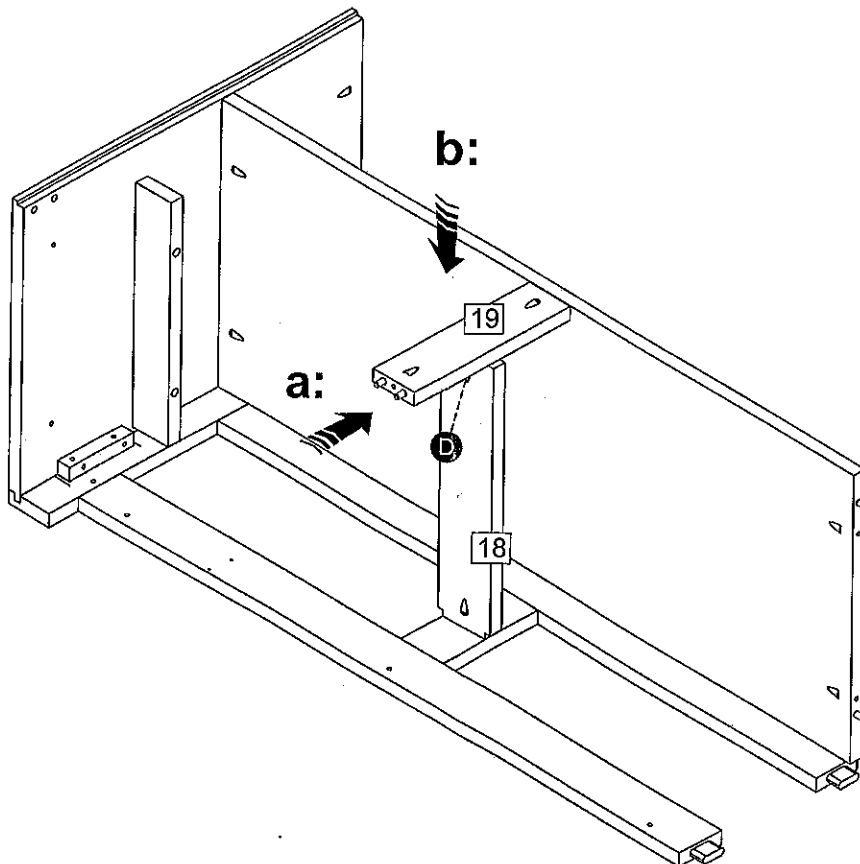
Step 6:



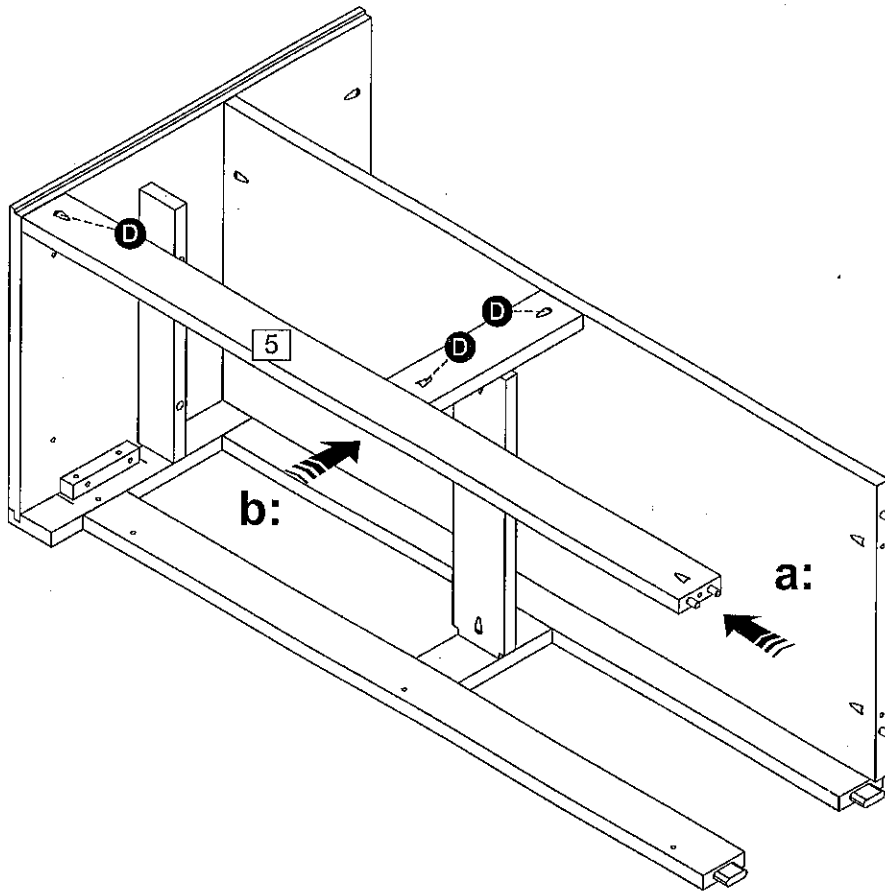
Step 7:



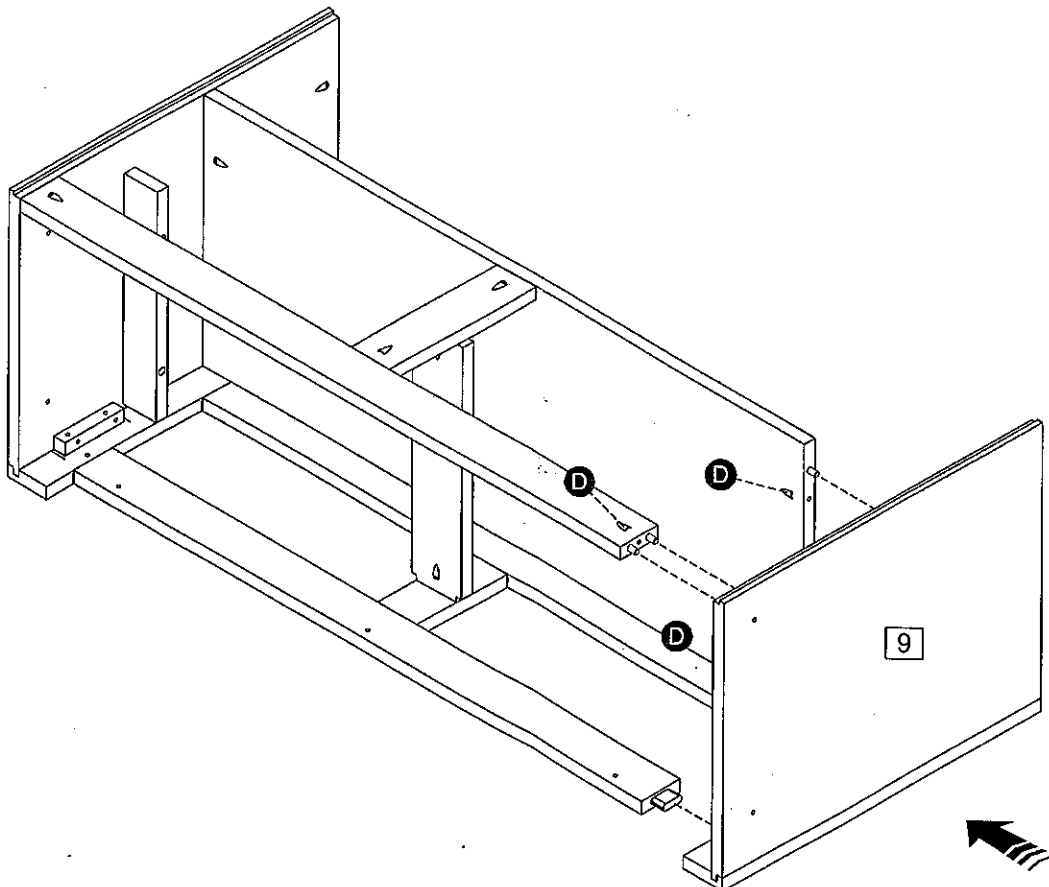
Step 8:



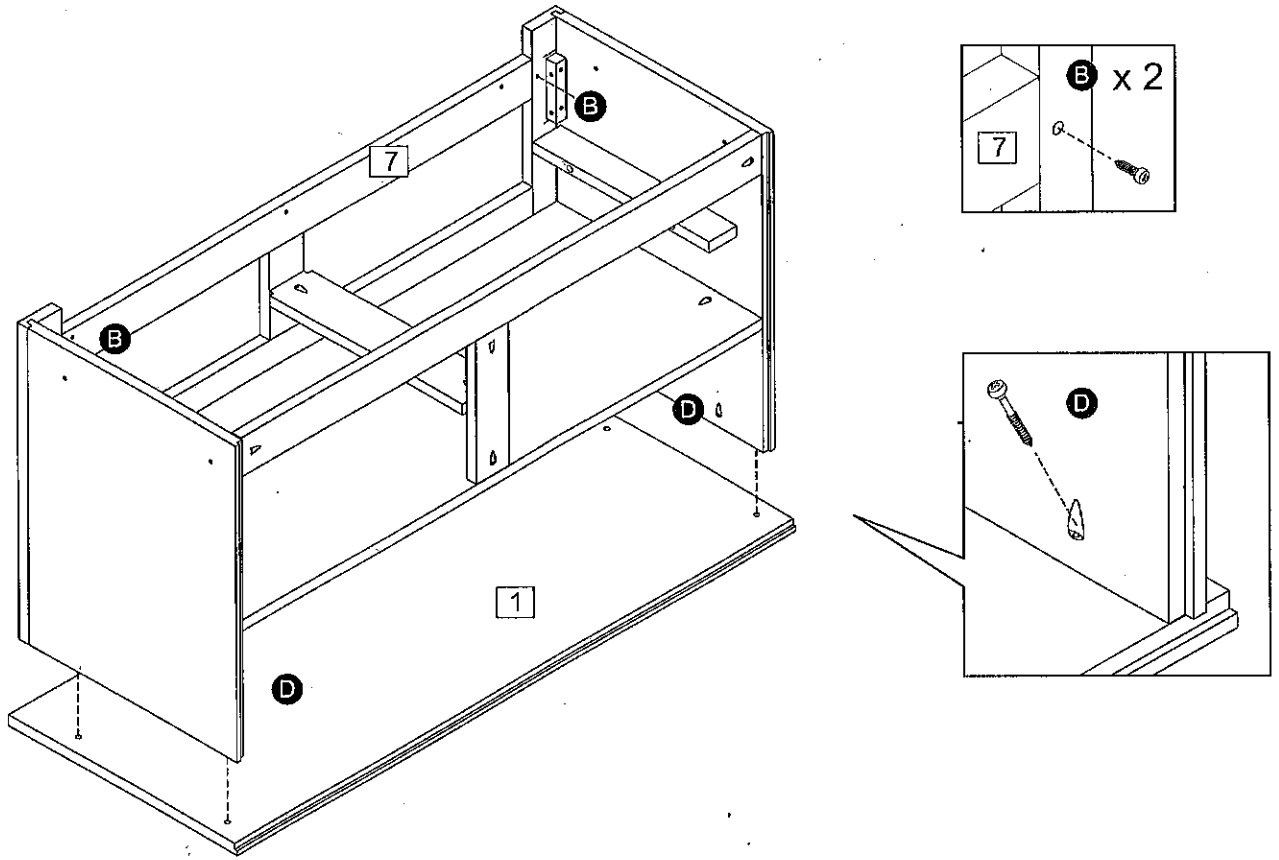
Step 9:



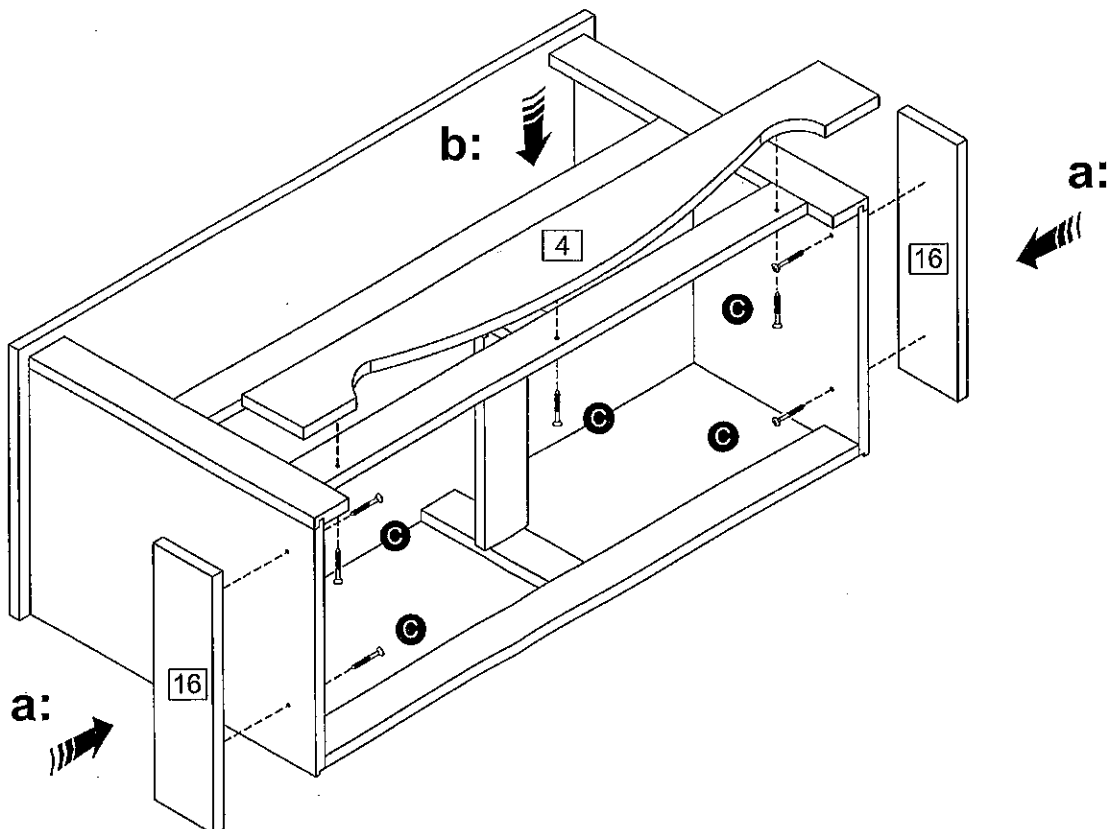
Step 10:



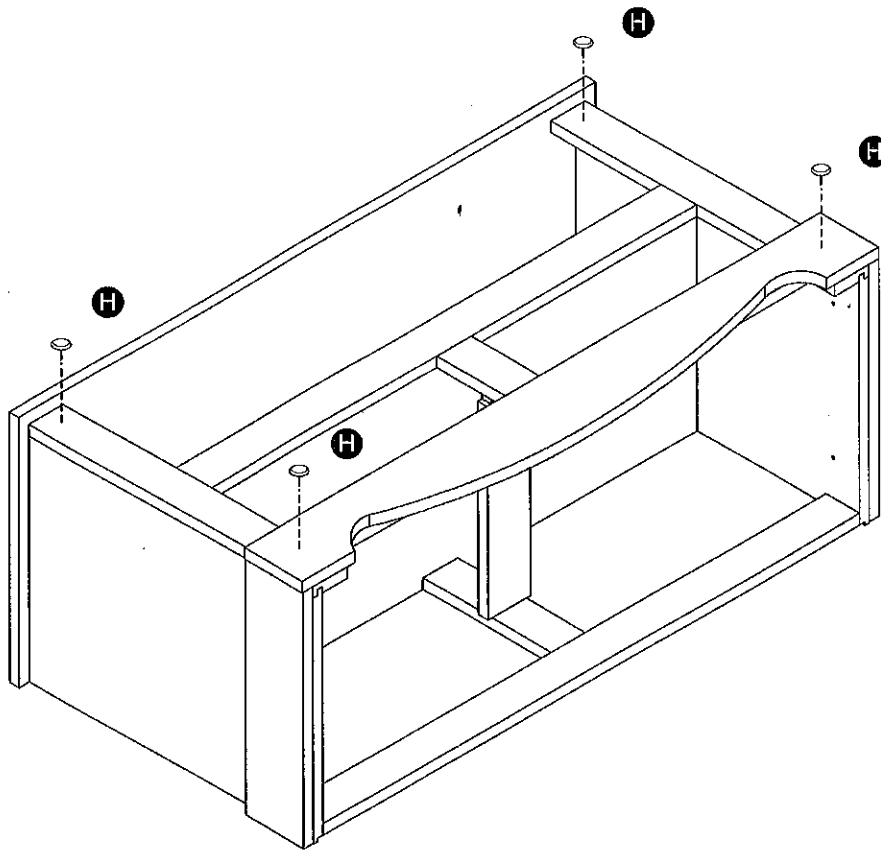
Step 11:



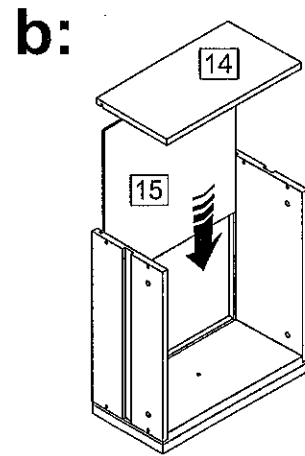
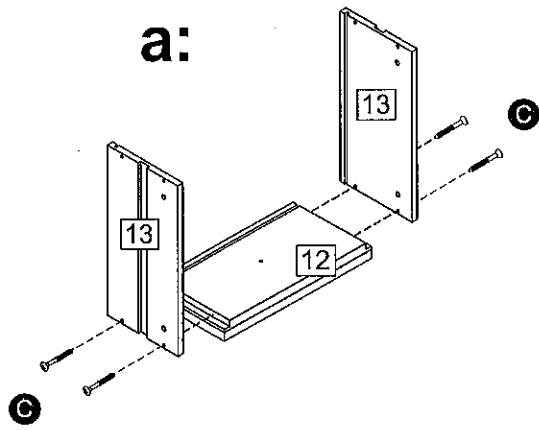
Step 12:



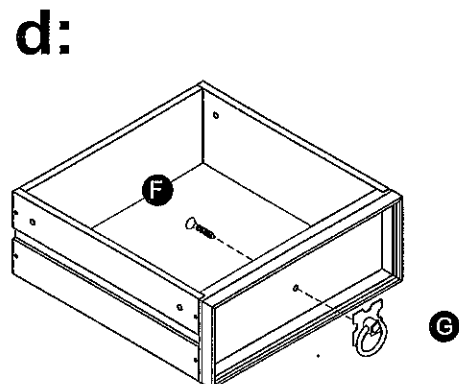
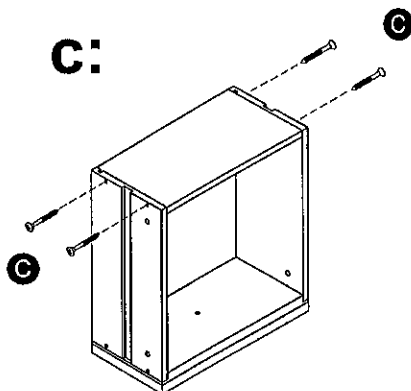
Step 13:



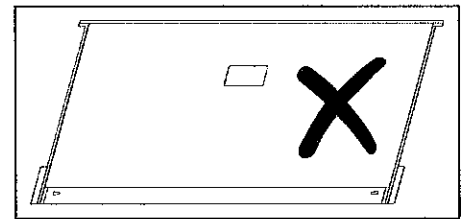
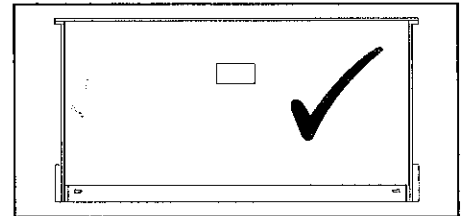
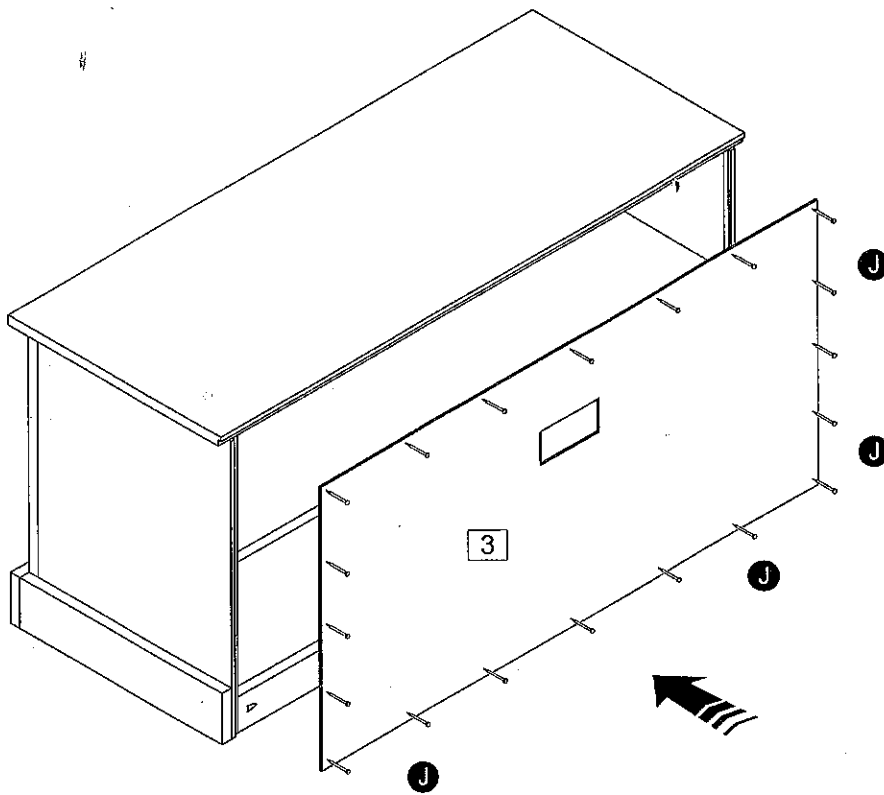
Step 14:



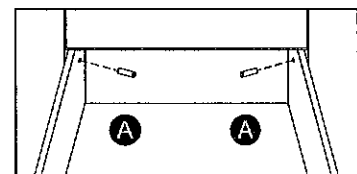
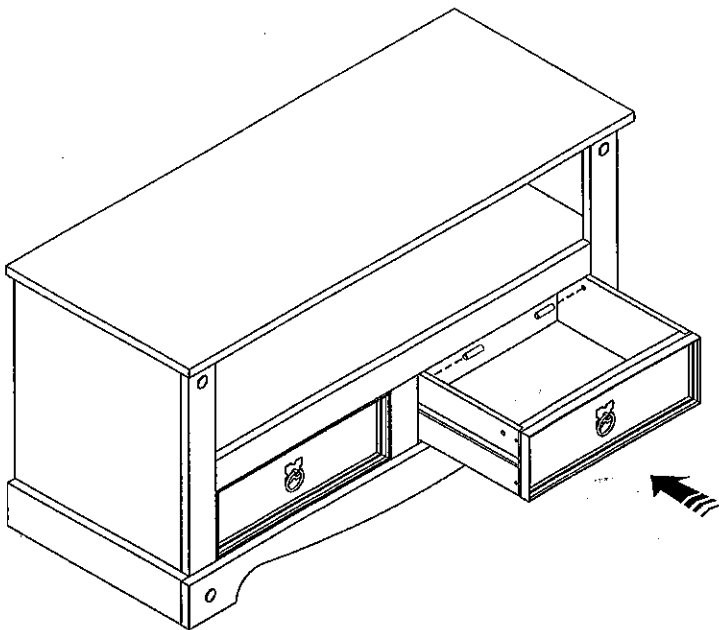
2x



Step 15:



Step 16:



Additional Information

If you have any issues with your item please contact the retailer directly you purchased it from who will be able to resolve any issues.