

ASSEMBLY INSTRUCTIONS

CORONA 3 DOOR 3 DRAWER SIDEBOARD

IMPORTANT

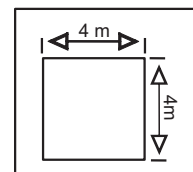
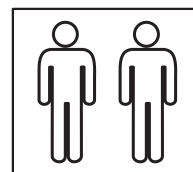
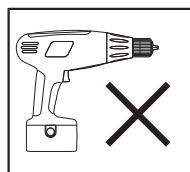
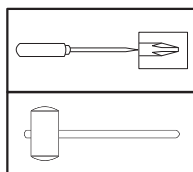
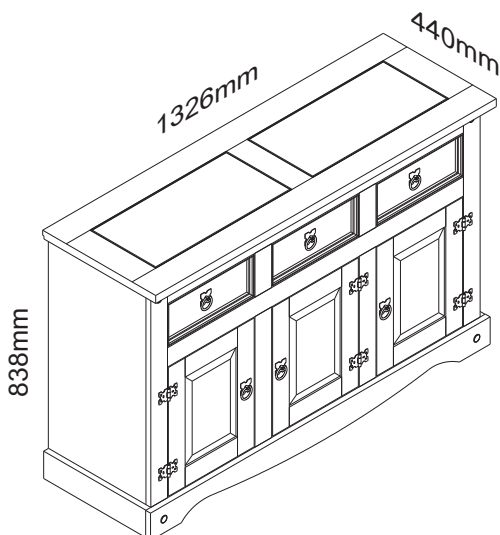
**READ THESE INSTRUCTIONS CAREFULLY BEFORE ASSEMBLING OR USING YOUR CORONA 3 DOOR 3 DRAWER SIDEBOARD.
PLEASE KEEP THESE INSTRUCTIONS FOR FUTURE REFERENCE.**

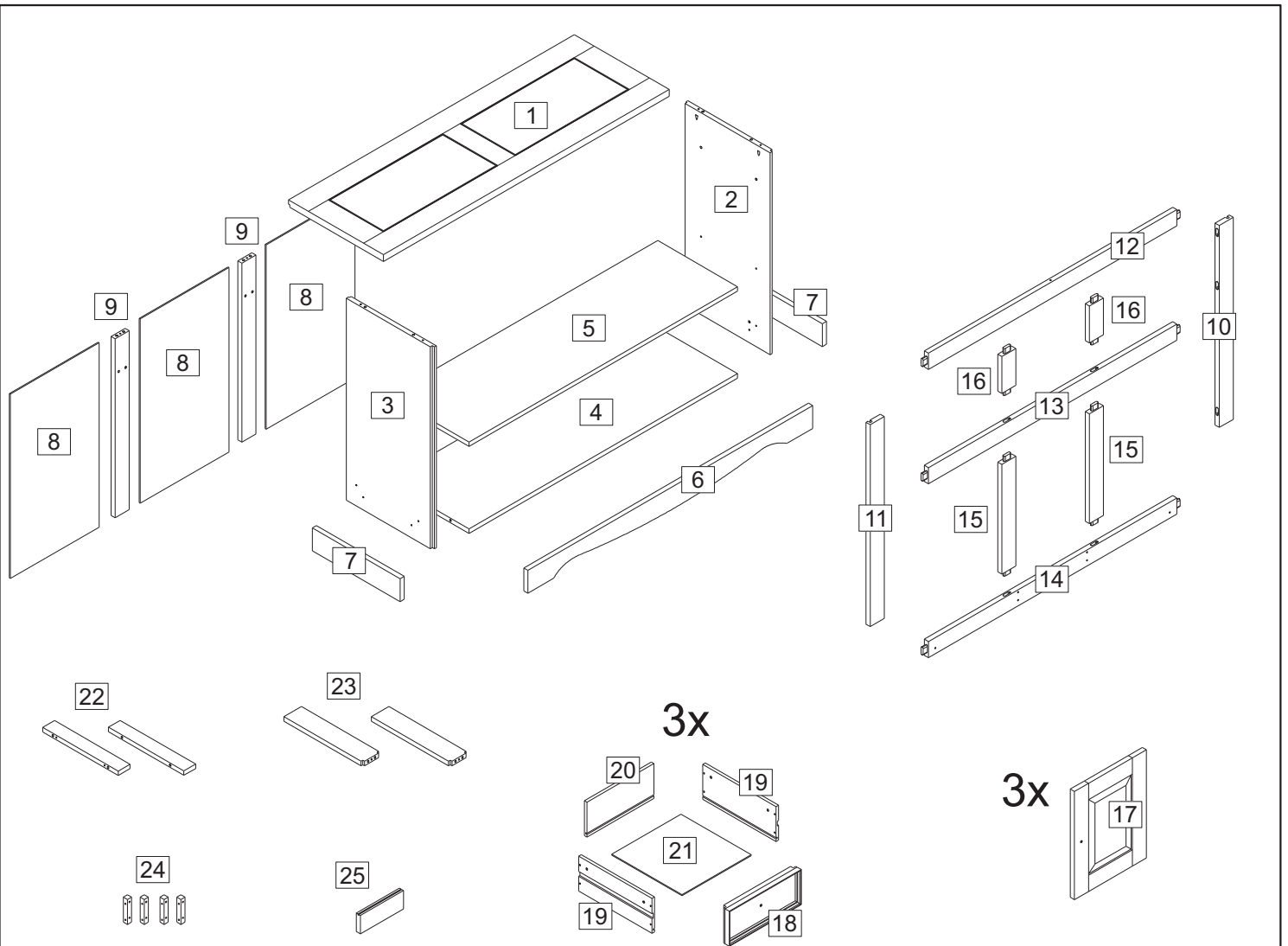
HEALTH & SAFETY:

DO NOT use this item if any parts are missing, damaged or worn.
DO NOT use this item unless all fixings are secured.
Please keep small parts out of reach of children.
Always use on a level, even surface.
It is recommended that two people handle and assemble the item.

CARE & MAINTENANCE:

Assemble in the room of use.
To avoid damages assemble the item on a soft, clean surface
Periodically check all screws & fixings to ensure they are secure.
DO NOT push the item as this will damage the base.
Always lift the item with two people to reposition.
Keep any sharp objects away from the item.
This product is manufactured in pine which is a wood with natural characteristics including knots, grains, clusters or indentations.
On unpacking the item you may notice an odour due to production processes but this will disappear after a period of time.
DO NOT place the item next to a radiator or direct sunlight – this item is susceptible to temperature change. It is recommended an even room temperature be maintained with no sudden fluctuations.
DO NOT place hot or cold items directly onto the surface of the item as marking will occur
For general cleaning use a duster or damp cloth (almost dry) not wet – do not use soap and water, detergents, aerosol sprays or any polish as use of these materials would invalidate any claims.
DO NOT place the item onto wet or damp flooring as staining may occur to the floor.



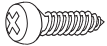

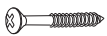

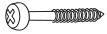

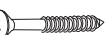

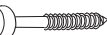







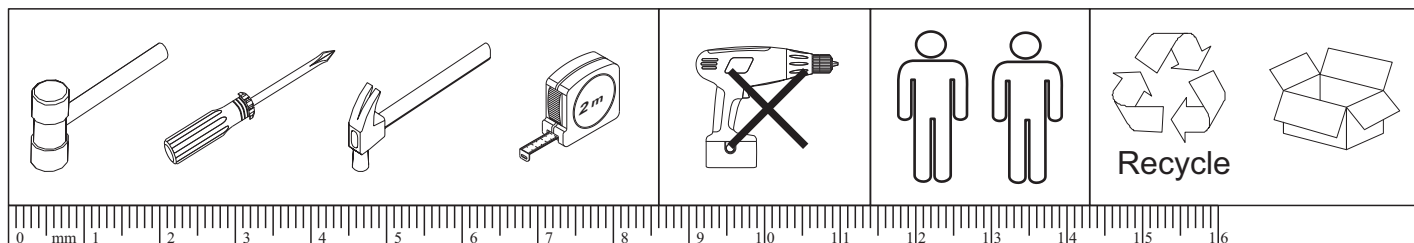
PARTS LIST

Part	Item	Qty	Part	Item	Qty
1	Top panel	1	14	Bottom front frame	1
2	Right side panel	1	15	Vertical frame	2
3	Left side panel	1	16	Small vertical frame	2
4	Base panel	1	17	Door	3
5	Shelf panel	1	18	Drawer front	3
6	Front plinth	1	19	Drawer side	6
7	Side plinth	2	20	Drawer back	3
8	Back panel	3	21	Drawer bottom	3
9	Back Column	2	22	Side drawer runner	2
10	Right front frame	1	23	Middle drawer runner	2
11	Left front frame	1	24	Block	4
12	Top front frame	1	25	Bottom Support	1
13	Middle front frame	1			

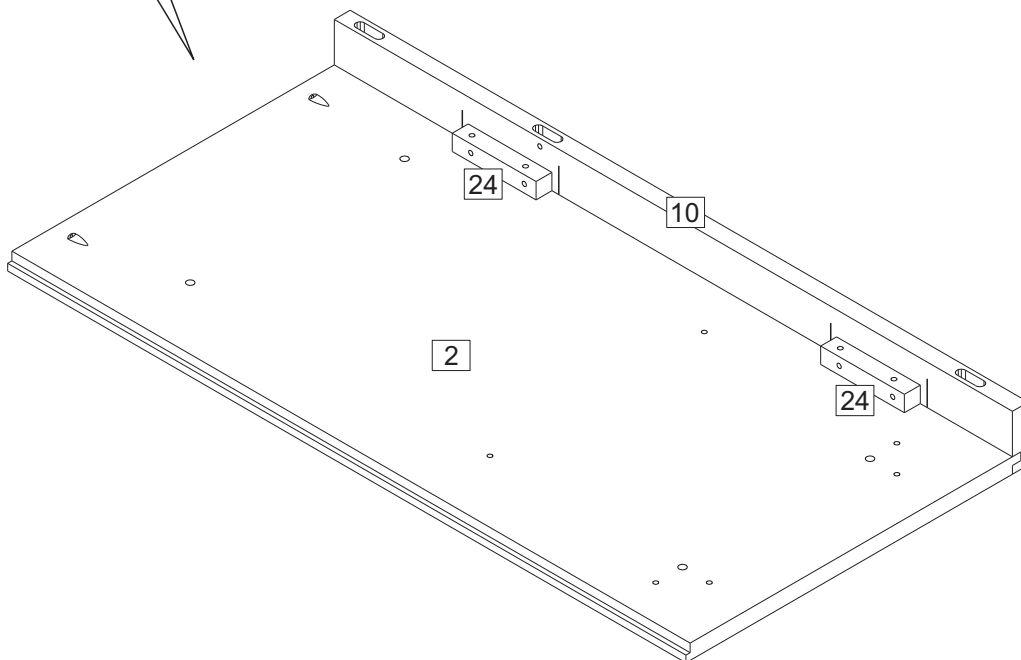
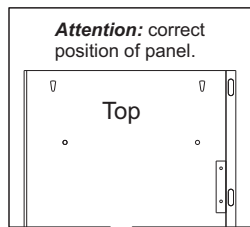
HARDWARE LIST

Part	Item	Qty	Part	Item	Qty
A	Wooden dowel 	34	H	Door/drw handle 	6
B	14mm Screw 	50	J	Door hinge 	6
C	30mm Screw 	34	K	Clip 	3
D	35mm Screw 	29	L	Plug 	3
E	40mm Screw 	6	M	Round metal stud 	4
F	50mm Screw 	4	N	Shelf Support 	4
G	19mm Bolt 	6	P	Nail 	54

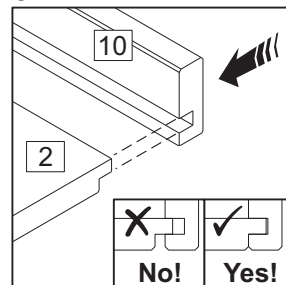
You will need a small mallet and a screwdriver.



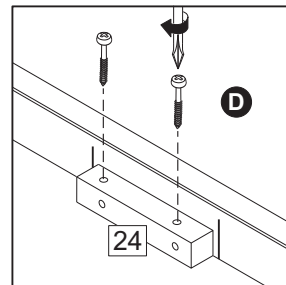
Step 1:



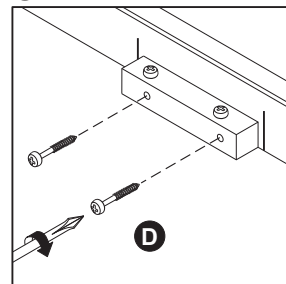
a:



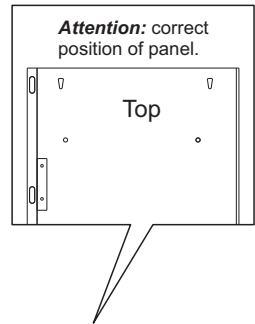
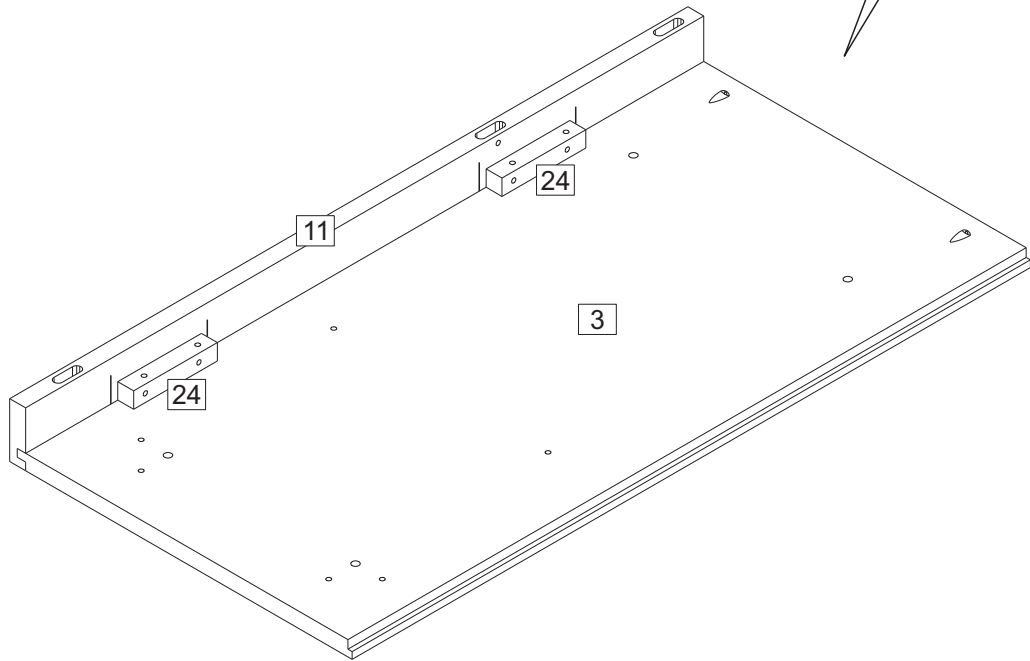
b:



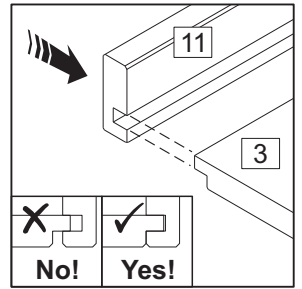
c:



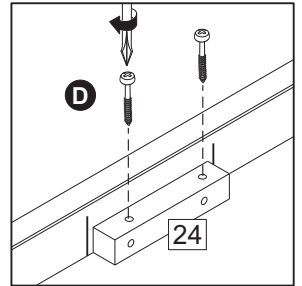
Step 2:



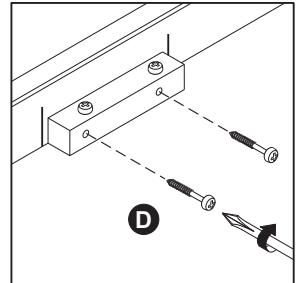
a:



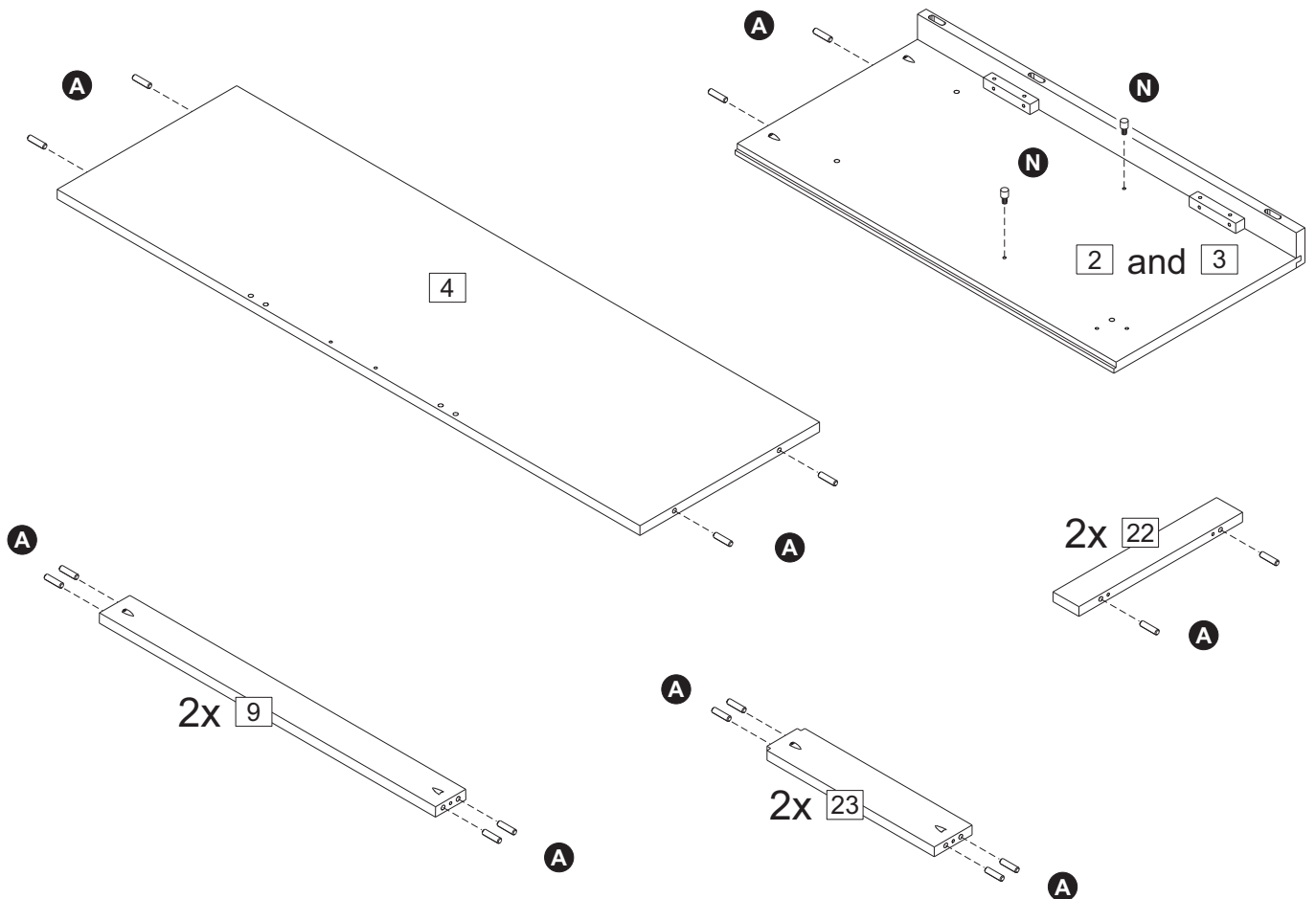
b:



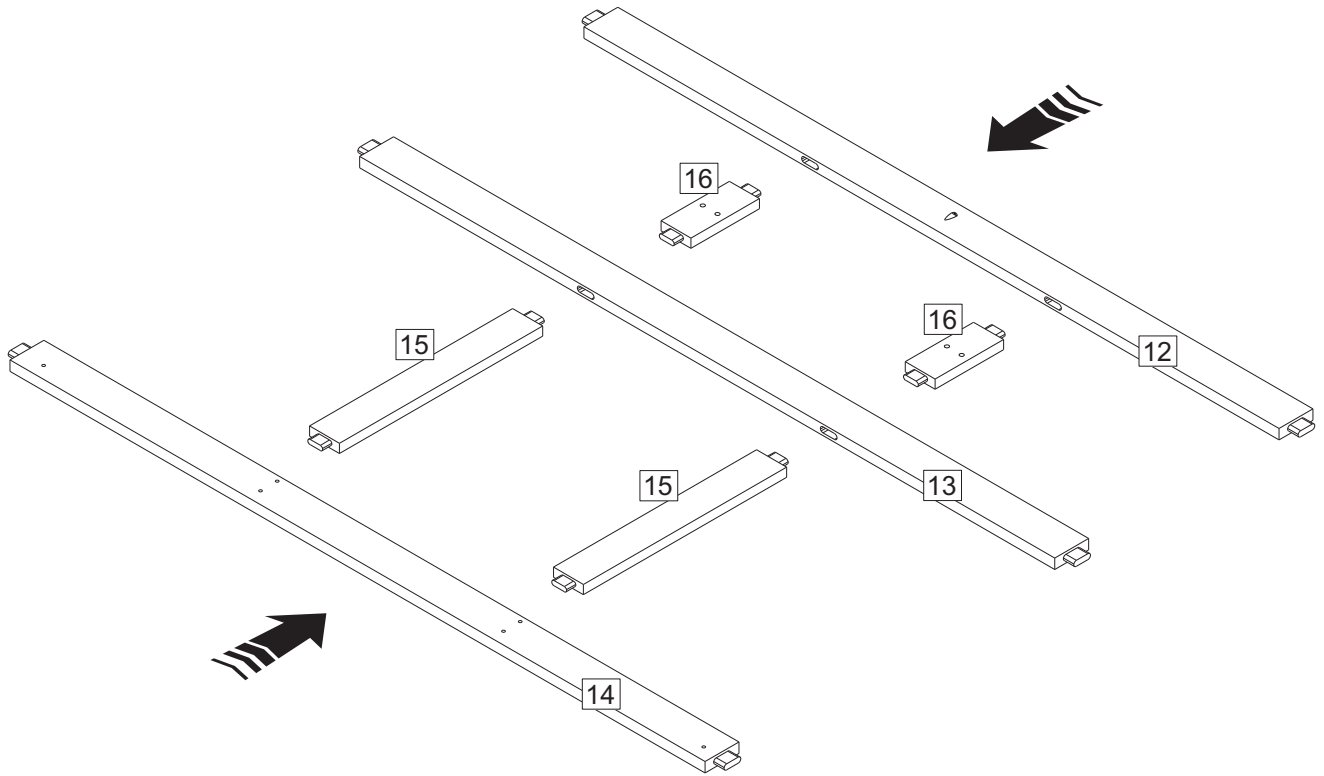
c:



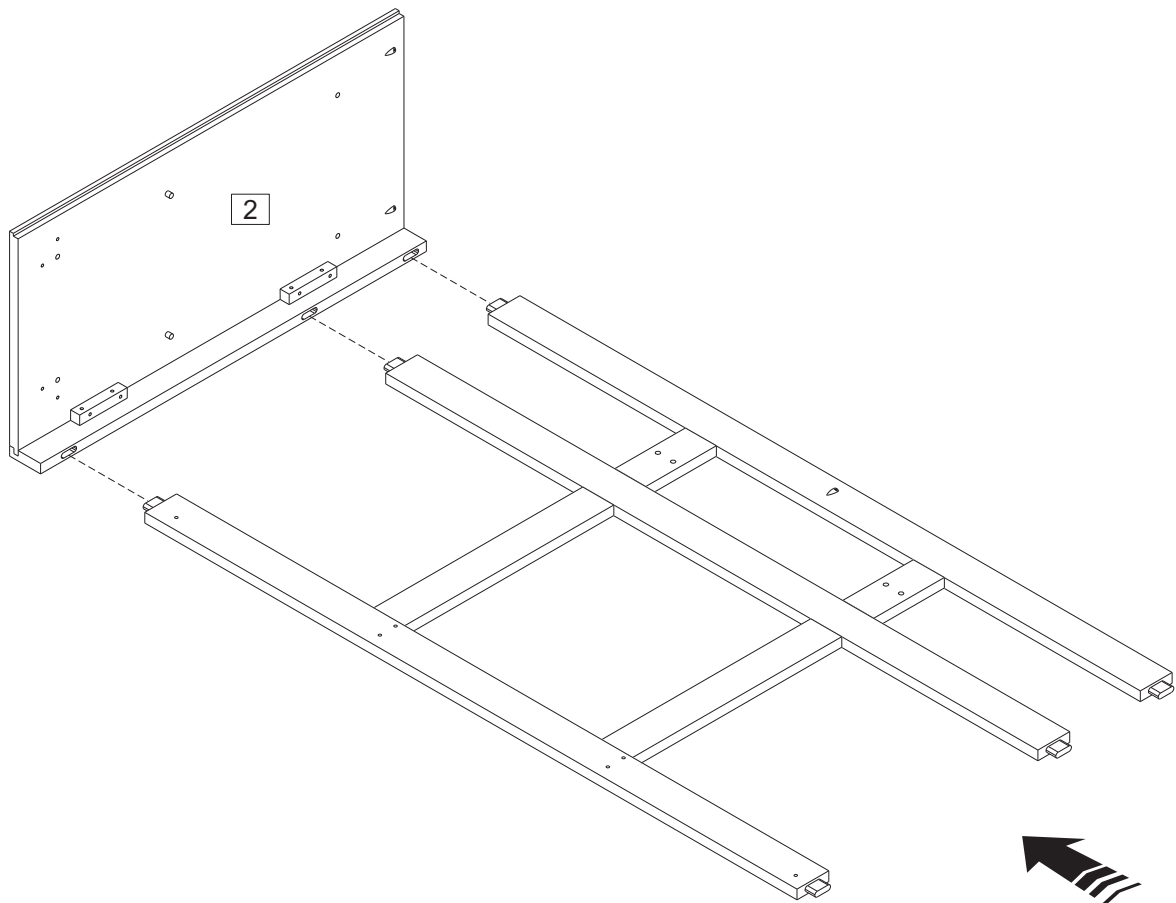
Step 3:



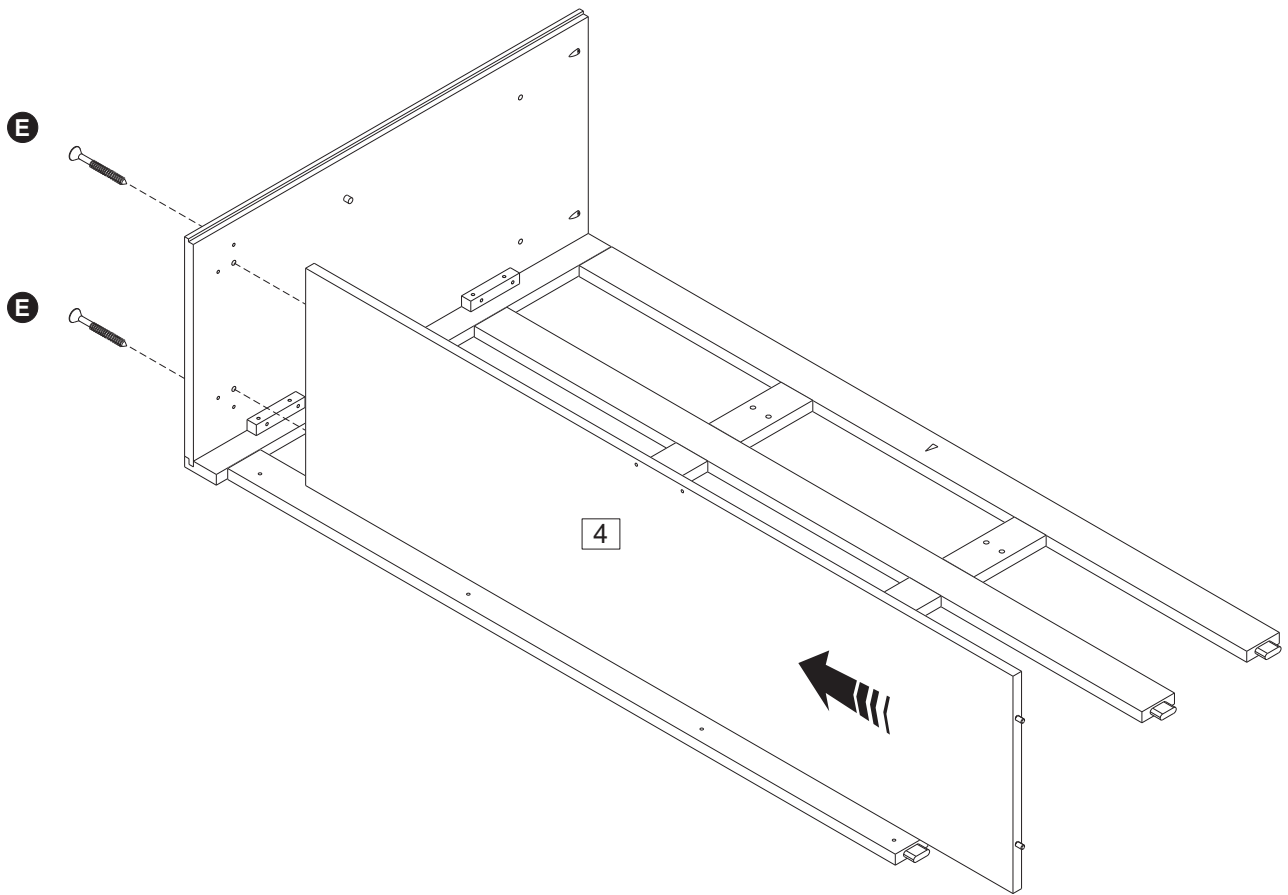
Step 4:



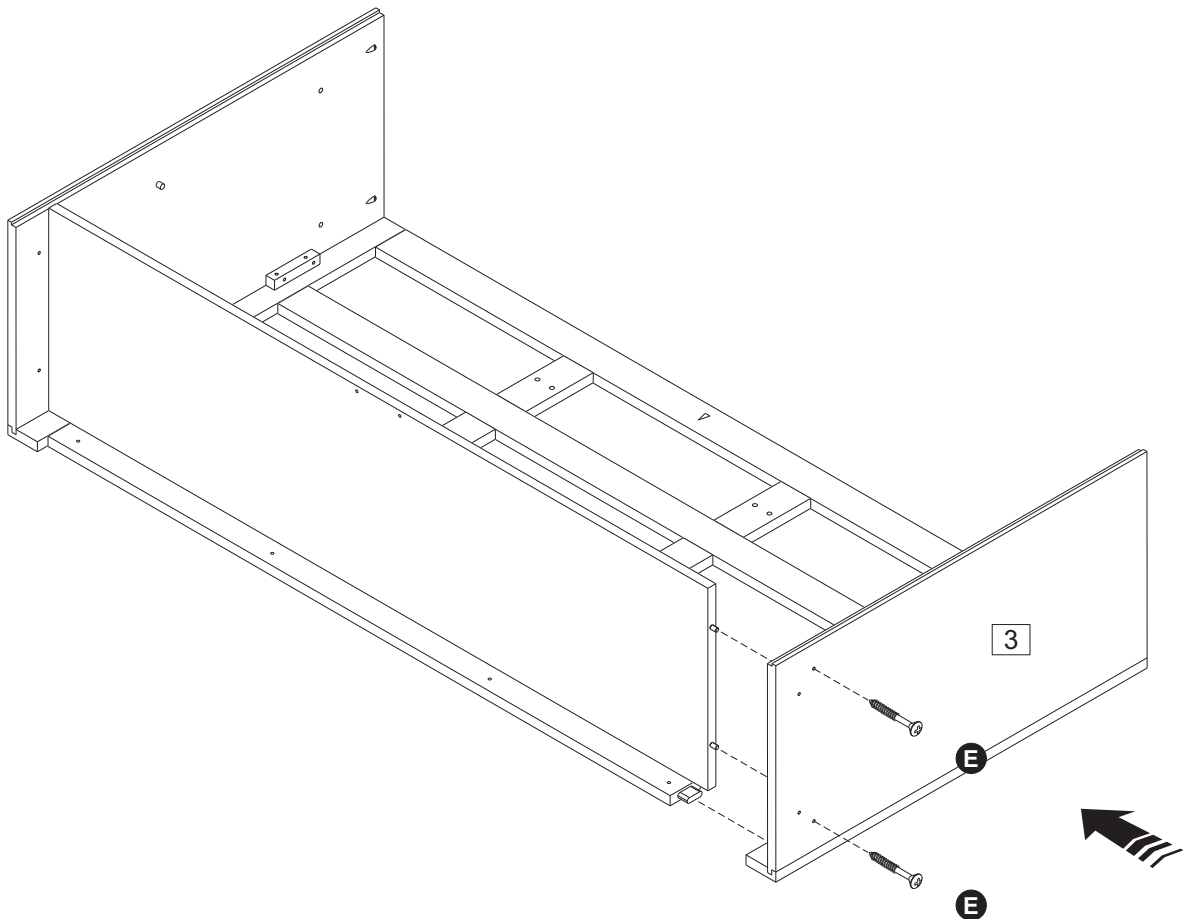
Step 5:



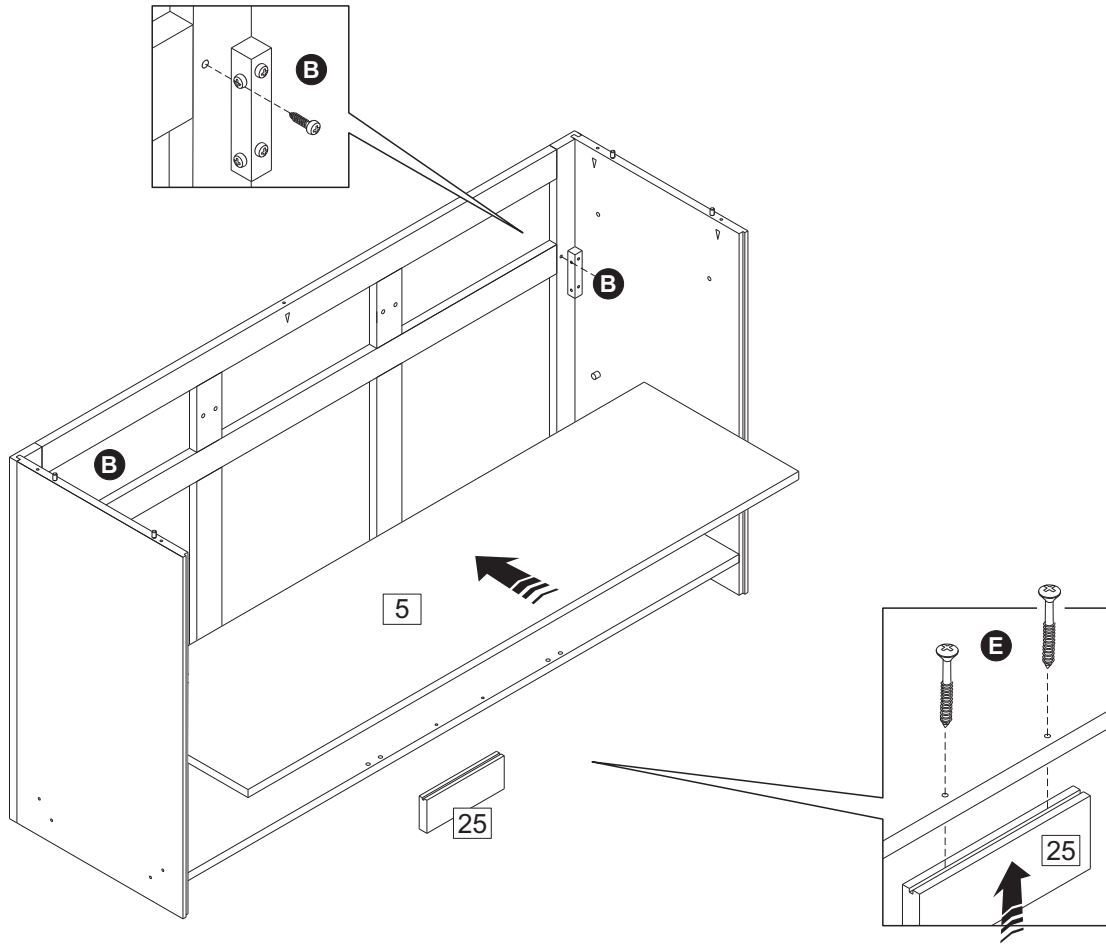
Step 6:



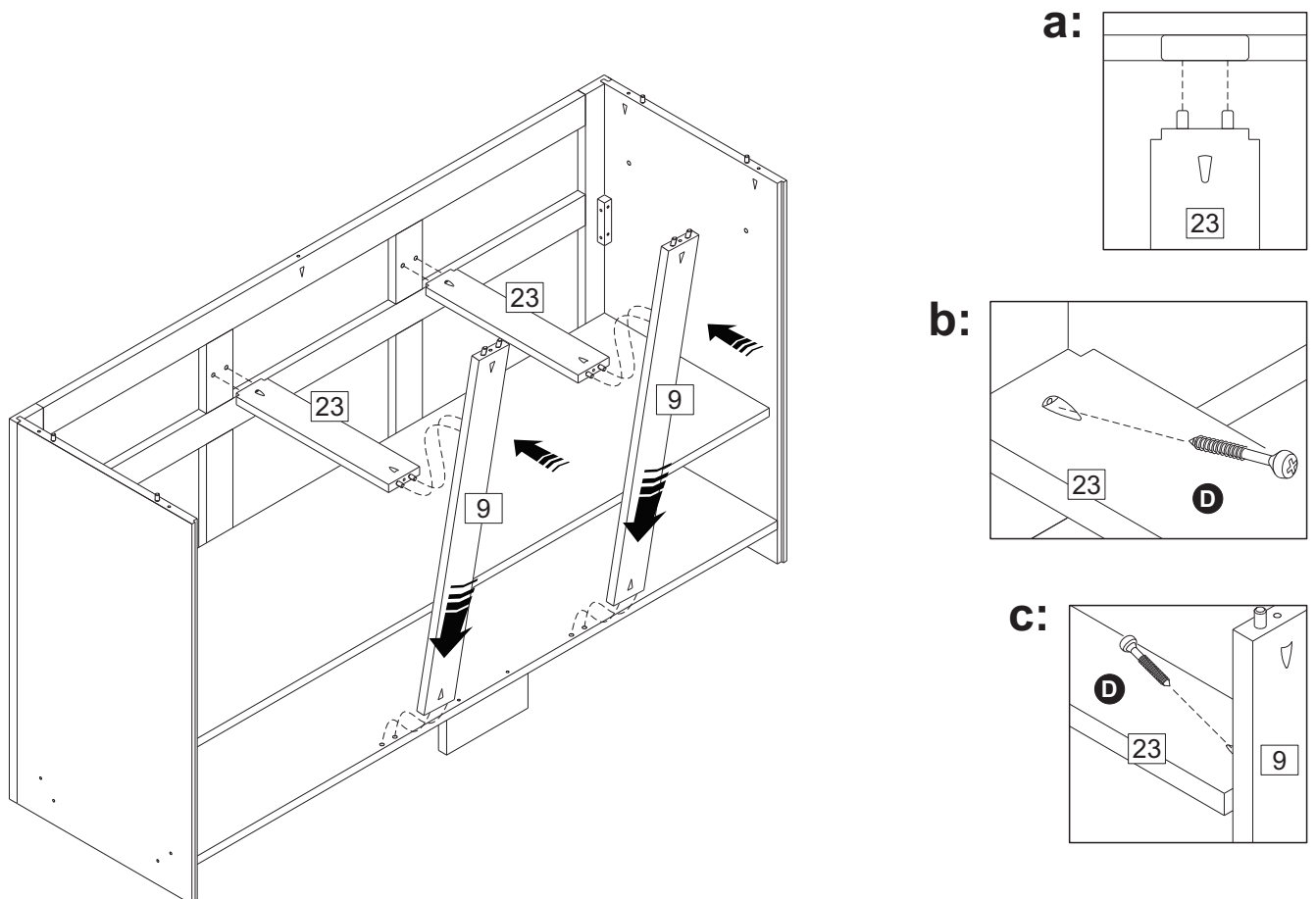
Step 7:



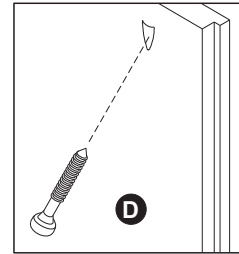
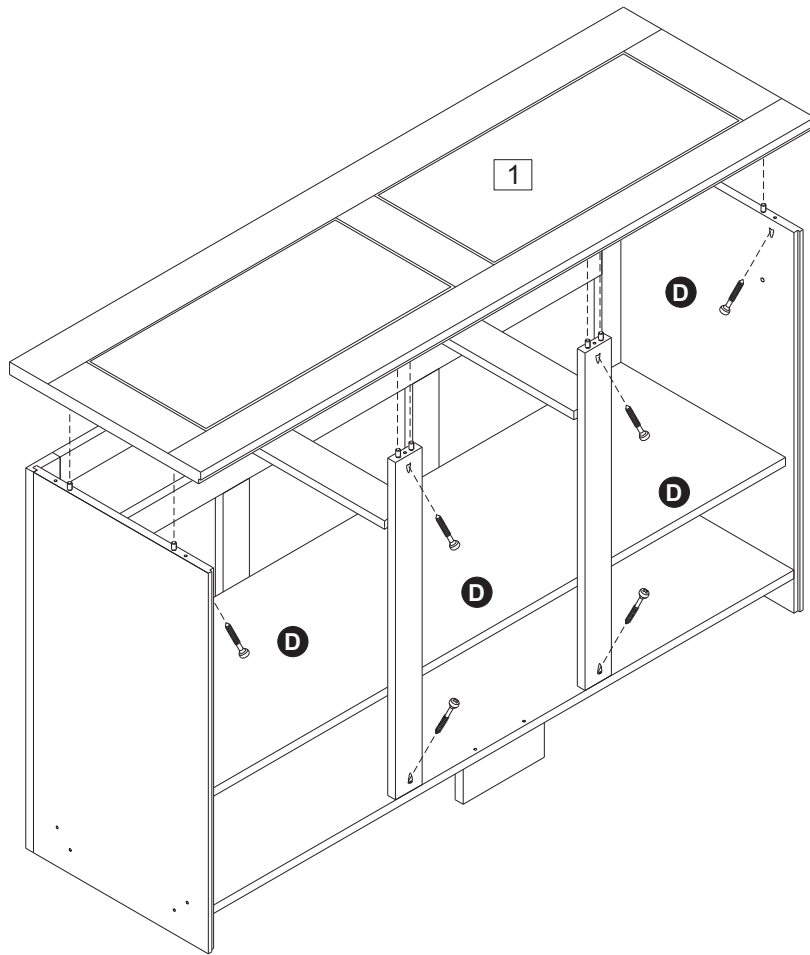
Step 8:



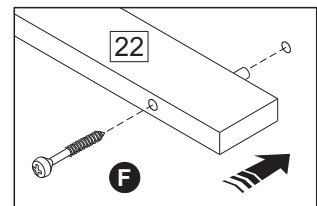
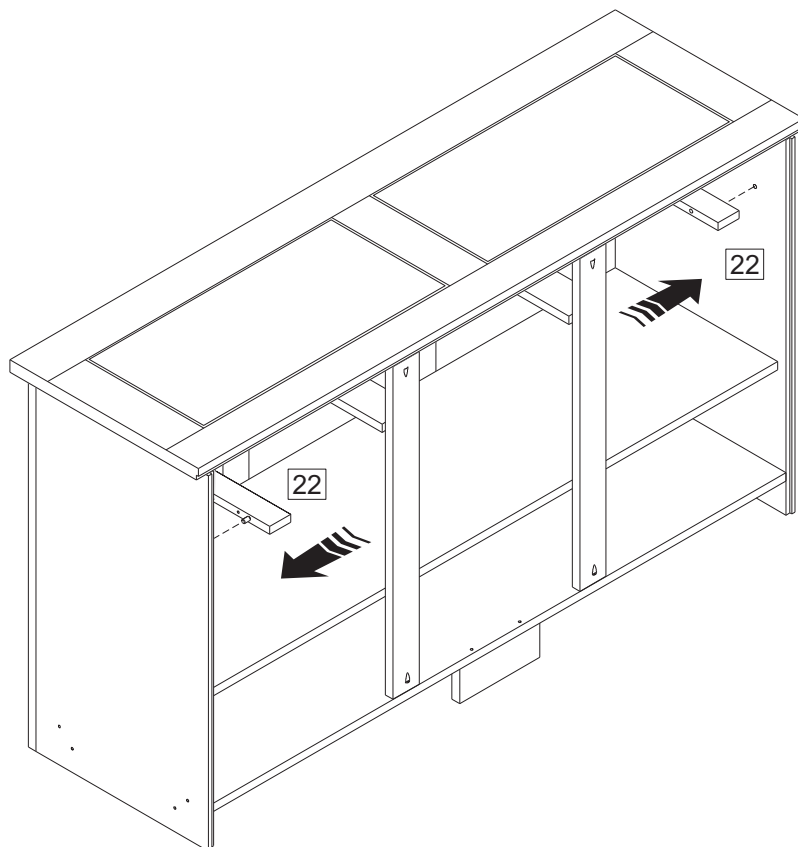
Step 9:



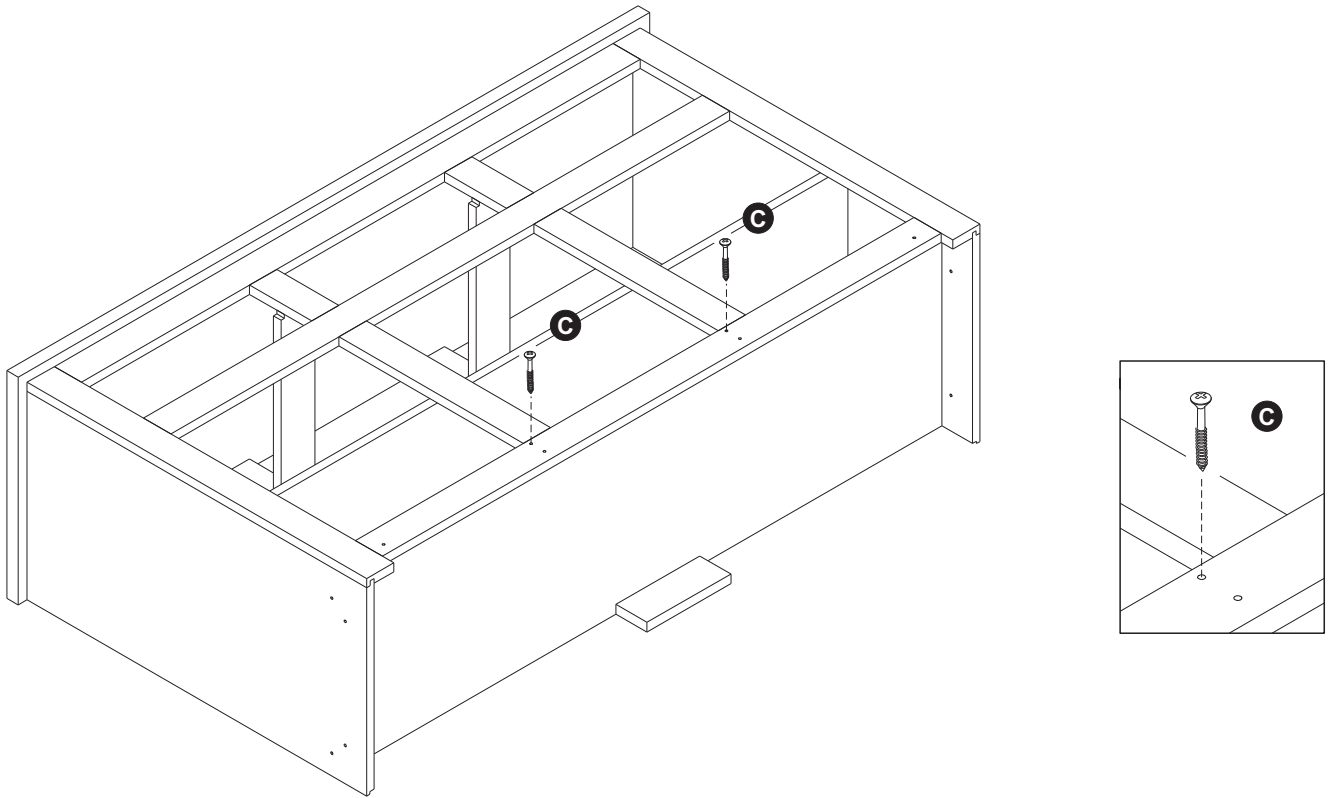
Step 10:



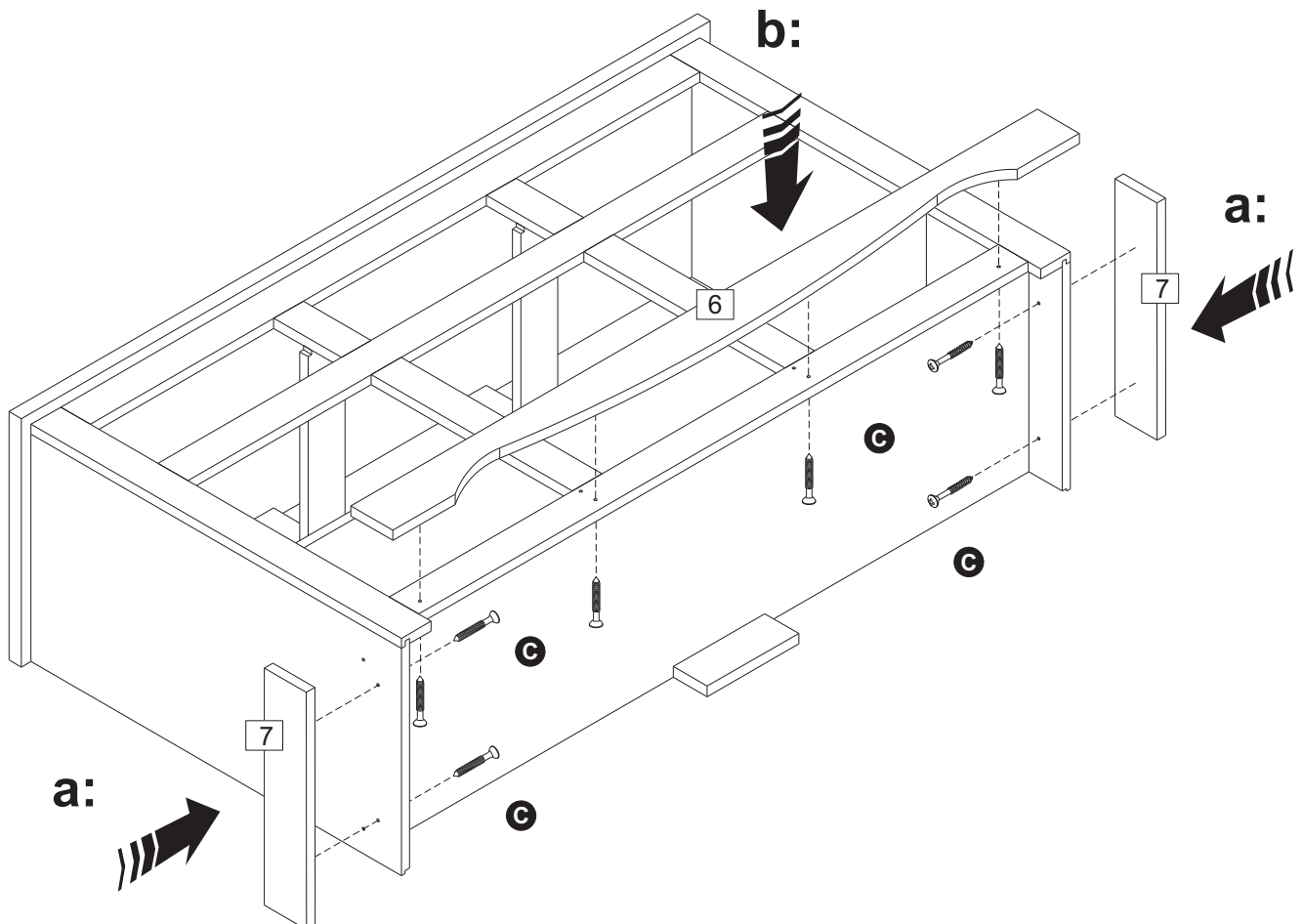
Step 11:



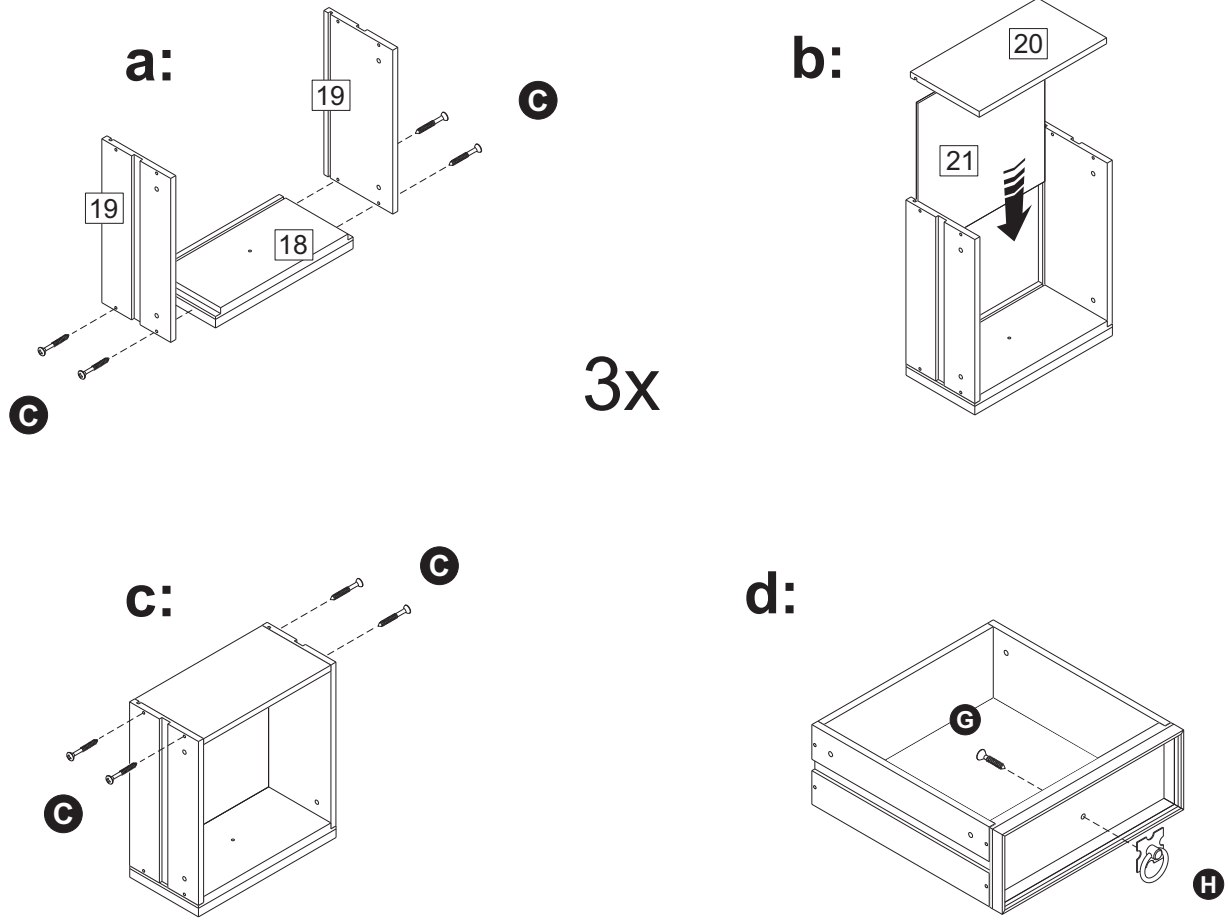
Step 12:



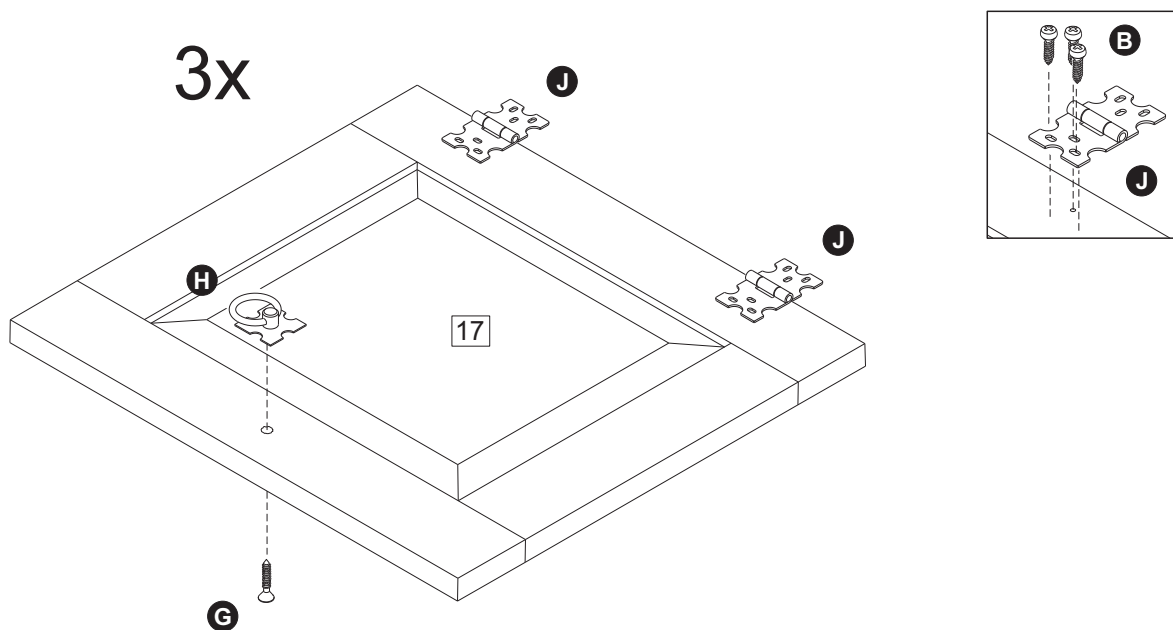
Step 13:



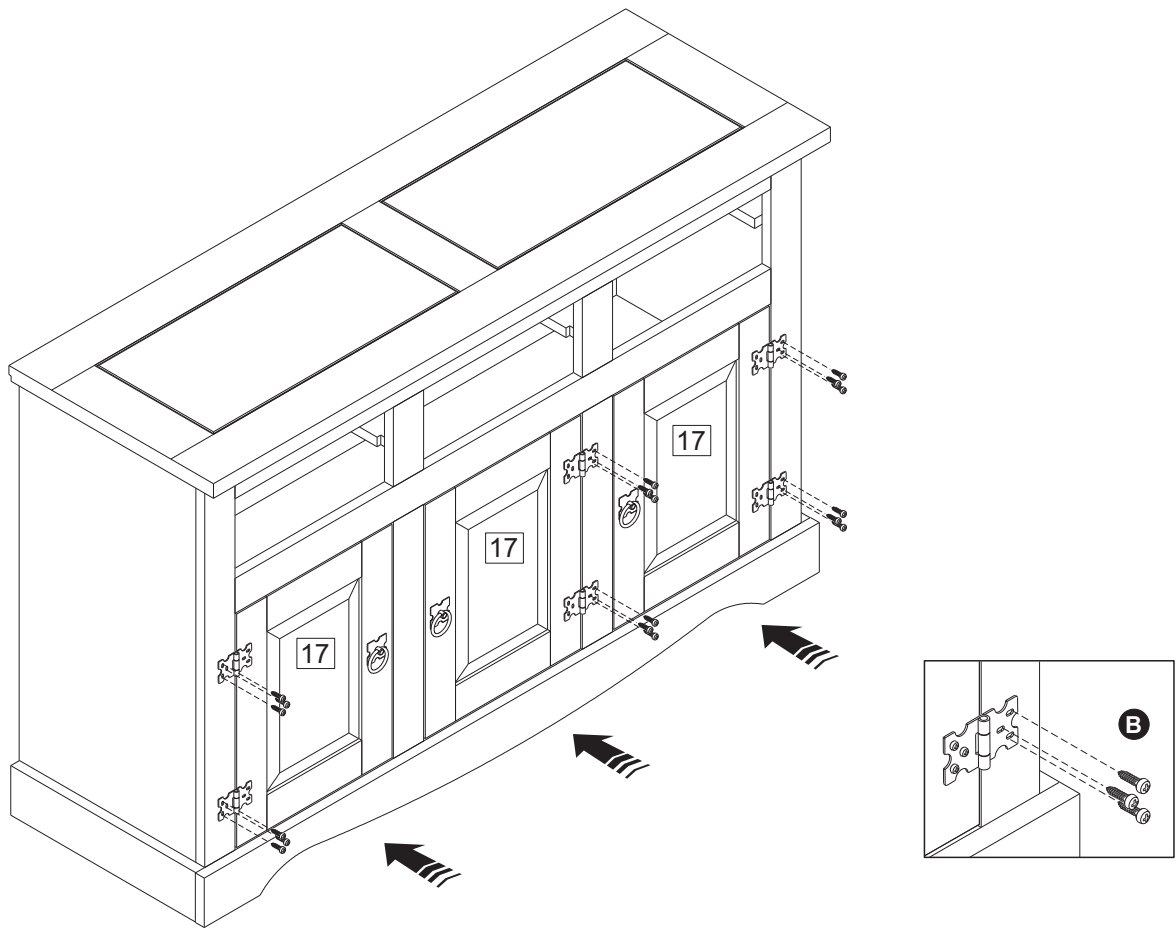
Step 14:



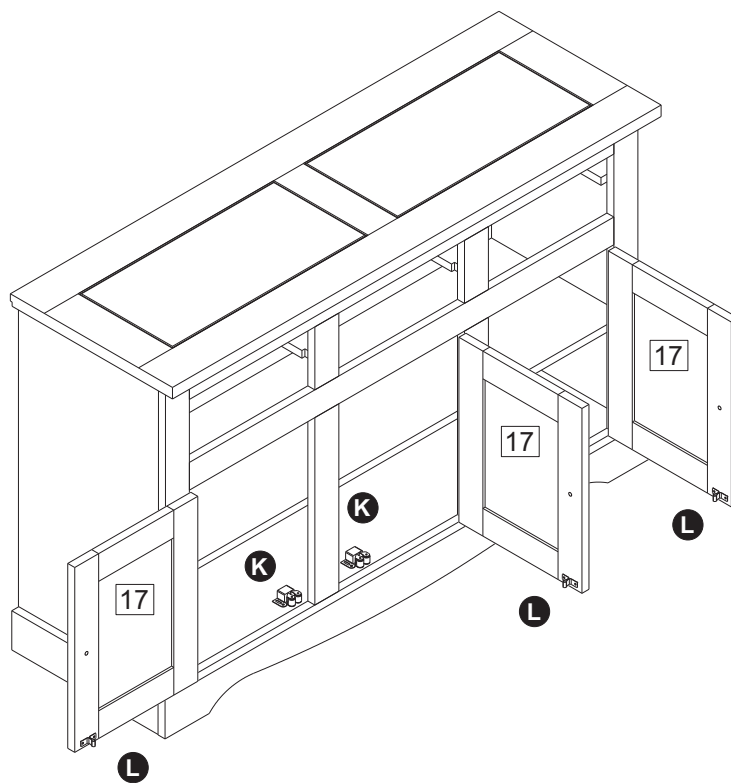
Step 15:



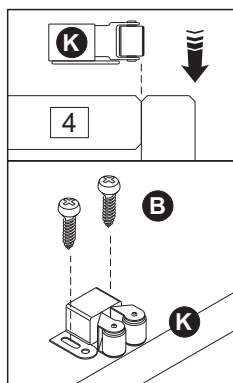
Step 16:



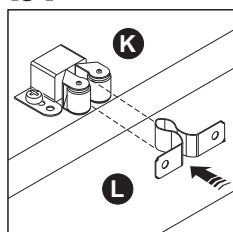
Step 17:



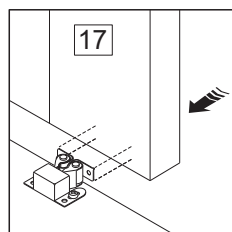
a:



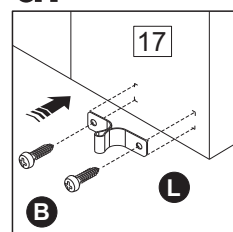
b:



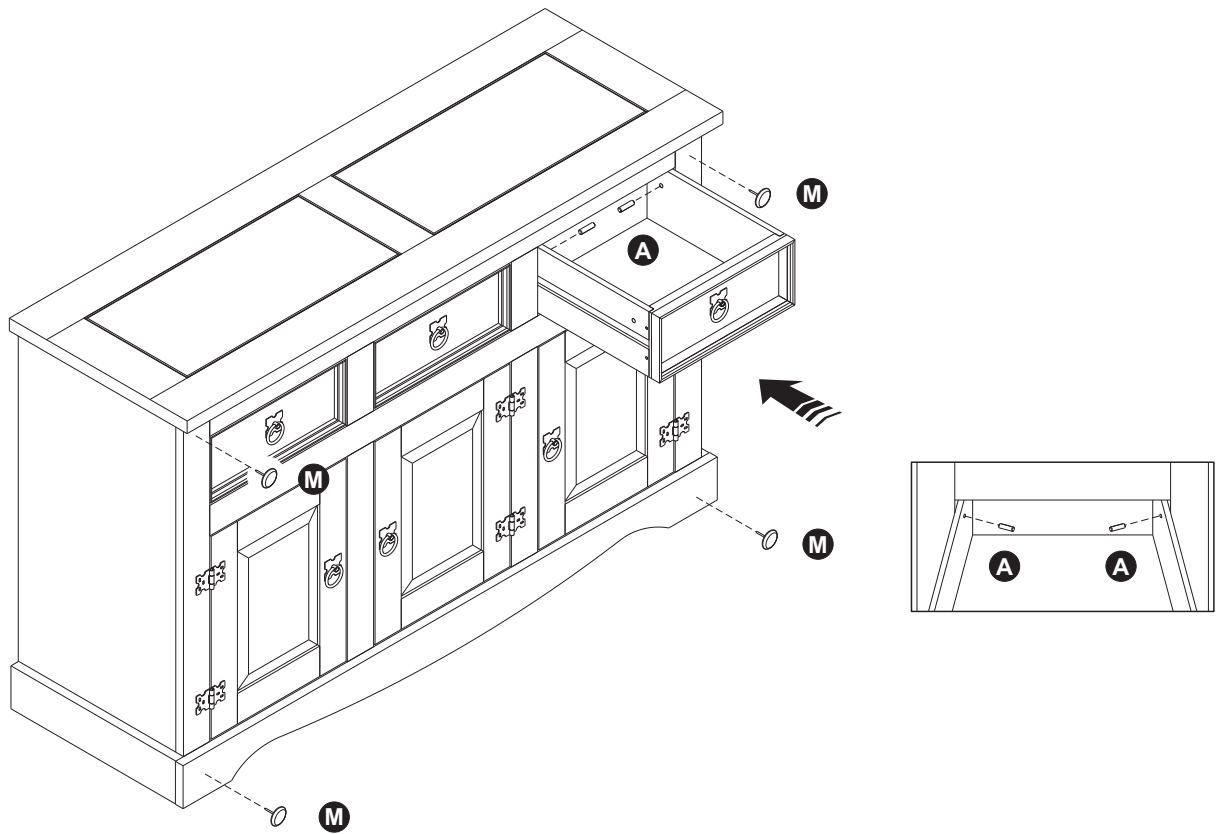
c:



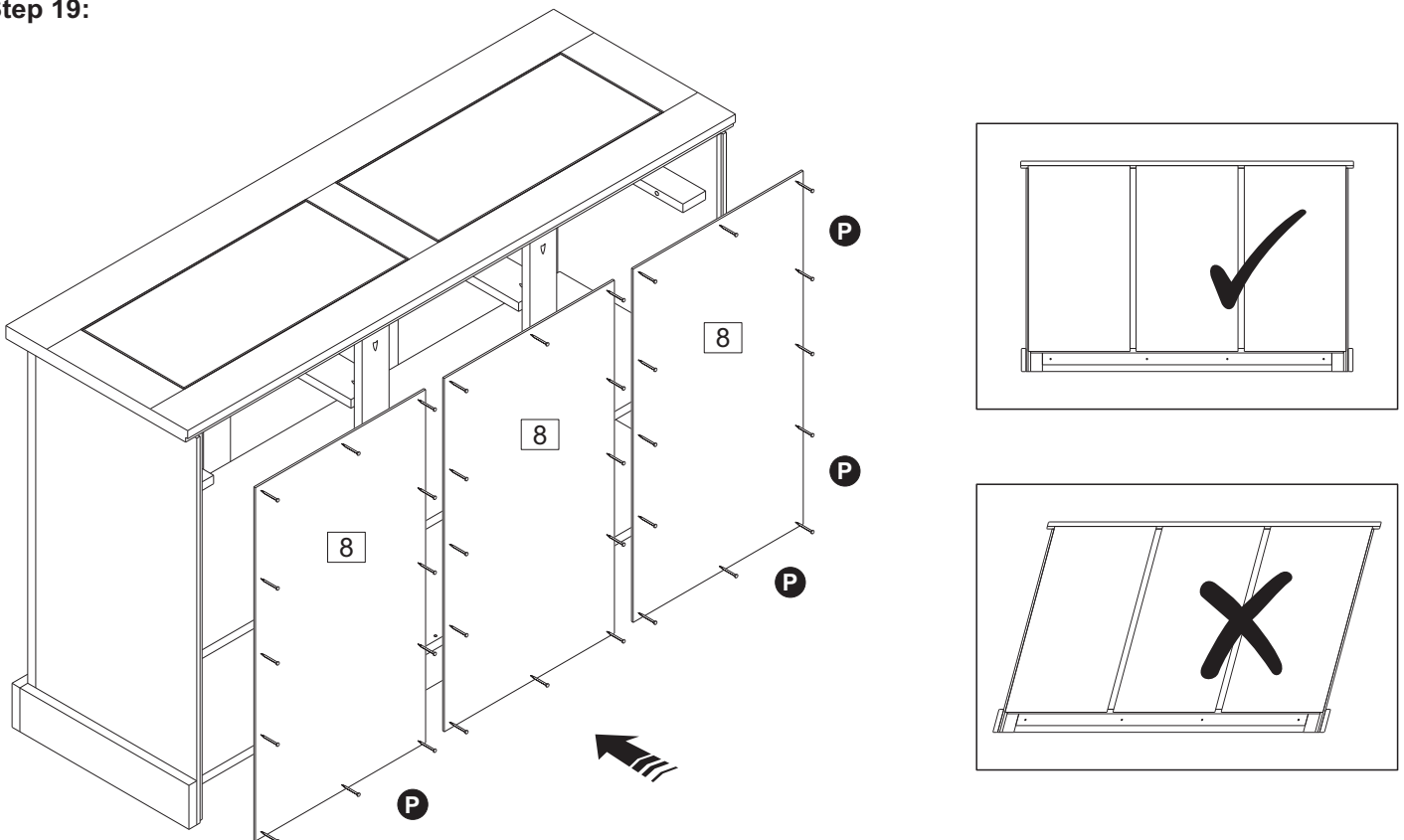
d:



Step 18:



Step 19:



Additional Information

If you have any issues with your item please contact the retailer directly you purchased it from who will be able to resolve any issues.