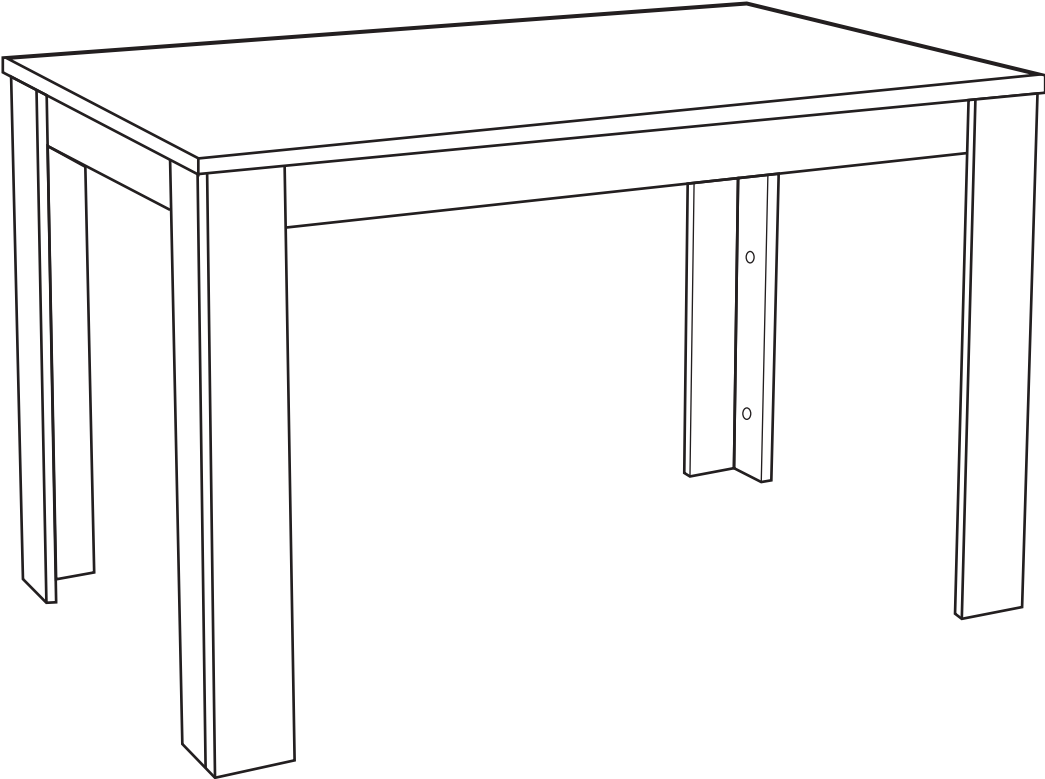




# Medina 4 Seat Dining Table

## Assembly Instructions

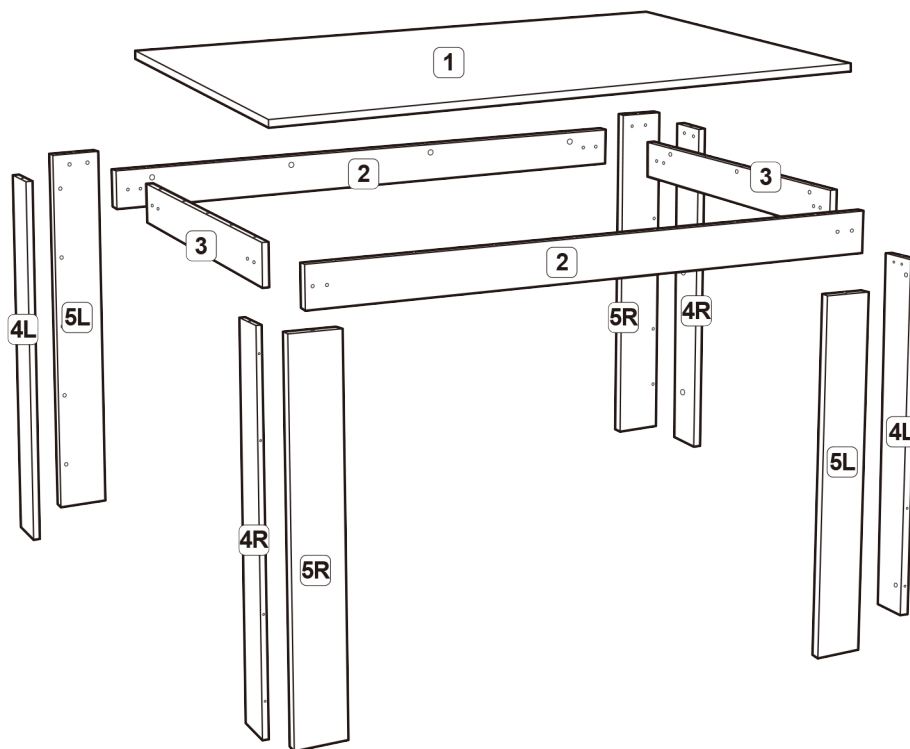
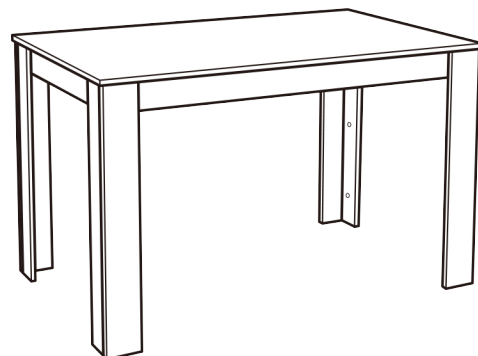
SKU: 3331062 & 1064 & 1699 & 1701



# DINING TABLE ASSEMBLY INSTRUCTIONS

**Before  
you start,  
here is  
some  
helpful  
advice**

- We suggest you spend a short time reading through this leaflet and follow the simple step-by-step assembly instructions.
- Do not discard any of the packaging until you have checked that you have all the parts and the pack of fittings.
- Assemble this product on a flat surface.
- Assemble all parts loosely before tightening any bolts.
- Discard all extra fittings and keep fittings out of reach of children.
- This unit can be assembled by 1 person.
- Approximate time of assembly: 30 minutes.
- To clean, wipe clean with a soft dry cloth.
- Periodically check and ensure that all bolts are tightened.
- Retain Assembly Instructions for future reference.

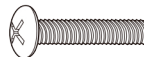
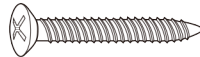



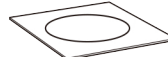


PARTS LIST	CODE	DESCRIPTION	QTY.
	1	TABLE TOP	1
	2	LONG SIDE PANEL	2
	3	SHORT SIDE PANEL	2
	4L	LEFT NARROW LEG	2
	4R	RIGHT NARROW LEG	2
	5L	LEFT WIDE LEG	2
	5R	RIGHT WIDE LEG	2

**Additional tools required:**

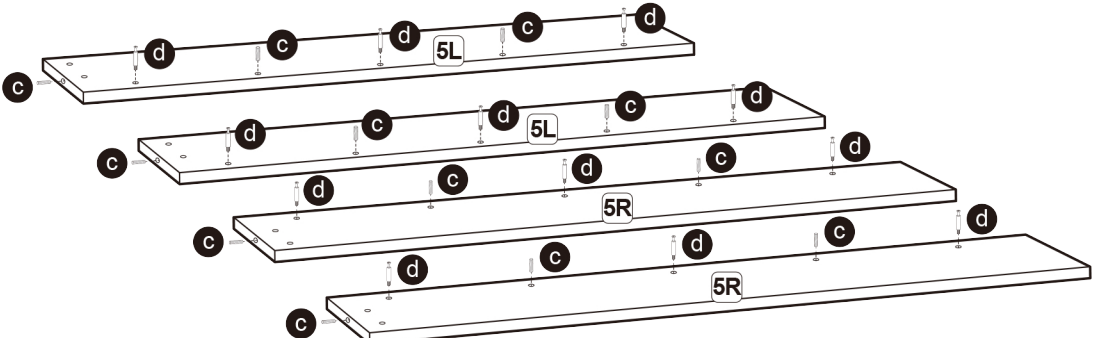
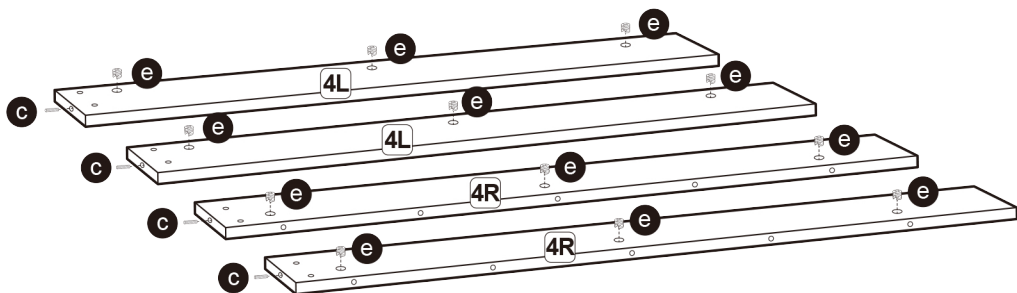
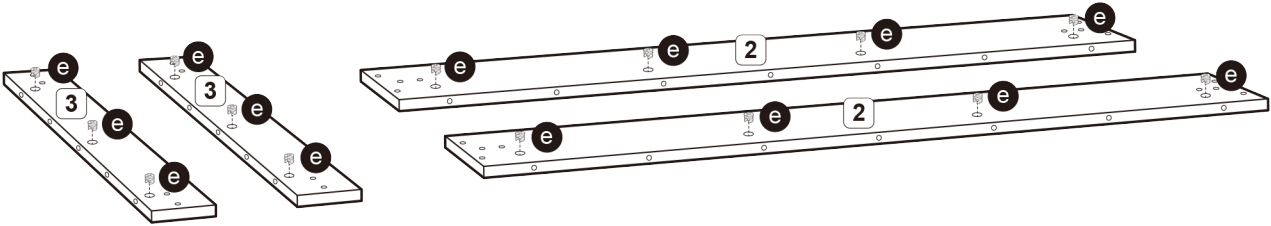
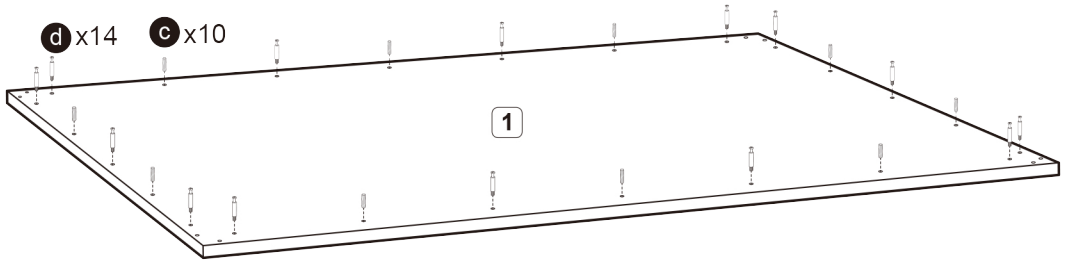
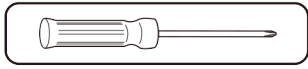
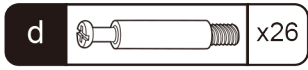
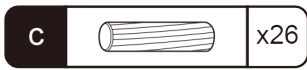
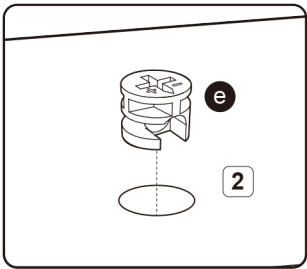
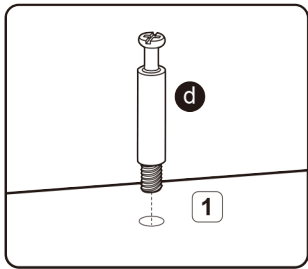
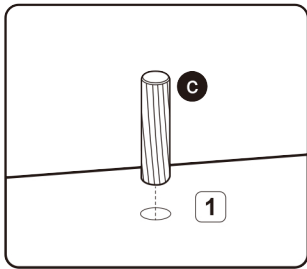


Crosshead Screwdriver

FITTINGS LIST	CODE	DESCRIPTION	QTY.
	a	 BOLT 25mm	16
	b	 SCREW	8
	c	 DOWEL	26
	d	 CAM BOLT	26
	e	 CAM LOCK	26
	f	 ADHESIVE PAD	12

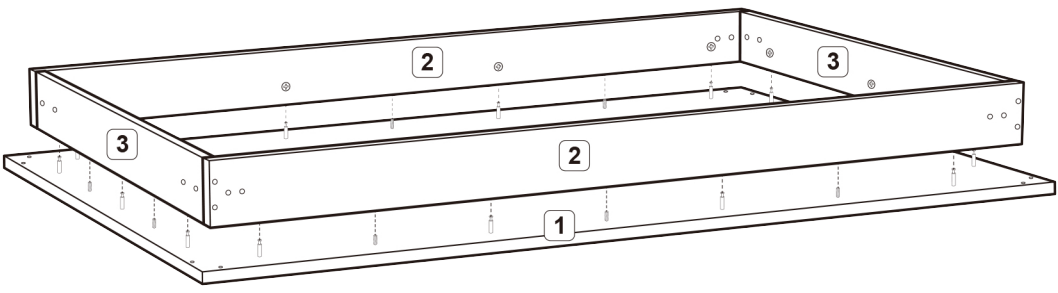
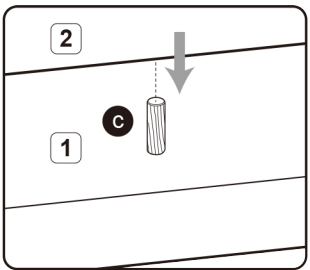
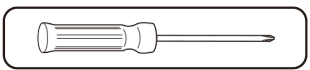
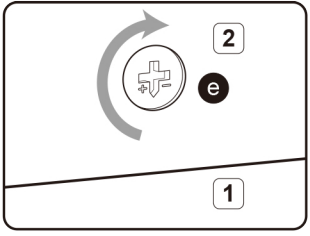
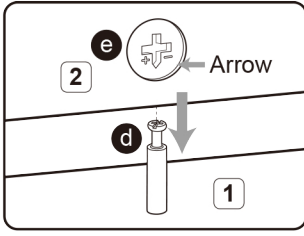
1

**NOTE:**  
Lay all parts on a soft protected surface as shown.

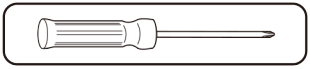
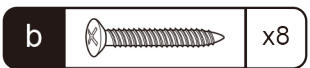
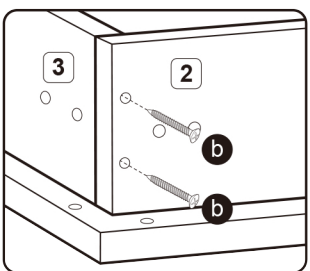
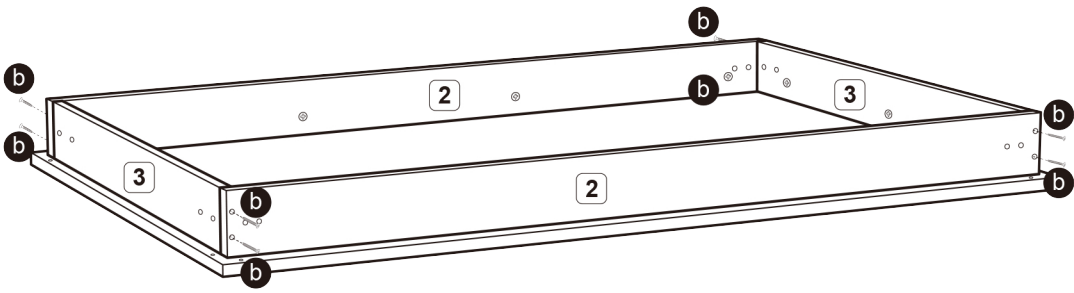


2

**NOTE:**  
The arrow on cam lock **e** must point towards the cam stud **d**. Insert the cam lock into cam stud then lock using a crosshead screwdriver.

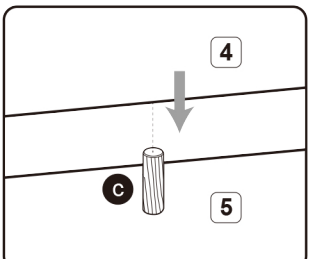
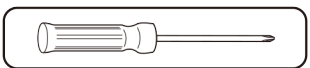
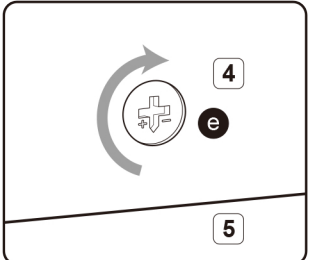
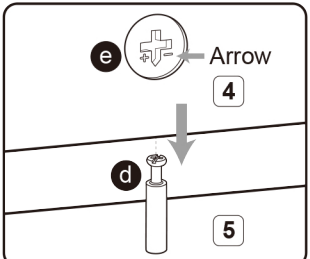
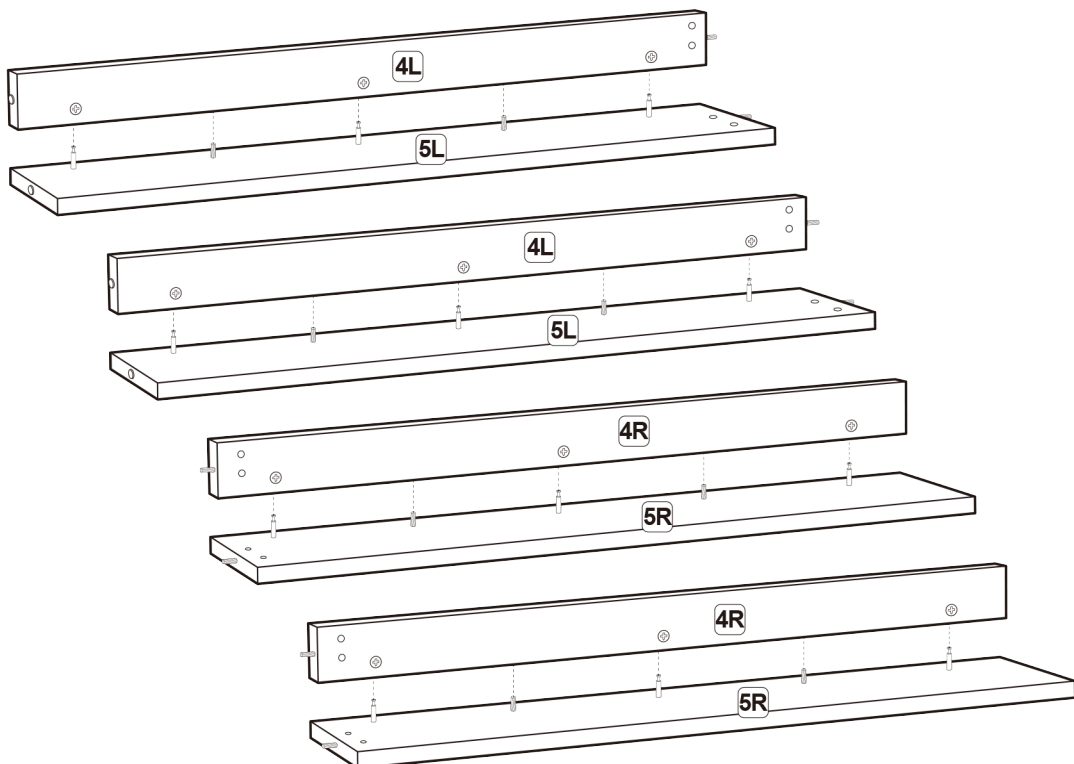


3

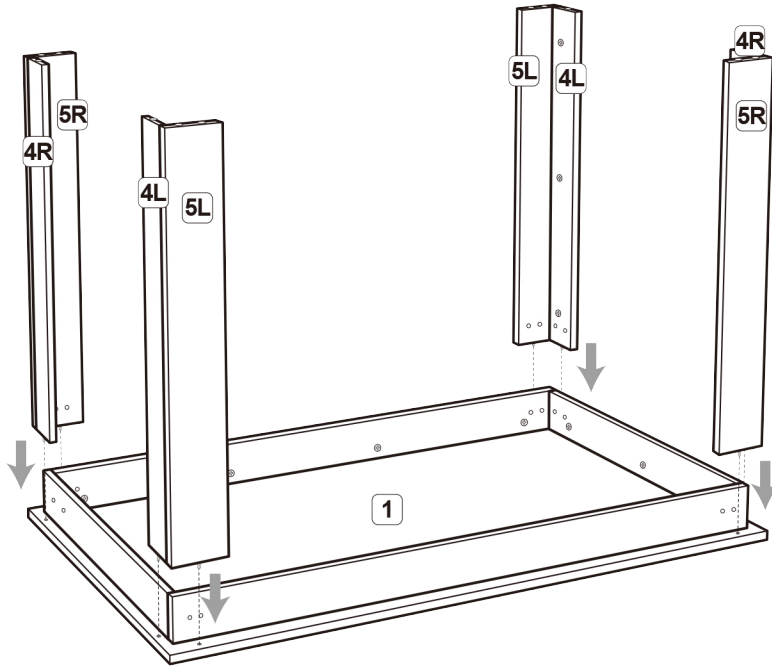


4

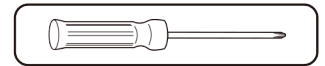
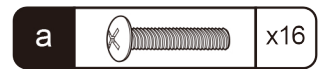
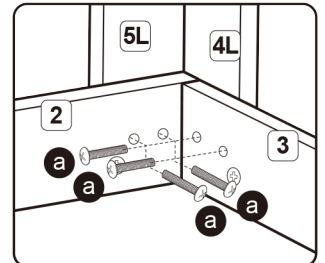
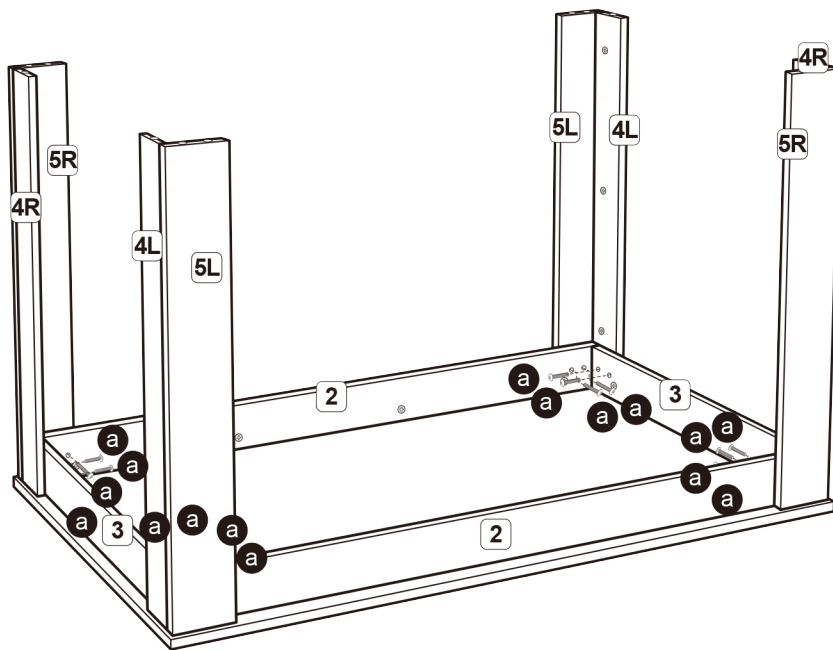
**NOTE:**  
The arrow on cam lock **e** must point towards the cam stud **d**. Insert the cam lock into cam stud then lock using a crosshead screwdriver.



5



6



7

