







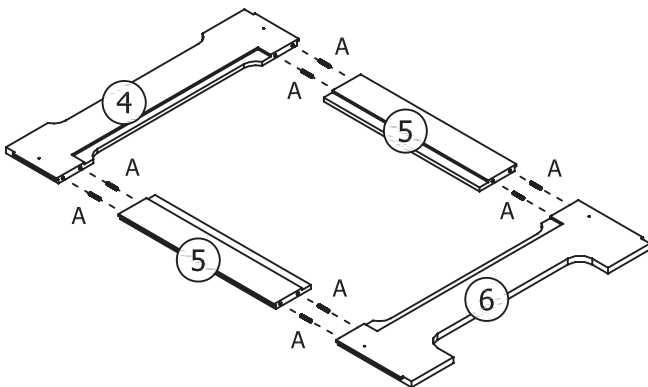
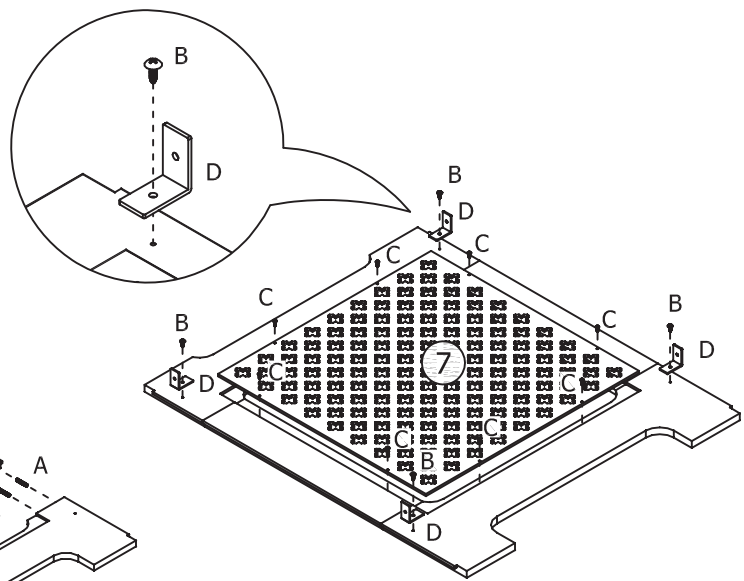
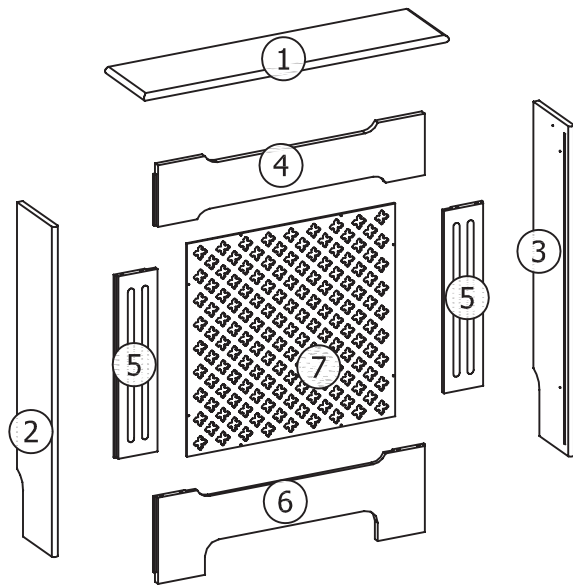
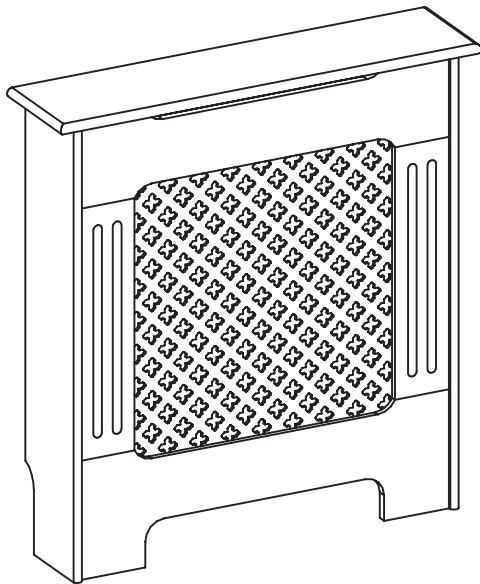


Oxford Radiator Cover

ASSEMBLY INSTRUCTIONS

<<Before assembling, read all the instruction>>

<p>Ax8</p>  <p>Ø6x30mm</p>	<p>Bx16</p>  <p>Ø4x14mm</p>	<p>Cx8</p>  <p>Ø3x12mm</p>	<p>Dx6</p> 	<p>Ex2</p> 	<p>Fx2</p> 
<p>Gx4</p>  <p>Ø3.5x35mm</p>	<p>Hx4</p> 				



Step 1

Step 2

