







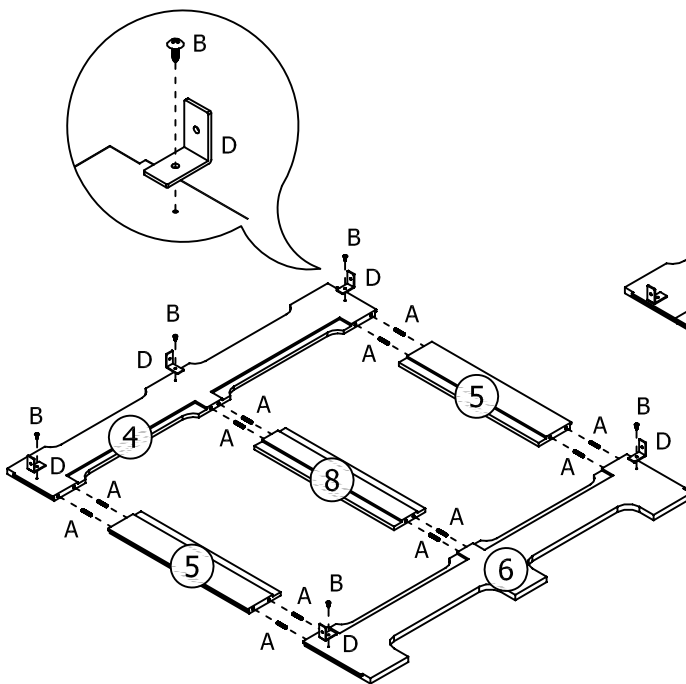
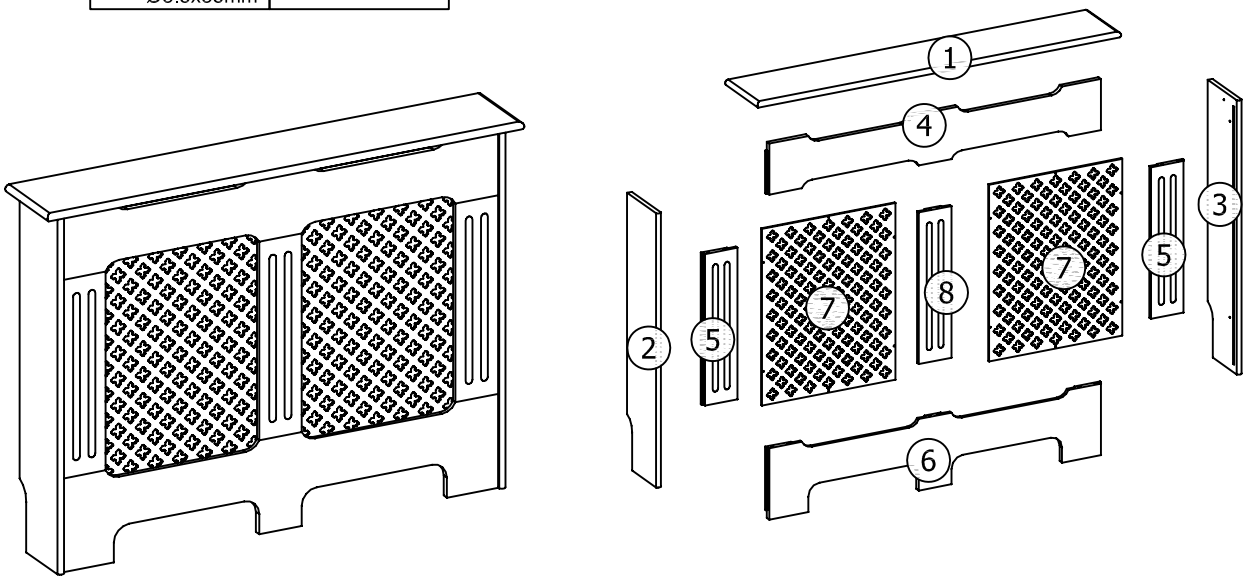


Oxford Medium Radiator Cover

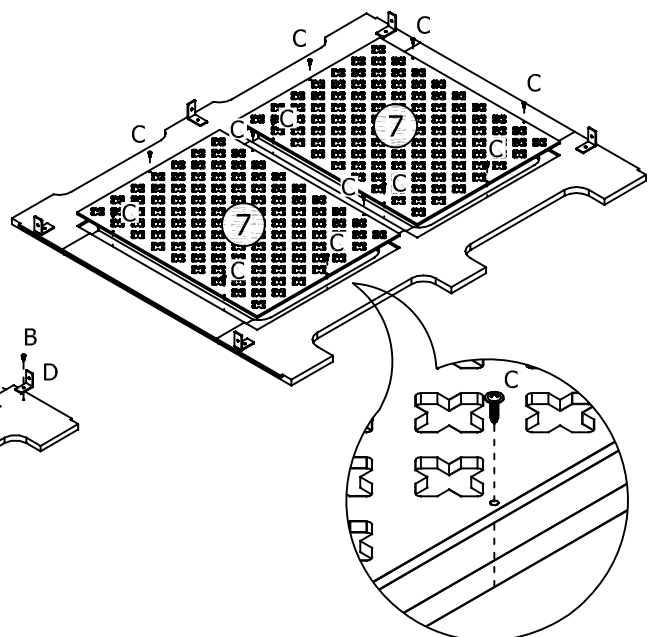
ASSEMBLY INSTRUCTIONS

<<Before assembling, read all the instruction>>

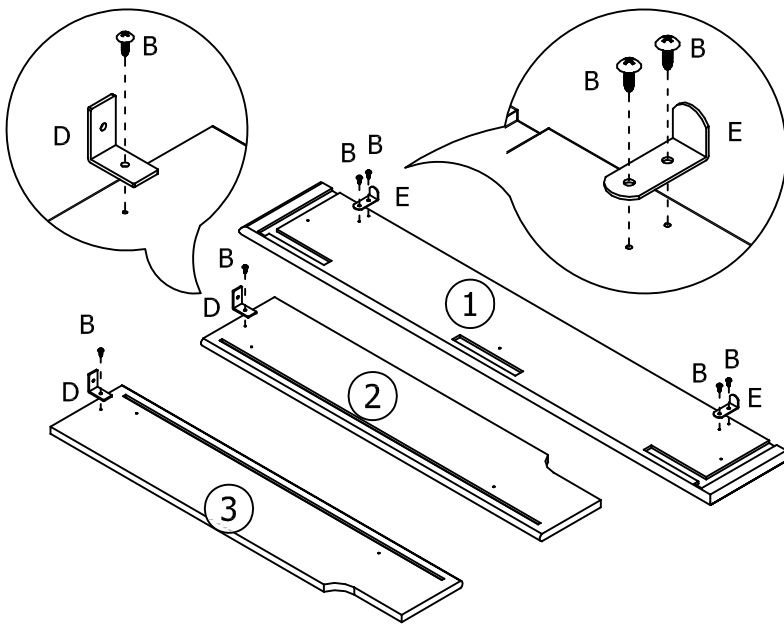
<p>Ax12</p>  <p>Ø6x30mm</p>	<p>Bx18</p>  <p>Ø4x14mm</p>	<p>Cx12</p>  <p>Ø3x12mm</p>	<p>Dx7</p> 	<p>Ex2</p> 	<p>Fx2</p> 
<p>Gx4</p>  <p>Ø3.5x35mm</p>	<p>Hx4</p> 				



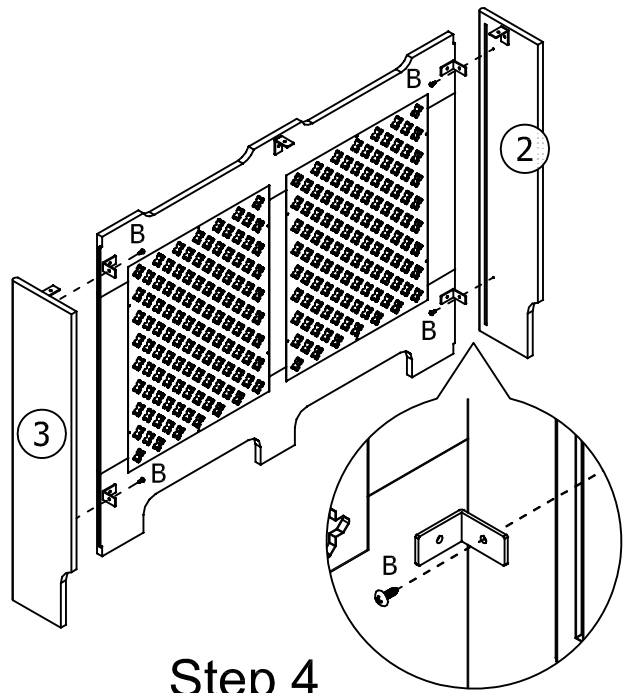
Step 1



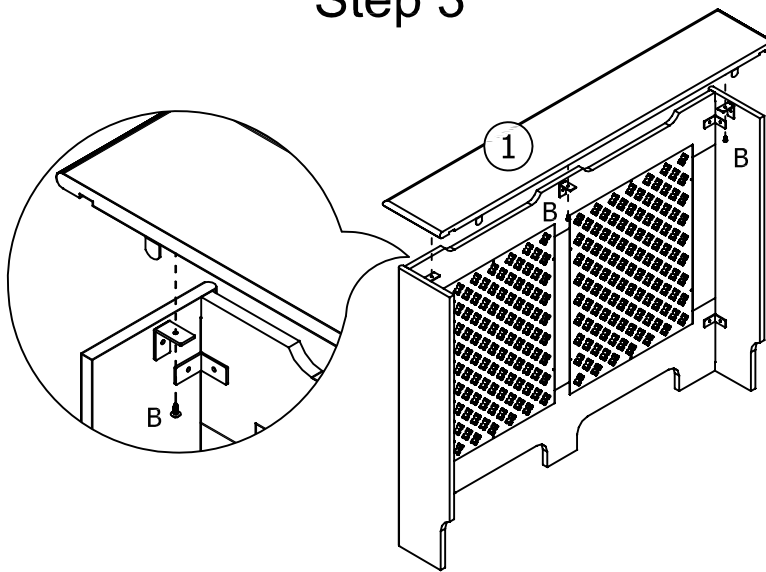
Step 2



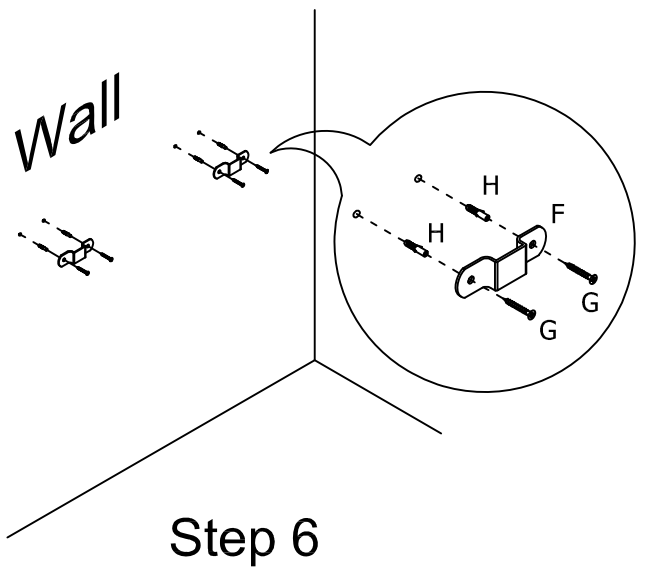
Step 3



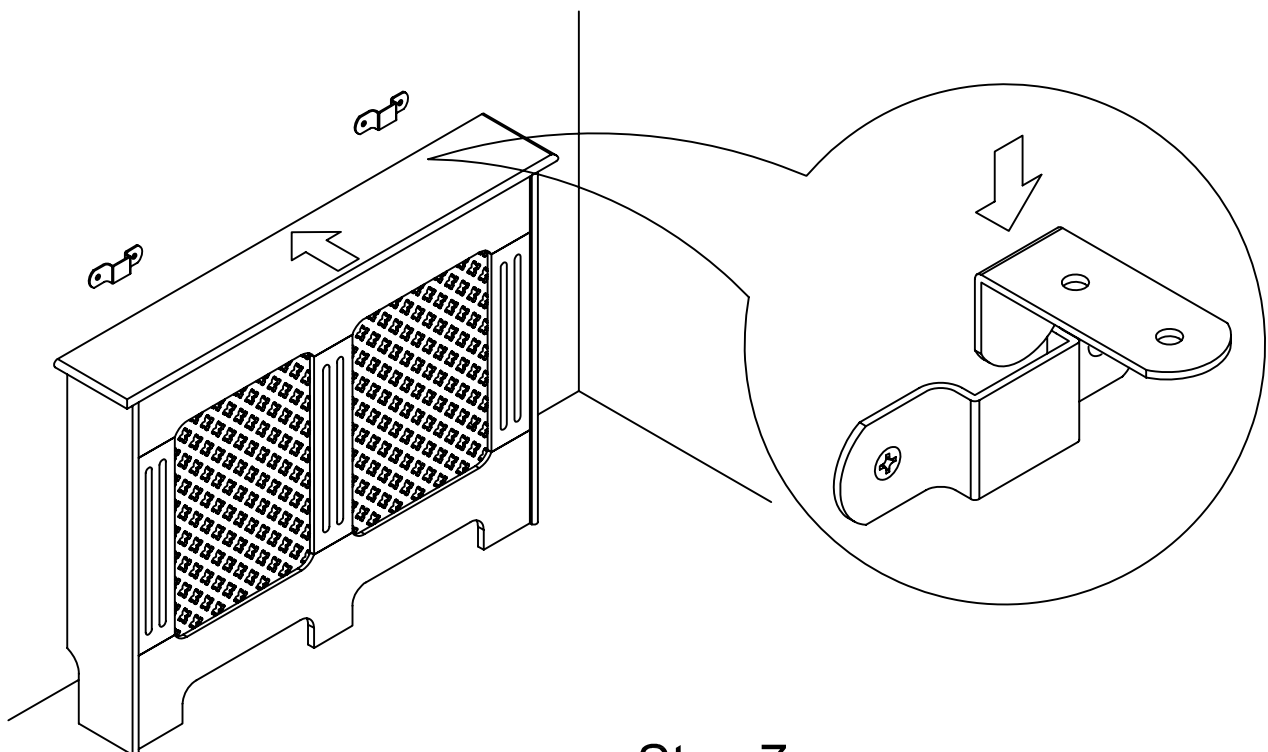
Step 4



Step 5



Step 6



Step 7