

## ASSEMBLY INSTRUCTIONS

### PANAMA SIDEBOARD

#### IMPORTANT

**READ THESE INSTRUCTIONS CAREFULLY BEFORE ASSEMBLING OR USING YOUR PANAMA SIDEBOARD.**

**PLEASE KEEP THESE INSTRUCTIONS FOR FUTURE REFERENCE.**

#### HEALTH & SAFETY:

DO NOT use this item if any parts are missing, damaged or worn.

DO NOT use this item unless all fixings are secured.

Please keep small parts out of reach of children.

Always use on a level, even surface.

It is recommended that two people handle and assemble the item.

#### CARE & MAINTENANCE:

Assemble in the room of use.

To avoid damages assemble the item on a soft, clean surface

Periodically check all screws & fixings to ensure they are secure.

DO NOT push the item as this will damage the base.

Always lift the item with two people to reposition.

Keep any sharp objects away from the item.

This product is manufactured in pine which is a wood with natural characteristics including knots, grains, clusters or indentations.

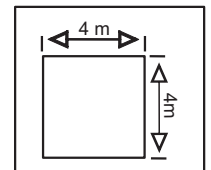
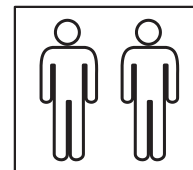
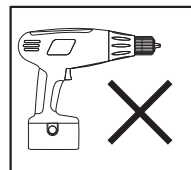
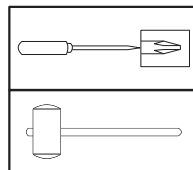
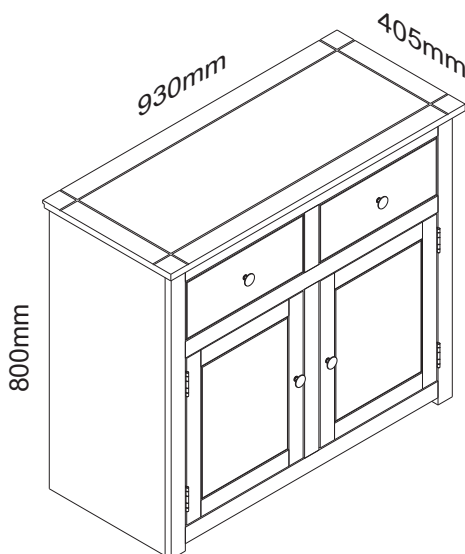
On unpacking the item you may notice an odour due to production processes but this will disappear after a period of time.

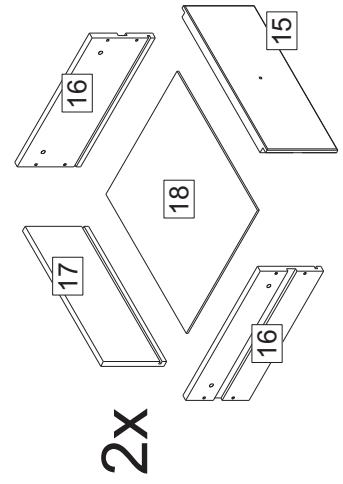
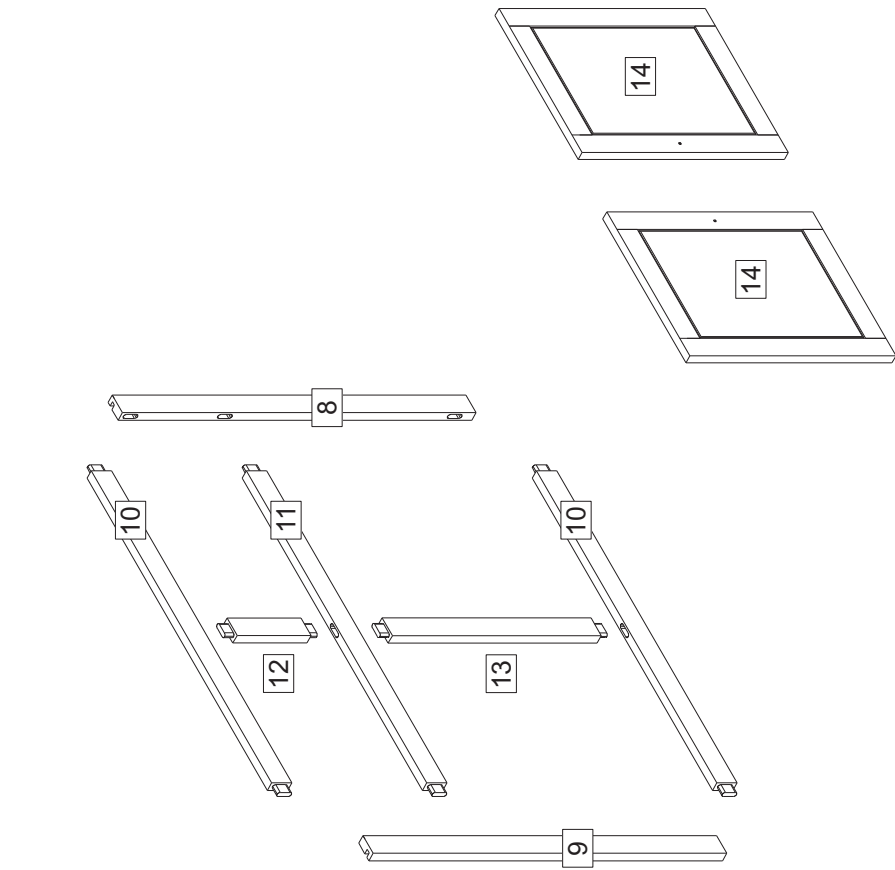
DO NOT place the item next to a radiator or direct sunlight – this item is susceptible to temperature change. It is recommended an even room temperature be maintained with no sudden fluctuations.

DO NOT place hot or cold items directly onto the surface of the item as marking will occur

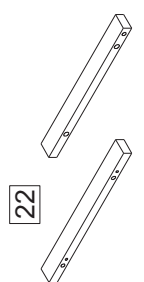
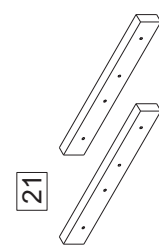
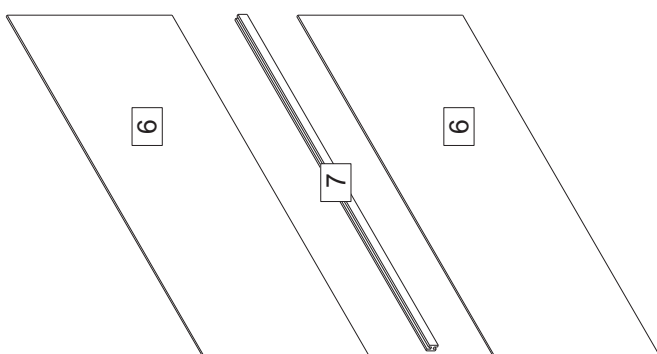
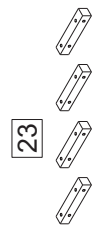
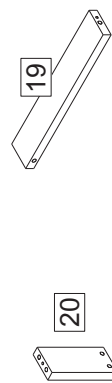
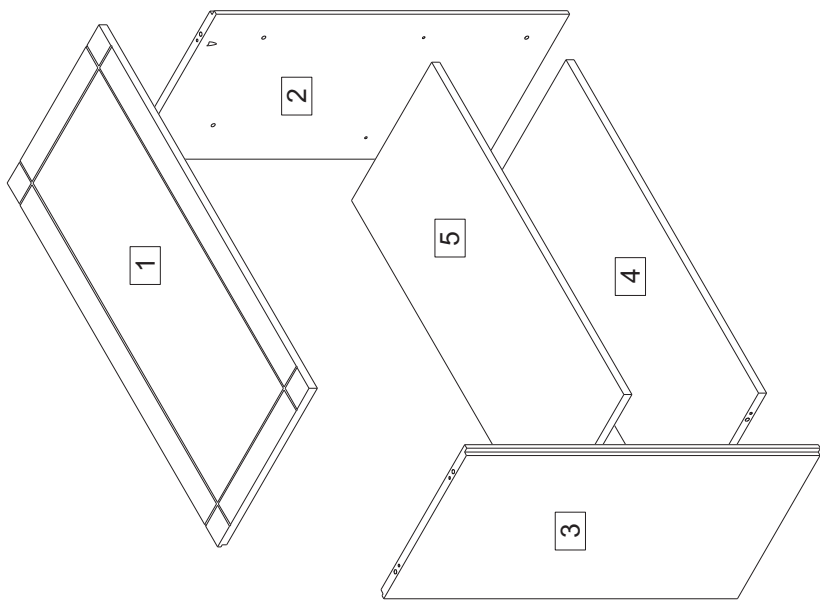
For general cleaning use a duster or damp cloth (almost dry) not wet – do not use soap and water, detergents, aerosol sprays or any polish as use of these materials would invalidate any claims.

DO NOT place the item onto wet or damp flooring as staining may occur to the floor.







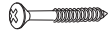
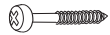
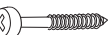






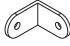

2X



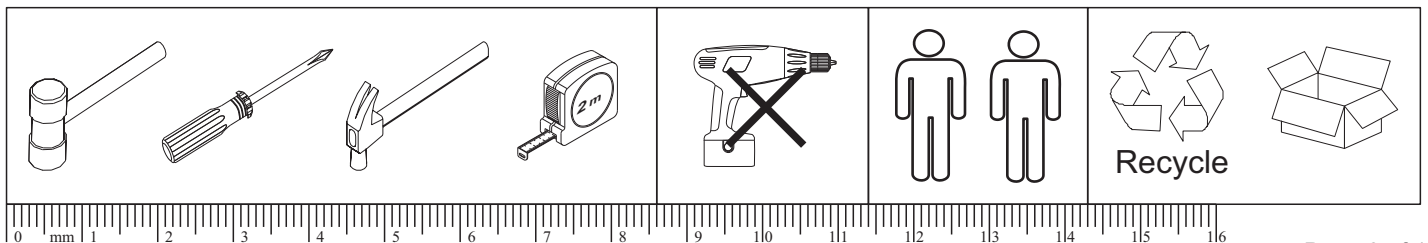
## PARTS LIST

Part	Item	Qty
1	Top Panel	1
2	Right Panel	1
3	Left Panel	1
4	Base Panel	1
5	Shelf panel	1
6	Back panel	2
7	Spine	1
8	Right Front Frame	1
9	Left Front Frame	1
10	Front Frame	2
11	Centre Front Frame	1
12	Small Vertical Frame	1
13	Vertical Frame	1
14	Door	2
15	Drawer Front	2
16	Drawer Side	4
17	Drawer Back	2
18	Drawer Base	2
19	Middle Drawer Runner	1
20	Back column	1
21	Cross Rail	2
22	Side Drawer Runner	2
23	Cleat	4

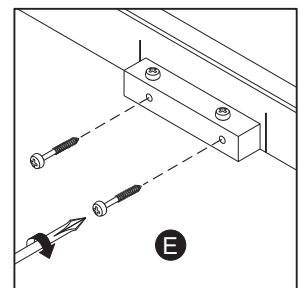
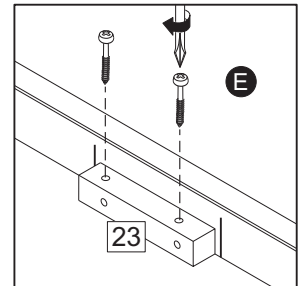
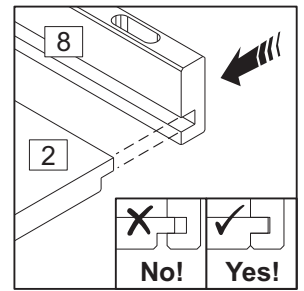
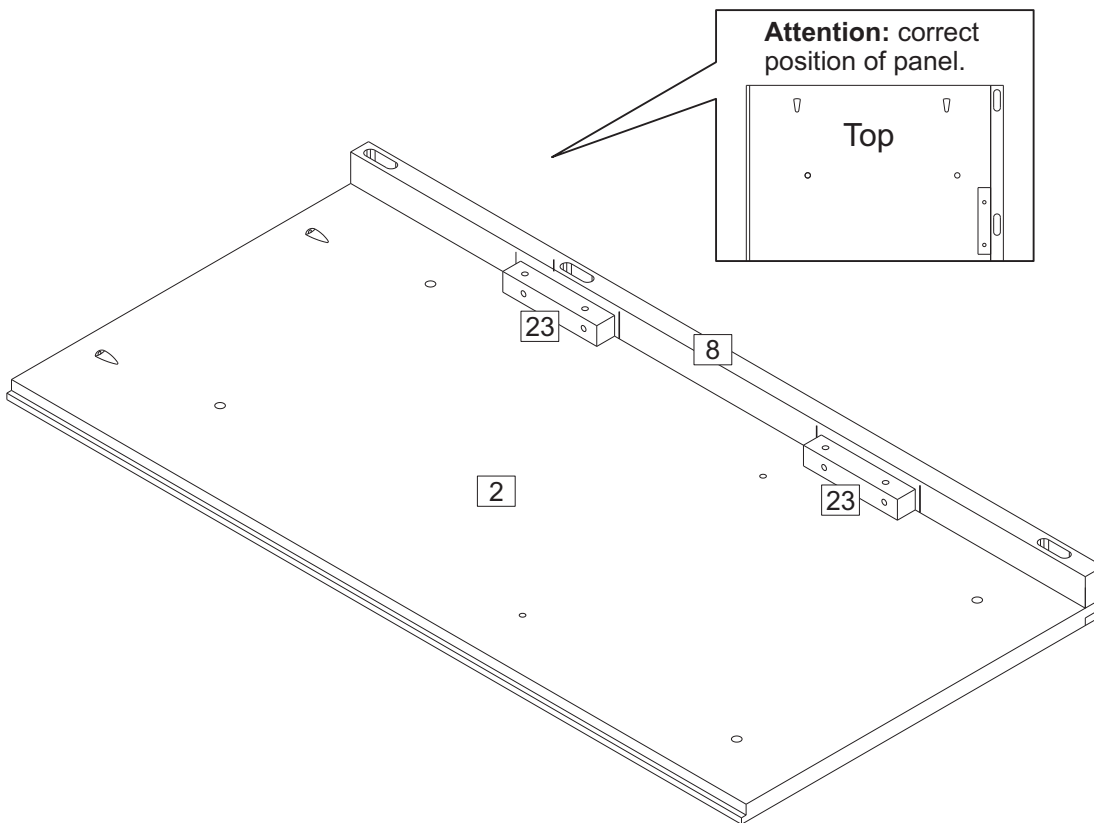
## HARDWARE LIST

Part	Item	Qty
<b>A</b>	Wooden dowel 	25
<b>B</b>	14mm Screw 	26
<b>C</b>	30mm Screw 	16
<b>D</b>	30mm Screw 	8
<b>E</b>	35mm Screw 	31
<b>F</b>	19mm Bolt 	4
<b>G</b>	Handle 	4
<b>H</b>	Door Hinge 	4
<b>J</b>	Clip 	2
<b>K</b>	Plug 	2
<b>L</b>	Shelf Support 	4
<b>M</b>	Corner bracket 	1
<b>N</b>	Tack 	36

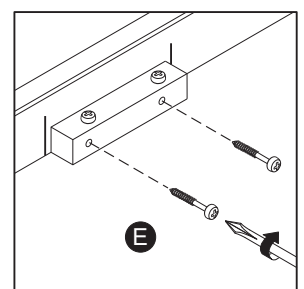
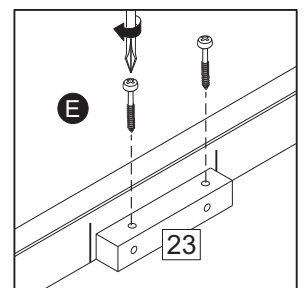
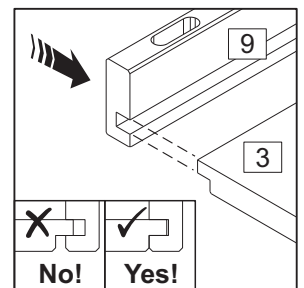
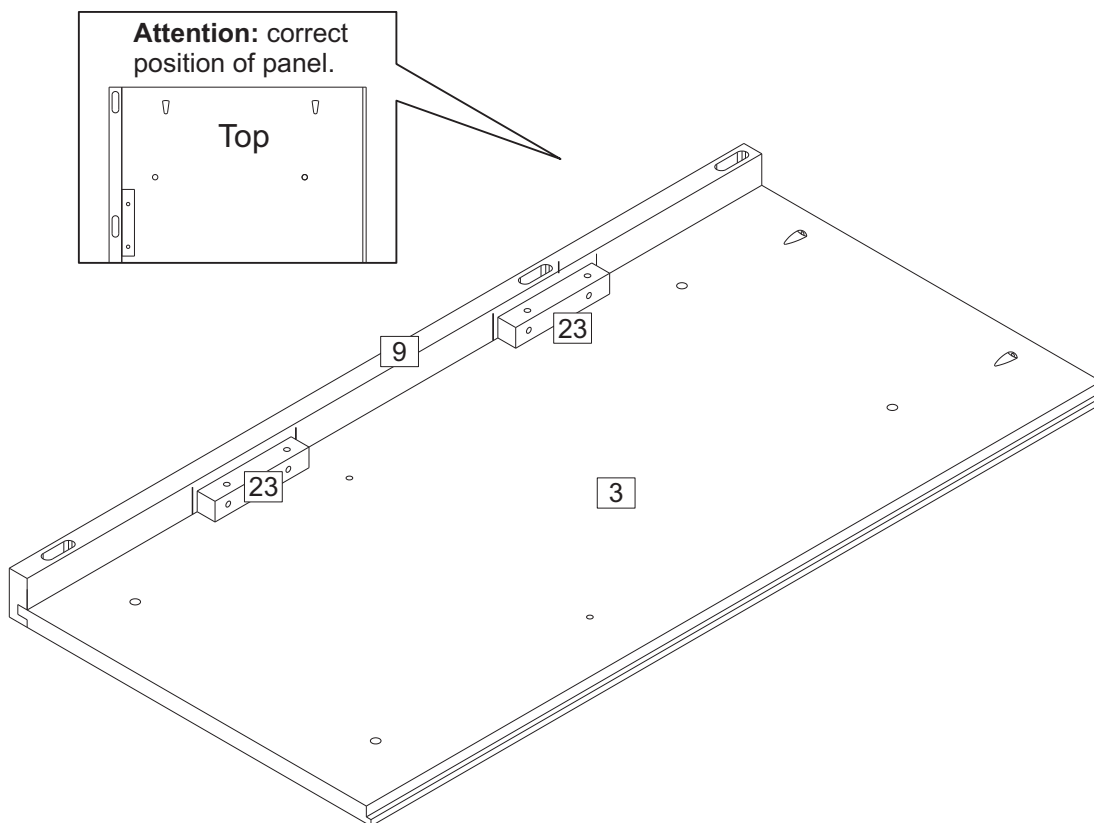
You will need a small mallet and a screwdriver.



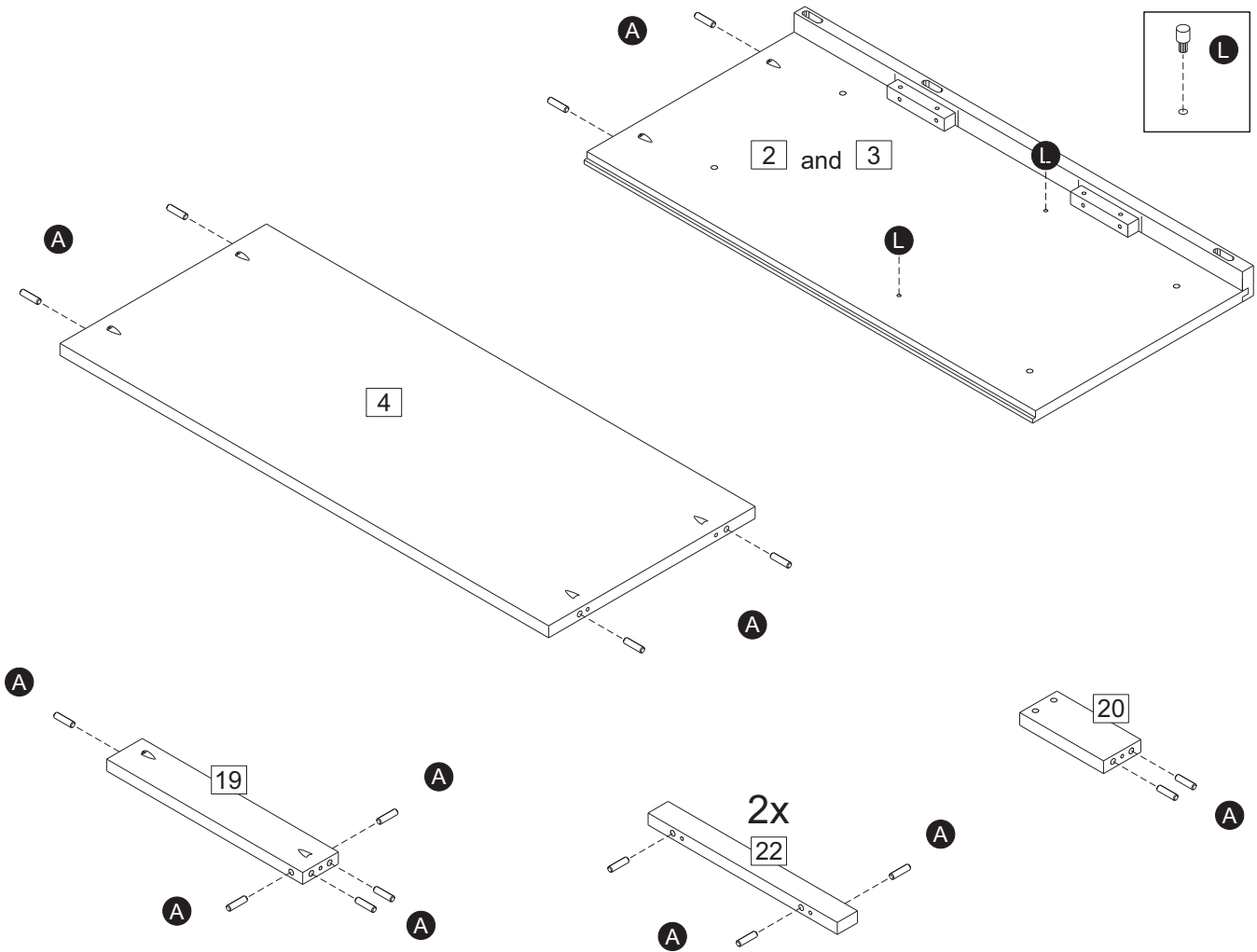
**Step 1:** Insert the right panel (2) to the right front frame (8) making sure the parts are pushed together and lined up. Place the cleats (23) between the marks shown and secure using hardware part D and a screwdriver (not provided).  
**DO NOT use any power tools as this may damage the frame and will invalidate any claim.**



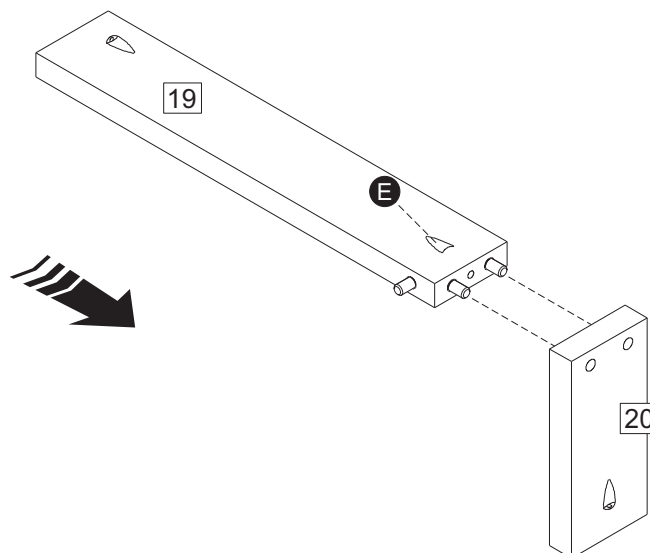
**Step 2:** Insert the left panel (3) to the left front frame (5) making sure the parts are pushed together and lined up. Place the cleats (15) between the marks shown and secure using hardware part D and a screwdriver (not provided).  
**DO NOT use any power tools as this may damage the frame and will invalidate any claim.**



**Step 3:** Insert hardware part A using a small mallet (not provided).  
**DO NOT** use any power tools as this may damage the frame and will invalidate any claim

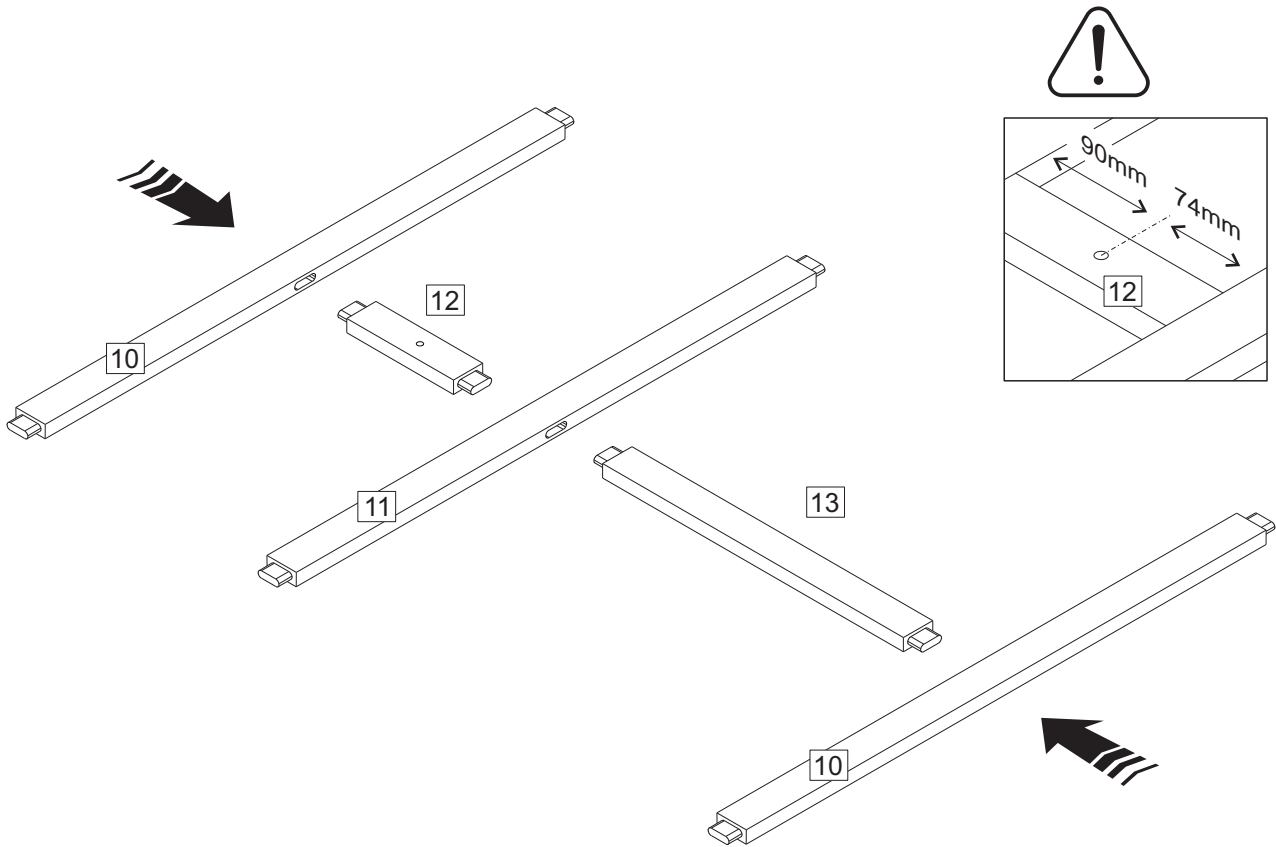


**Step 4:** Connect the back column (20) to the middle drawer runner (19) using hardware part E and a screwdriver (not provided).  
**DO NOT** use any power tools as this may damage the frame and will invalidate any claim.



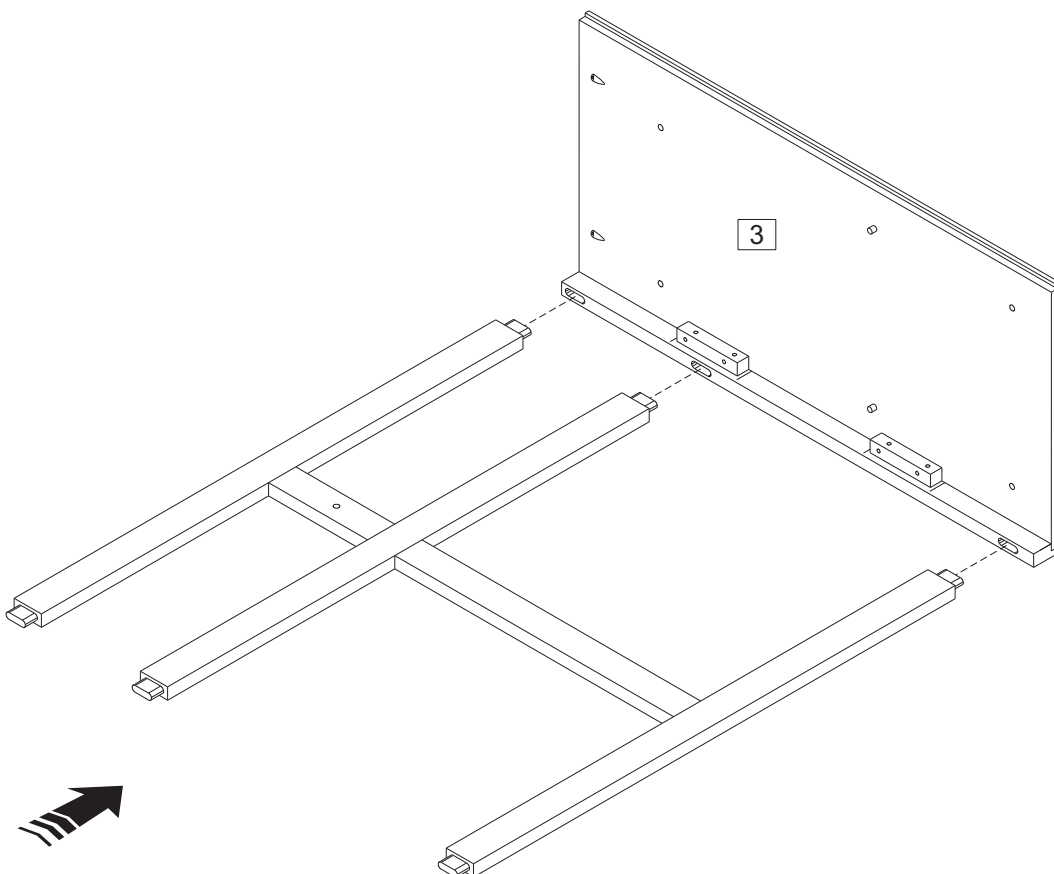
**Step 5:** Connect the front frames (10) and centre front frame (11) to the small vertical frame (12) and vertical frame (13).

**DO NOT** use any power tools as this may damage the frame and will invalidate any claim.

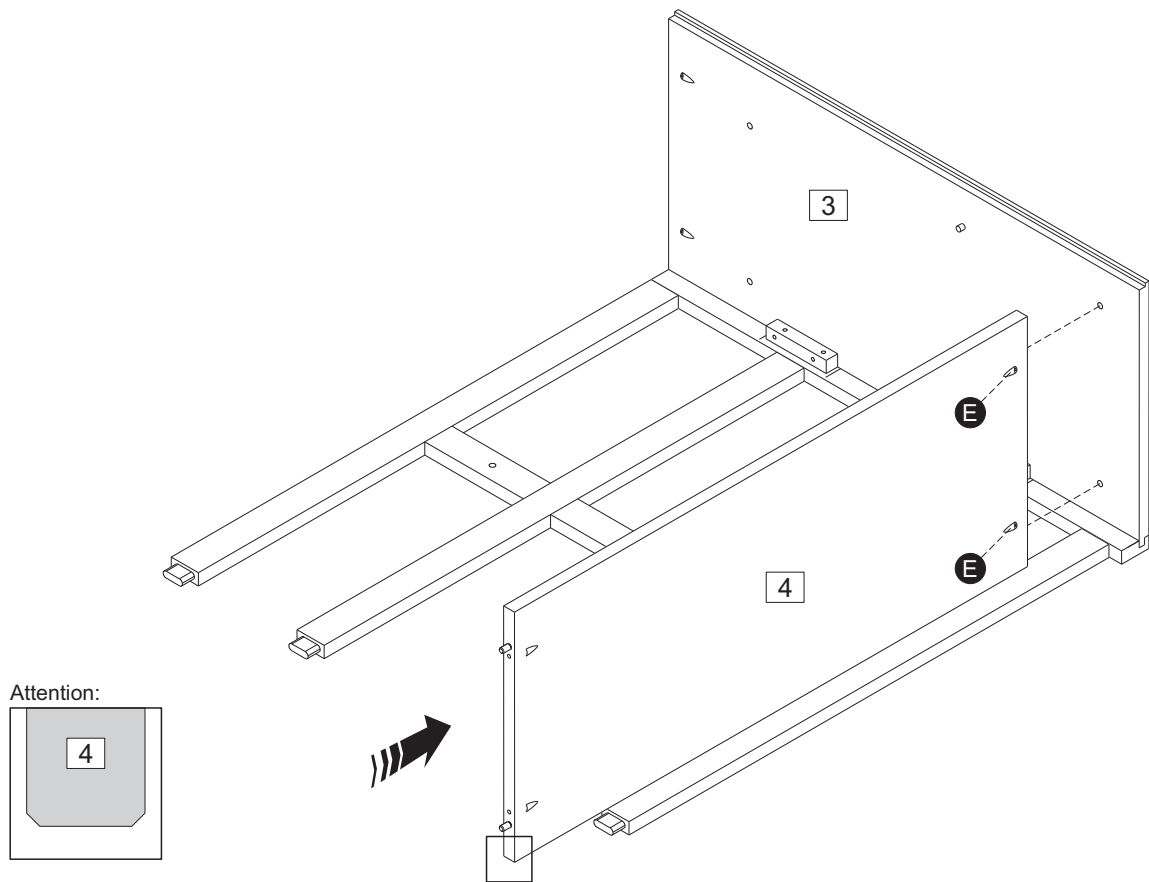


**Step 6:** Attach the left panel (3) to the front frame section.

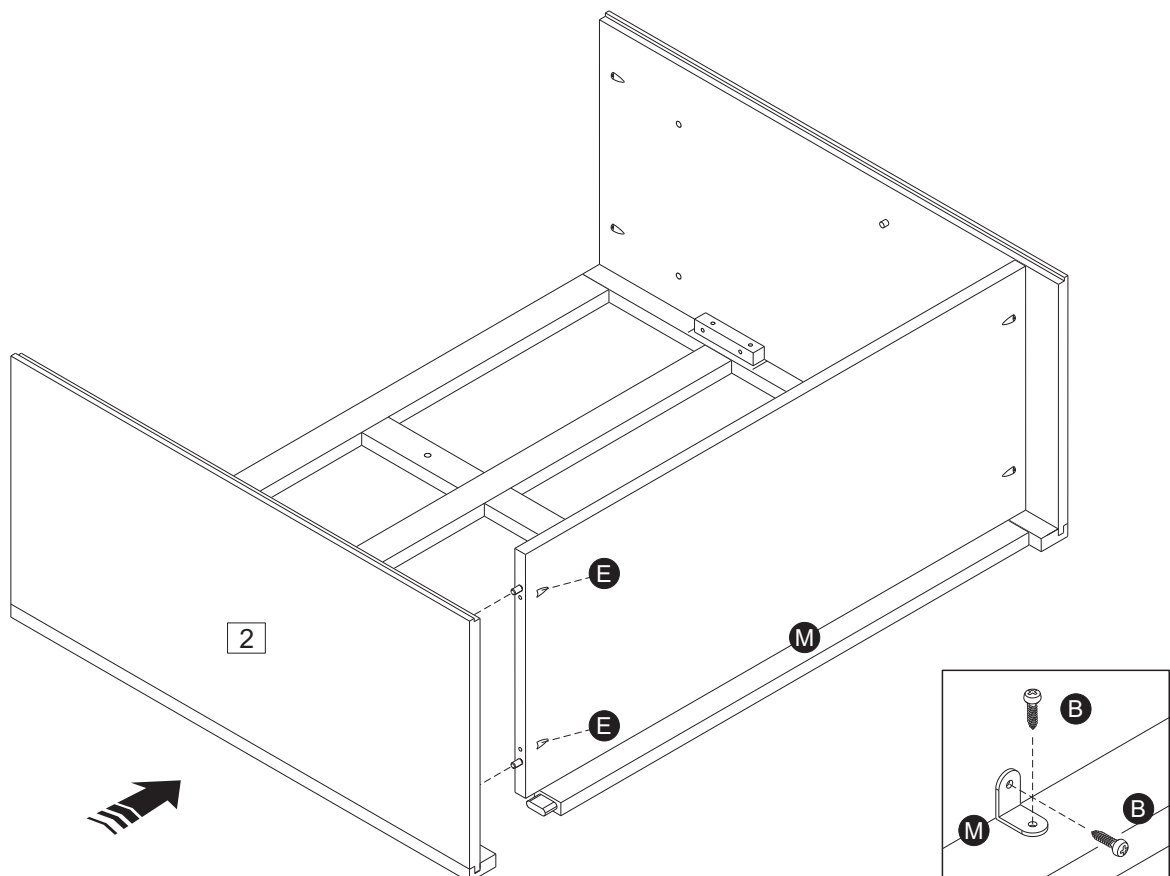
**DO NOT** use any power tools as this may damage the frame and will invalidate any claim.



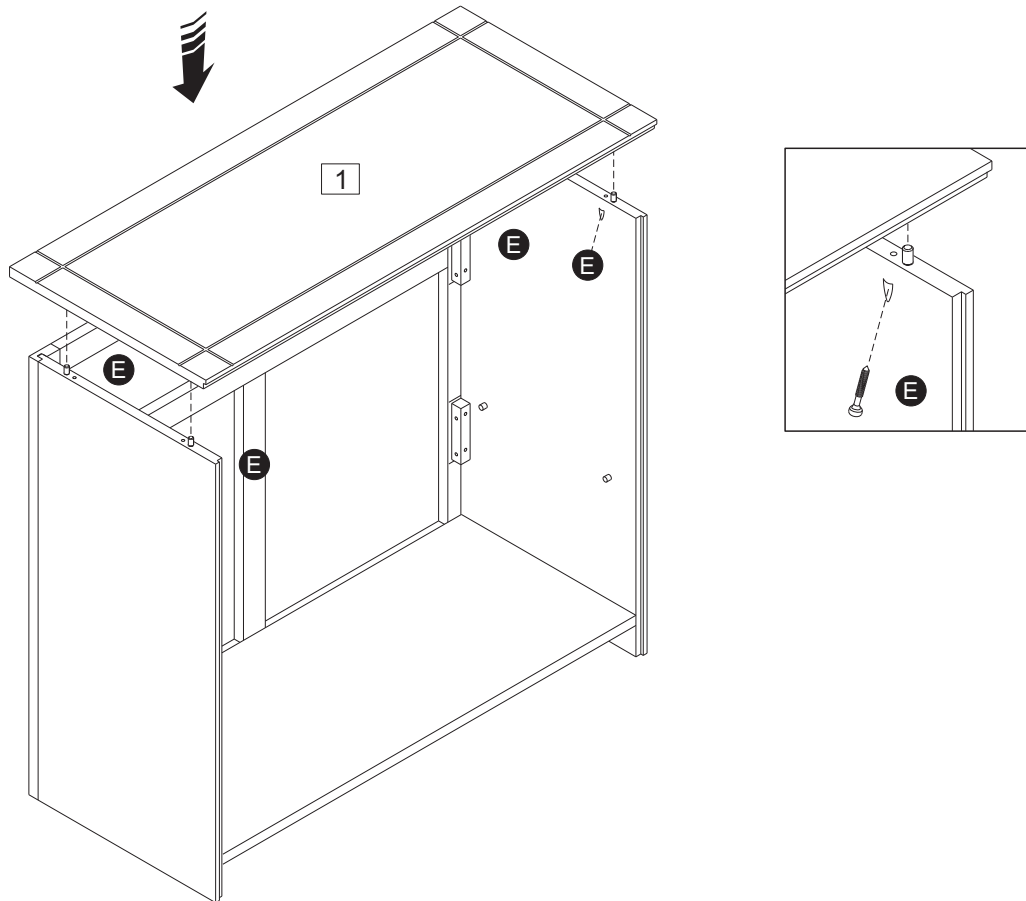
**Step 7:** Attach the base panel (4) using hardware part E and a screwdriver (not provided).  
**DO NOT** use any power tools as this may damage the frame and will invalidate any claim.



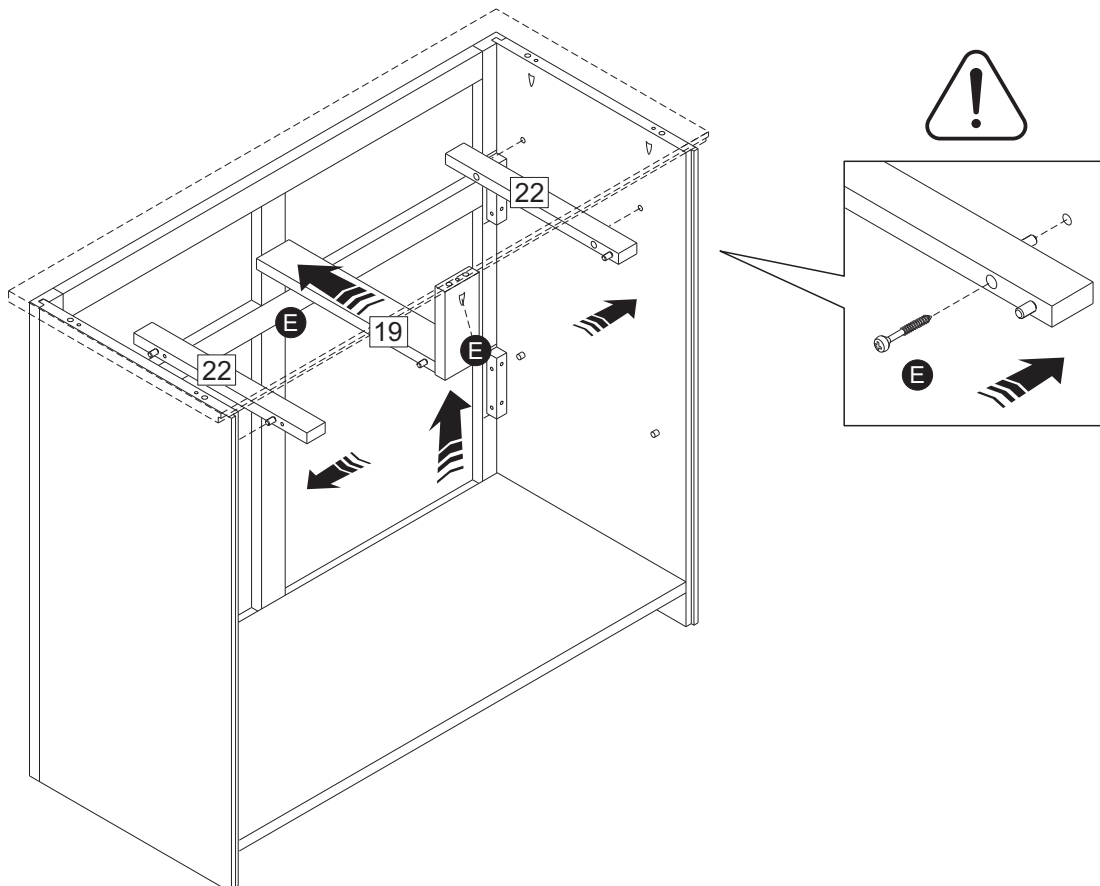
**Step 8:** Attach the right panel (2) using hardware part E, then attach hardware part M using hardware part B.  
You will need to use a screwdriver (not provided).  
**DO NOT** use any power tools as this may damage the frame and will invalidate any claim.



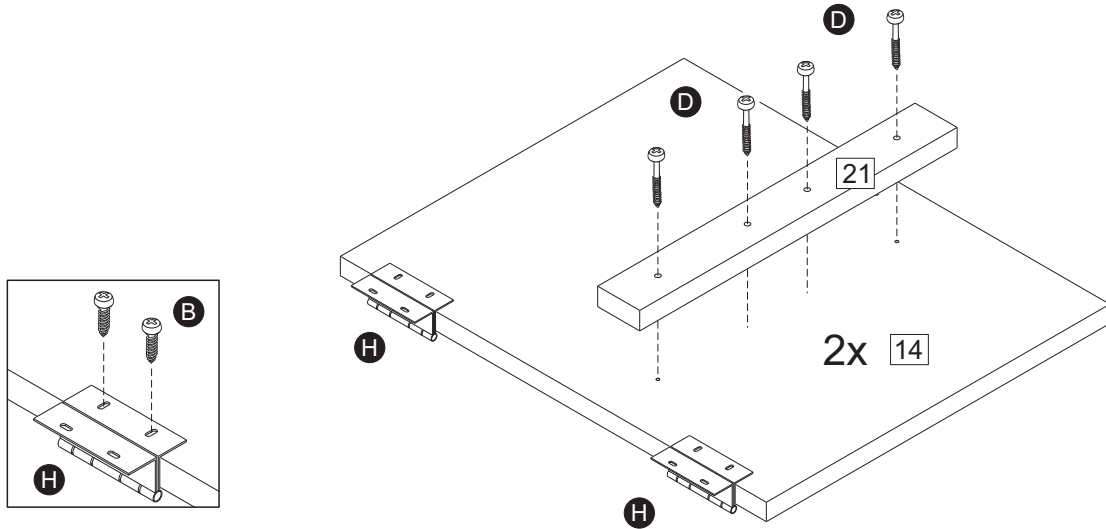
**Step 9:** Attach the top panel (1) using hardware part E and a screwdriver (not provided).  
**DO NOT** use any power tools as this may damage the frame and will invalidate any claim.



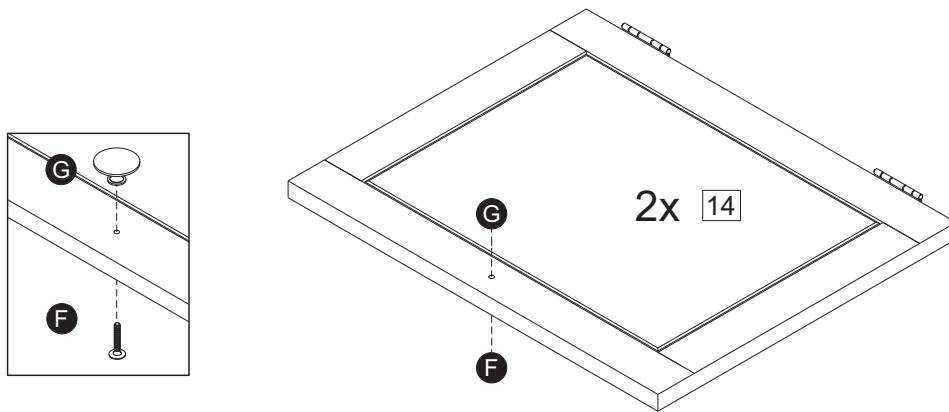
**Step 10:** Attach the side drawer runners (22), back column (20) and middle drawer runner (19) using hardware part E and a screwdriver (not provided).  
**DO NOT** use any power tools as this may damage the frame and will invalidate any claim.



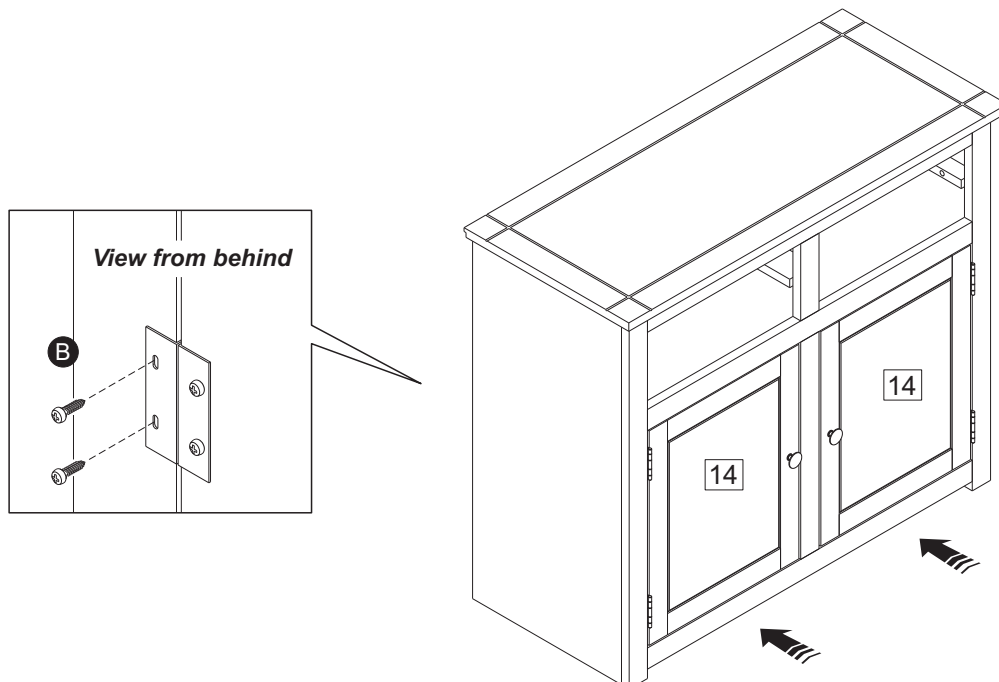
**Step 11:** Attach the cross rails (21) to the doors (14) using hardware part D. Attach hardware part H to the doors using hardware part B. You will need to use a screwdriver (not provided). **DO NOT use any power tools as this may damage the frame and will invalidate any claim.**



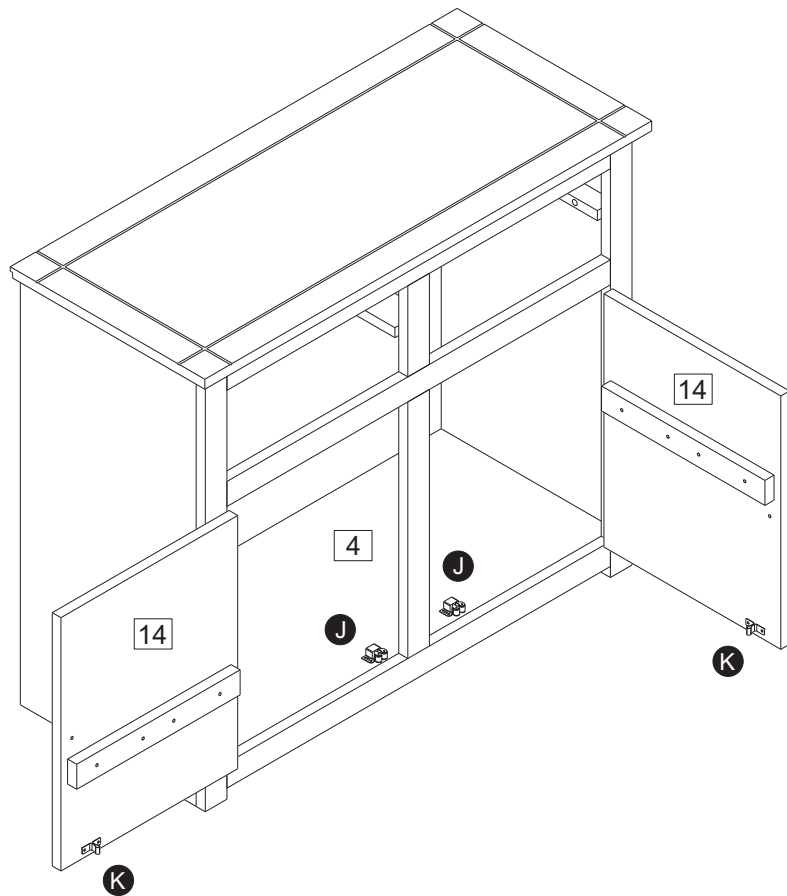
**Step 12:** Attach hardware part G to the doors (14) using hardware part F and a screwdriver (not provided). **DO NOT use any power tools as this may damage the frame and will invalidate any claim.**



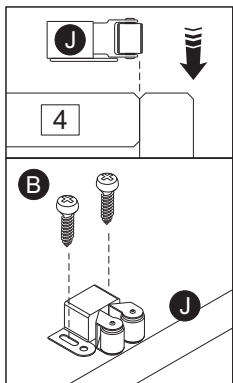
**Step 13:** Attach the doors using hardware part B and a screwdriver (not provided). **DO NOT use any power tools as this may damage the frame and will invalidate any claim.**



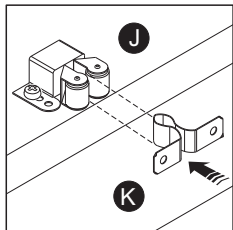
**Step 14:** Attach hardware part J to the base panel (4) using hardware part B. Insert hardware part K and push the doors shut against them to mark the wood. Secure hardware part K to the doors (14) using hardware part B. You will need to use a screwdriver (not provided).  
**DO NOT use any power tools as this may damage the frame and will invalidate any claim.**



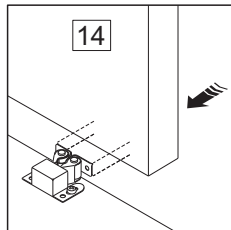
**a:**



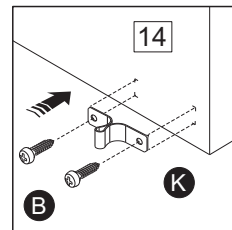
**b:**



**c:**

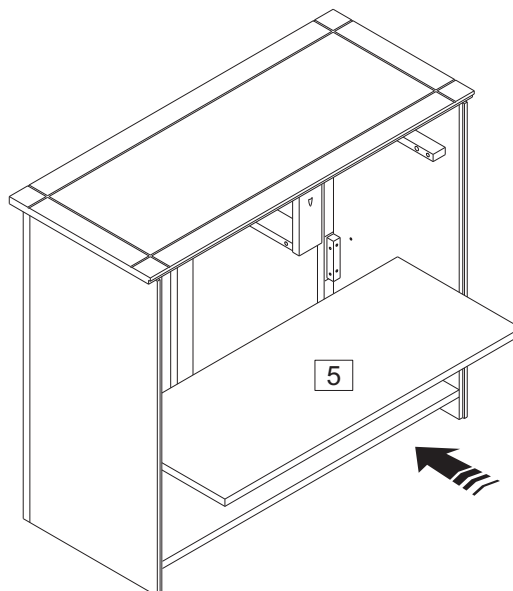


**d:**

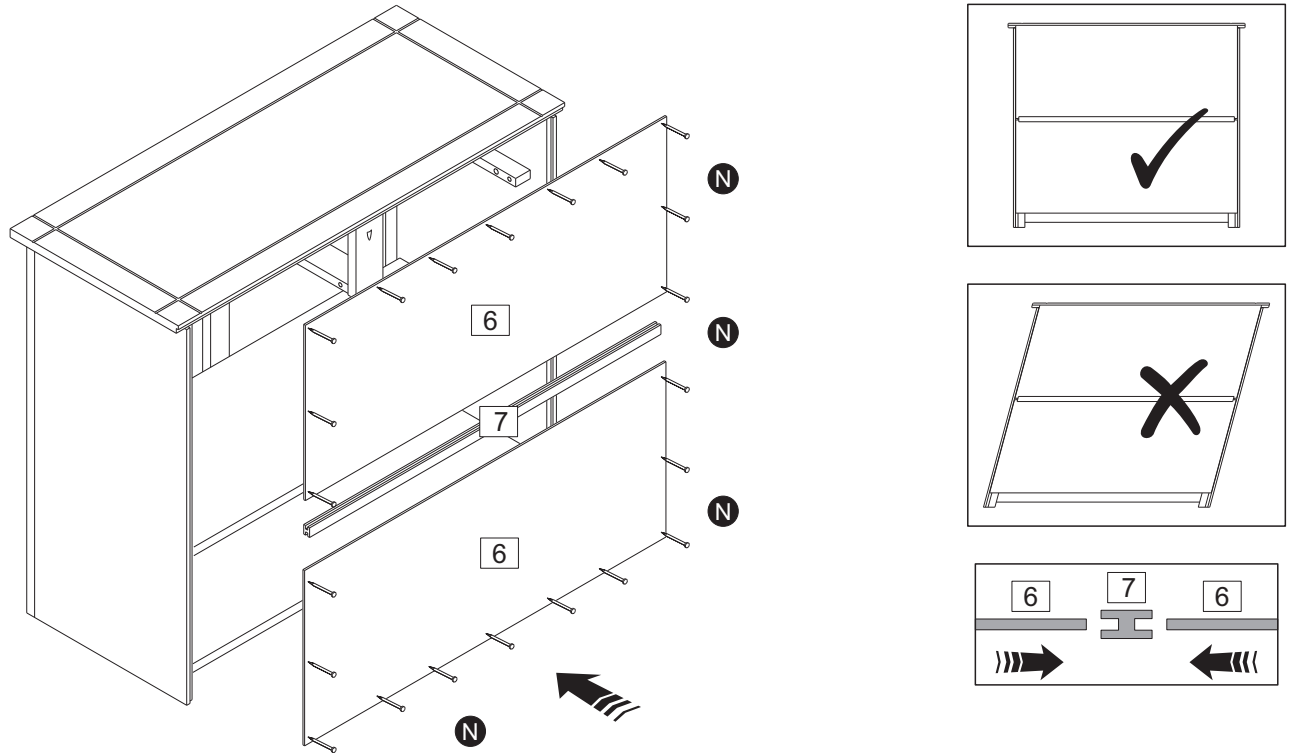


**Step 15:** Insert the shelf panel (5).

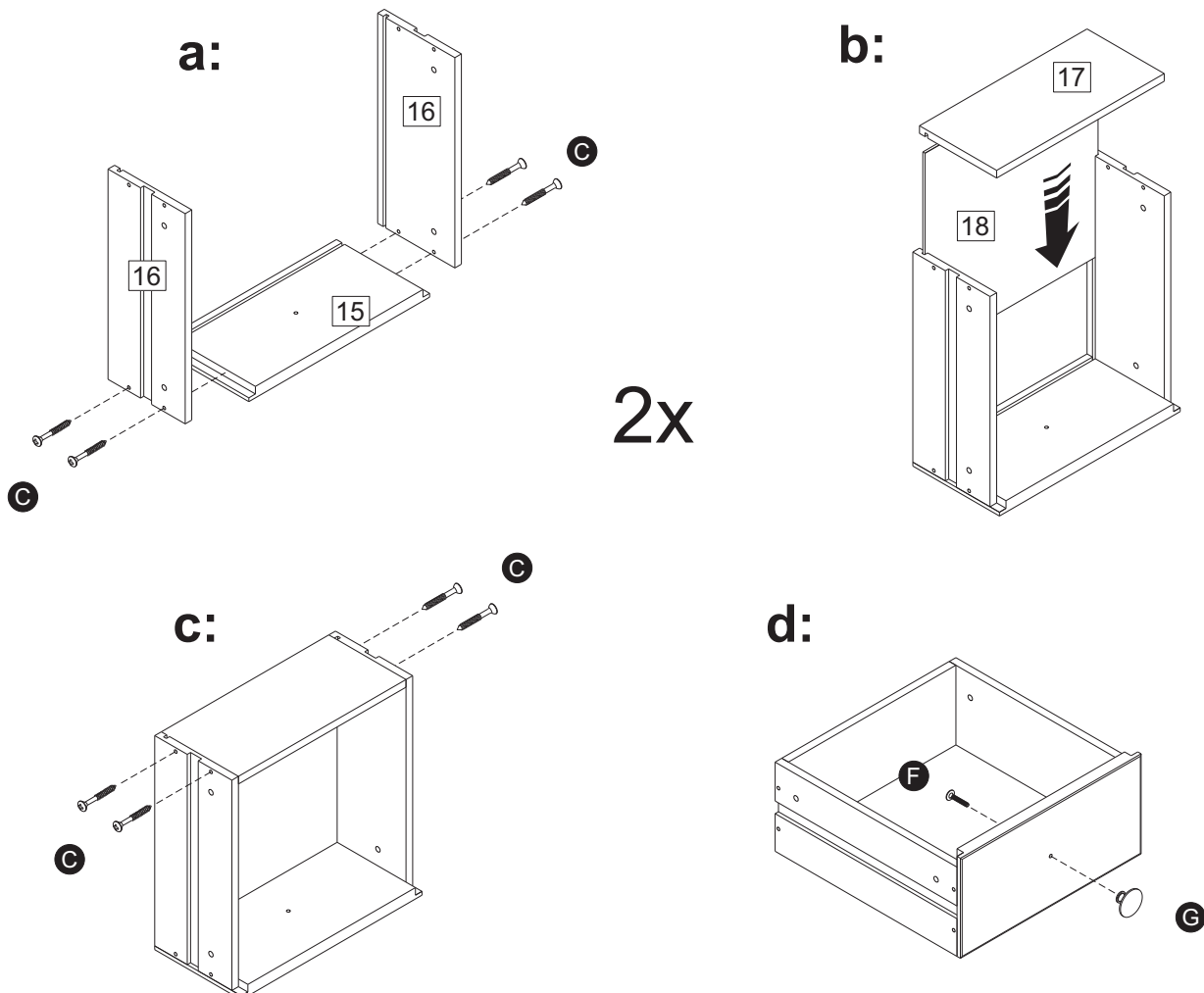
**DO NOT use any power tools as this may damage the frame and will invalidate any claim.**



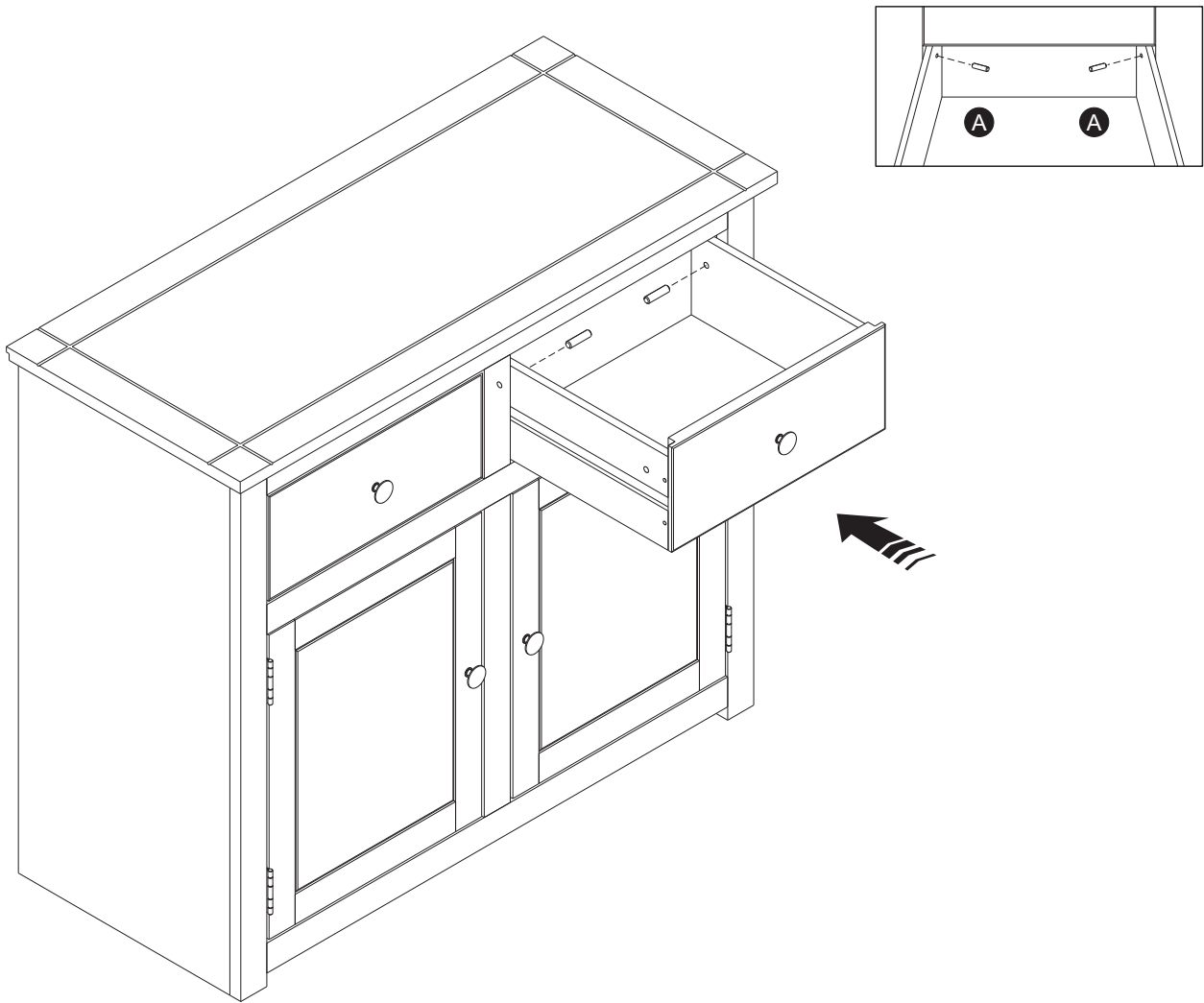
**Step 16:** Join together the back panels (6) with the spine (7) and attach to the frame using hardware part N and a small mallet (not provided).  
**DO NOT use any power tools as this may damage the frame and will invalidate any claim.**



**Step 17:** Assemble the drawer components using hardware parts C, F and G with a screwdriver (not provided).  
**DO NOT use any power tools as this may damage the frame and will invalidate any claim.**



**Step 18:** Insert the assembled drawers and secure using hardware part A and a small mallet (not provided).  
**DO NOT use any power tools as this may damage the frame and will invalidate any claim.**



## **Additional Information**

If you have any issues with your item please contact the retailer directly you purchased it from who will be able to resolve any issues.