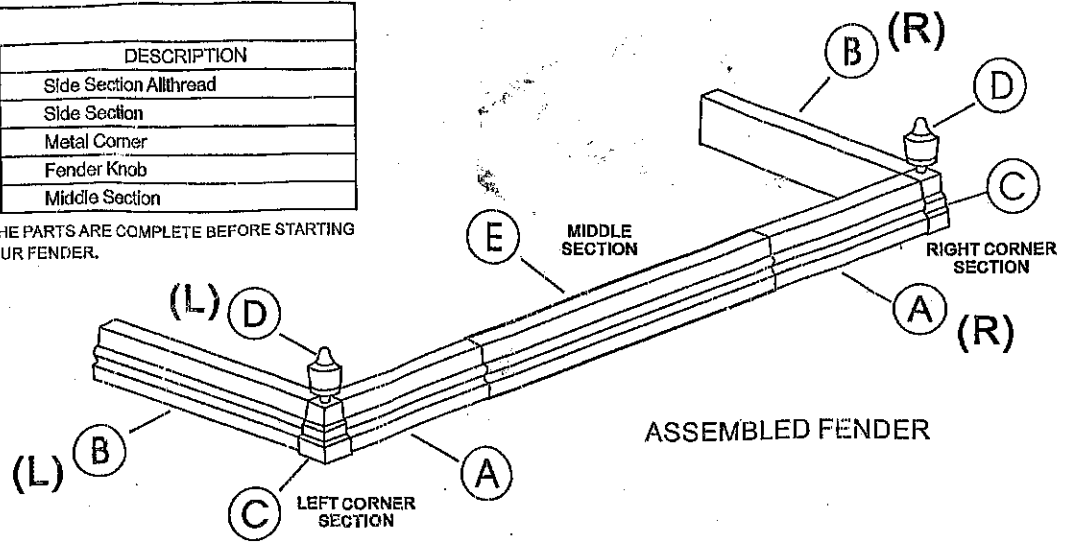


ASSEMBLY INSTRUCTION

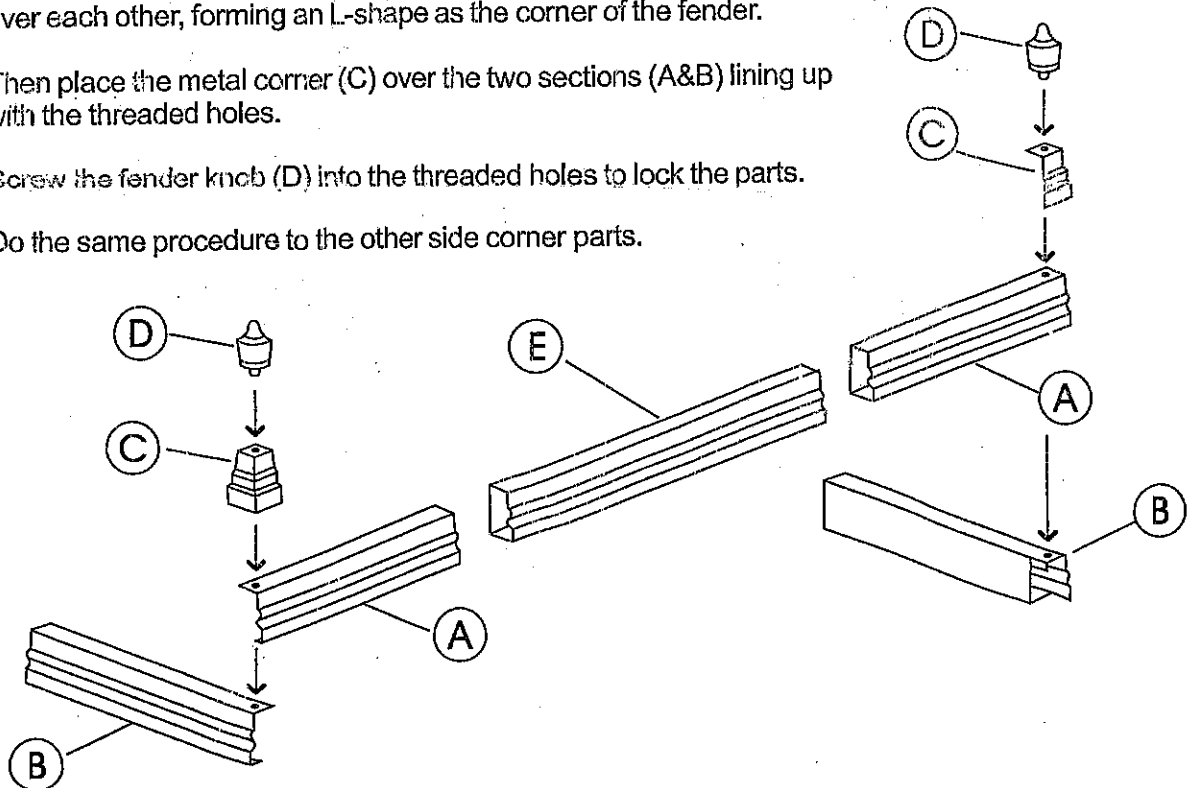
LIST OF PARTS		
KEY	QTY	DESCRIPTION
A	2pcs.	Side Section Allthread
B	2pcs.	Side Section
C	2pcs.	Metal Corner
D	2pcs.	Fender Knob
E	1pc.	Middle Section

NOTE: PLEASE CHECK THE PARTS ARE COMPLETE BEFORE STARTING TO ASSEMBLE YOUR FENDER.



INSTRUCTIONS FOR ASSEMBLY

1. Place the side section (B) perpendicular to side section allthread (A) with their threaded holes aligned over each other, forming an L-shape as the corner of the fender.
2. Then place the metal corner (C) over the two sections (A&B) lining up with the threaded holes.
3. Screw the fender knob (D) into the threaded holes to lock the parts.
4. Do the same procedure to the other side corner parts.



5. After the assembly of the two corners, take the middle section (E) and slide the corner sections on the left and right sides of it to complete the fender.

WARNING: BEWARE OF SHARP EDGES.