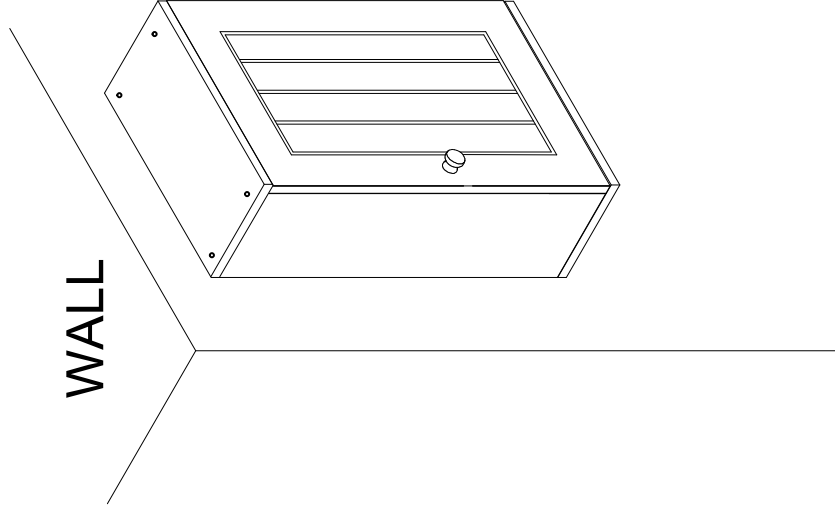


PRIANO 1 DOOR BATHROOM WALL CABINET ASSEMBLY INSTRUCTIONS



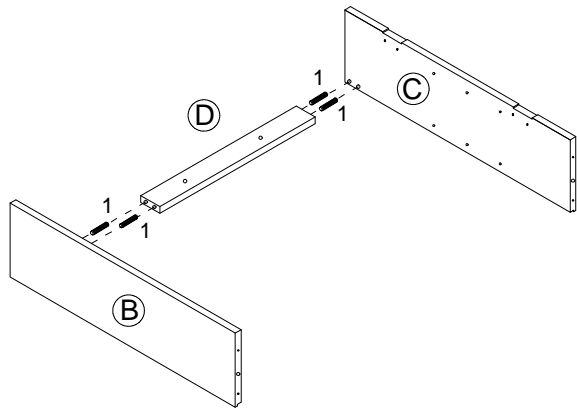
Hardware:

Letter	Draw	Number	Letter	Draw	Number
1	6x30mm	8pcs	8		1pc
2	4x30mm	8pcs	9		1pc
3	2.5x14mm	2pcs	10		1pc
4		1pc	11		2pcs
5	2.5x10mm	12pcs	12		2pcs
6		2pcs	13		4pcs
7	3x12mm	9pcs			

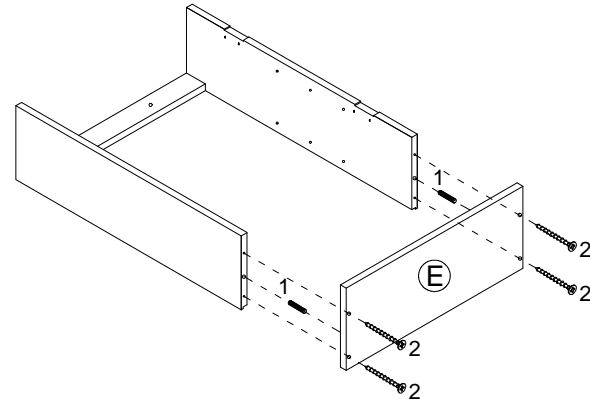
Components:

A		1pc	E		1pc
B		1pc	F		1pc
C		1pc	G		1pc
D		1pc	H		1pc

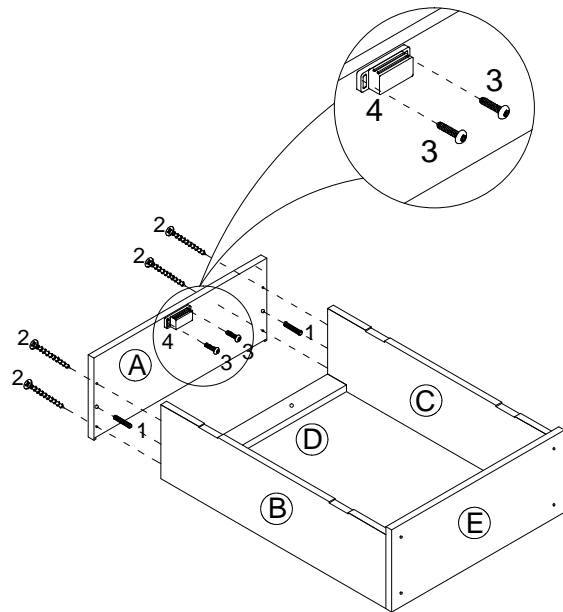
STEP 1



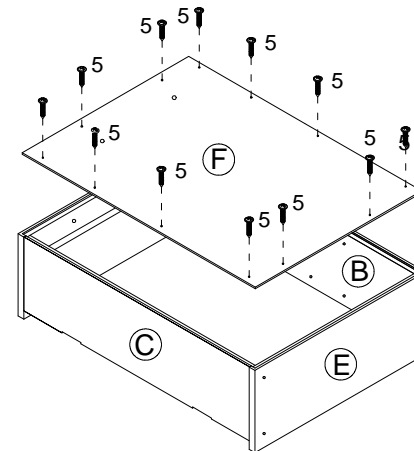
STEP 2



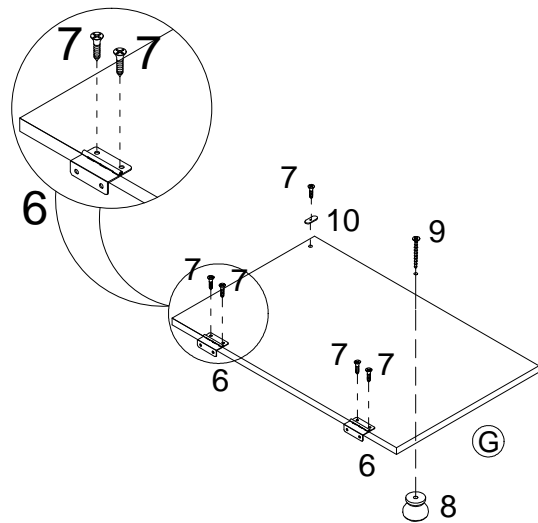
STEP 3



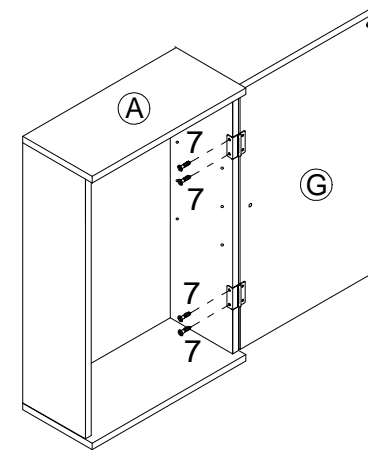
STEP 4



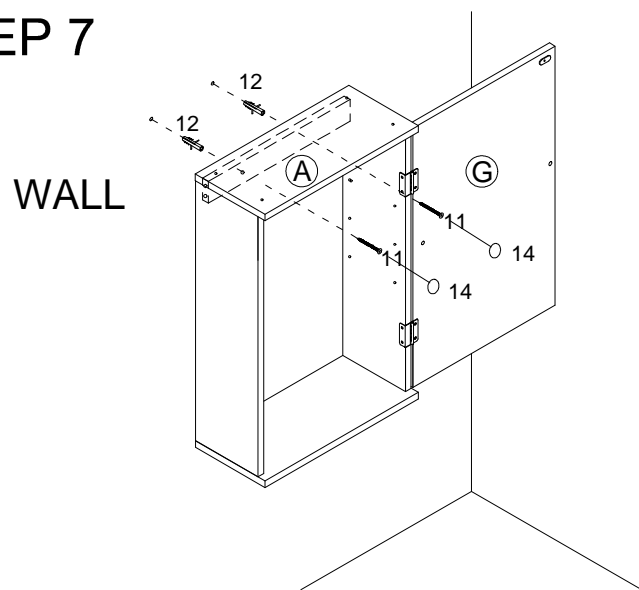
STEP 5



STEP 6



STEP 7



STEP 8

