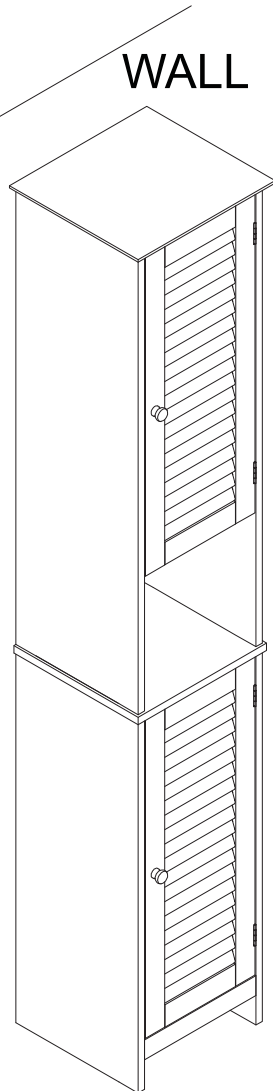


LIANO TALL BATHROOM CABINET ASSEMBLY INSTRUCTIONS



Hardware:

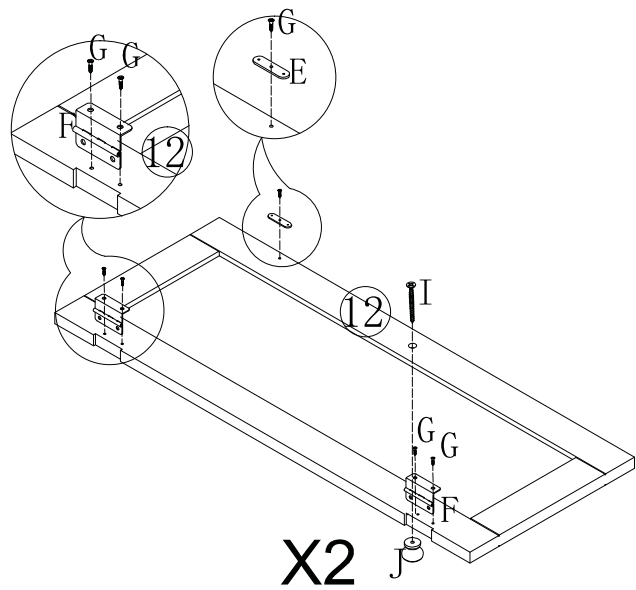
Letter	Draw	Number
A		28pcs
B		16pcs
C		16pcs
D		8pcs
E		2pcs
F		4pcs
G		18pcs
H	ϕ 4x30mm	4pcs

Letter	Draw	Number
I	ϕ 4x25mm	2pcs
J		2pcs
K		2pcs
L		4pcs
M		30pcs
N		2pcs
O		2pcs

Components:

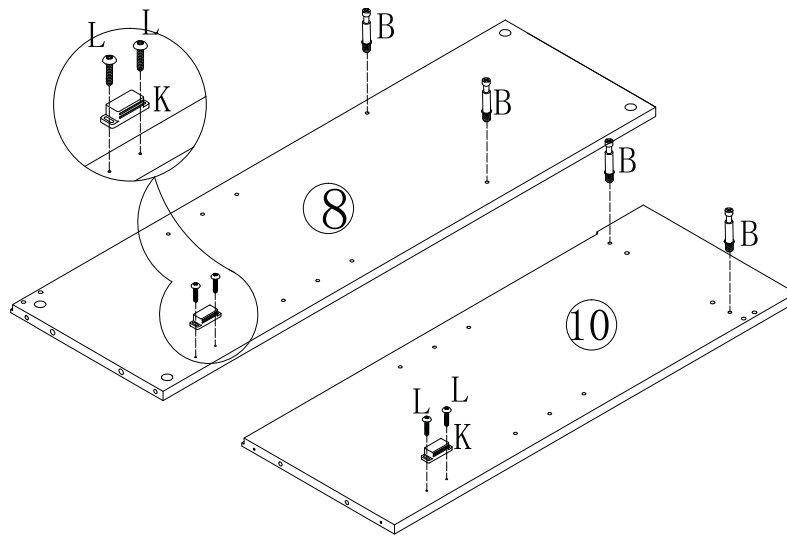
Letter	Draw	Number
1		1pc
2		
3		1pc
4		1pc
5		1pc
6		1pc
7		1pc

Letter	Draw	Number
8		1pc
9		1pc
10		1pc
11		1pc
12		2pcs
13		1pc
14		1pc

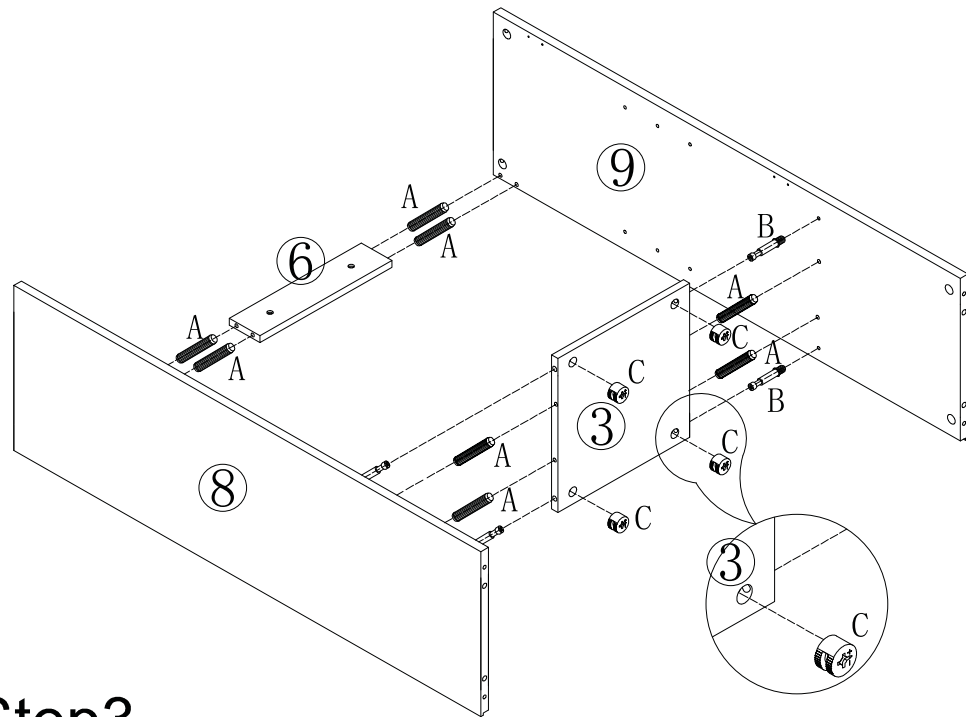
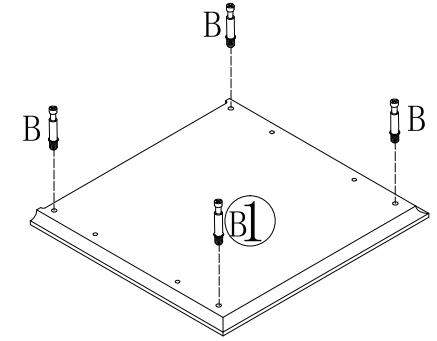


Step1

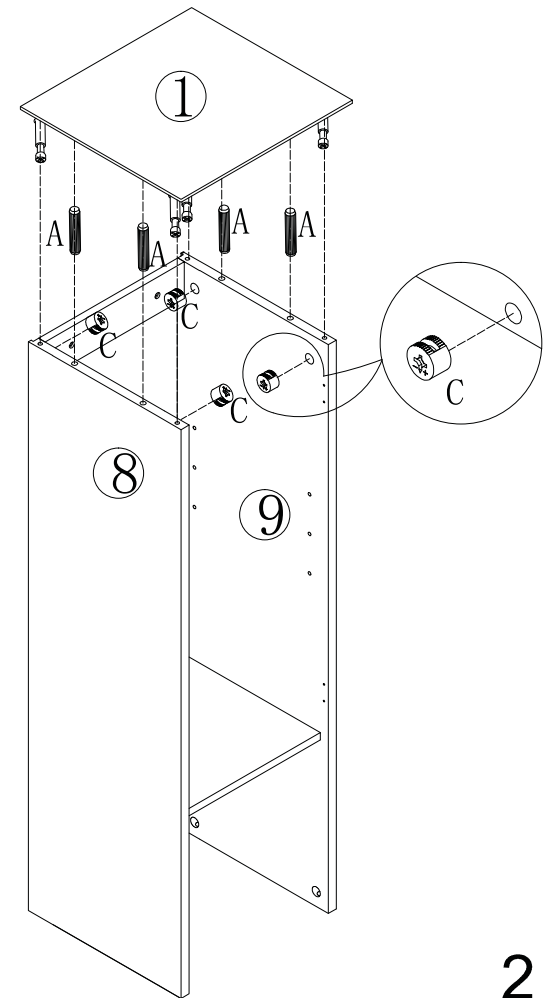
X2



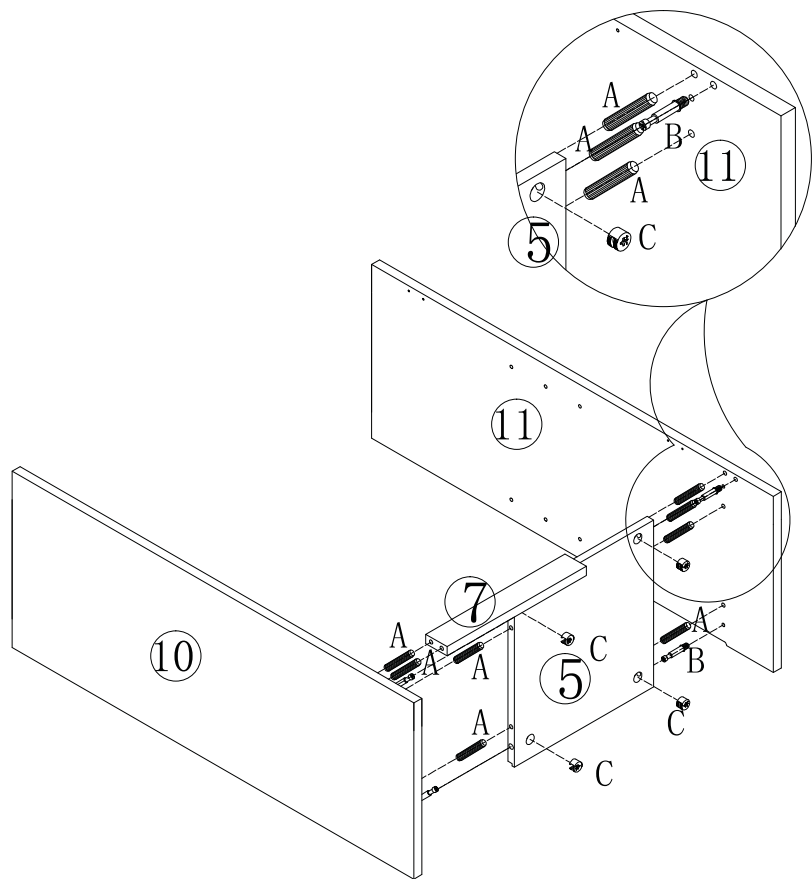
Step2



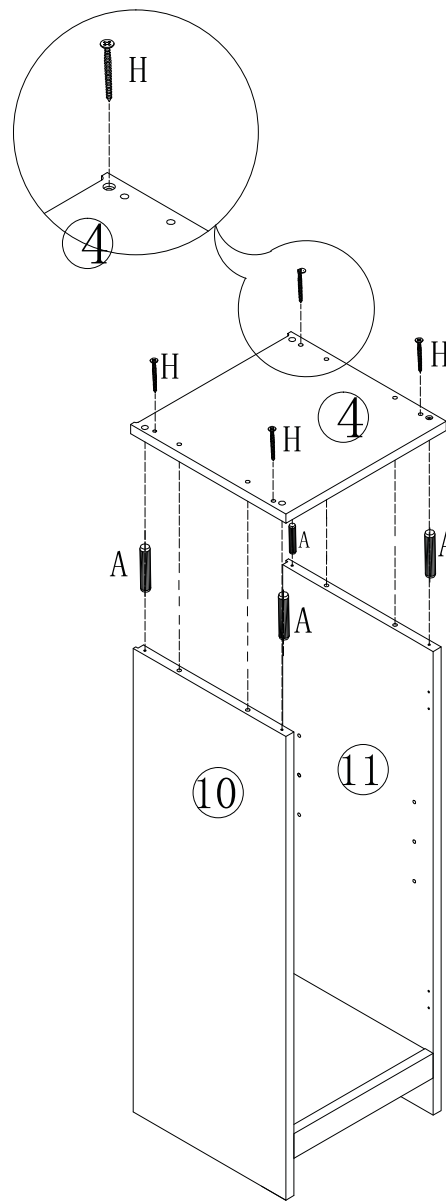
Step3



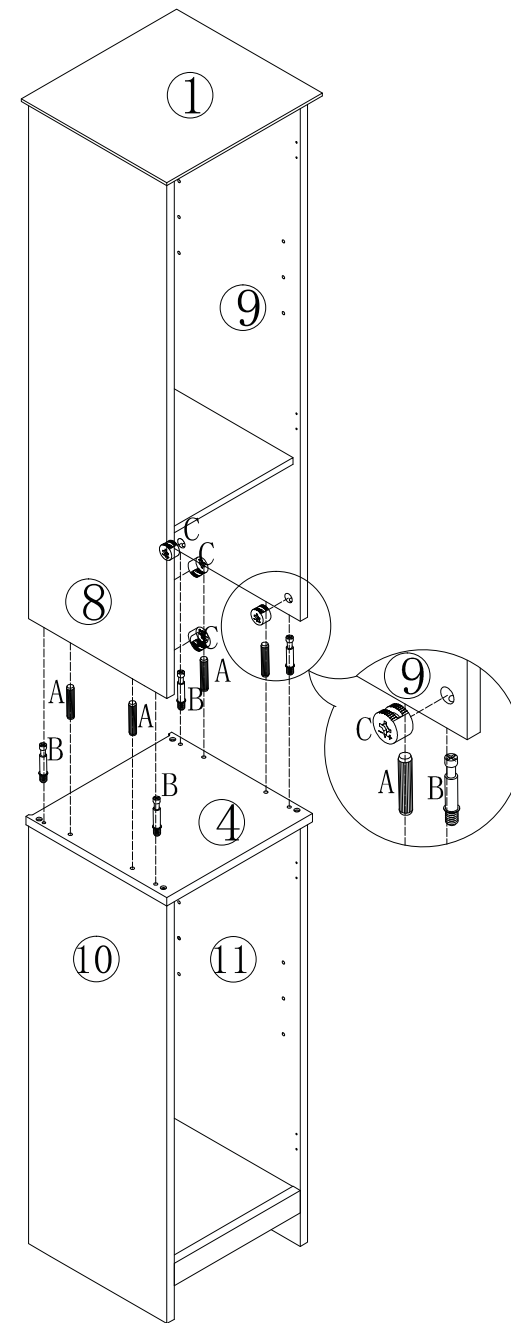
Step4



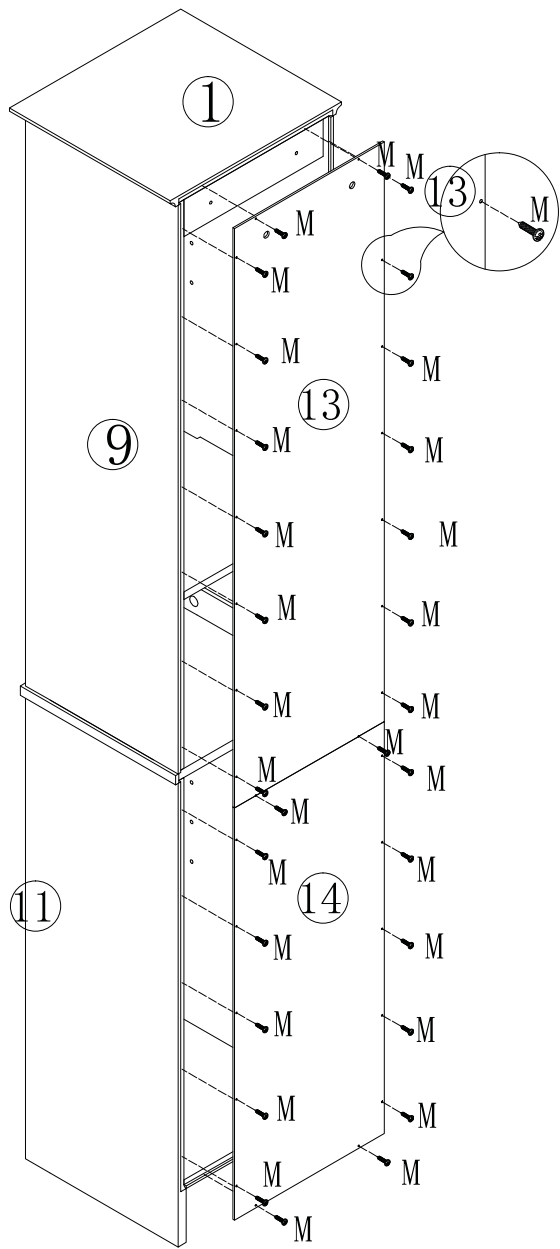
Step 5



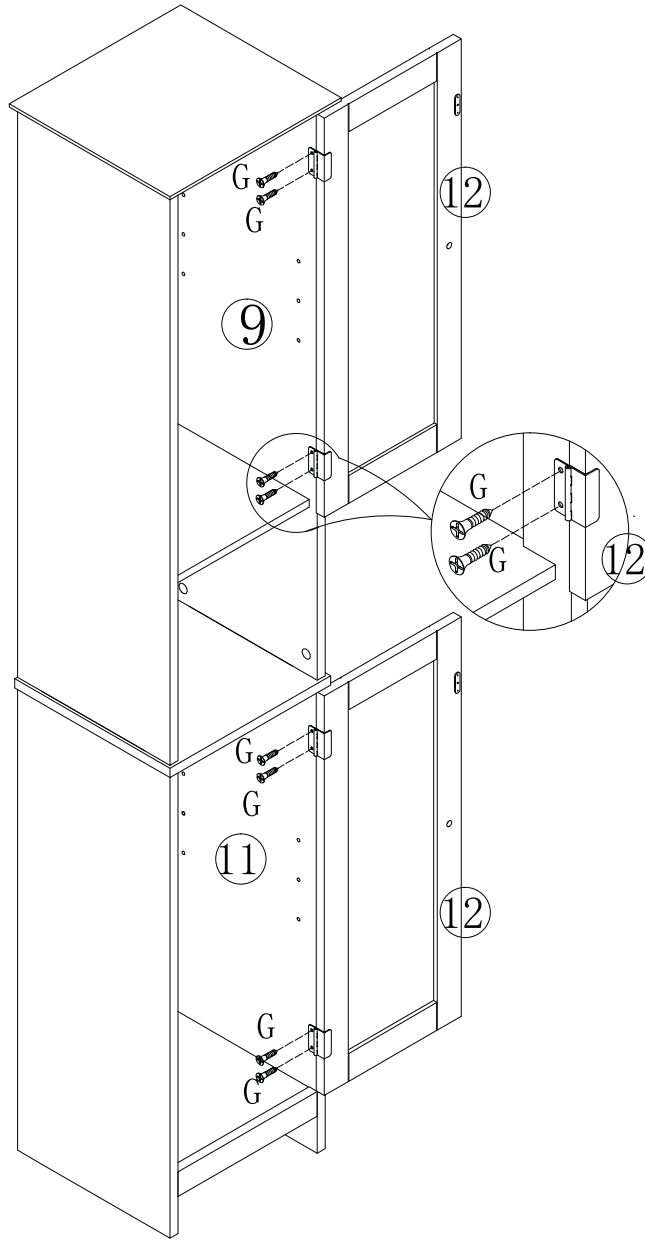
Step 6



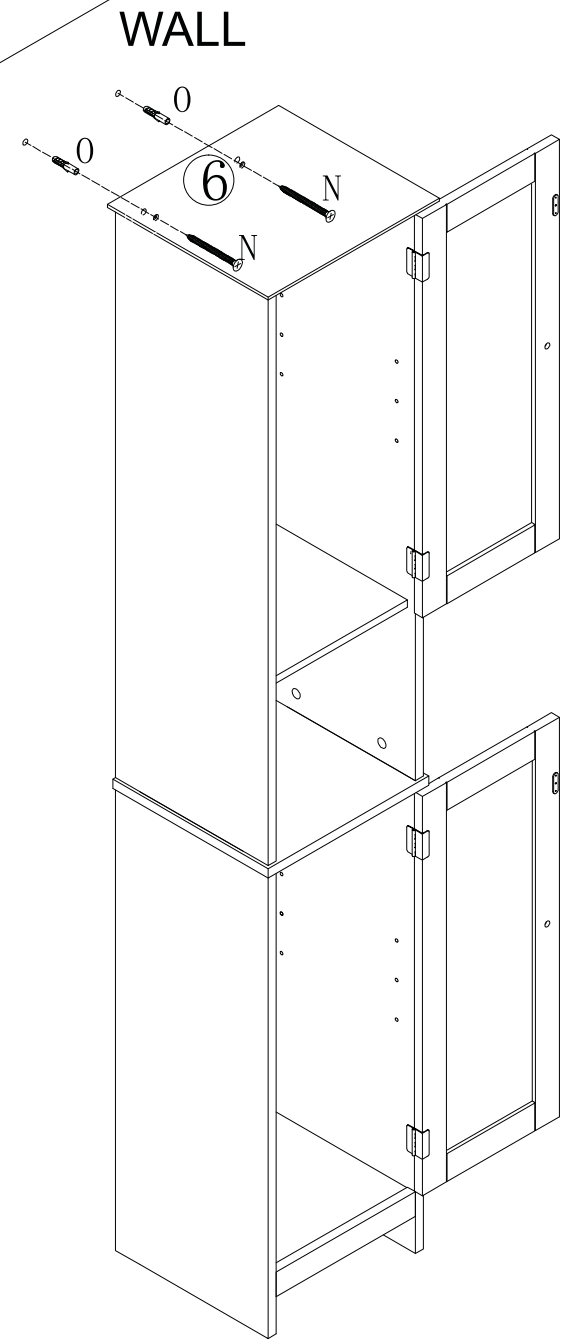
Step 7



Step8

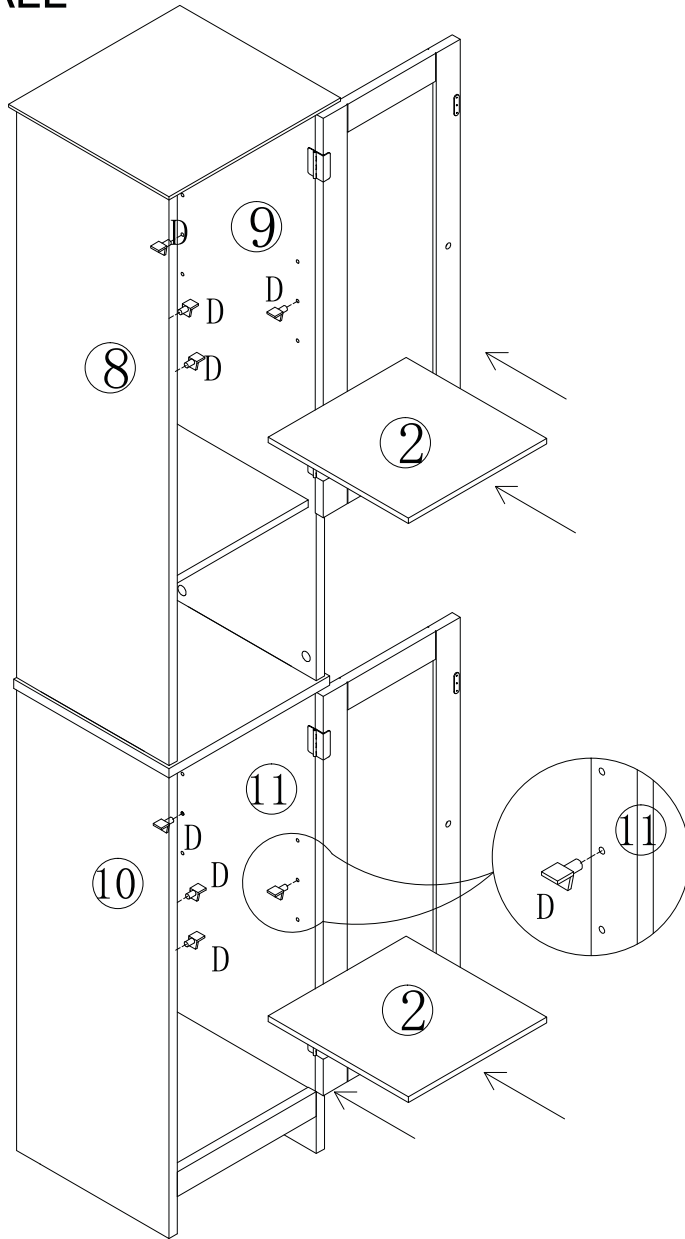


Step9



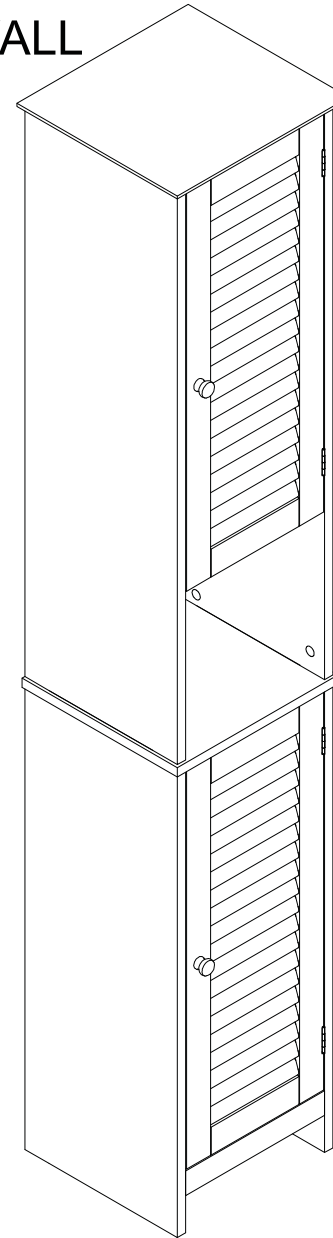
Step10

WALL



Step11

WALL



Step12