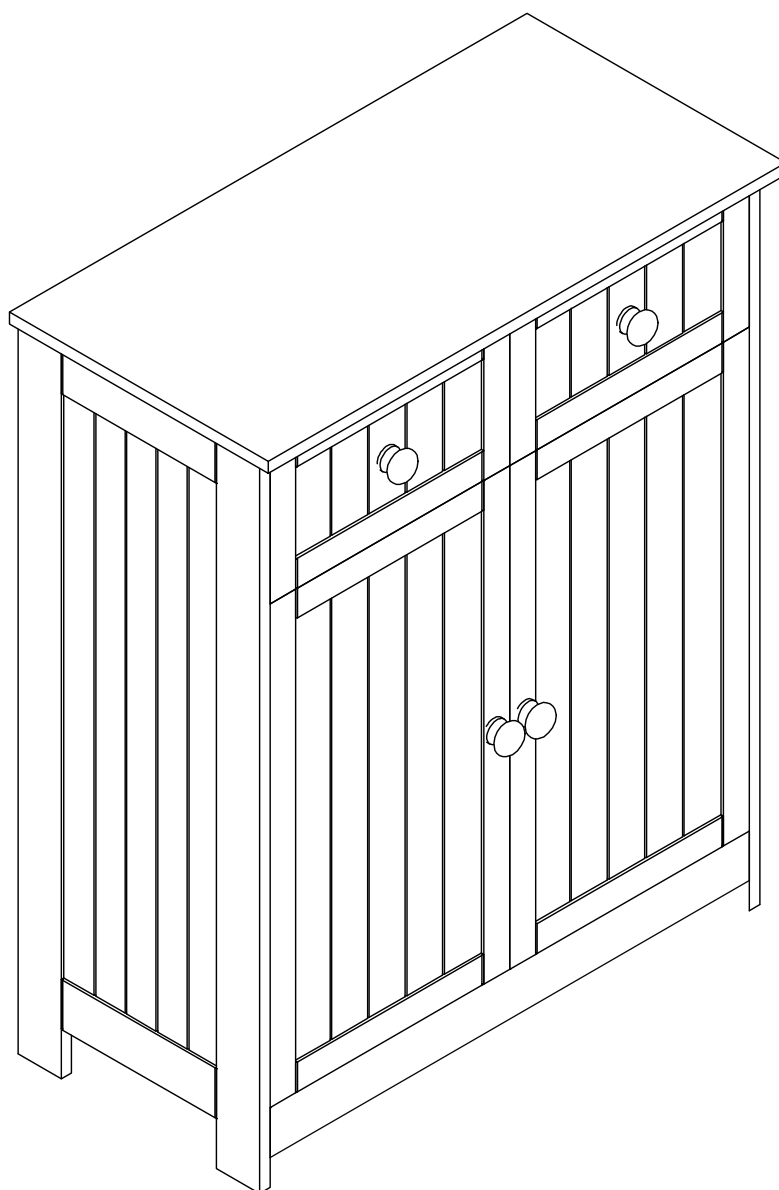


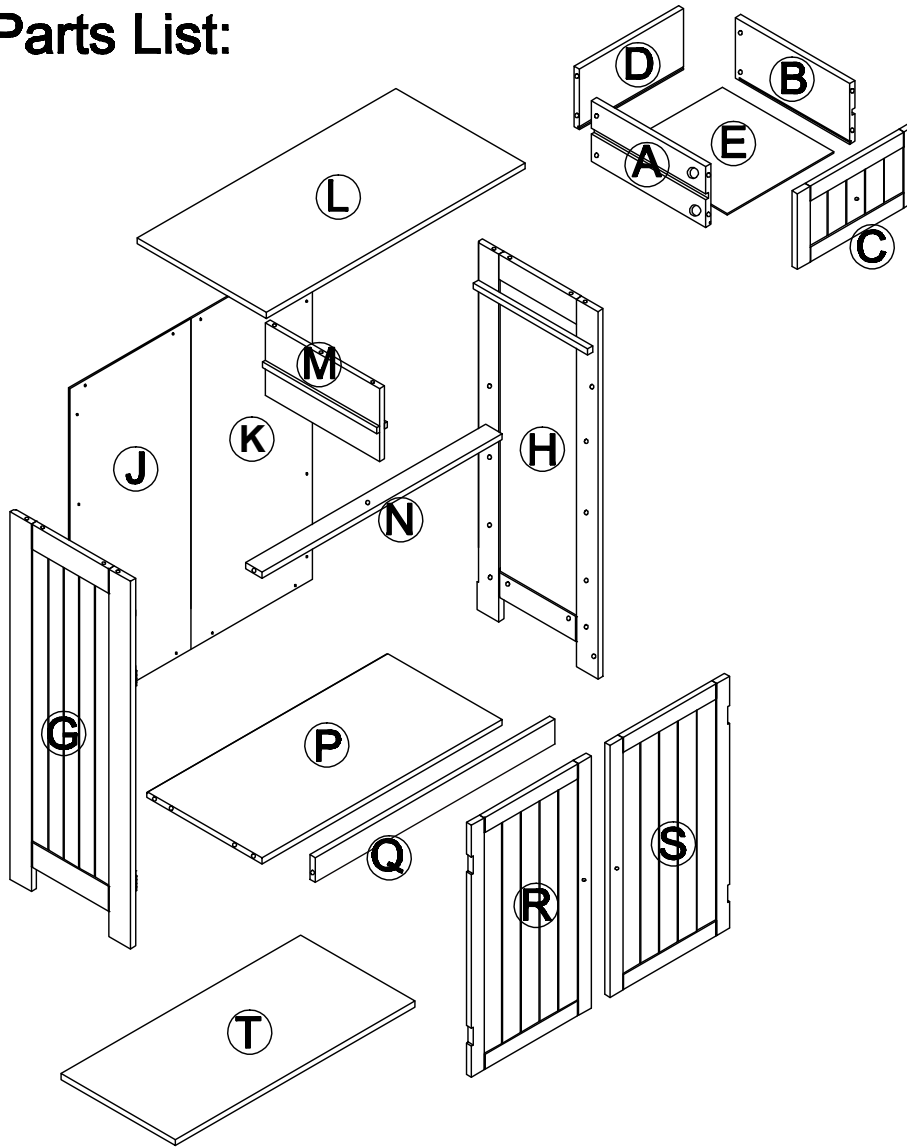


PRIANO FREESTANDING BATHROOM CABINET






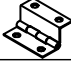

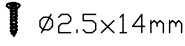

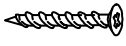
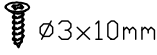




ASSEMBLY INSTRUCTIONS



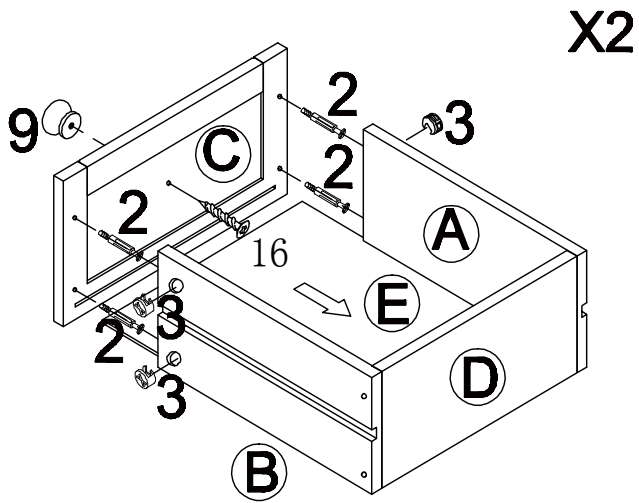
Parts List:



Hardware:

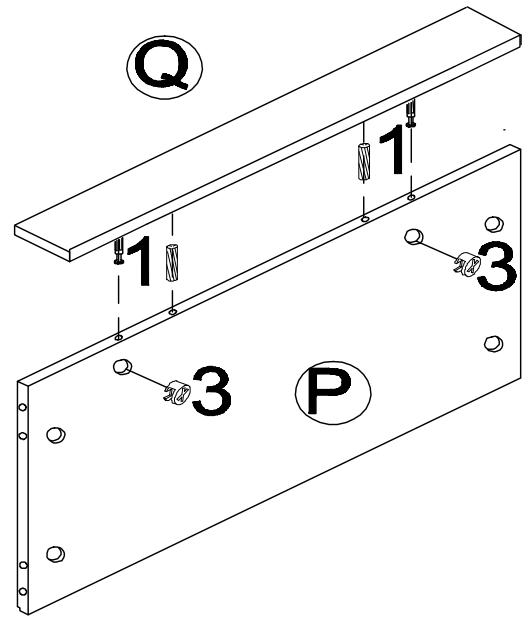
Letter	Draw	Number	Letter	Draw	Number
1		12PCS	9		4PCS
2		24PCS	10		4PCS
3		24PCS	11		4PCS
4		2PCS	12		16PCS
5		1PC	13		9PCS
6		20PCS	14		2PCS
7		2PCS	16		2PCS
8		2PCS			

Step 4



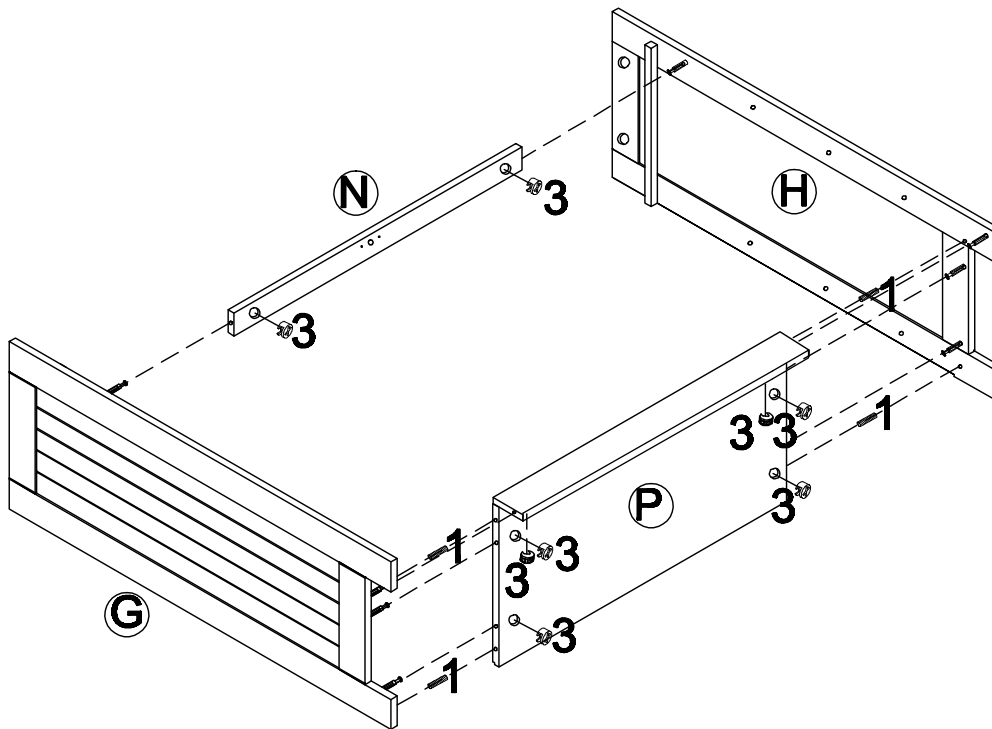
	3X8PCS
	16 X2PCS
	9X2PCS
	2X8PCS

Step 5



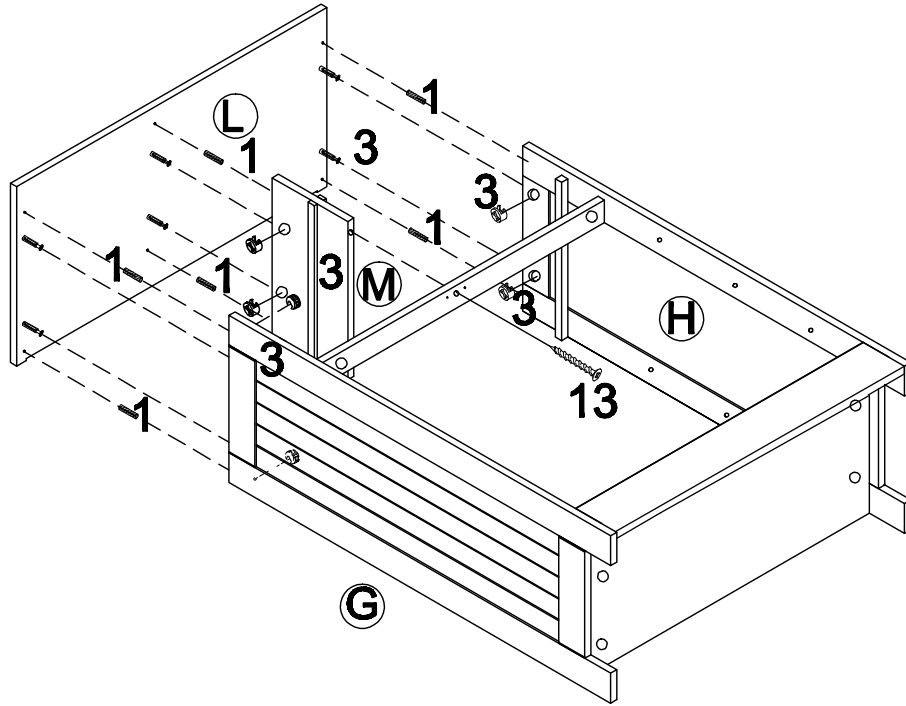
	3X2PCS
	1X2PCS

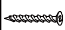


Step 6



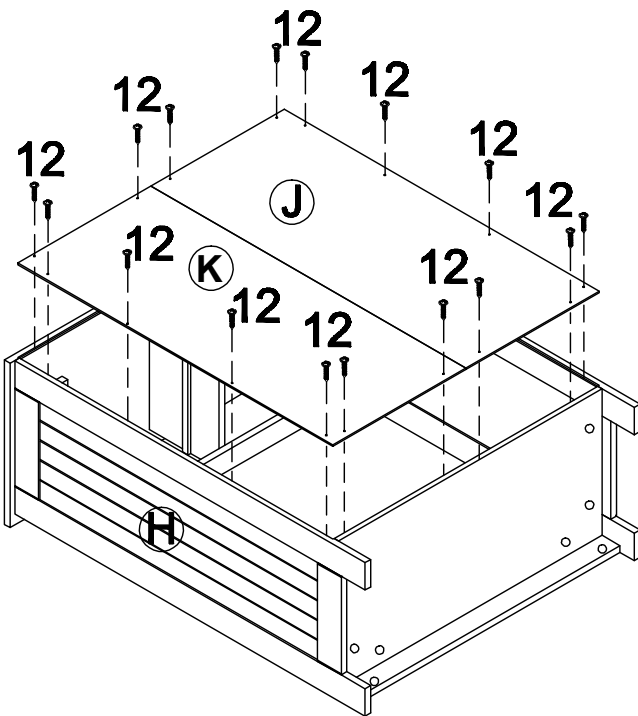
	3X8PCS
	1X4PCS


Step 7



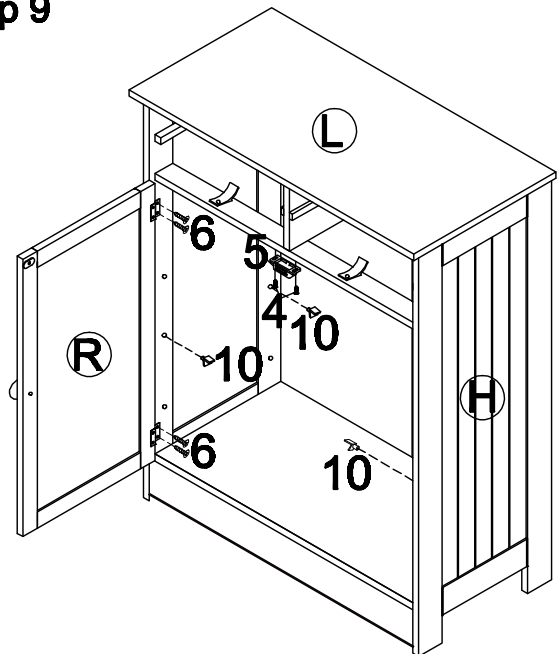
	13X1PC
	3X6PCS
	1X6 PCS





Step 8



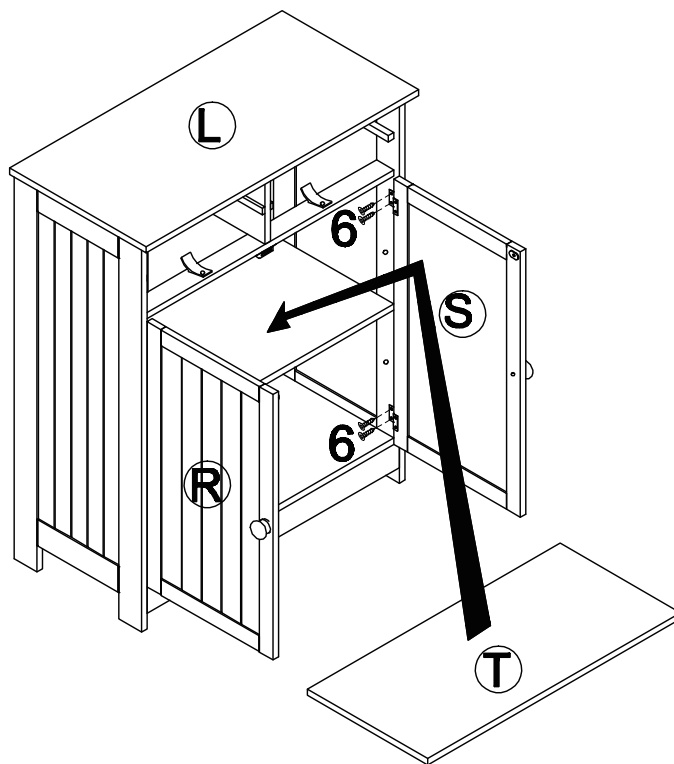
	12X16PCS
---	-----------------


Step 9



	4X2PCS
	5X1PC
	10X4PCS
	6X4PCS

Step 10



 $\varnothing 3 \times 10$ 6X4PCS

Step 11

