

ASSEMBLY INSTRUCTIONS PANAMA 3 DRAWER BEDSIDE CHEST

IMPORTANT

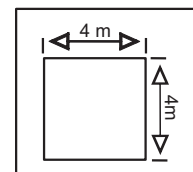
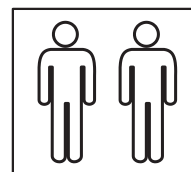
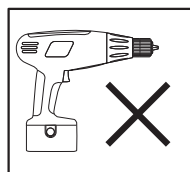
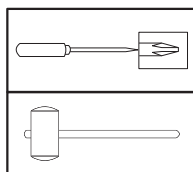
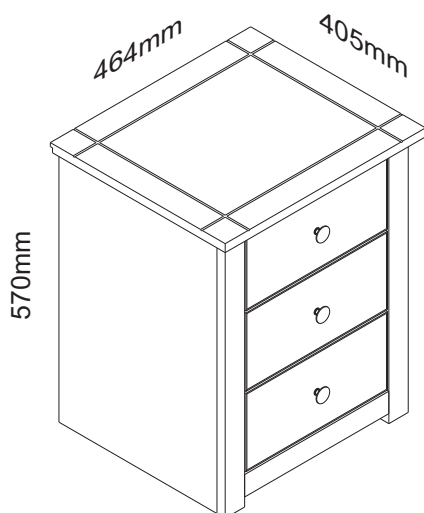
**READ THESE INSTRUCTIONS CAREFULLY BEFORE ASSEMBLING OR USING
YOUR PANAMA 3 DRAWER BEDSIDE CHEST.
PLEASE KEEP THESE INSTRUCTIONS FOR FUTURE REFERENCE.**

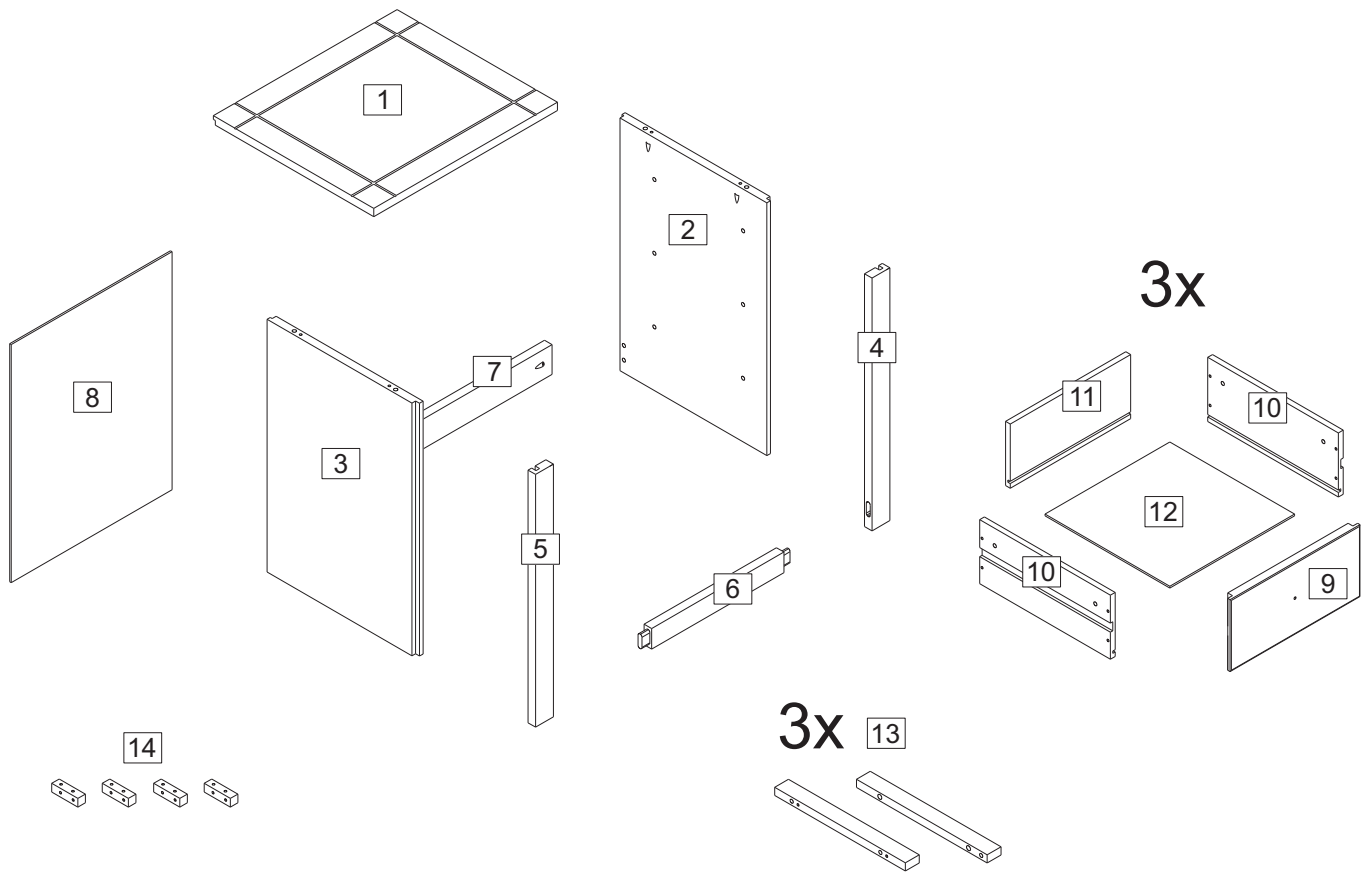
HEALTH & SAFETY:

DO NOT use this item if any parts are missing, damaged or worn.
DO NOT use this item unless all fixings are secured.
Please keep small parts out of reach of children.
Always use on a level, even surface.
It is recommended that two people handle and assemble the item.

CARE & MAINTENANCE:

Assemble in the room of use.
To avoid damages assemble the item on a soft, clean surface
Periodically check all screws & fixings to ensure they are secure.
DO NOT push the item as this will damage the base.
Always lift the item with two people to reposition.
Keep any sharp objects away from the item.
This product is manufactured in pine which is a wood with natural characteristics including knots, grains, clusters or indentations.
On unpacking the item you may notice an odour due to production processes but this will disappear after a period of time.
DO NOT place the item next to a radiator or direct sunlight – this item is susceptible to temperature change. It is recommended an even room temperature be maintained with no sudden fluctuations.
DO NOT place hot or cold items directly onto the surface of the item as marking will occur
For general cleaning use a duster or damp cloth (almost dry) not wet – do not use soap and water, detergents, aerosol sprays or any polish as use of these materials would invalidate any claims.
DO NOT place the item onto wet or damp flooring as staining may occur to the floor.

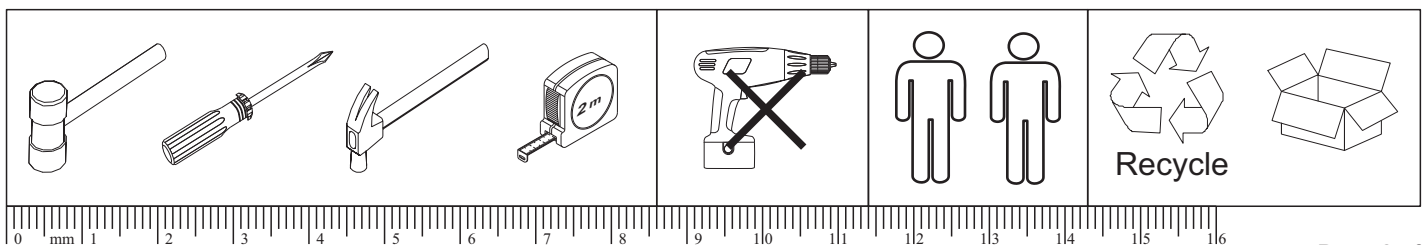




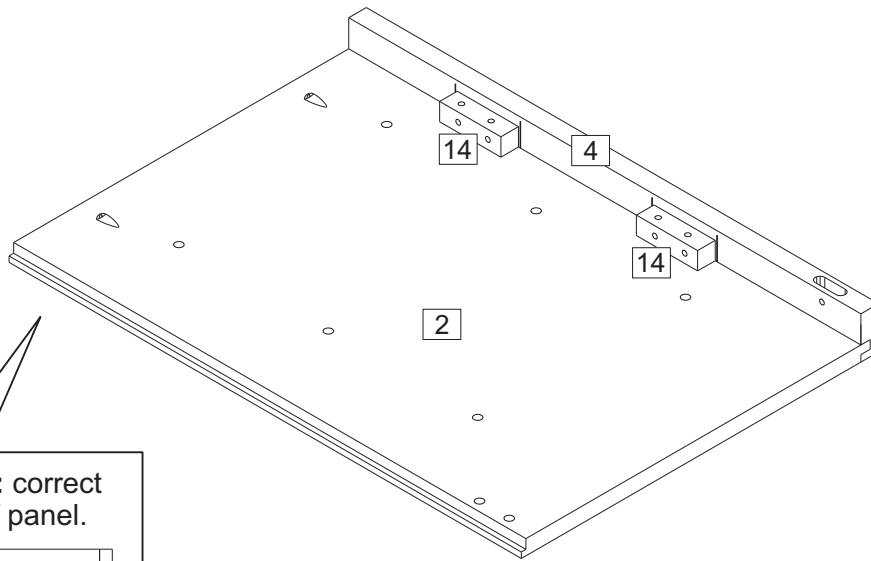
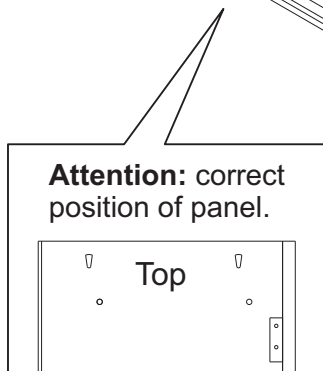
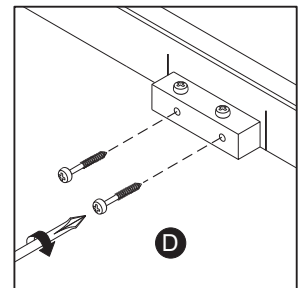
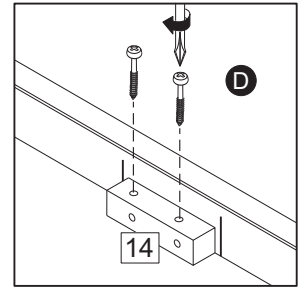
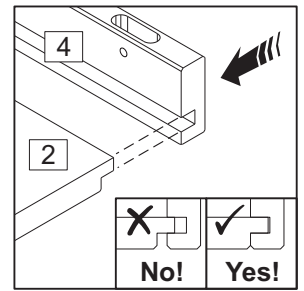
PARTS LIST		
Part	Item	Qty
1	Top Panel	1
2	Right Panel	1
3	Left Panel	1
4	Right Front Frame	1
5	Left Front Frame	1
6	Bottom Front Frame	1
7	Rear Base Plinth	1
8	Back Panel	1
9	Drawer Front	3
10	Drawer Side	6
11	Drawer Back	3
12	Drawer Base	3
13	Drawer Runner	6
14	Cleat	4

HARDWARE LIST			
Part	Item		Qty
A	Wooden dowel		32
B	14mm Screw		2
C	30mm Screw		24
D	35mm Screw		34
E	19mm Bolt		3
F	Handle		3
G	Tack		16

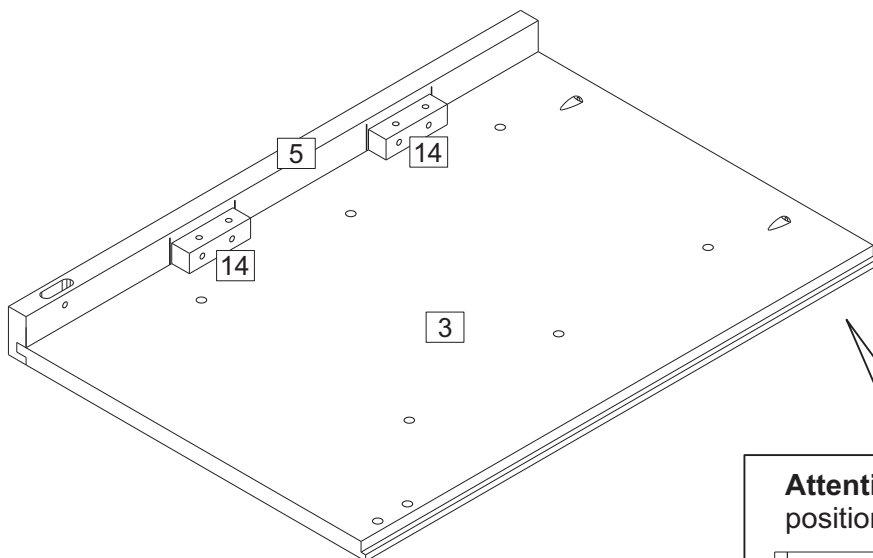
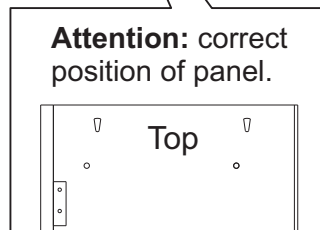
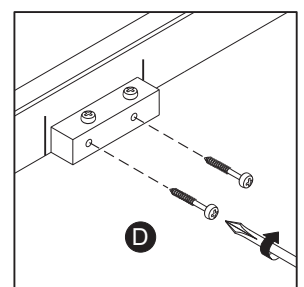
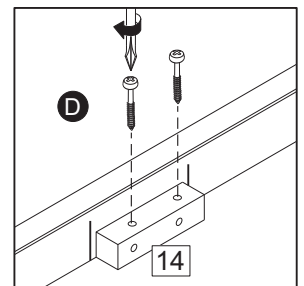
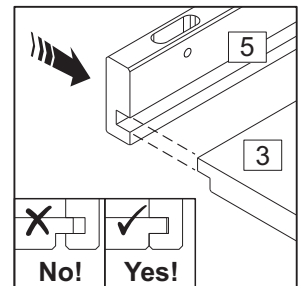
You will need a small mallet and a screwdriver.



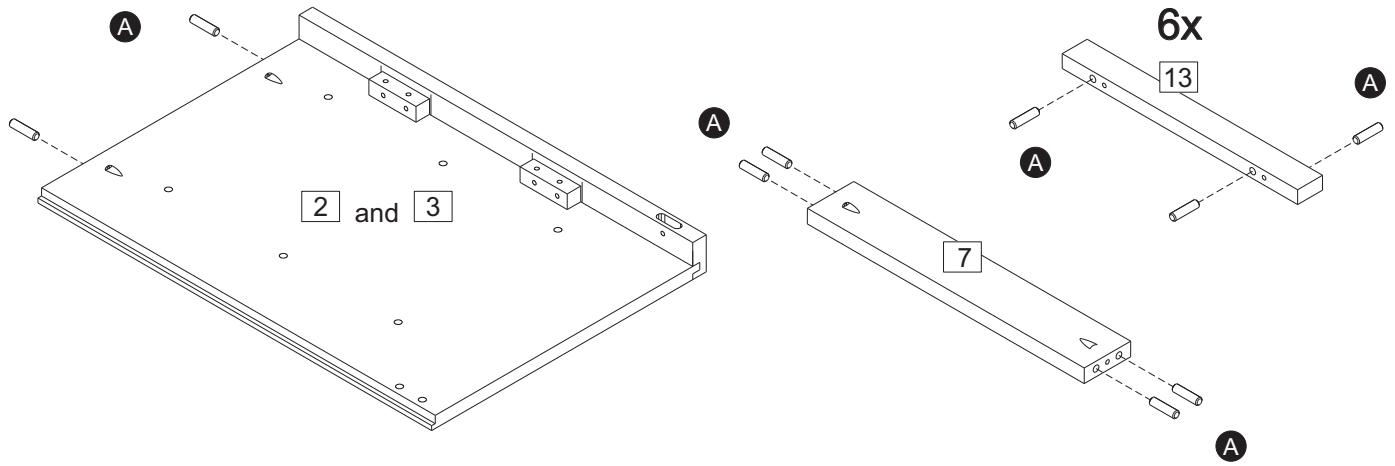
Step 1: Insert the right panel (2) to the right front frame (4) ensuring parts are fully pushed together and lined up. Place the cleats (14) between the marks shown, secure using hardware part D.



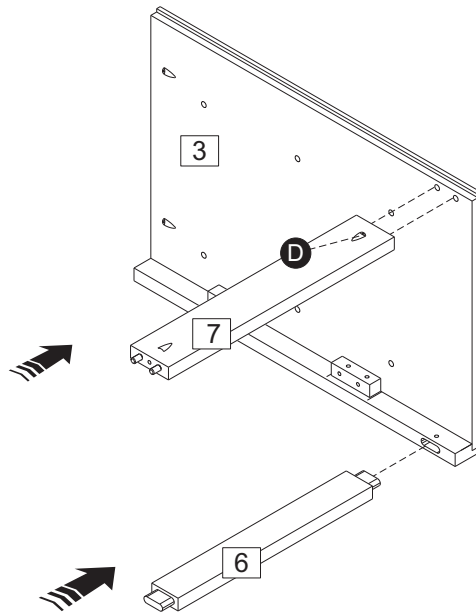
Step 2: Insert the left panel (3) to the left front frame (5) ensuring parts are fully pushed together and lined up. Place the cleats (14) between the marks shown, secure using hardware part D.



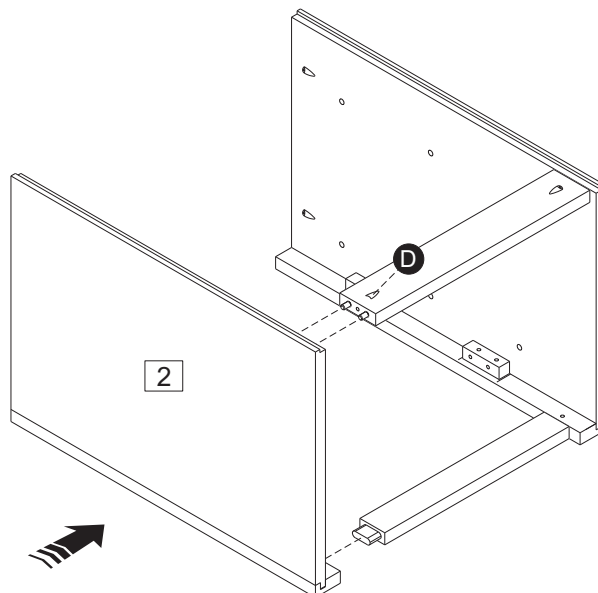
Step 3: Insert hardware part A.



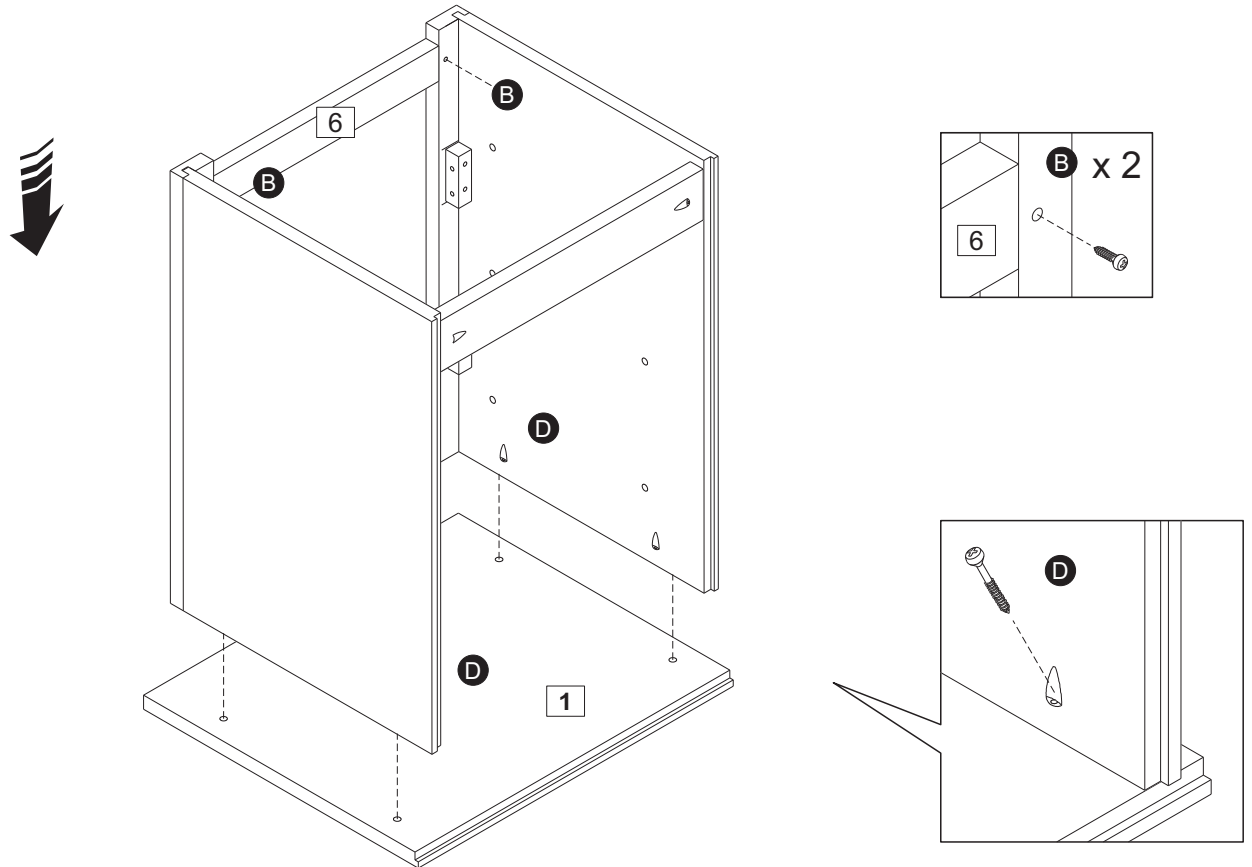
STEP 4: Attach the bottom front frame (6) and rear base plinth (7) to the left panel (3) using hardware part D.



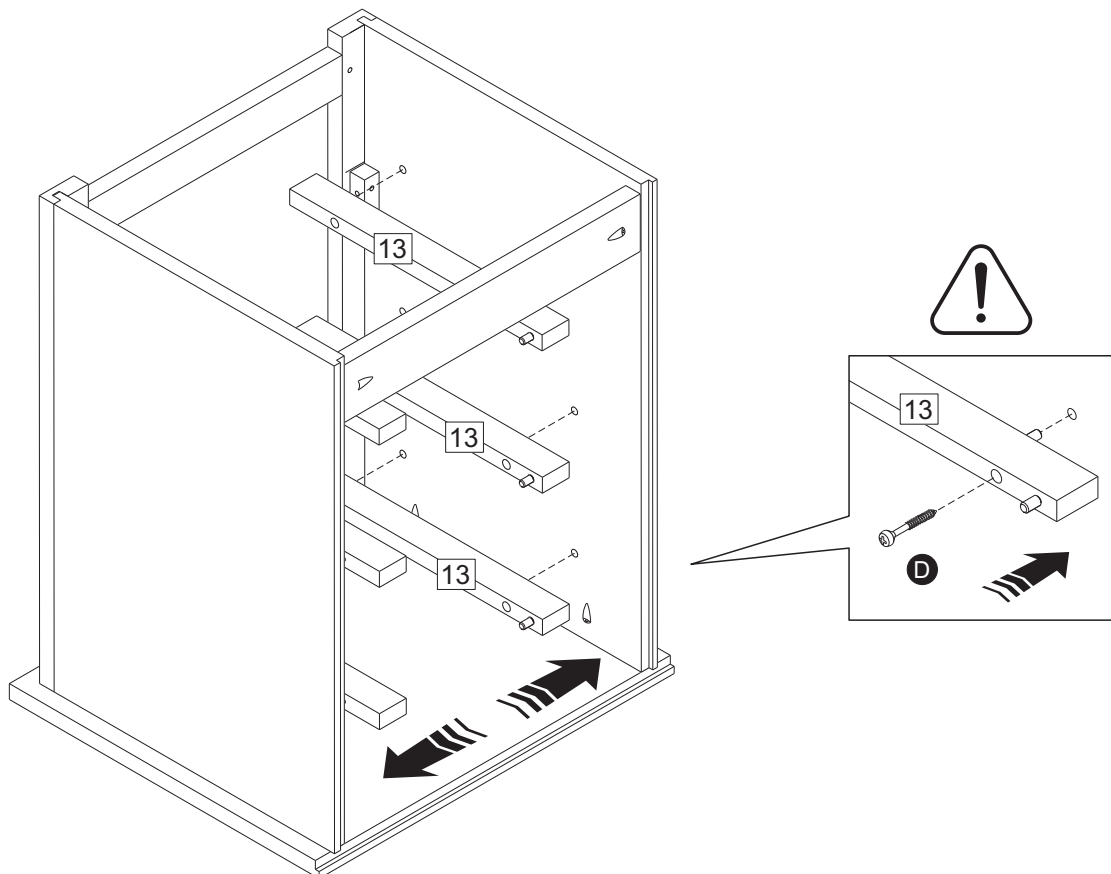
STEP 5: Attach the right panel (2) using hardware part D.



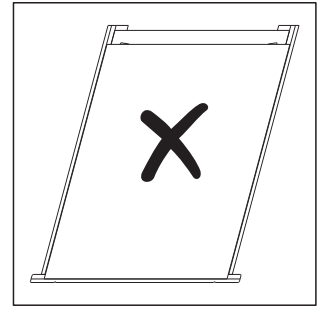
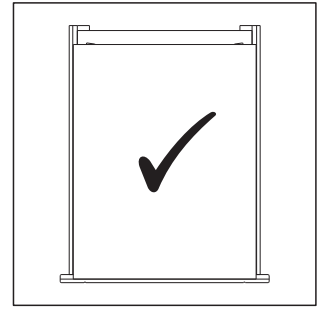
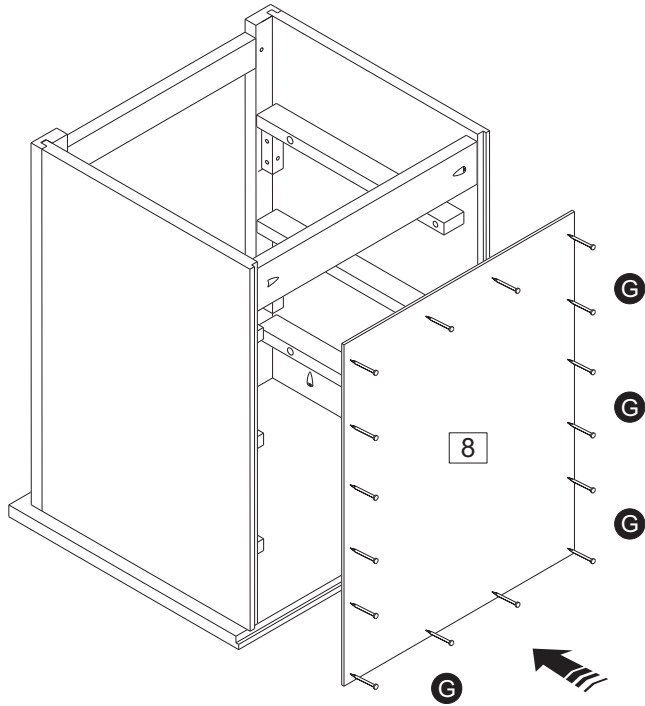
STEP 6: Attach the top panel (1) and secure using hardware part D, then secure the bottom front frame (6) into position using hardware part B.



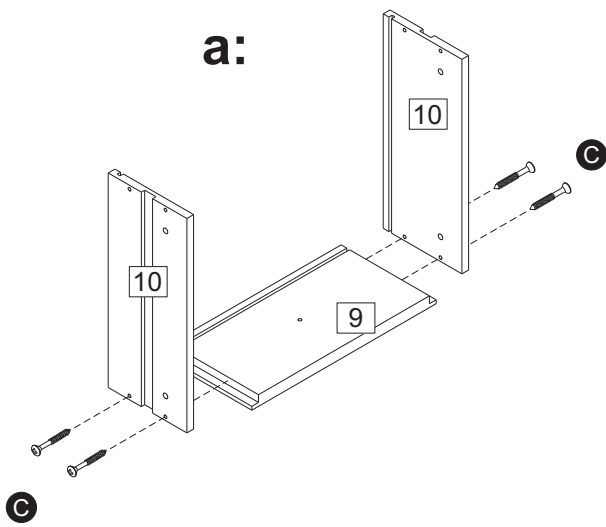
STEP 7: Attach the drawer runners (13) using hardware part D.



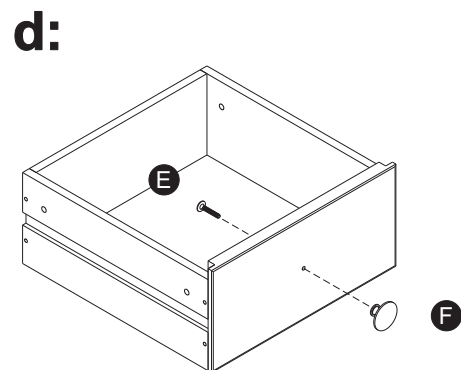
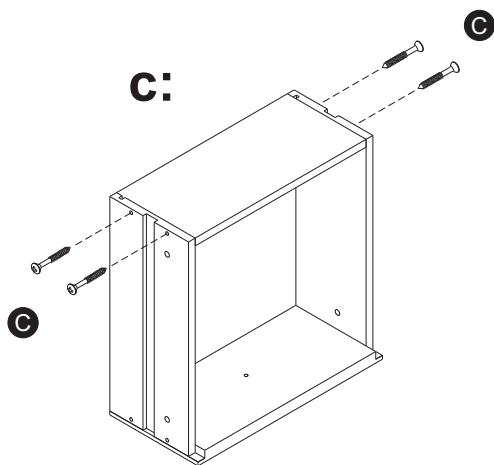
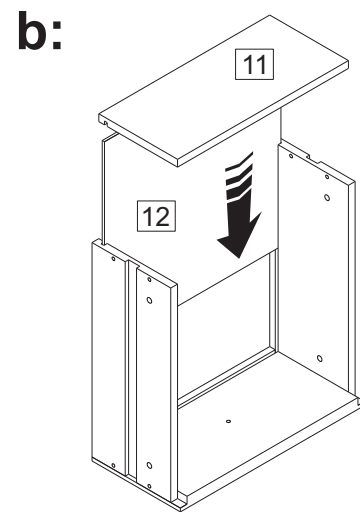
STEP 8: Attach the back panel (8) using hardware part G.



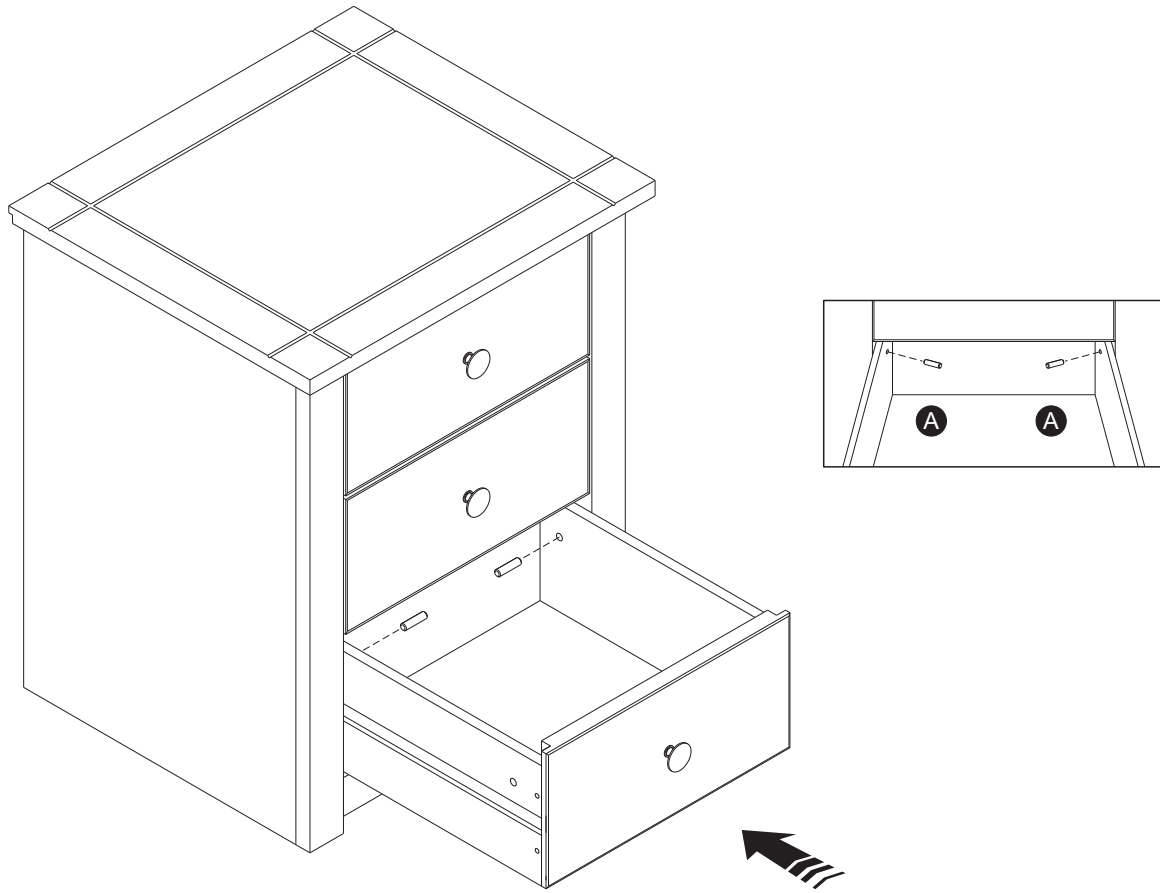
STEP 9: Assemble the drawer components using hardware parts C, E and F.



3x



STEP 10: Insert the assembled drawers and secure into position using hardware part .



Additional Information

If you have any issues with your item please contact the retailer directly you purchased it from who will be able to resolve any issues.