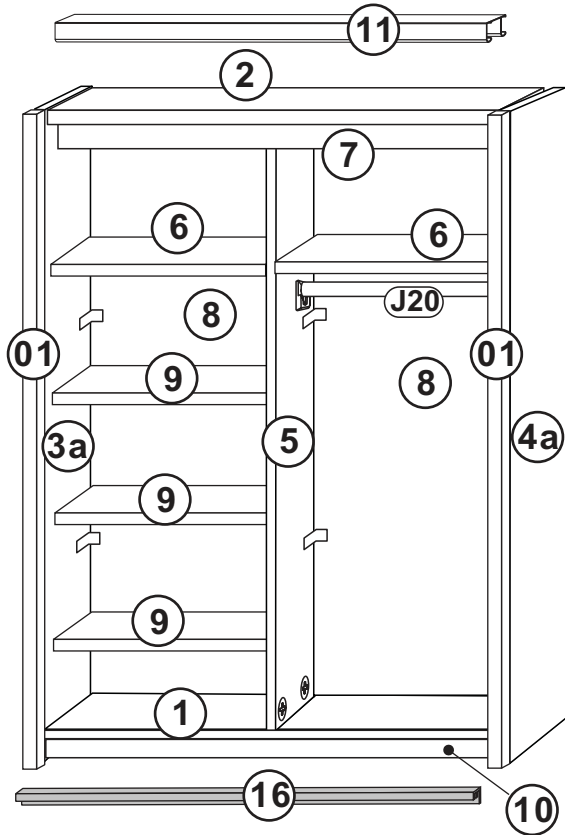
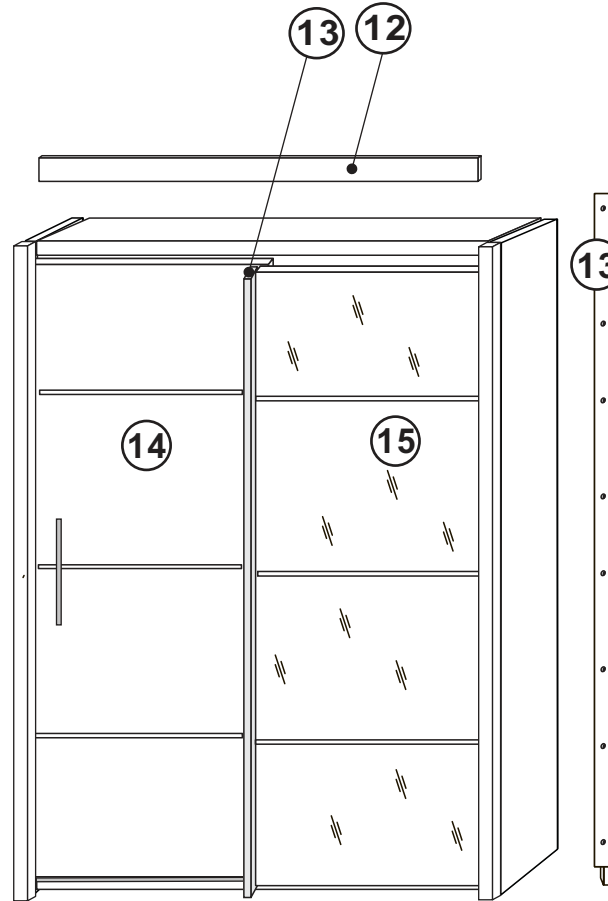
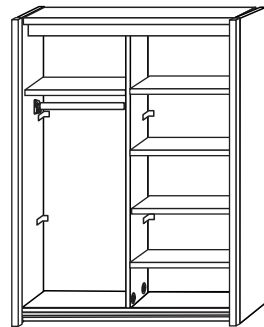


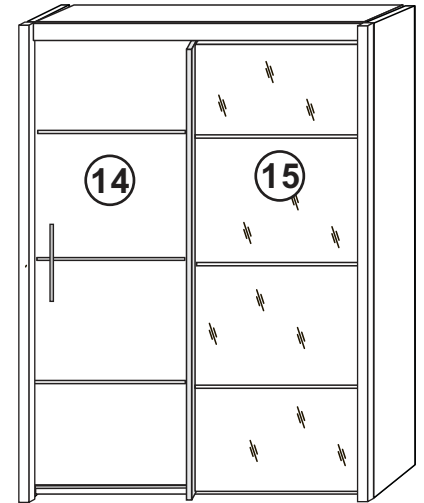
option "a"



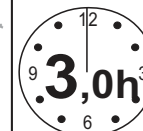
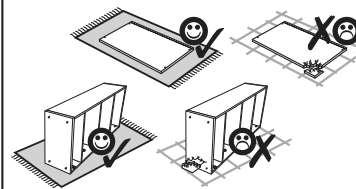
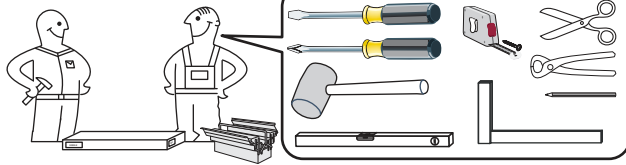
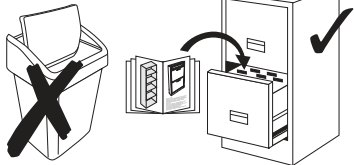
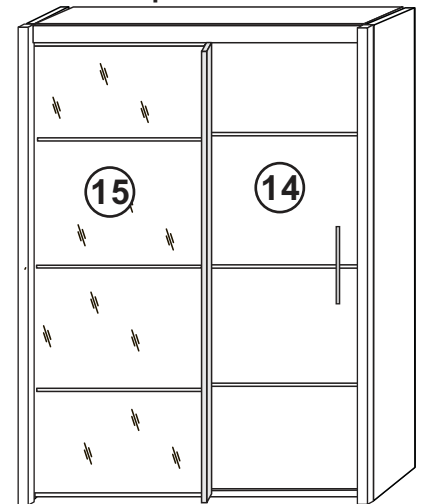
option "b"

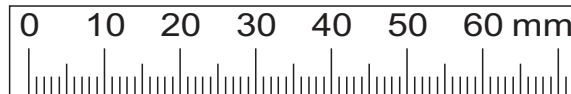
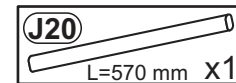
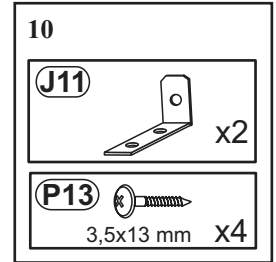
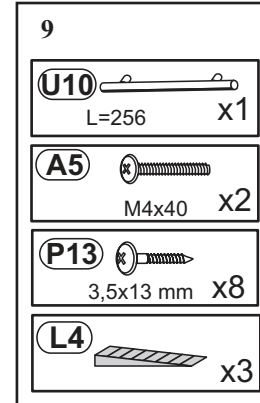
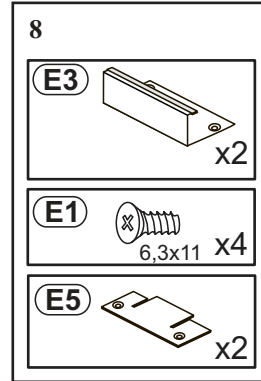
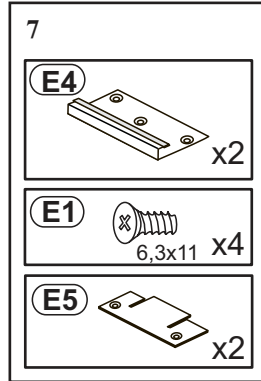
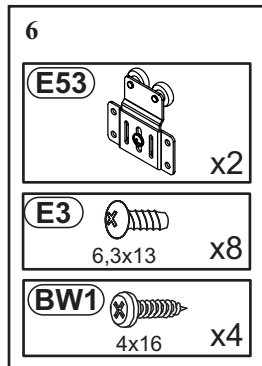
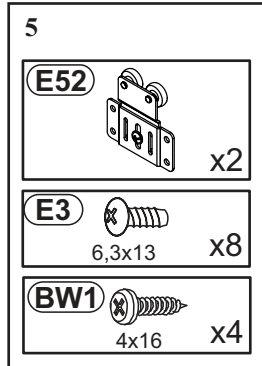
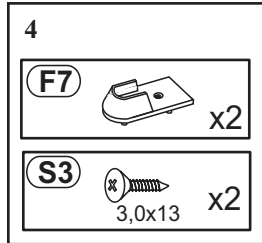
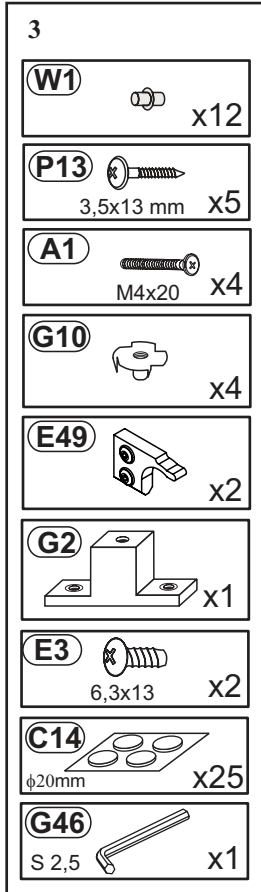
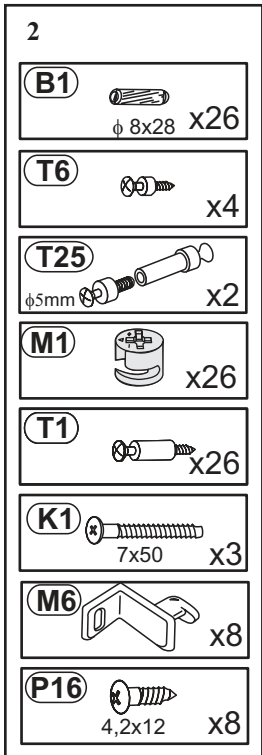
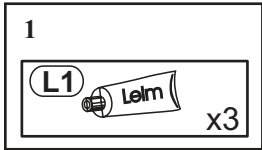


option "c"



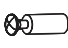


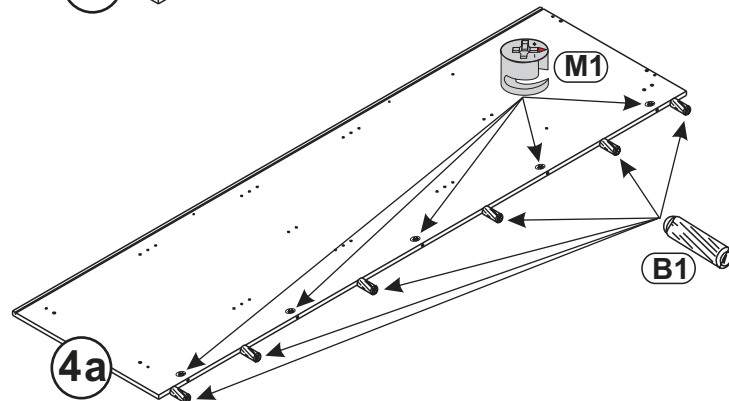
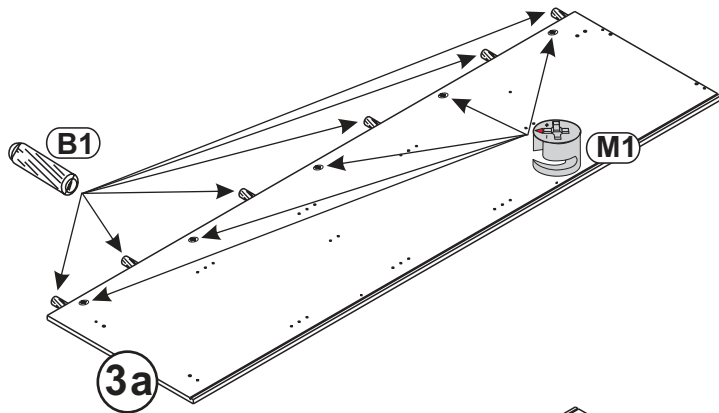
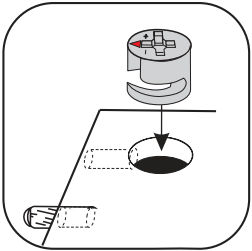
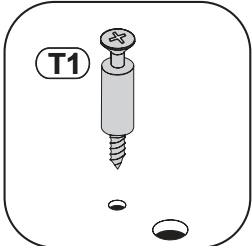
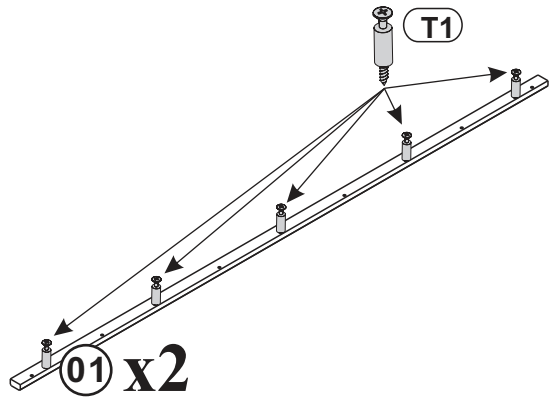
option "d"






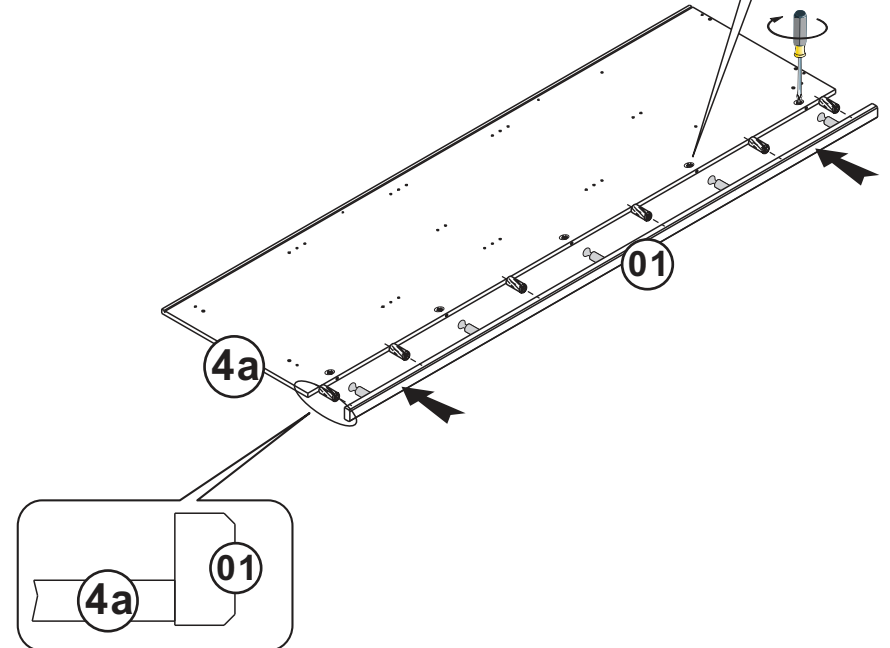
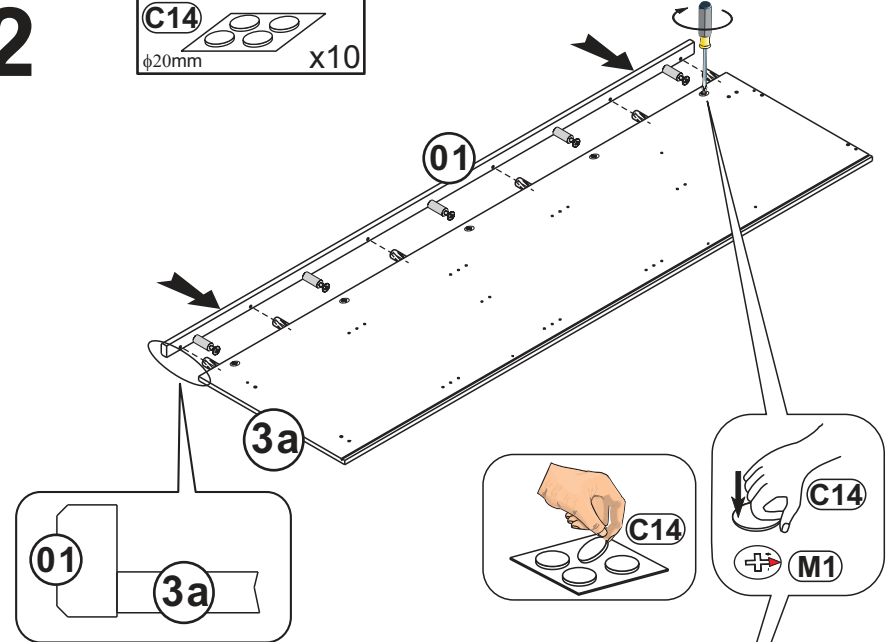
# 1

- B1**   $\phi 8 \times 28$  x12
- M1**  x10
- T1**  x10












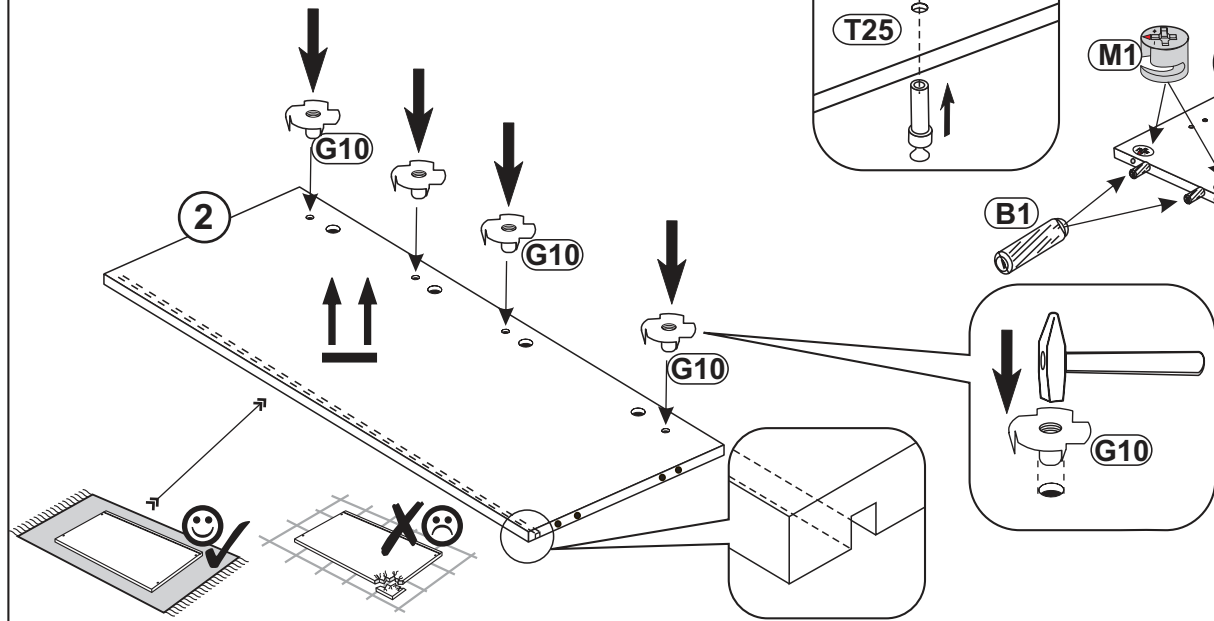
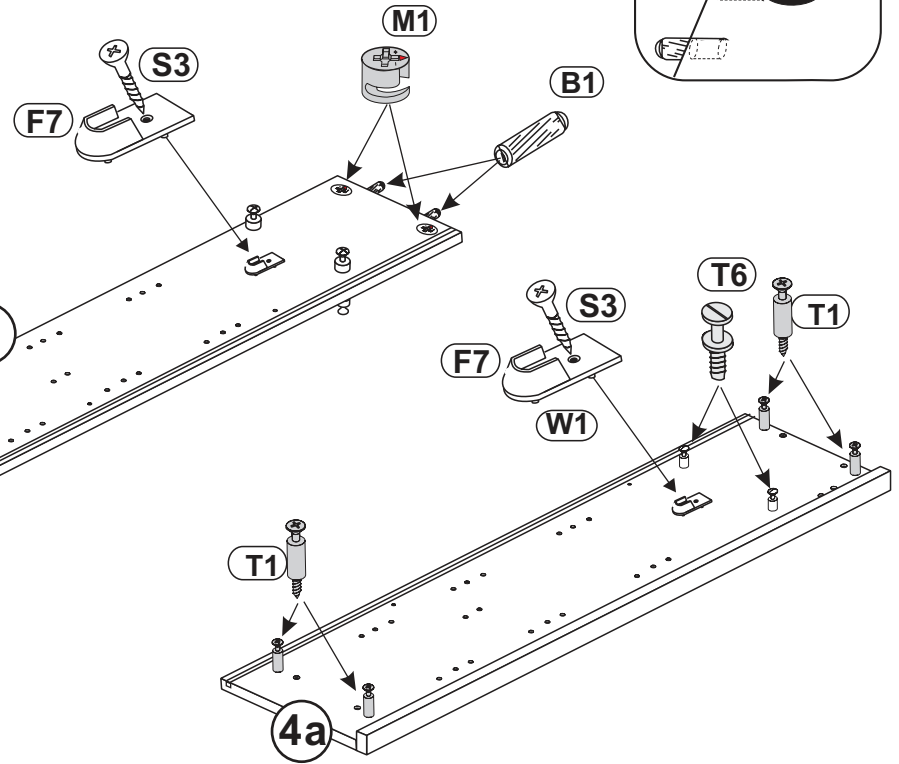
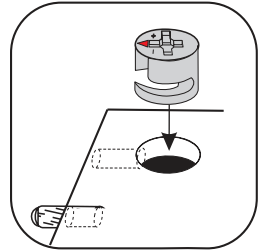
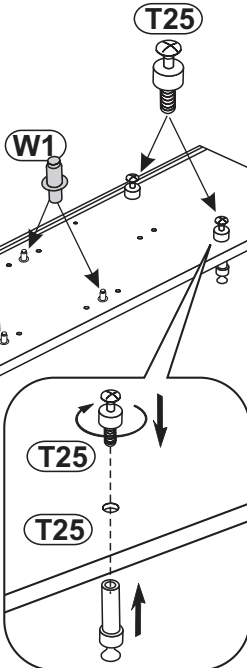
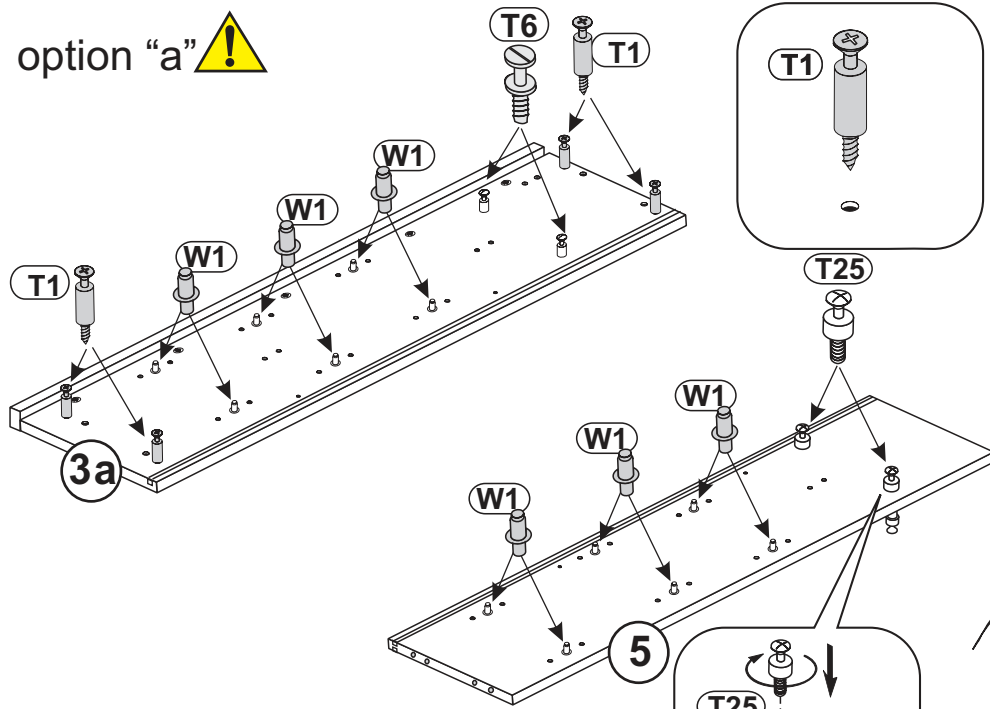
# 2

- C14**   $\phi 20$ mm x10



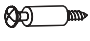




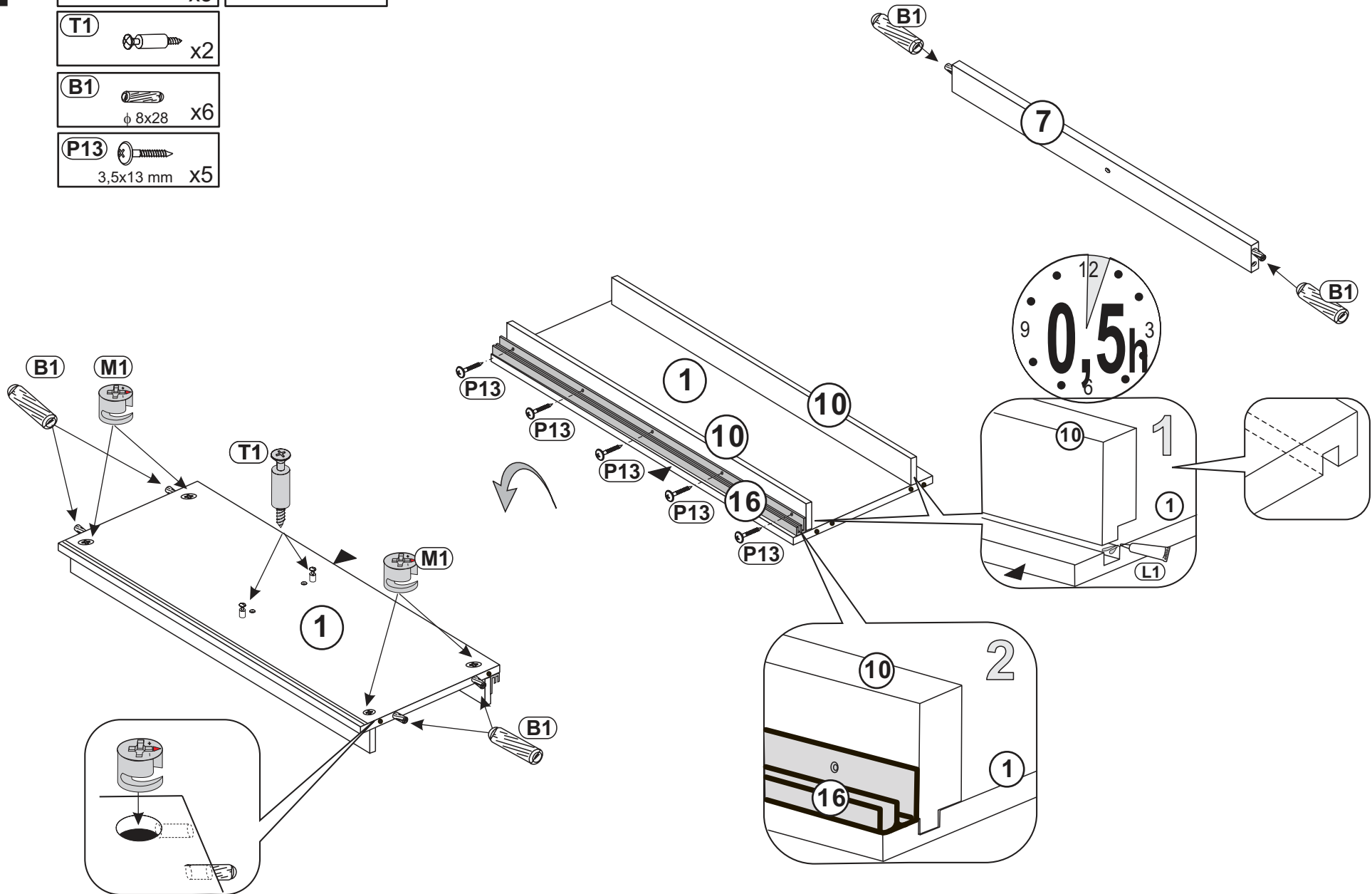
## 3 option "a"

<b>W1</b>  x12	<b>T6</b>  x4	<b>F7</b>  x2	<b>B1</b>  $\phi$ 8x28 x4
<b>G10</b>  x4	<b>T1</b>  x8	<b>S3</b>  3.0x13 x2	<b>M1</b>  x4
<b>T25</b>  $\phi$ 5mm x2			

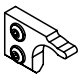



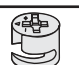



## 4

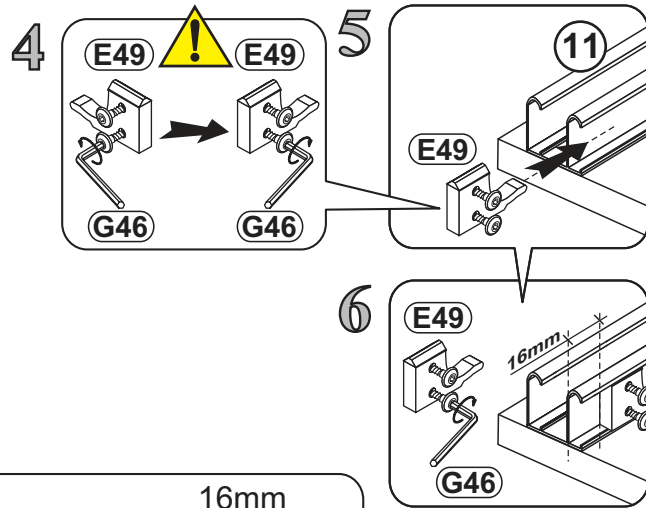
- L1**  x3
- M1**  x4
- T1**  x2
- B1**   $\phi$  8x28 x6
- P13**  3,5x13 mm x5



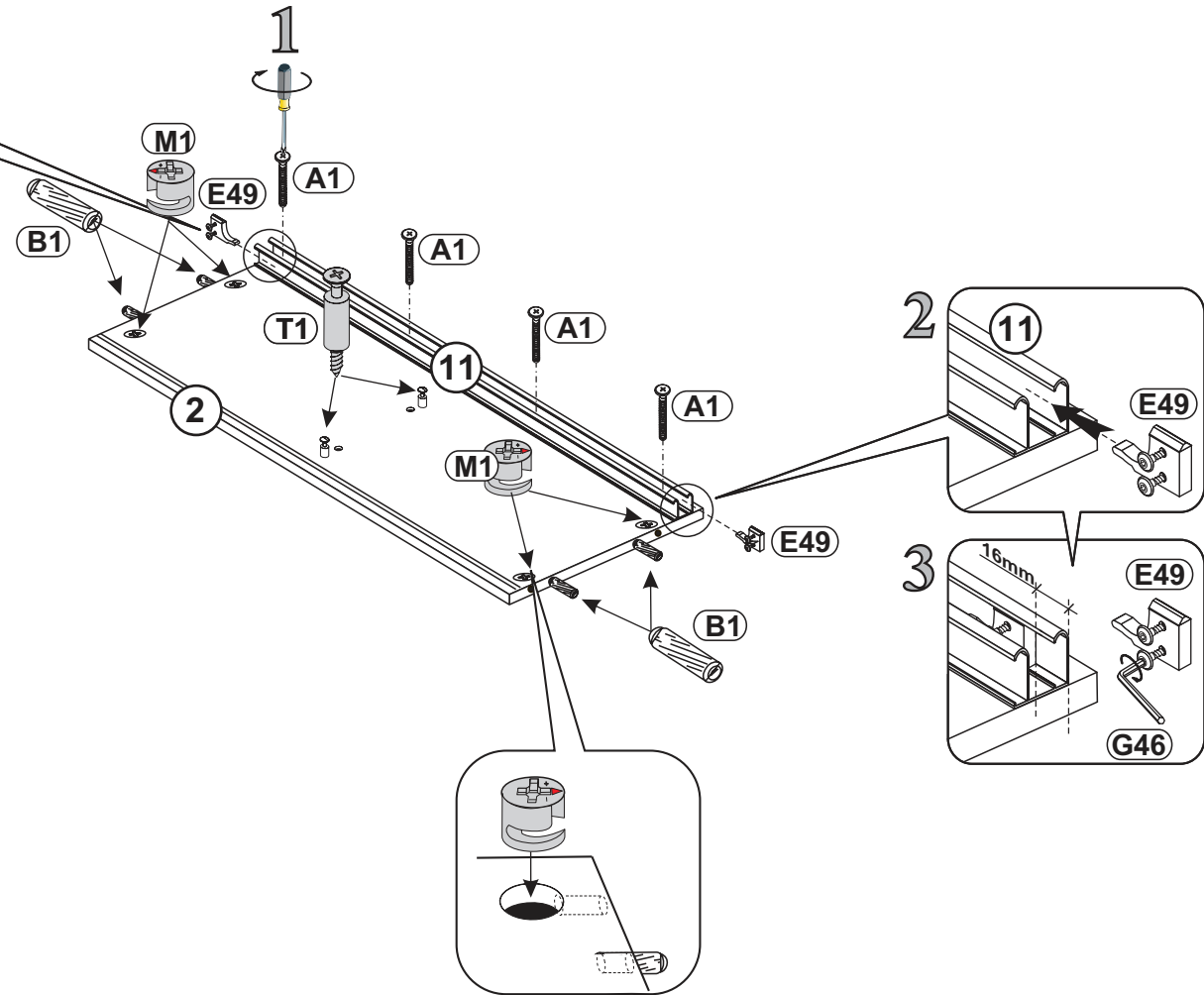
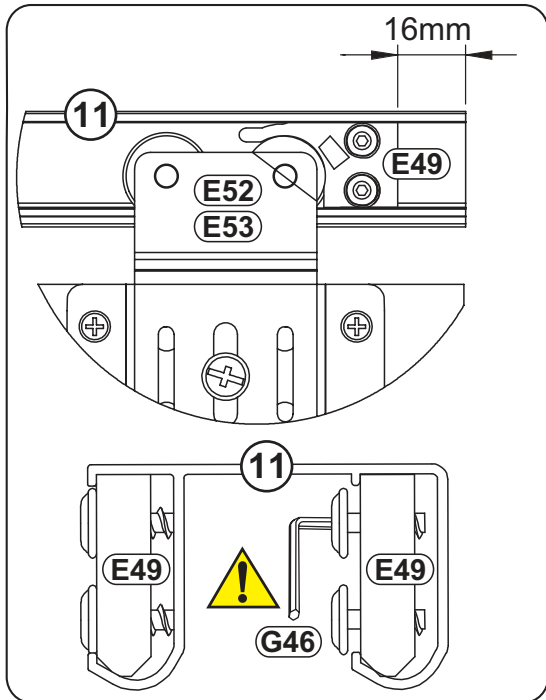
## 5a

<b>E49</b>  x2	<b>B1</b>  ∅ 8x28 x4	<b>T1</b>  x2	<b>G46</b>  S 2,5 x1
<b>M1</b>  x4	<b>A1</b>  M4x20 x4		

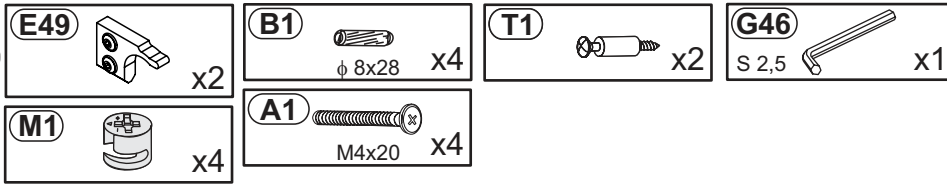
option "c" 



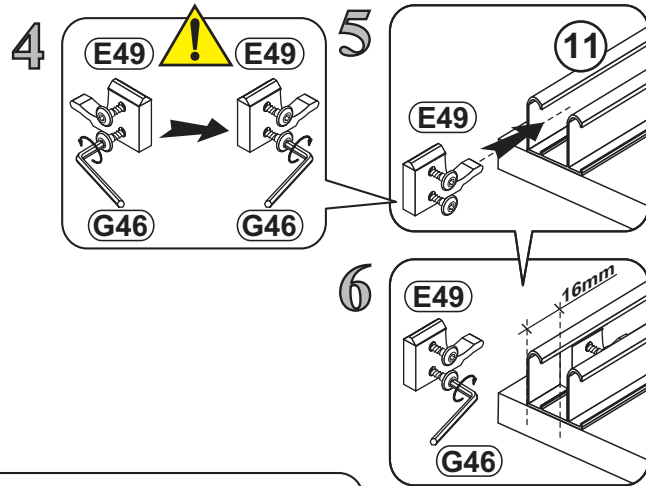
## 3a



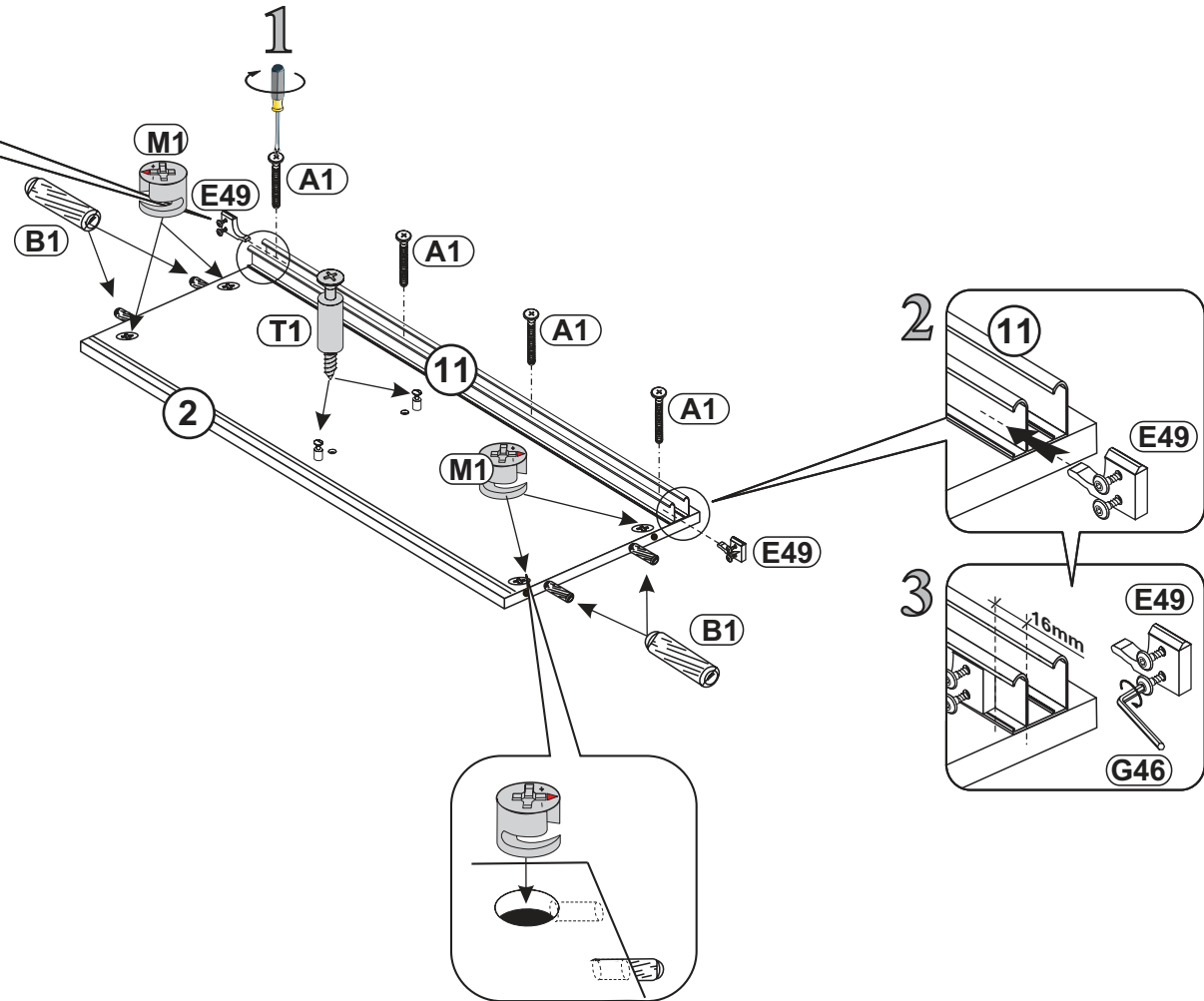
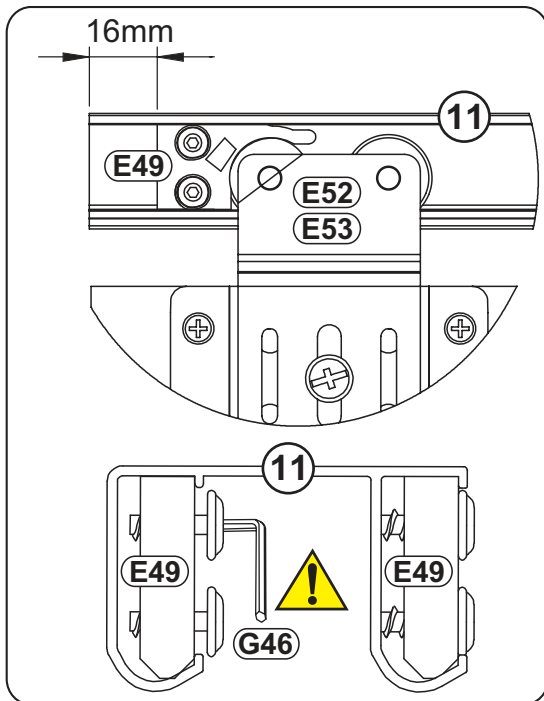
## 5b



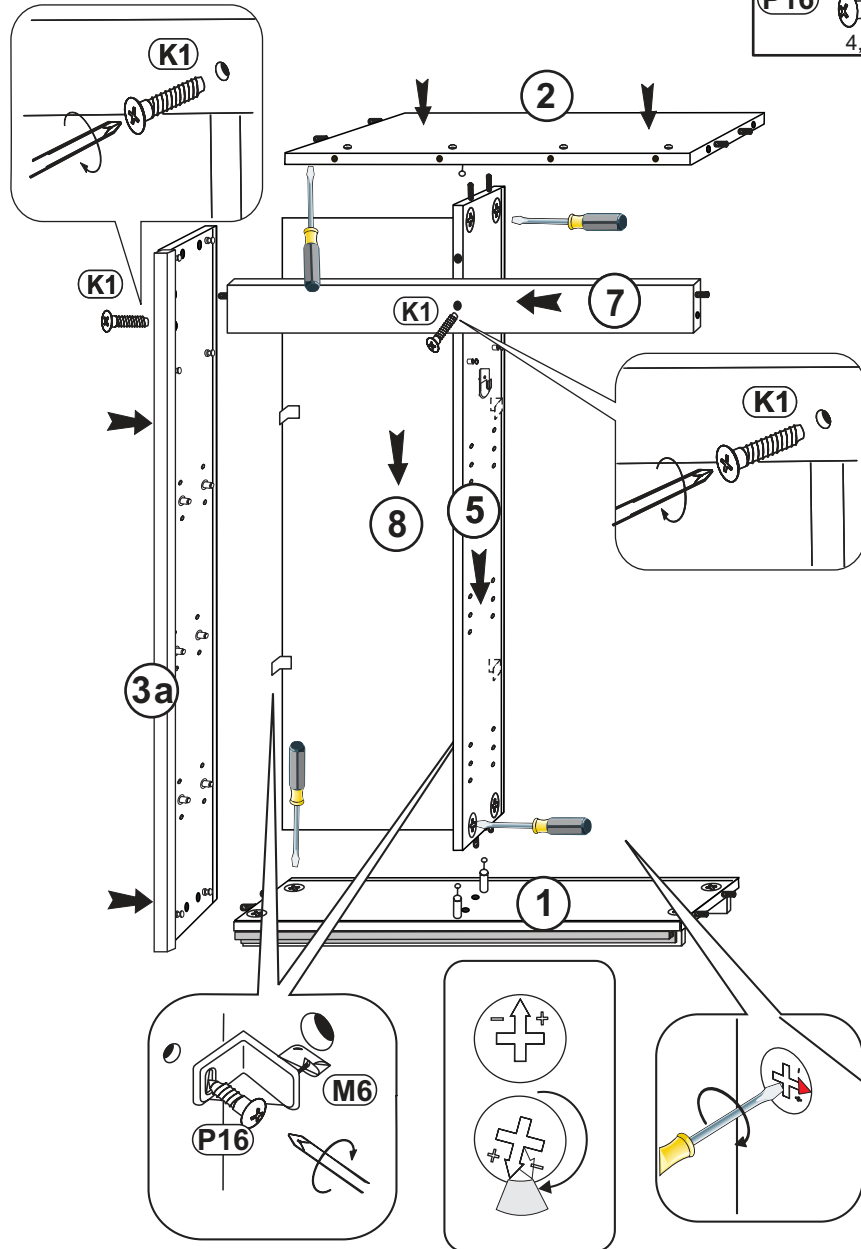
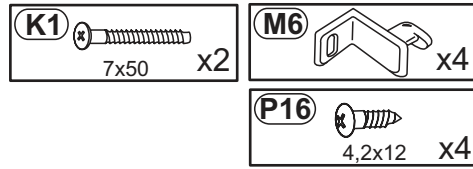
option "d" 



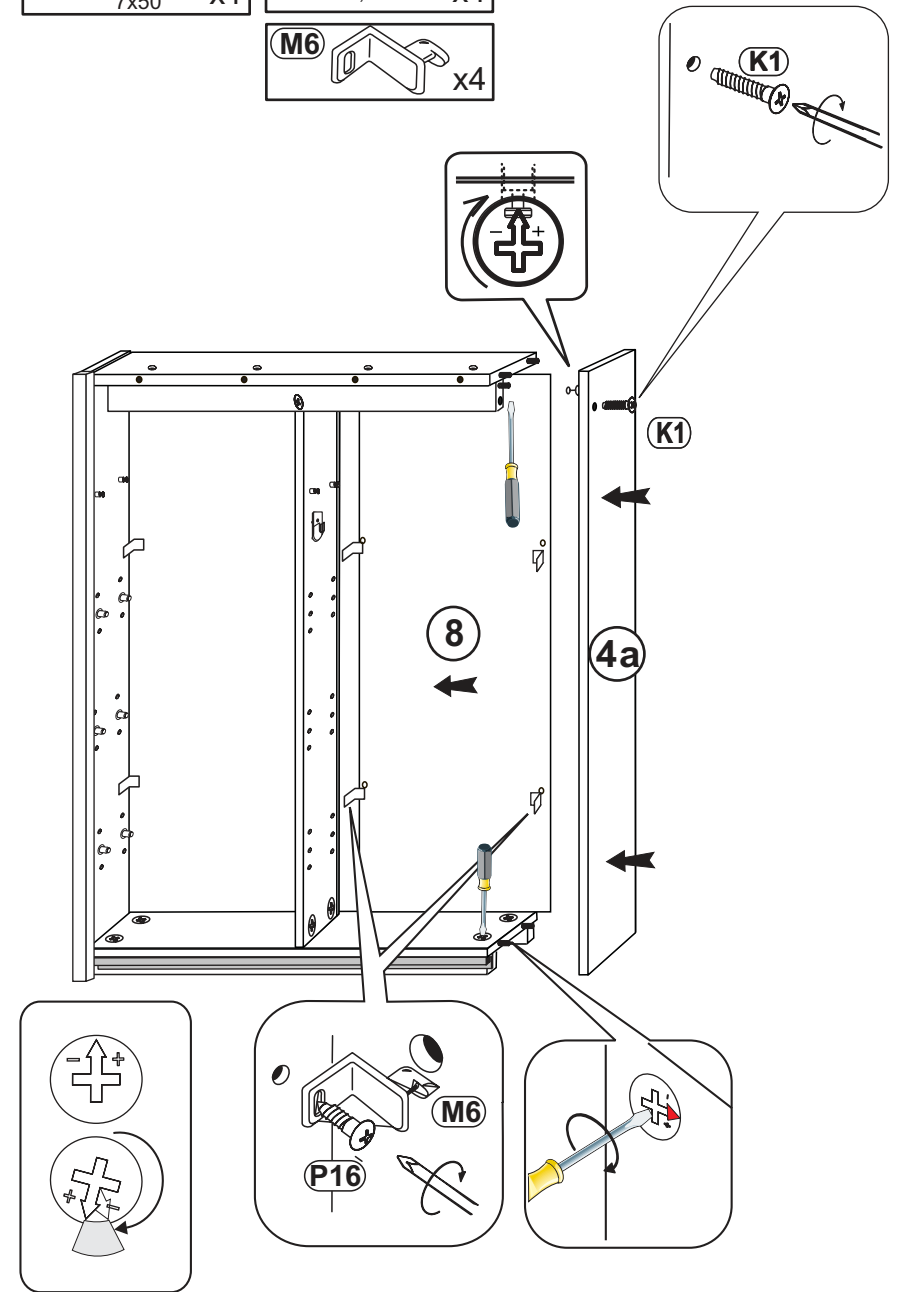
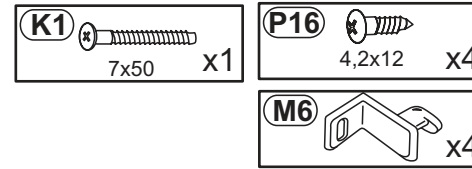
## 6a



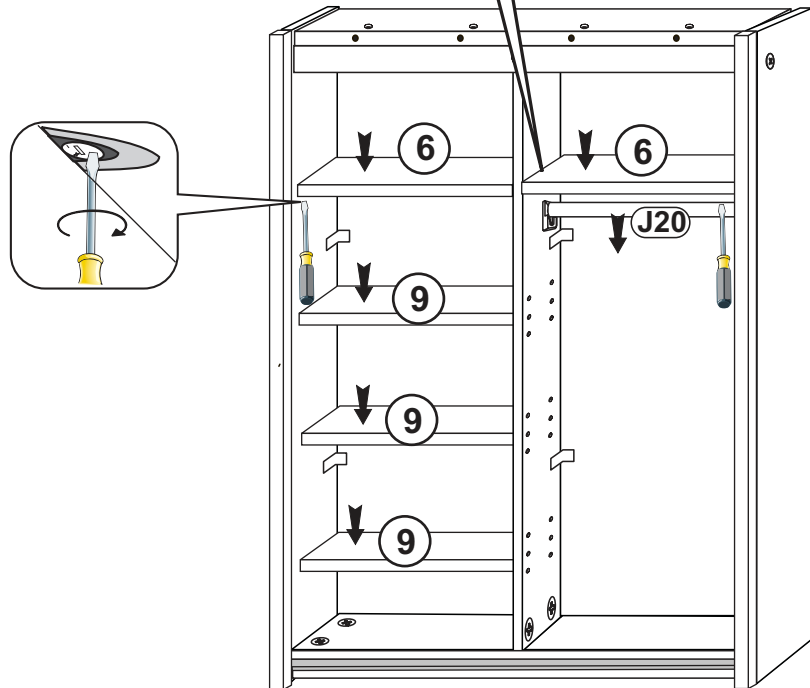
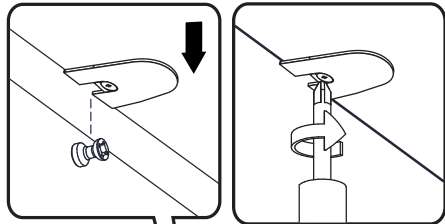
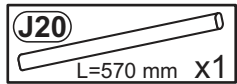
## 6 option "a"



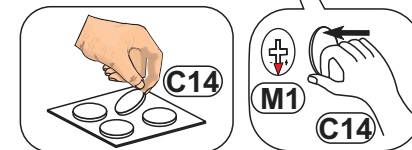
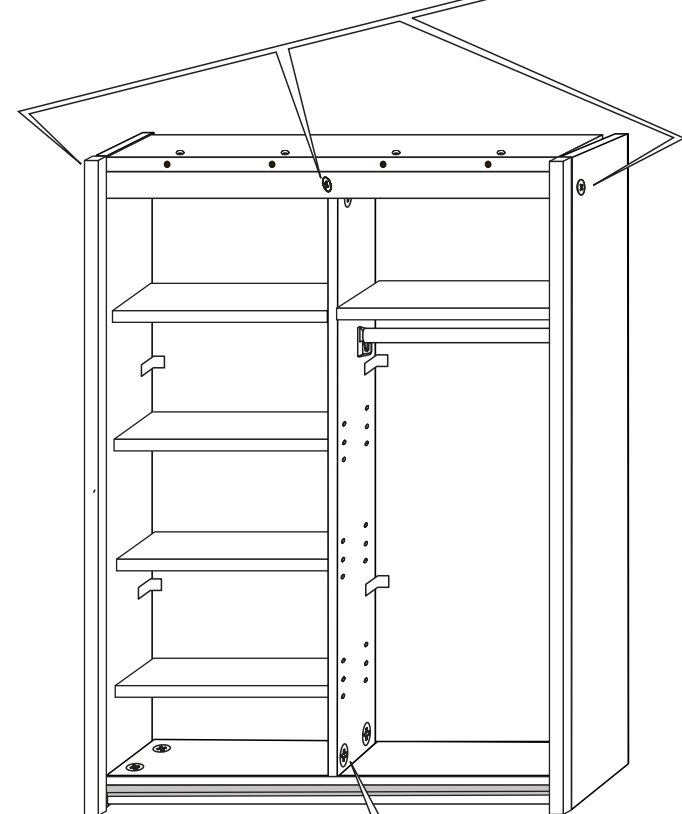
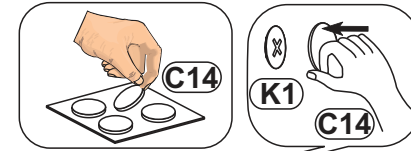
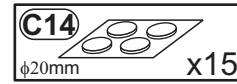
## 7



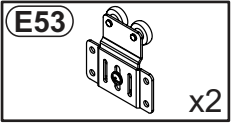
## 8



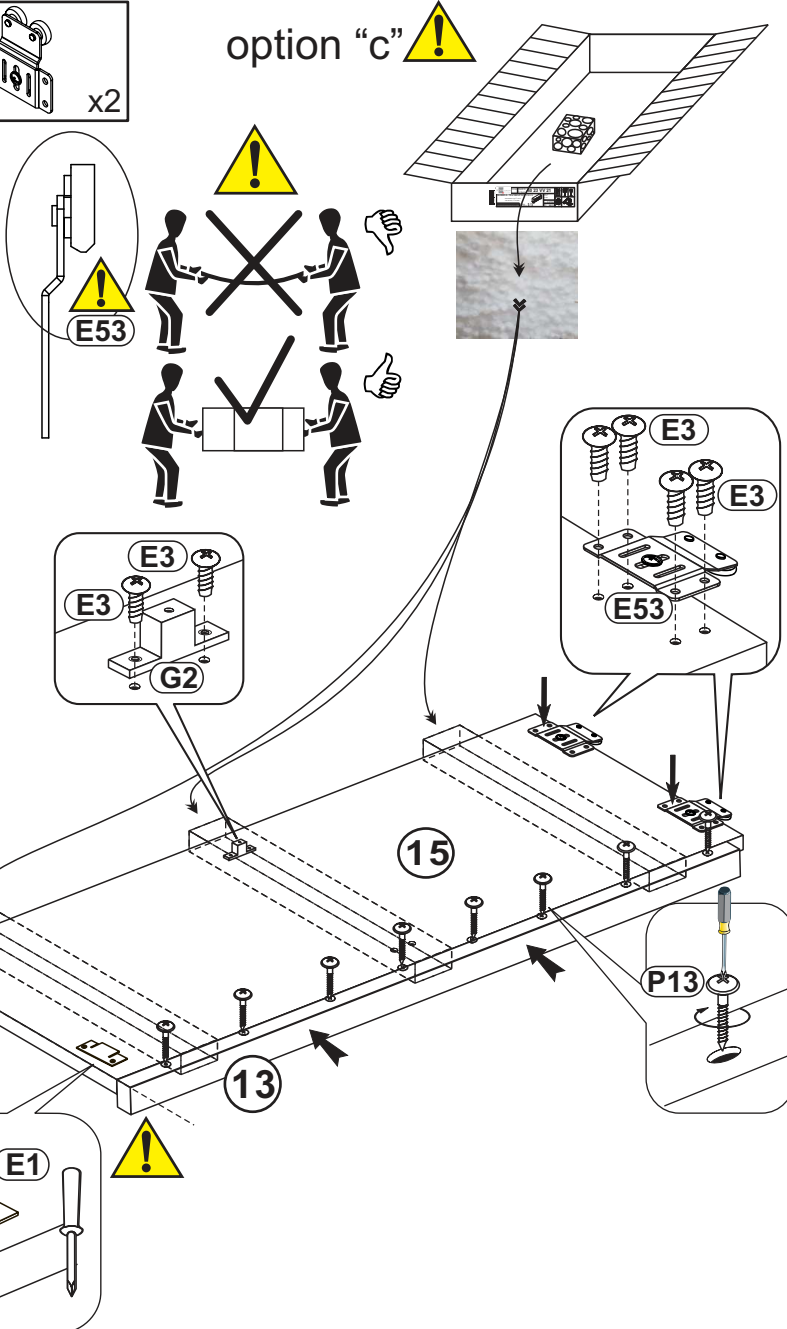
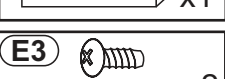
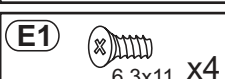
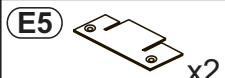
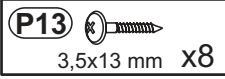
## 9



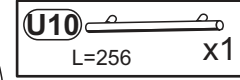
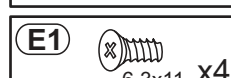
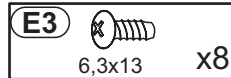
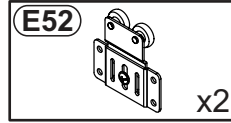
## 10



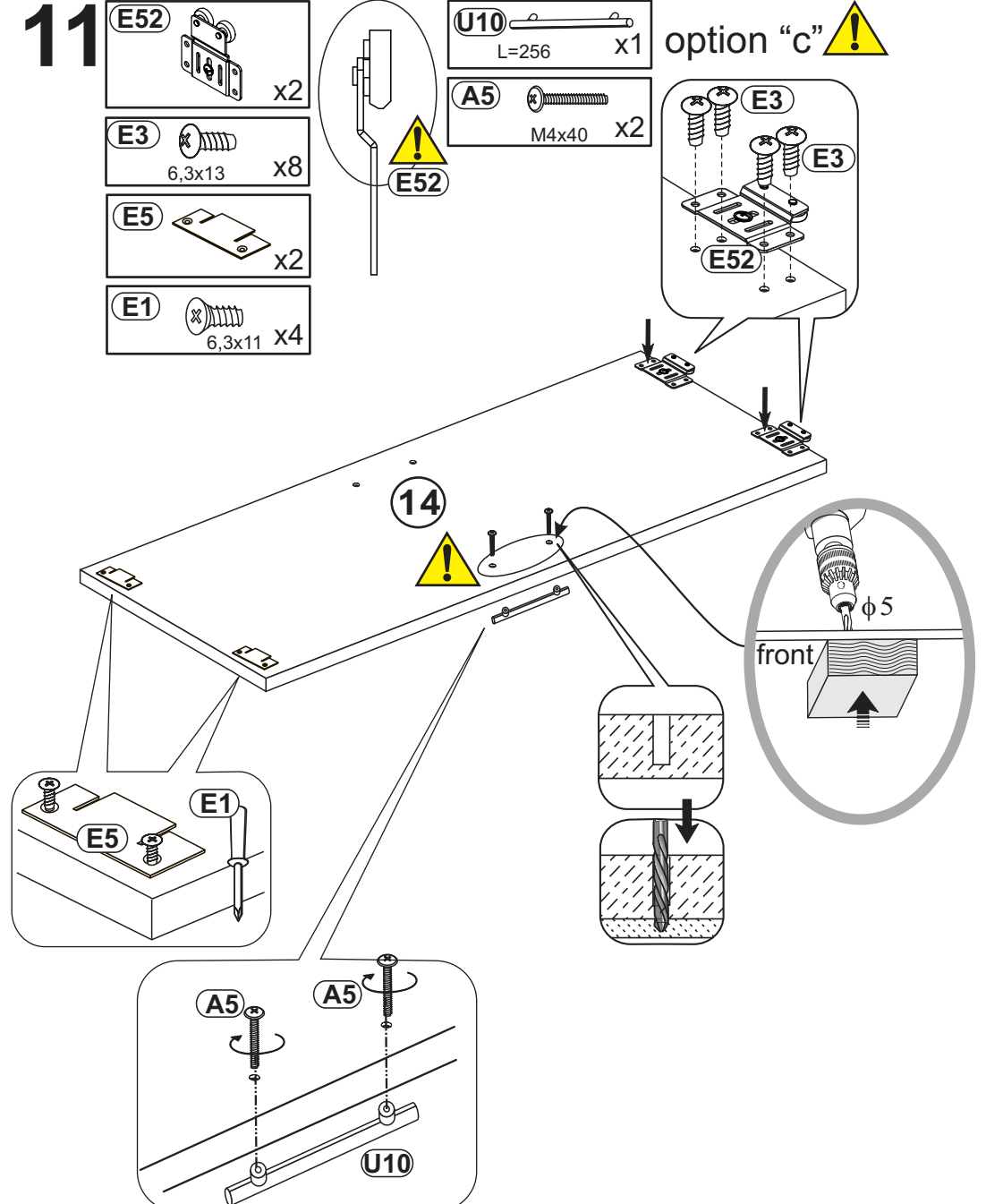
option "c"



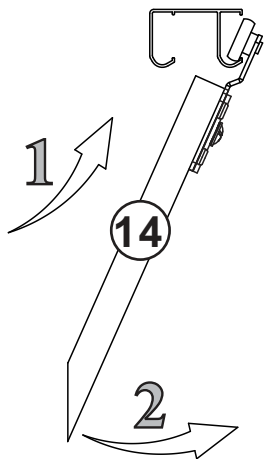
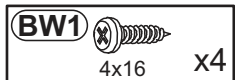
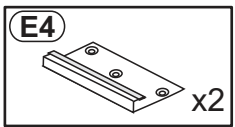
## 11



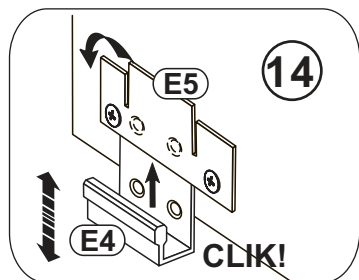
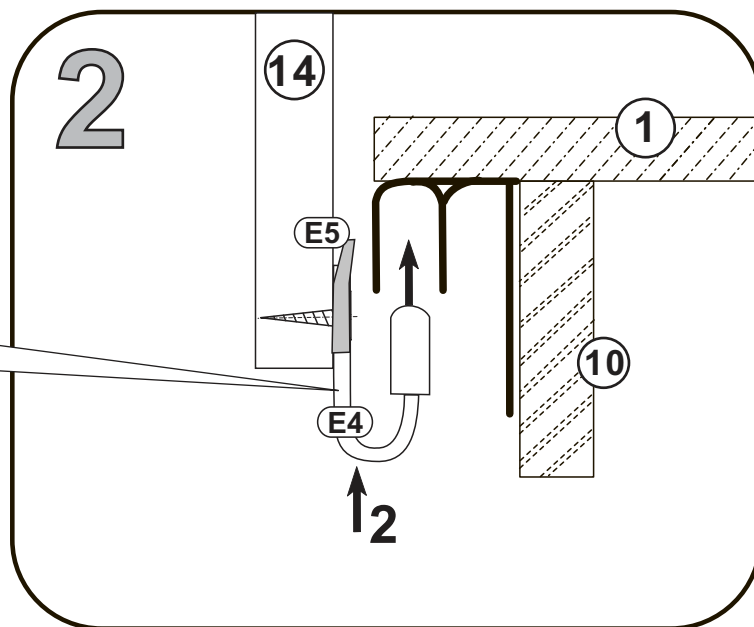
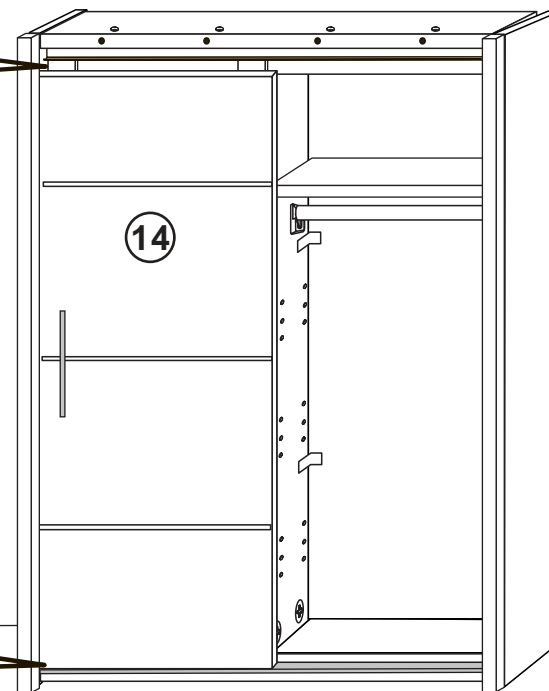
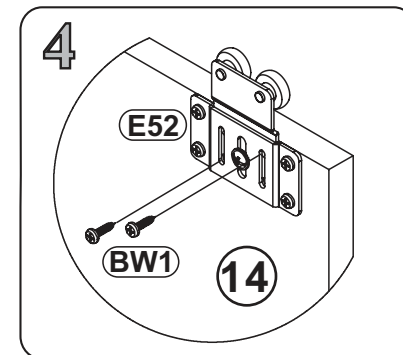
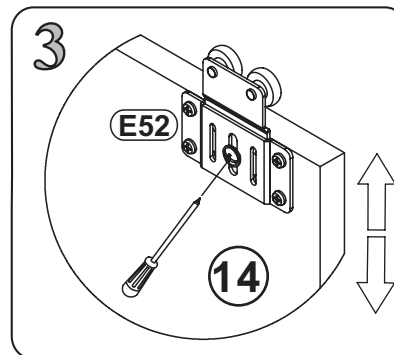
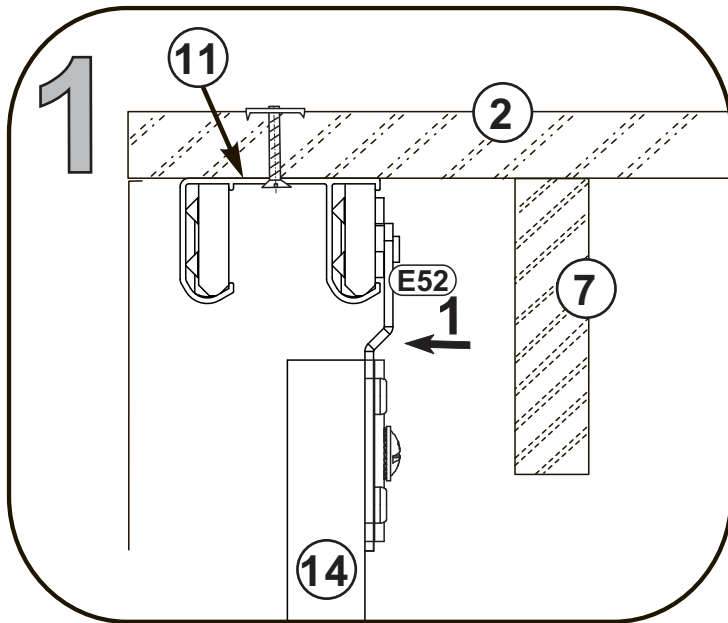
option "c"



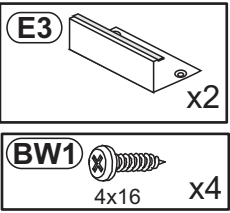
12



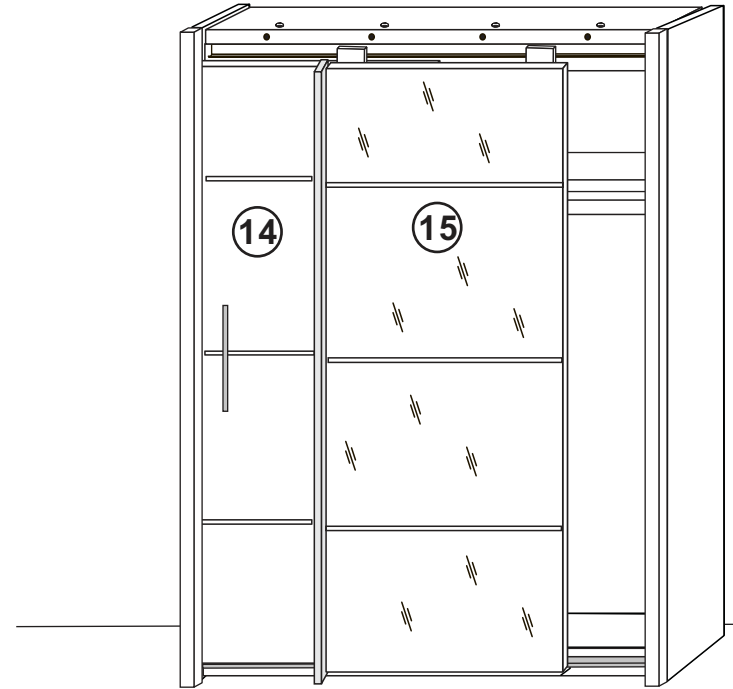
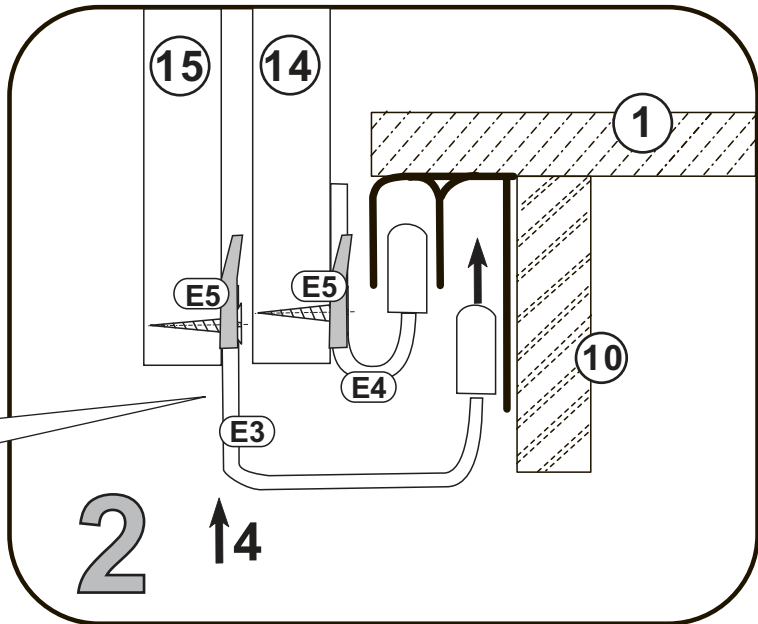
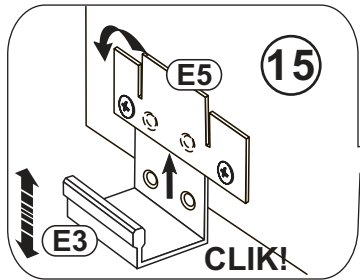
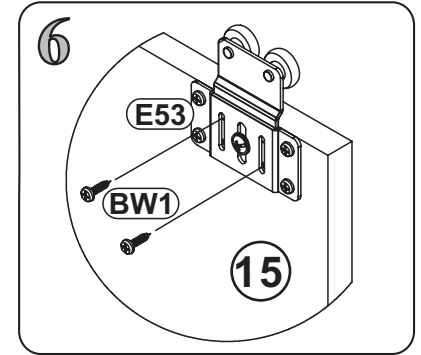
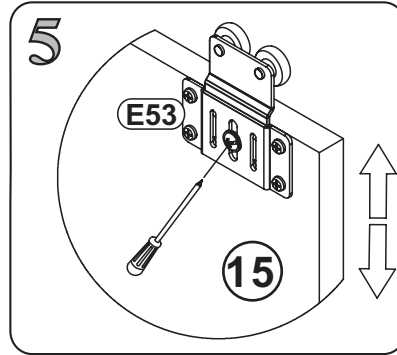
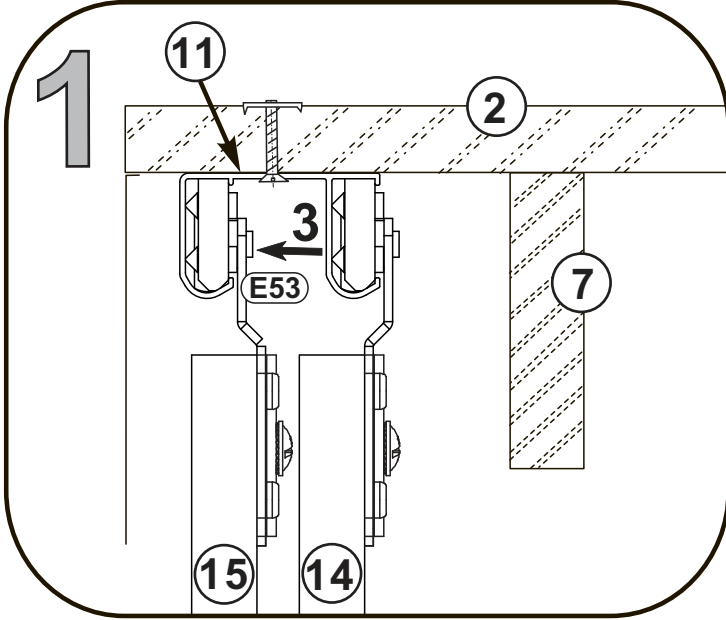
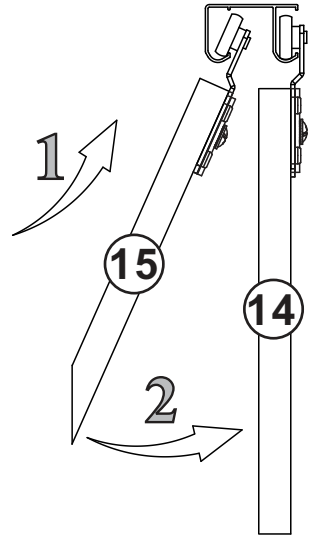
option "c" 



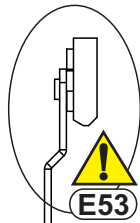
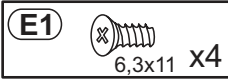
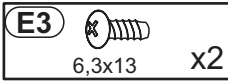
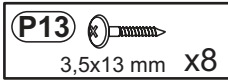
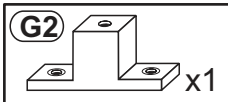
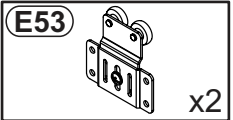
13



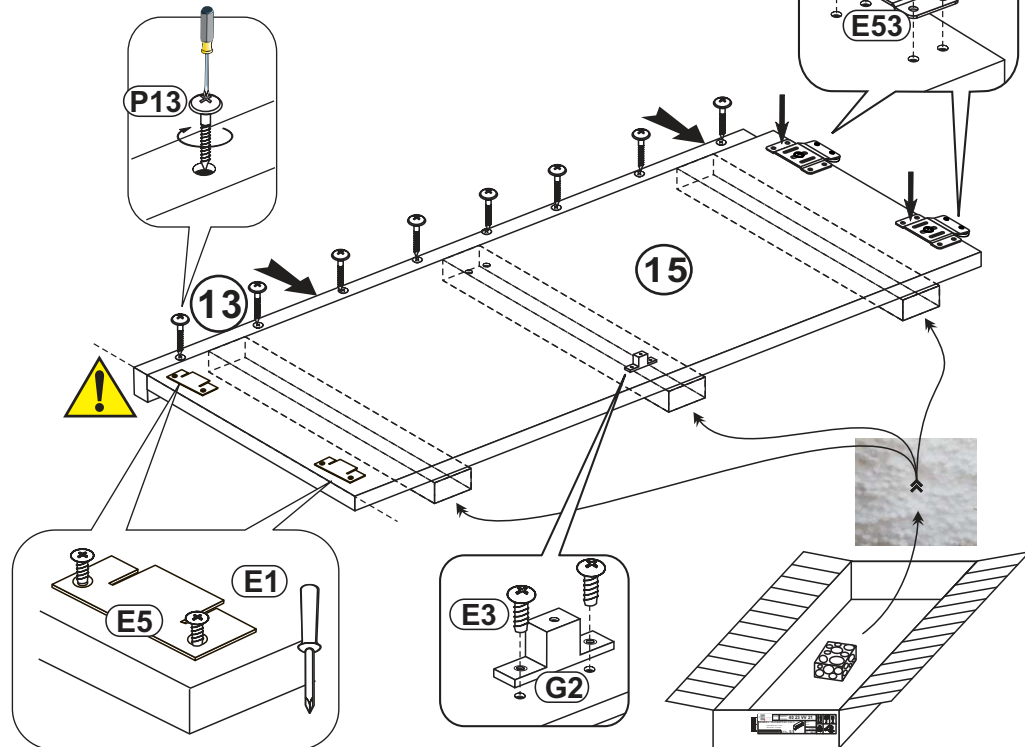
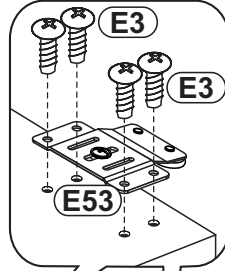
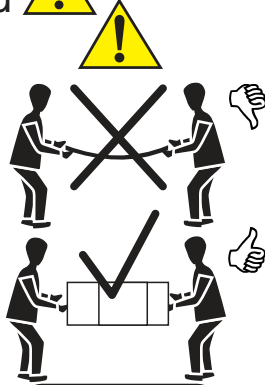
option "c"



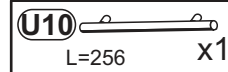
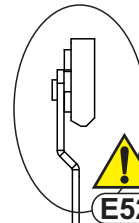
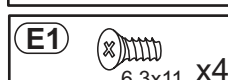
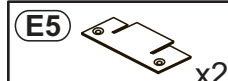
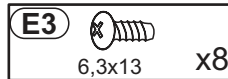
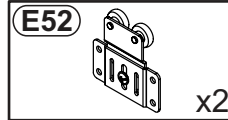
## 14



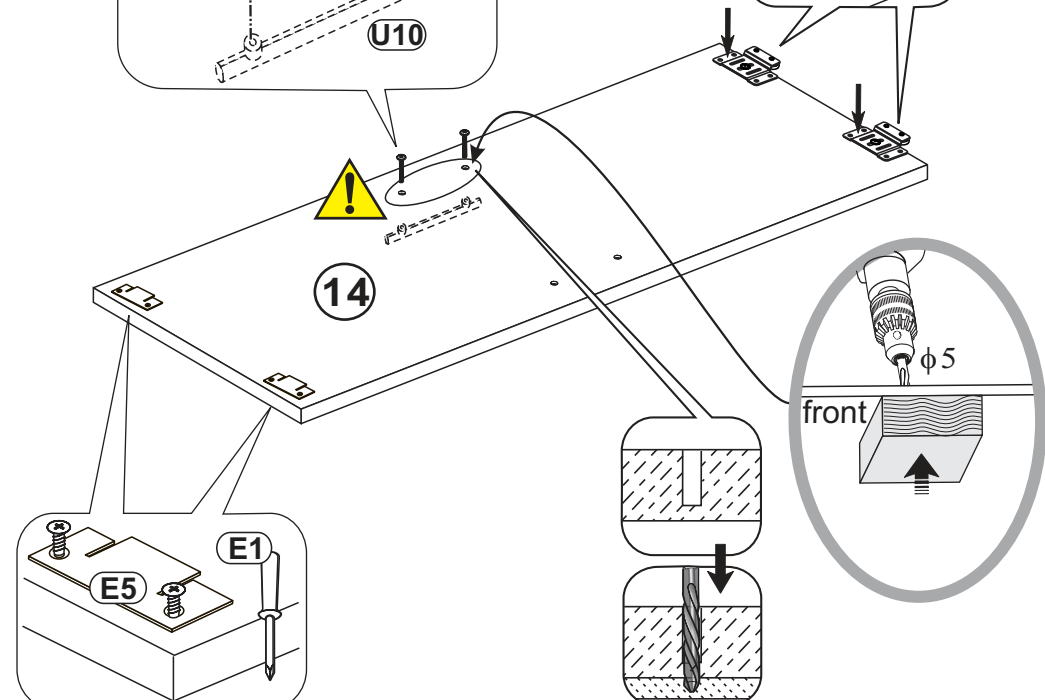
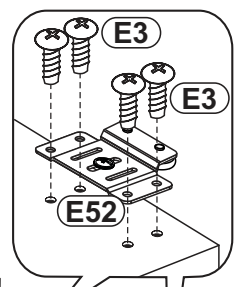
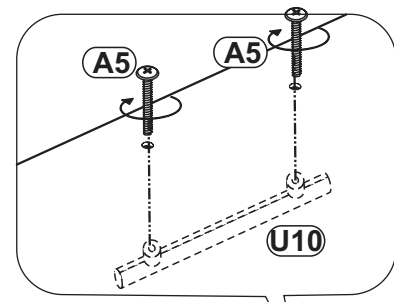
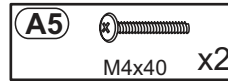
option "d" 



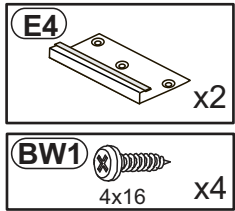
## 15



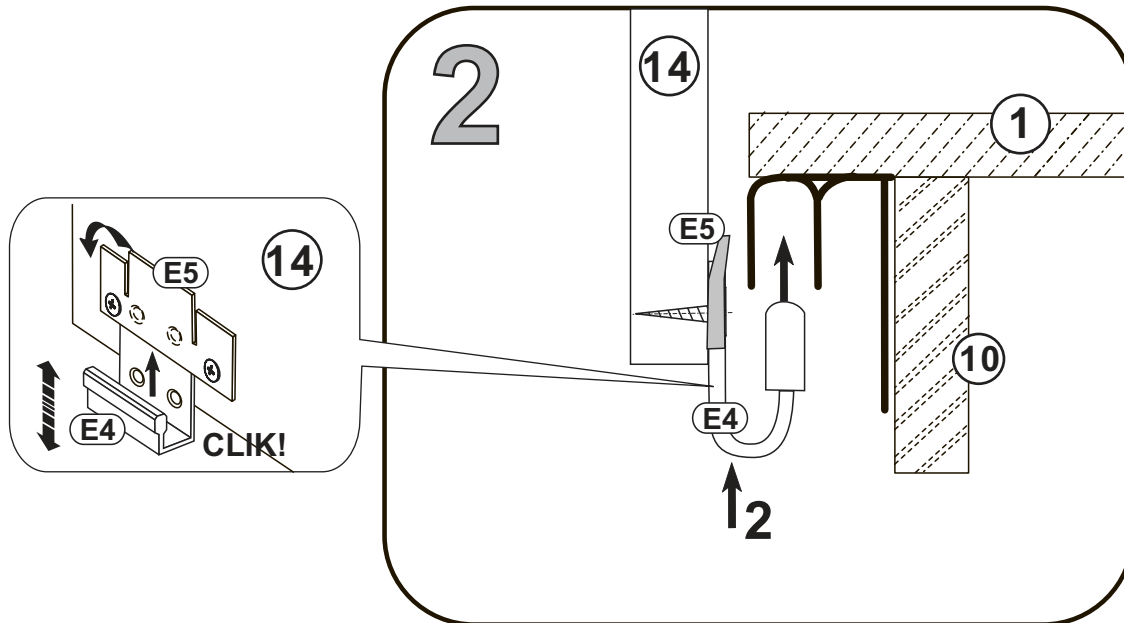
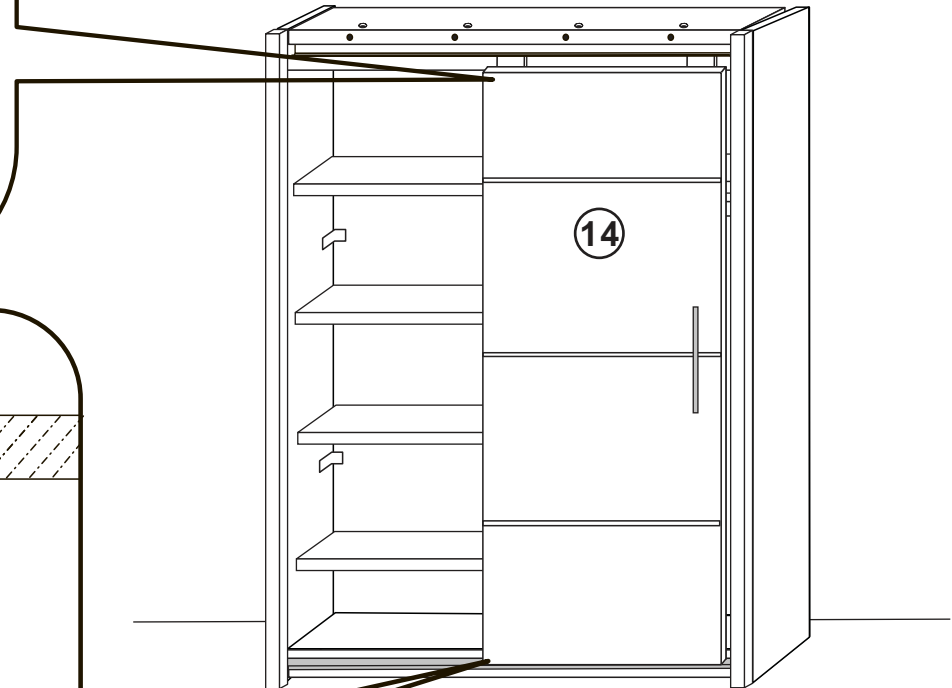
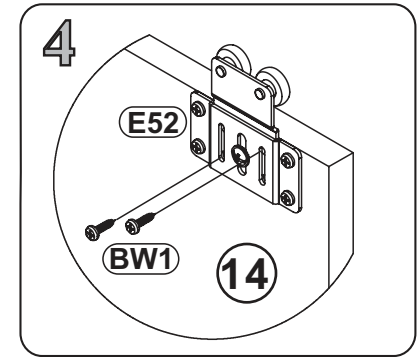
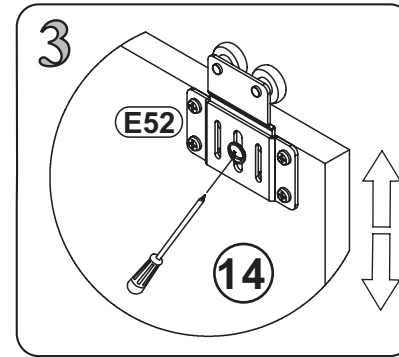
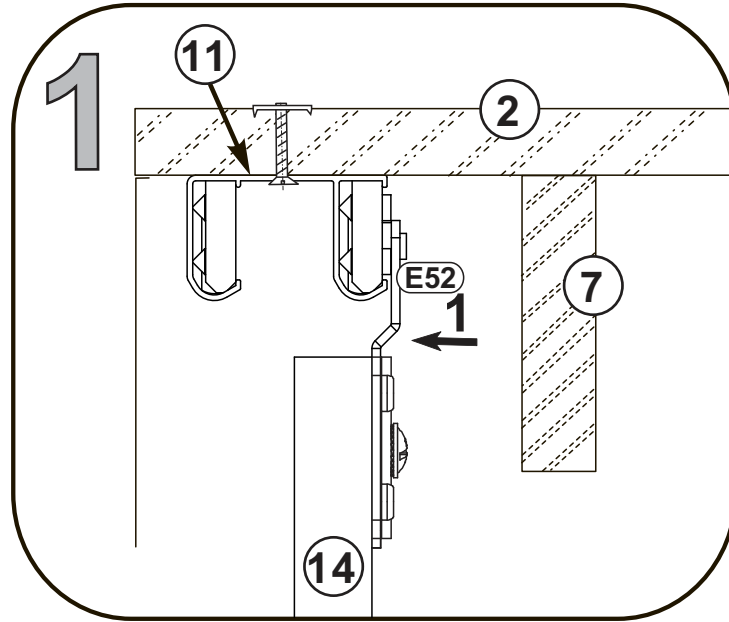
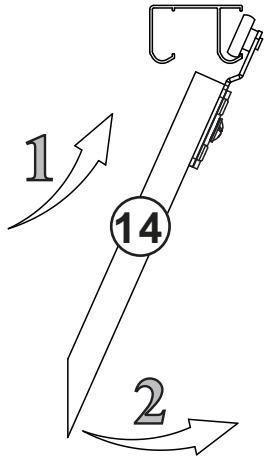
option "d" 



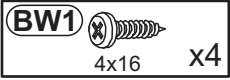
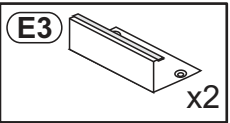
16



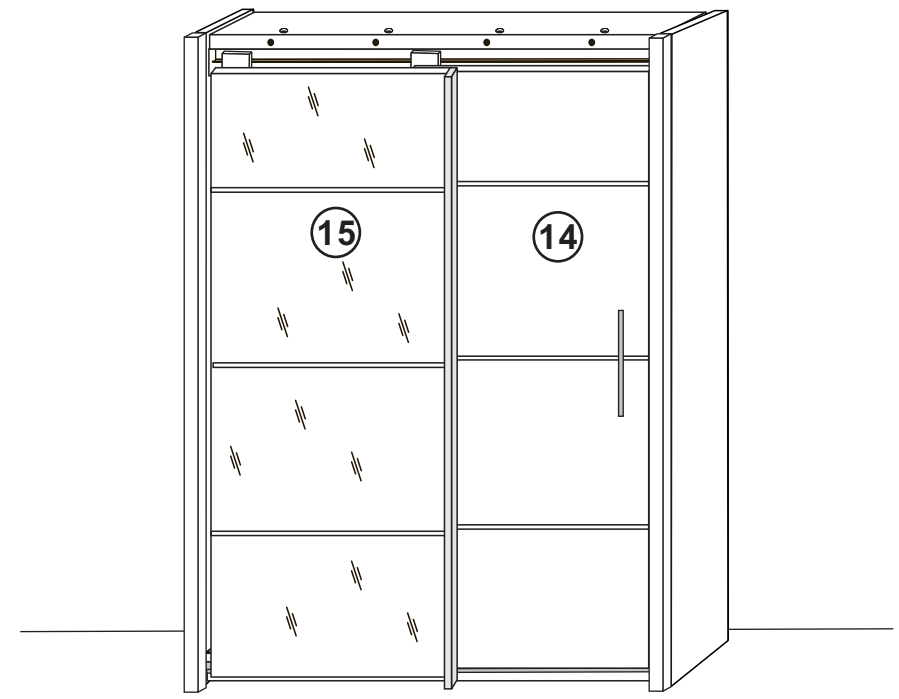
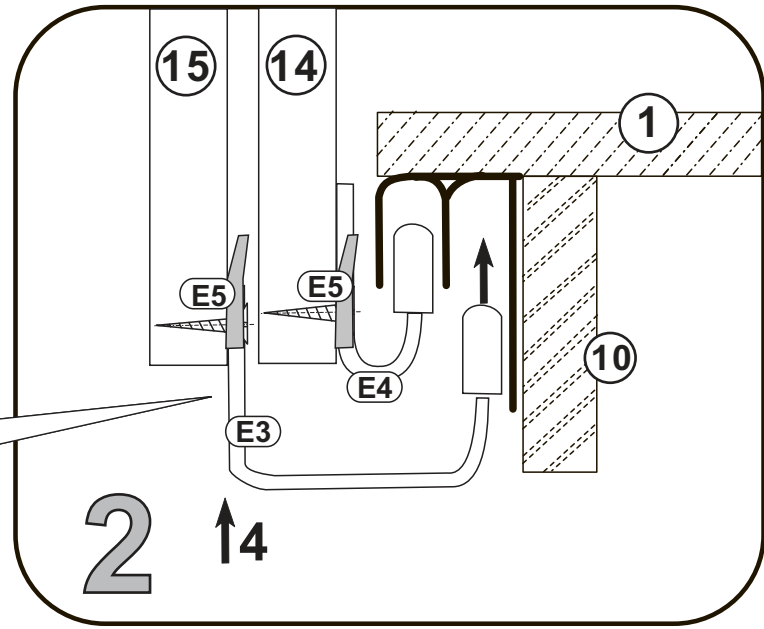
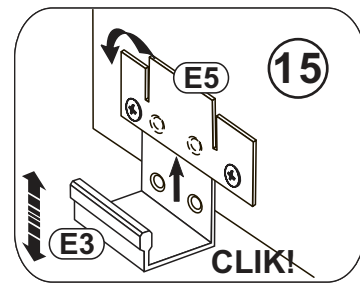
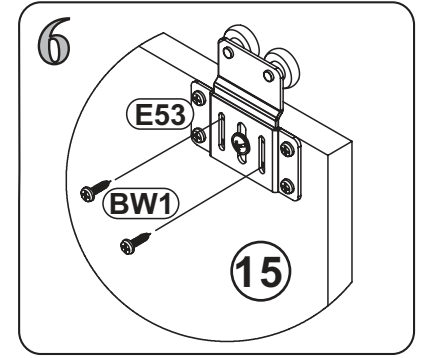
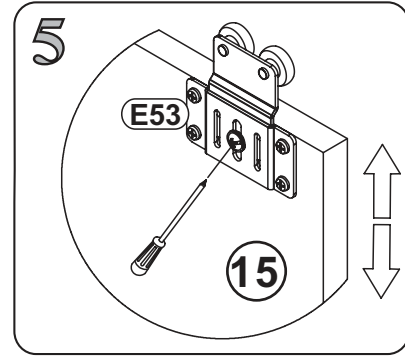
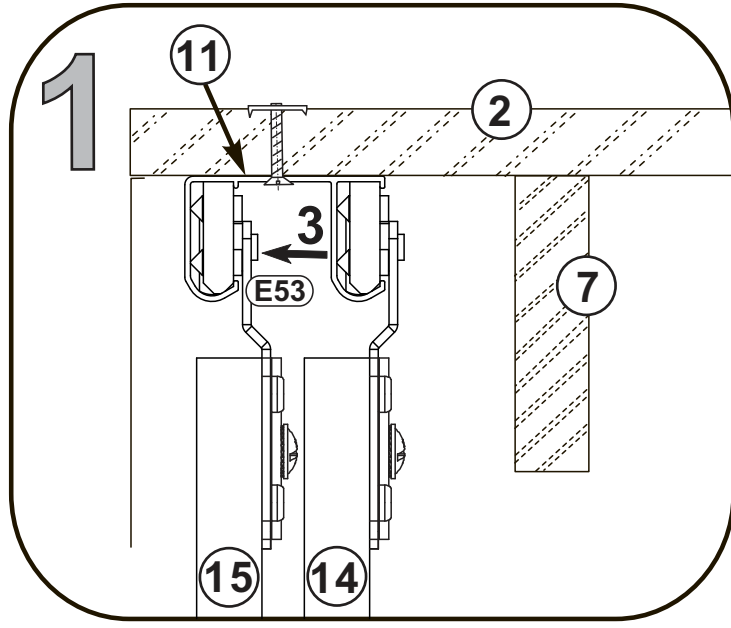
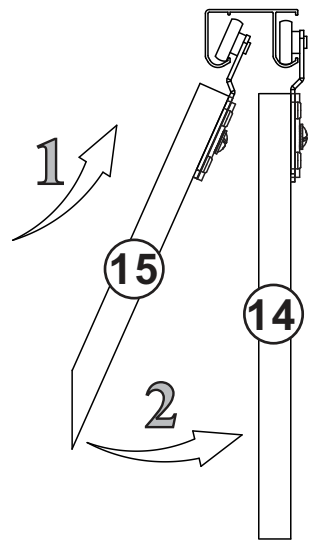
option "d"



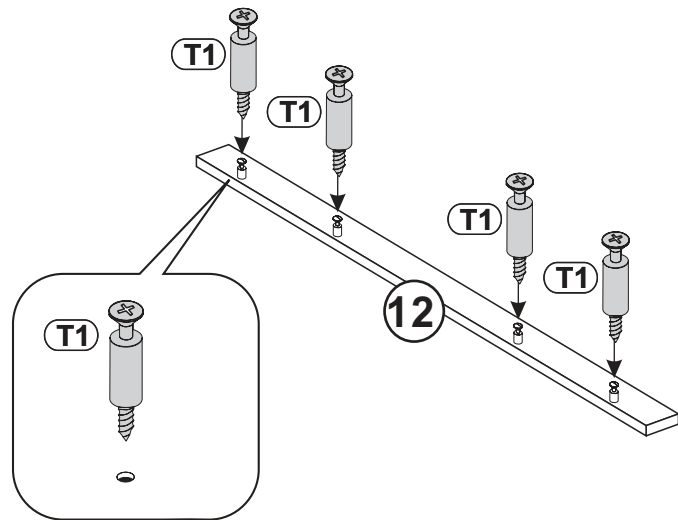
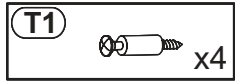
# 17



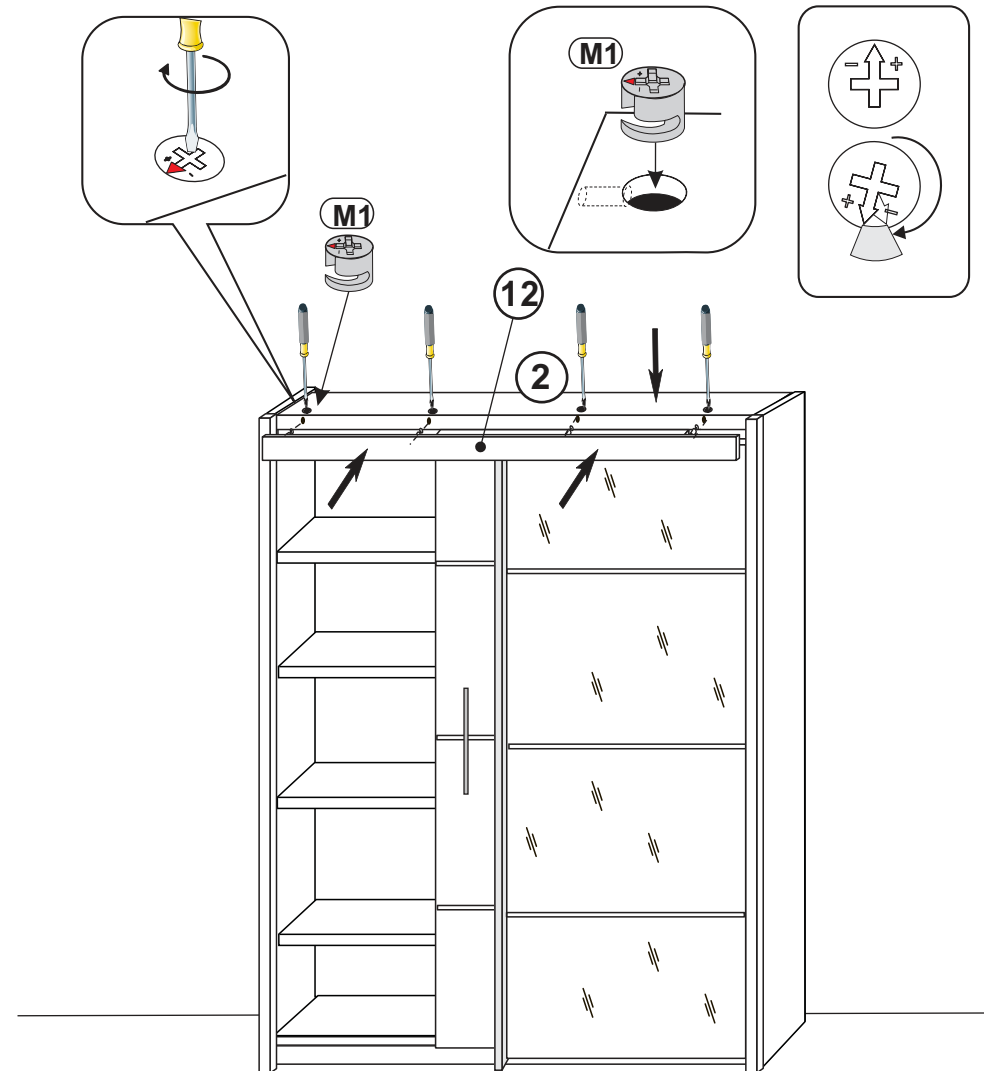
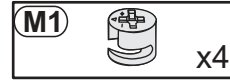
option "d" 



18



19



## 20

