

Fitting Instructions for Aluminium Patio doors

Please read the complete set of instructions before starting installation to familiarise yourself with the stages of construction.

These instructions cover the fitting of the above doors complete with outer frame cill & optional ventilator into a new or existing brickwork opening.
Instructions for 2, 3 and 4 Door Patios with assembled frames

The size of the opening should be:

Width: The external width of the frame + 10mm fitting tolerance.

Height: The external height of the frame + 30mm for the cill; 42mm for the optional ventilator & + 10mm fitting tolerance.

IMPORTANT INFORMATION.

- 1) Before proceeding it is advisable to check that your new door is the correct size to fit the intended aperture.
- 2) Do not remove your old frame until you have confirmed all the points below.
- 3) Carefully open the packs supplied and check the contents against the included list.
- 4) Do not destroy any of the packaging until you are certain that you have all the necessary parts for the installation.
- 5) Structural openings should be free of dust and debris and checked to make sure D.P.C is undamaged and in position.
- 6) Levelling and plumbing; it is important that you check the level and plumb when installing the frame.

Check List

Frame

- A. Door Frame with fixed and sliding doors fitted
- B. 150mm cill (if required)
- C. Head vent with end caps (if required)
- D. Accessory pack

Glass

- 1 Glass unit per sash wrapped separately

Accessory pack – Packed with door frame

- 1 or 2 sets of door handles (depending on style) c/w spindle and screws
- 1 x Pair of cill end caps (if required)
- 1 x 40/40 Cylinder c/w keys
- 1 x Fitting instructions
- 6 x cill and head vent fixing screws (if required)
- Glazing packers

Notes for guidance - Please read

- Patio doors are non-reversible and must be fitted as per the handing supplied.
- These doors are heavy - Always use good lifting practices.
- Fitting these doors plumb, level and square is of paramount importance.
- Maintain even gaps all around the frame.
- To conform to Building Regulations, if you're fitting the patio door into a room which has no opening windows or other form of ventilation, a 'Ventilator Kit' must be used.

The doors may not operate correctly if you do not:

- Fit the door frame square & level.
- Fit the door frame plumb in all planes.
- Keep even gaps around the frame.
- Tighten fixing screws against packers.

Tools & Equipment required

- Electric drill
- Masonry & high-speed drill bits
- Pozi headed screwdrivers
- Rubber mallet & hammer
- Measuring tape
- Spirit level (long) & Straight edge
- Fine toothed hacksaw
- Superglue
- Silicone sealant - (white / grey & clear)
- 10mm x 76mm & 10mm x 100mm Frame fixers
- Building equipment & materials for preparing brickwork opening & finishing products; exterior frame sealant & plaster etc.

Frame fixings are not supplied. Only use suitable frame fixings depending on your requirements, if in doubt consult an expert.

2 people required. At certain stages of the installation 2 people will be required. Remember the doors are heavy.

For future use and adjustment requirements please retain all assembly instructions. All dimensions given are in mm. Finally, please do not rush; take time to do the job properly.

Step 1 – Before you start

Before starting the installation of your new doors, and prior to removing the old door and frame, check all dimensions including the cill / optional ventilator to ensure they fit your brickwork opening correctly.

NOTE: There should be approximately 5mm clearance all around the frame.

Step 3 – Preparing the opening

Our standard Patio doors are available in the following widths:

Model 5 - 1490mm wide – 2 Doors – 1 Slider
Model 6 - 1790mm wide – 2 Doors – 1 Slider
Model 8 - 2390mm wide – 2 Doors – 1 Slider
Model 10 - 2990mm wide – 4 Doors – 2 Sliders
Model 12 - 3590mm wide – 4 Doors – 2 Sliders
Model 14 - 4190mm wide – 4 Doors – 2 Sliders

These are the external widths of the outer frame.

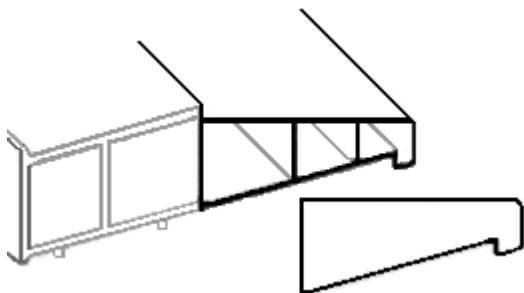
The brickwork opening should be approximately 10mm larger than the outer frame size, to allow for adjustment and square fixing of the frame. Few brickwork openings are already perfectly square.

Patio doors must be fitted under a lintel, which extends at least 150mm into the brickwork at both sides of the opening. This must be checked before the opening is prepared. If an existing lintel is not wide enough, it must be replaced.

Step 4 – Fitting the cill

All fittings and screws for fitting the cill and ventilator are included in the accessory pack. The only additional fixings required are frame fixers, for securing components to the brickwork. These are not supplied as they need to be suitable for the aperture into which the door is to be fitted. If fitting extenders, please make sure that the fixings are long enough to give a secure fixing.

Identify the cill (B) and cill end caps. Apply silicone sealant onto all contact areas then push the end caps onto the ends of the cill, see diagram 5.



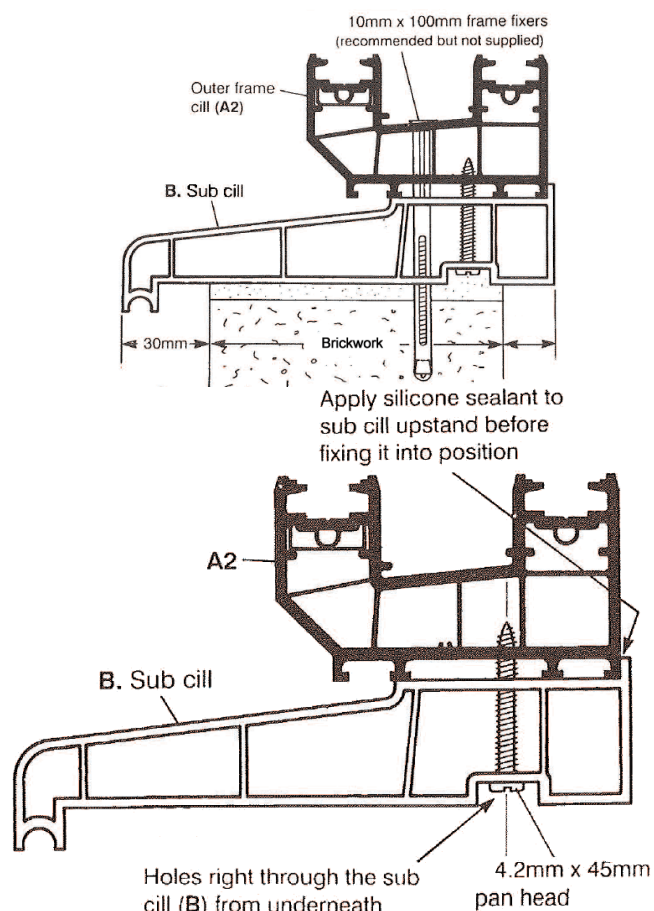
The cill should now be fixed to the outer frame base using the pan head self-tapping screws, see diagram. Note: The outer frame base is recognised by the drainage slots, which run from the inner channel to the sloping outer surface of the section. Also, **please check that the removable beads on the doors are fitted to the**

inside of the property, both for security and adequate drainage of the door.

Position the cill onto the outer frame base, centralise it over the length, then drill 3mm pilot holes completely through the cill into the outer frame base, penetrating the bottom surface of the outer frame only. Note: use a drill stop, set appropriately to achieve this.

The fixing hole positions should be approx. 150mm from each end, with the other two equally spaced between them. Holes should be drilled through the cill only, before inserting the screws.

Diagram 6



Apply silicone sealant to the cill up-stand before fixing it into position.

Step 5 - Fitting the optional vent kit

The optional vent can be fitted to the head of the door if required in the same way as the cill.

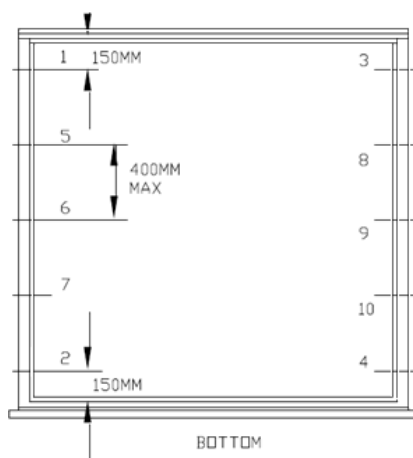
NOTE – The trickle vents and grilles are supplied in the tube packed within the door frame.

Please Read and understand the entire next section prior to fitting.

Step 6 - Fitting the outer frame

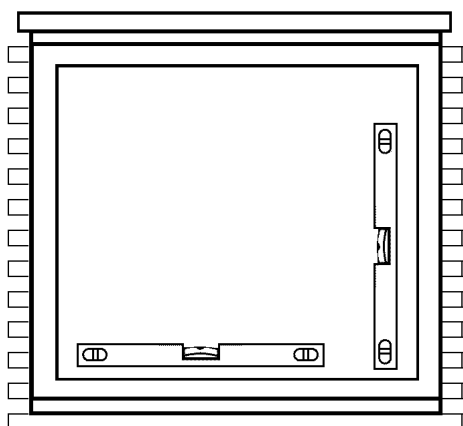
Ensure the base brickwork is flat and level. With the help of a partner, offer the assembled outer frame into the brickwork opening to check that it fits correctly and ensuring there is an equal gap all around the frame. Frame packers/wedges will be required during this phase (not supplied). Also check the cill is level along its overall length. (Maximum deviation is 2mm). Apply a generous bead of silicone across the bottom of the aperture to sit the base cill on and if necessary, maintain an overhang along the cill for water runoff to drain away.

Use a suitable size HSS drill bit for your fixings; to drill clearance holes through the centre of the outer frame cill channel, and down through the sub cill (B).



Using a spirit level, check that the base of the frame is level and the frame is standing perfectly upright, i.e. not leaning in or out of the room.

Pre-drill the holes **in the frame only** as indicated. These should be positioned 150mm from each corner with no more than 400mm between each fixing. You must ensure



you are lining up with brick not mortar.

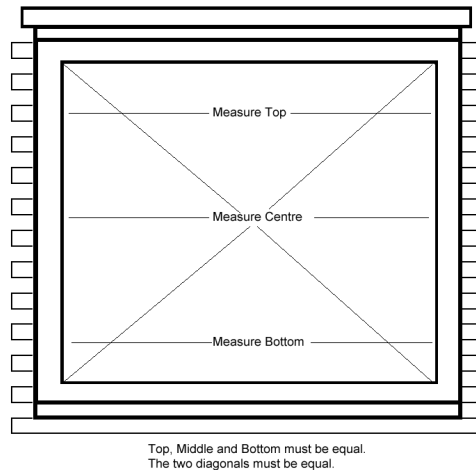
Fix the cill down first; making sure that it remains level and square and does not distort. **DO NOT OVERTIGHTEN.**

Carefully drill a suitable size hole into fixing point 1 through the pre-drilled holes in the outer frame using a

masonry drill. Using a suitable frame fixer (not supplied) tap through the frame into the brickwork then use a screwdriver to tighten.

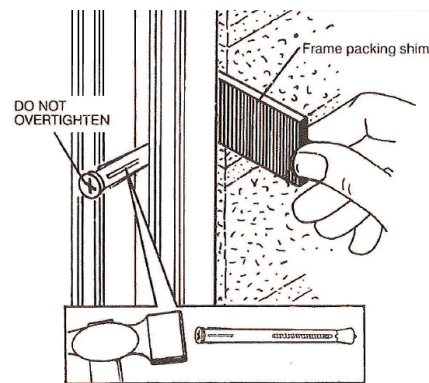
Check that the frame has not moved and is still plumb, level & square. Also check the diagonals are equal. Repeat this process for fixing points 2, 3 and 4 checking through each stage that the frame lines up. The frame should be secure, now complete fixing points 5 - 10.

Always make sure the frame does not distort when tightening the fixings.



CHECK The three width dimensions must be equal, and the diagonal ones must also be equal to each other

Use wedges where necessary to pack out the cill and frame until it is completely level and plumb. Use a long straight edge and spirit level to check this after every fixing made, adjusting the thickness of the wedges as required.

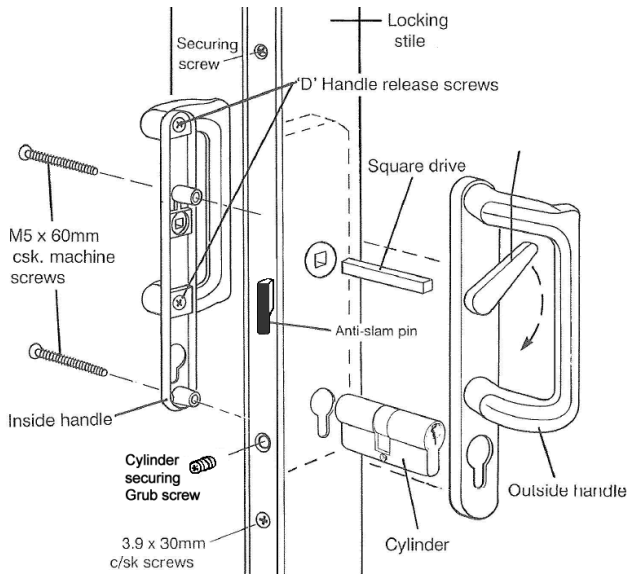


It is essential that the cill and outer frame is fitted perfectly level, plumb and square within the opening. Failure to follow this instruction will seriously affect the doors performance.

Remember, the success of the installation relies upon the perfectly square, level and plumb installation of the outer frame. The gaps around the frame should be filled with frame sealant at the end of the installation. Clean out any debris from the screw fixing channel around the inside of the outer frame.

Access is obtained to the adjusting screws through the holes near the bottom of the door stiles. Turn the screws

Step 7 – Fitting cylinder lock & handles



Please note handle design may differ to that shown above.

Fit the lock cylinder through the slot in the frame and the keyhole in the lock body.

Please note that the cylinder lock needs to be secured in place using the screw provided.

The fixing screws must always be fitted to the inside of the property. If you have more than one sliding door, the secondary handle will need to be fitted in the same way. Locate the square drive through the lock assembly.

PLEASE NOTE – If the frame has not been fitted square and plumb, the locks will not engage preventing the correct operation of the lock. If this is the case and the lock works fine when testing in the open position, the frame will need to be rechecked.

Step 8 – Fitting the trickle vents

The trickle vents can be fitted to the overhead canopy (if required). The 'gill' goes to the outside and the openable and closable part to the inside to allow the airflow to be adjusted.

Note: for ease of access, the vent controls can be fitted after the interior reveal has been plastered / finished.

Step 9 – Fitting the glass

Once the door has been fitted, the door will need to be glazed. Unclip the beads in the door sash and **mark up each one with the position into which they need to be replaced**. This is important to give an exact fit. Use the additional packers to hold the glass in place (supplied in the accessory pack). The glass can then be fitted in to

place, and the beads replaced. Replace the beads in the order of top and bottom first, then the sides.

The wedge gasket can now be added to the beads between the bead and the glass.

Lastly, check to make sure that the door operates correctly.

Maintenance Guidelines. - These guidelines must be adhered to or you will invalidate your guarantee.

a) Products should be washed down periodically with a non-abrasive cleaner and warm water.

b) To maintain the mechanism and rollers ensure they are always kept clear of obstruction like builders rubble, plaster residue and other objects.

All moving parts are to be periodically lubricated using a light, acid free lubricant to ensure continual ease of operation.

Failure to fit the doors in line with these guidelines will invalidate the manufacturers guarantee.