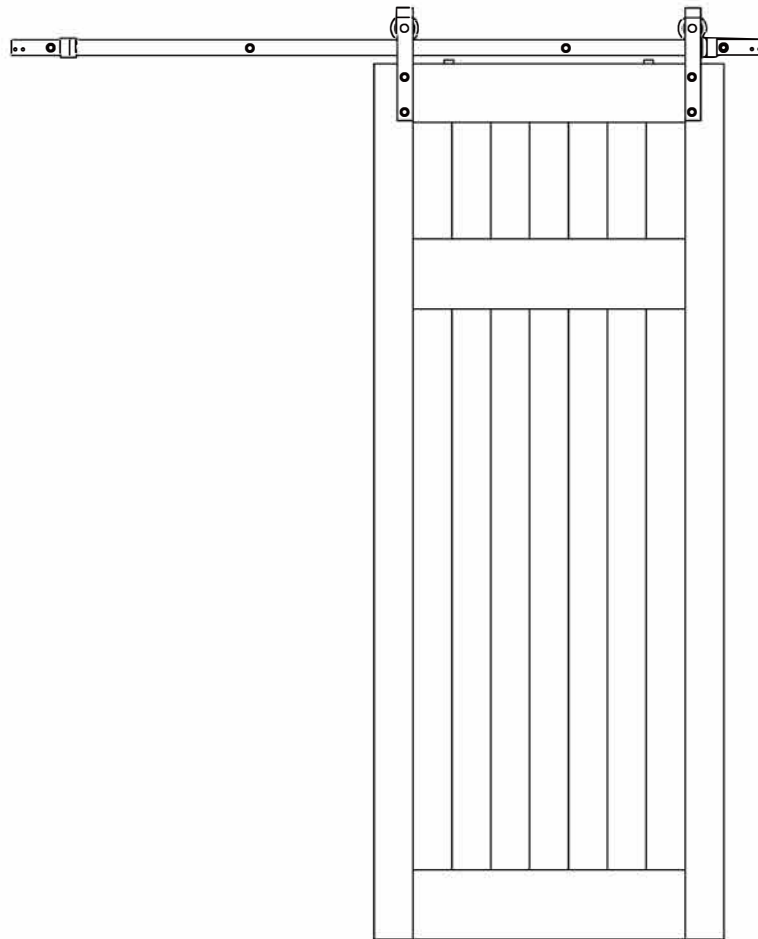










Green & Taylor

Barn Door Hardware

Installation Manual

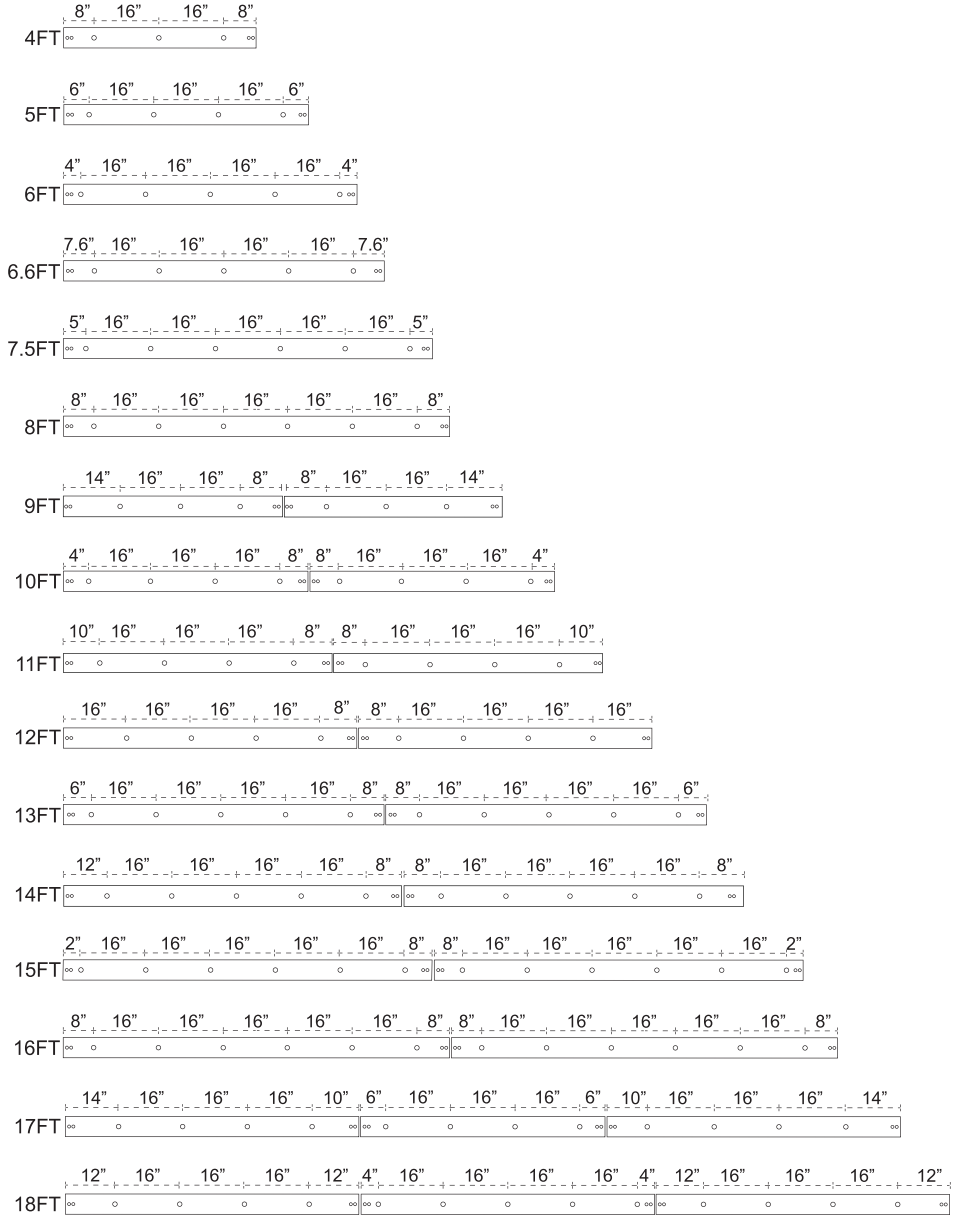


Track Accessories

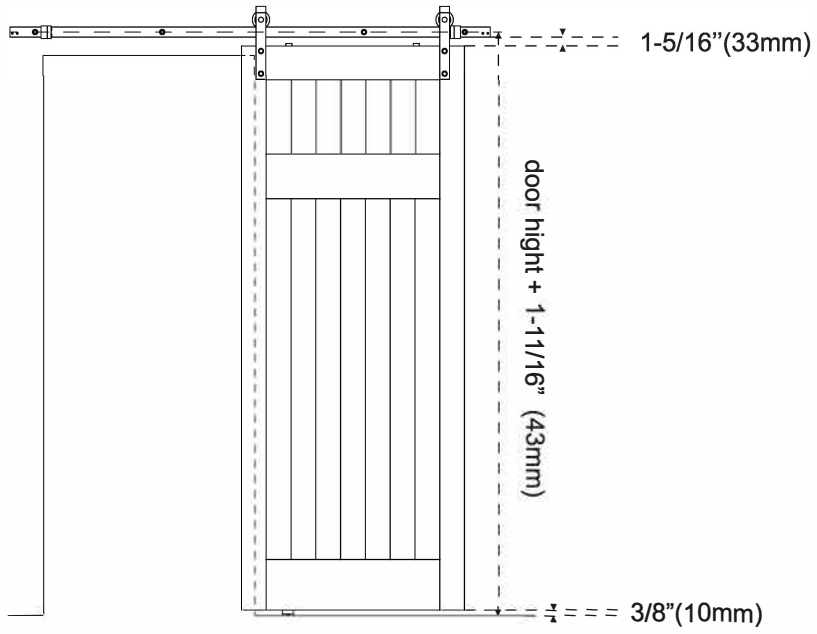
Single Door Hardware Kit Includes																	
Part Name	picture	4FT	5FT	6FT	6.6FT	7.5FT	8FT	9FT	10FT	11FT	12FT	13FT	14FT	15FT	16FT	17FT	18FT
Flat Track		1	1	1	1	1	1	2	2	2	2	2	2	2	2	3	3
Steel Hanger		2	2	2	2	2	2	2	2	2	2	2	2	2	2	2	2
Anti-jump Pad		2	2	2	2	2	2	2	2	2	2	2	2	2	2	2	2
Floor guide		1	1	1	1	1	1	1	1	1	1	1	1	1	1	1	1
Door Stopper		2	2	2	2	2	2	2	2	2	2	2	2	2	2	2	2
Lag Bolt		3	4	5	5	6	6	6	8	8	8	10	10	12	12	12	13
Spacer		3	4	5	5	6	6	6	8	8	8	10	10	12	12	12	13
Junction Plate		0	0	0	0	0	0	1	1	1	1	1	1	1	1	2	2

① Check the quantity of all the accessories prior to beginning installation. If there are any discrepancies, please contact your retailer.

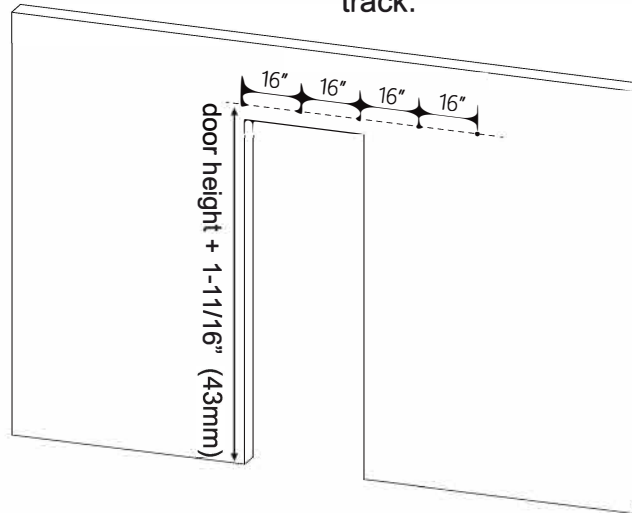
Chart: Track Junction



※Hardware Installation
Main Installation Dimension

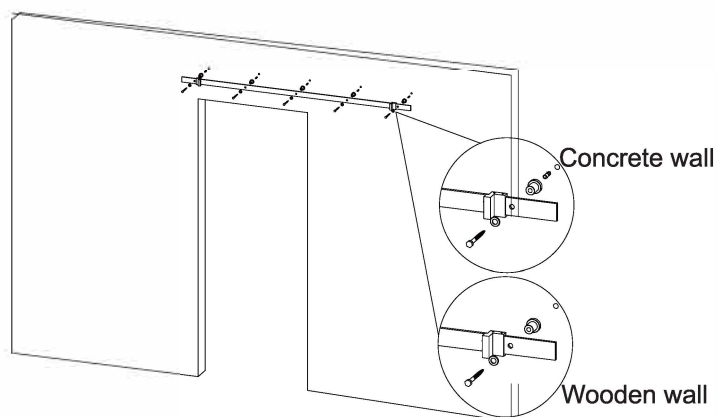


- Step 2:** ① Measure the overall height for the center line of the track, the track should be installed at door height + 43mm above the floor.
- ② Mark out all the holes' position according to your track.

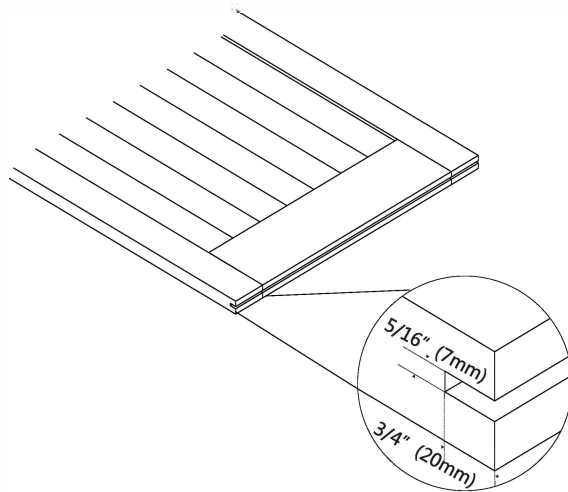


Step 3: Drill holes and install your track

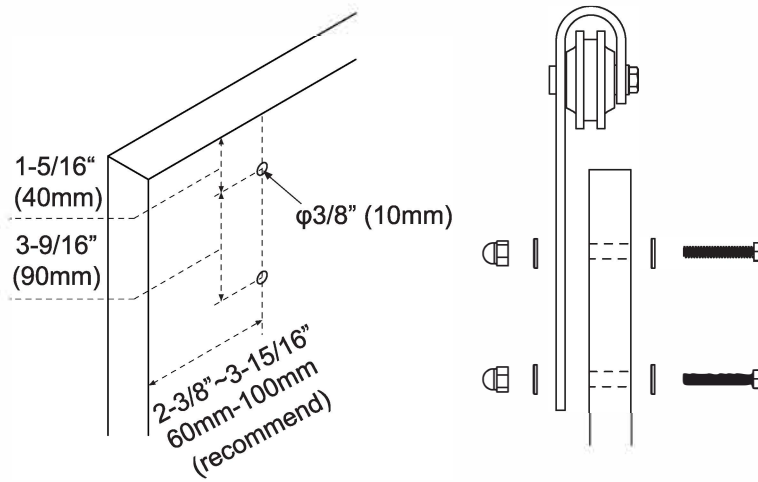
- ① Concrete wall: Drill out the holes by using a drill with 3/8" (10mm) drill bit.
- ② Wooden wall: Drill out the holes by using a drill with 1/4" (6mm) drill bit.
- ③ Install the track refer to the below image.



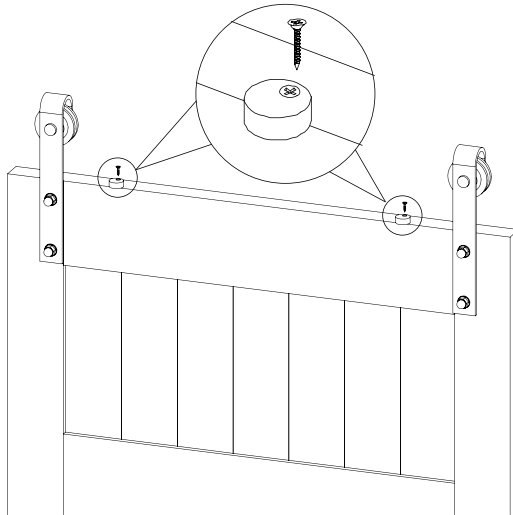
Step 4: Router a 7mm wide x 20mm deep centered channel at the bottom of the door.



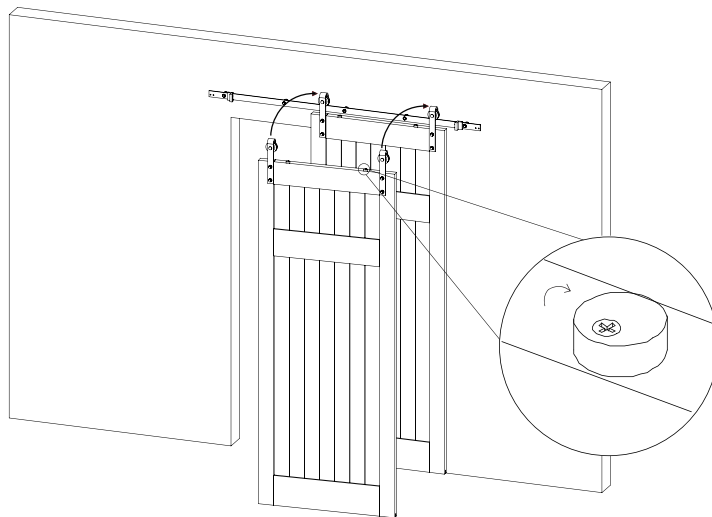
Step 5: Install hangers on your door.



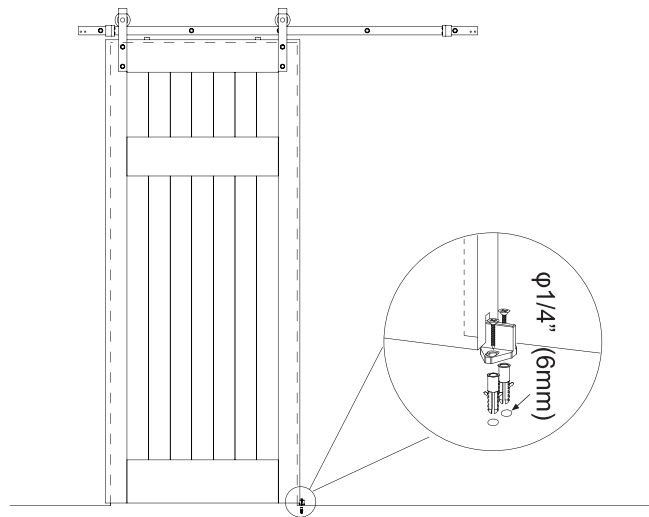
Step 6: Install anti-jump pad. As the picture shows, the screw is near the edge of your door.



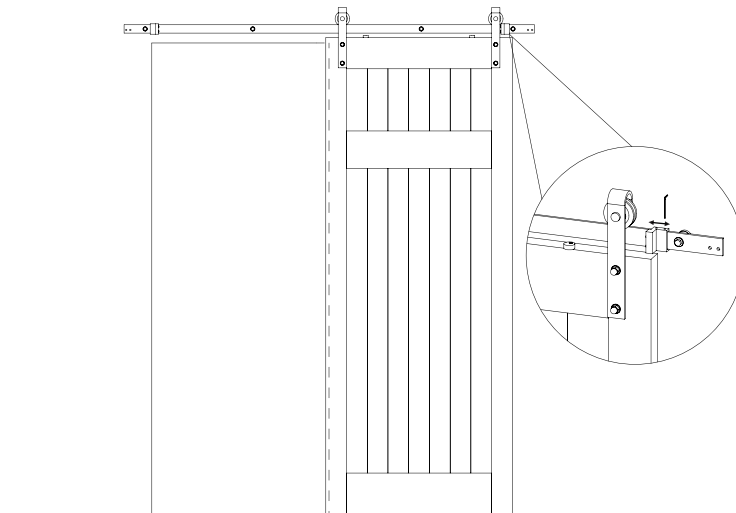
Step 7: Put your hangers on the track, then twist the anti-jump pad facing to your wall.



Step 8: Close your door, put the floor guide half out of the door, then fix it on the floor.



Step 9: Adjust and fix stoppers to make the door not detach from the floor guide whether the door on close or open position.





WARNING

- Failure to wear proper safety gear (i.e., eye protection) may result in serious injury or death. Always wear proper safety gear before using power tools.
- Improper operation of power tools may result in loss of control, serious injury or death. Always ensure you have complete control of the power tool and the work area is free of hazards before operating a power tool.
- Lack of secure clamping of the door may result in unexpected movement of the door, loss of power tool control and serious injury or death. Always securely clamp the door in place before cutting, or drilling, the door.
- Lack of, or improperly installed Anti-jump Disc may result in the door coming off the track and cause serious injury or death. Installation of Anti-jump Discs are required for safe operation of this hardware. Installed properly, these discs will keep the door securely attached to the track.



CAUTION

- Mishandling of heavy objects (i.e., doors) may cause a loss of balance and serious injury. Always be sure you have a secure hold on the object and are balanced before moving the object. Always wear safety shoes when lifting heavy objects.
- Getting body parts (i.e., hair, fingers) caught in moving parts may cause pinching and serious injury. Do not put fingers in parts that may move and always remove or contain anything on your body that may become entangled with a moving part.
- Closing sliding doors with your hand on the end of the door may result in your hand, or fingers, getting caught between the door and other solid objects (i.e., another door, molding) causing serious injury. Always use the door handle to close doors.

Usage Statement:

Use of excessive force when opening, and closing, the door(s) may result in damage to the hardware. Always hold the handle and gently open and close the door(s).

Warranty Statement:

10 year warranty against manufacturing defects, providing installation has been carried out as per this manual.