





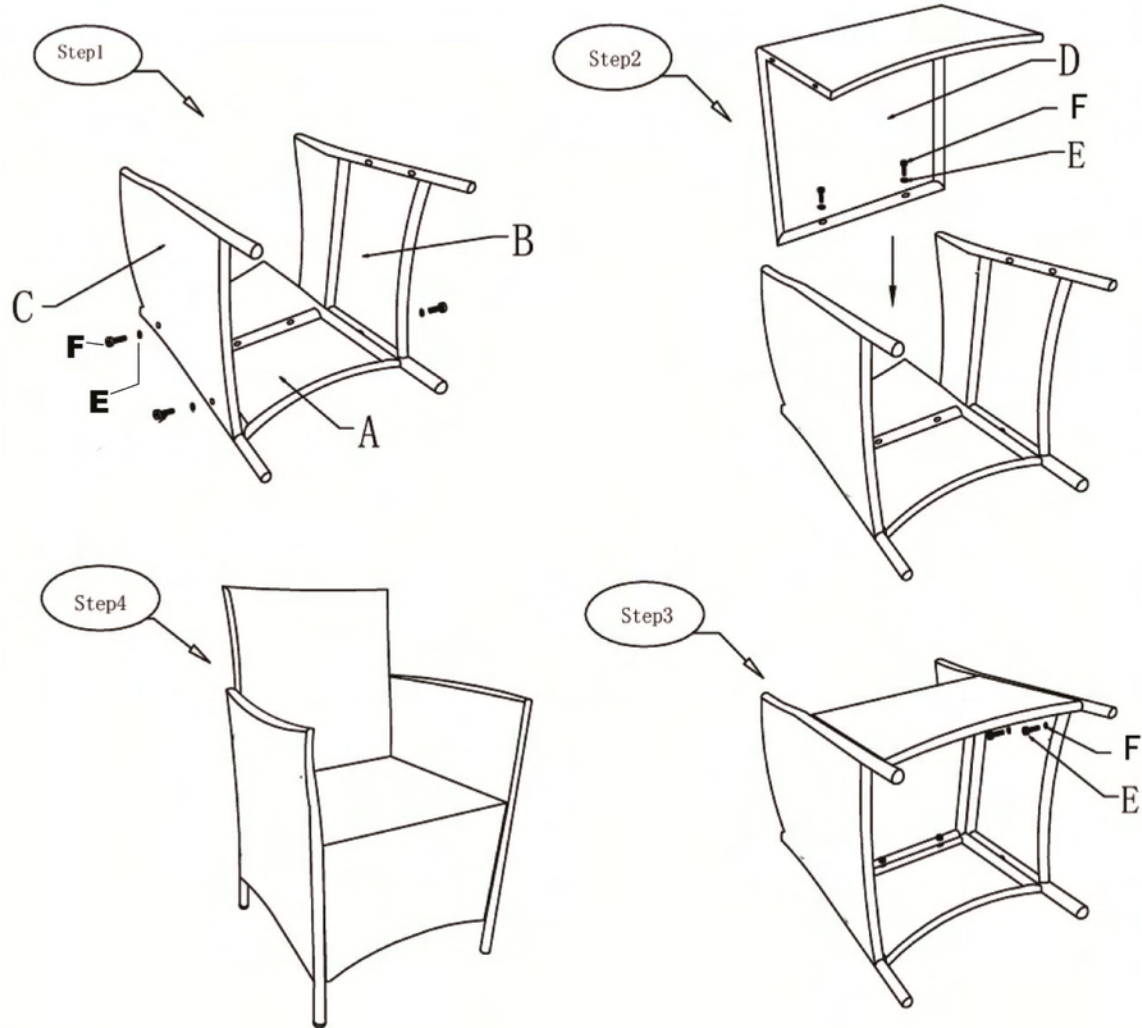








No.	PARTS	QTY PCS
A		1
B		1
C		1
D		1
E		10
F	 M6x30	10

CHAIR ASSEMBLY

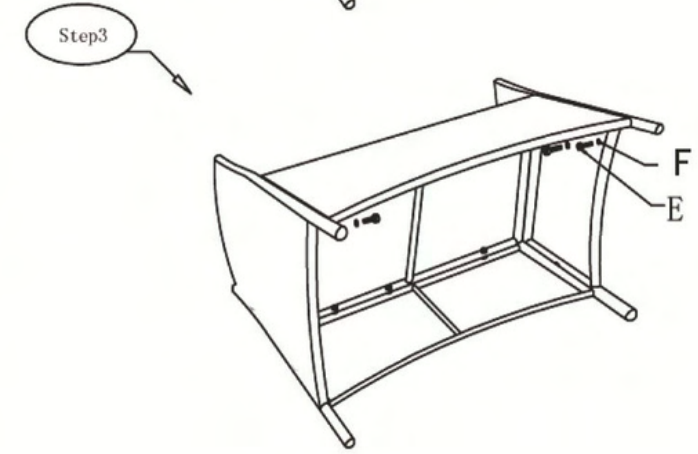
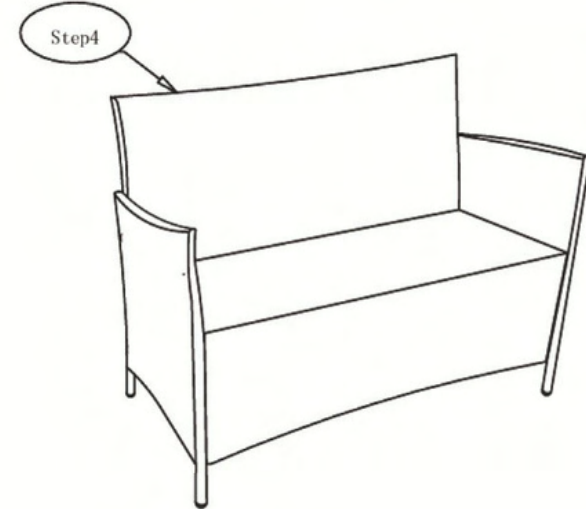
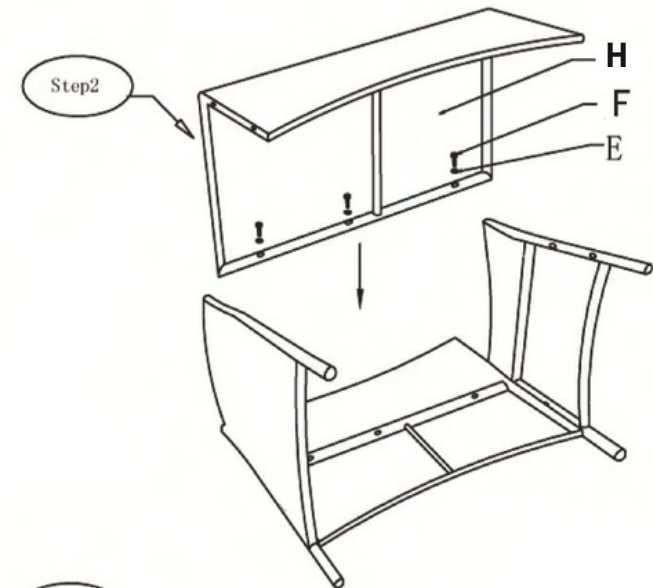
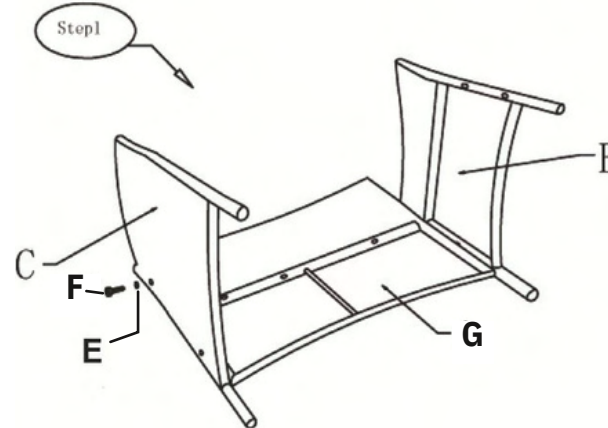


Assembly Tip:

First fit all screws loosely in each chair/sofa/table parts. Once all parts have been put together then slowly tighten all screws. We recommend two persons working together to assemble the set.

No..	PARTS	QTY PCS
G		1
B		1
C		1
H		1
E		11
F	 M6x30	11

SOFA ASSEMBLY









Assembly Tip:

First fit all screws loosely in each chair/sofa/table parts. Once all parts have been put together then slowly tighten all screws. We recommend two persons working together to assemble the set.

Madrid Rattan Set Assembly Instructions

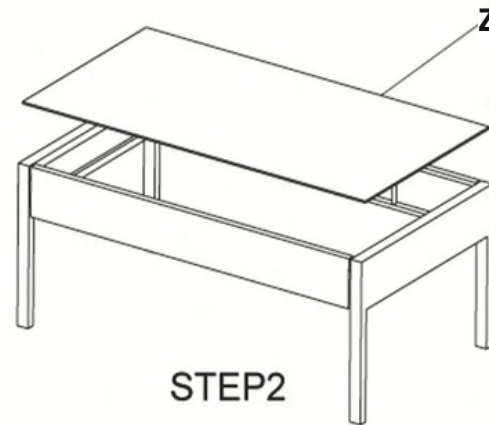
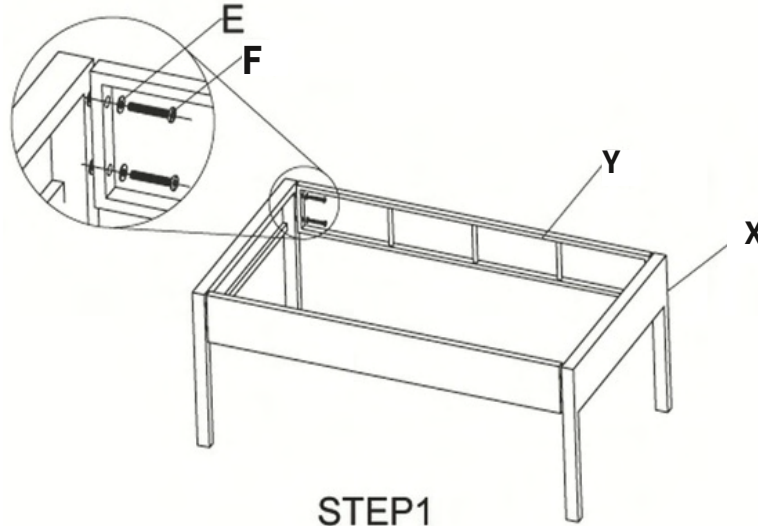
Model: 85200/85201/852002

No.	PARTS	QTY PCS
X		2
Y		2
Z		1
E		8
F	 M6*30	8
K		1

Assembly Tip:

First fit all screws loosely in each chair/sofa/table parts. Once all parts have been put together then slowly tighten all screws. We recommend two persons working together to assemble the set.

TABLE ASSEMBLY



Maintenance Instructions

- After completing assembly, we recommend applying Anti Rust Spray such as Hammerite on bolts and connecting points.
- Please clean and maintain the rattan furniture with soft damp cloth or sponge to remove any dirt or residue.
- Try to keep an Outdoor furniture cover on your set when not in use. Please do not leave cushions outside without any protection.
- Never use abrasive cleaners on furniture.
- For Customer support or parts enquiries please email: Support@evre.co.uk