

EN: Pictures in this manual are for reference only. Please refer to the actual product.

FR: Ce produit est sujet au produit réel, l'image est seulement pour la référence.

ES: Las imágenes de este manual son solo para referencia. Consulte el producto real.

DE: Die Bilder in diesem Handbuch dienen nur als Referenz. Bitte beziehen Sie sich auf das tatsächliche Gerät.

IT: Le immagini contenute nel manuale sono solo di riferimento. Si prega di fare riferimento al prodotto reale.

PT: As fotografias deste manual servem apenas como referência. Consulte por favor o produto real.

EN_IMPORTANT, RETAIN FOR FUTURE REFERENCE: READ CAREFULLY.

FR_IMPORTANT: A LIRE ATTENTIVEMENT ET A CONSERVER POUR VOUS Y REFRERER ULTERIEUREMENT

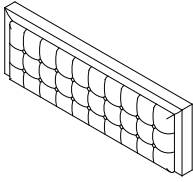

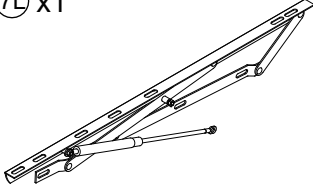
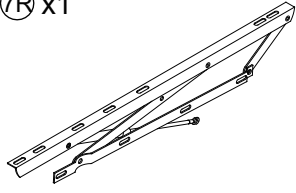
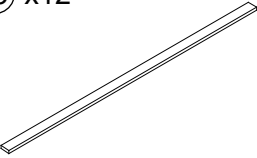

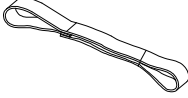
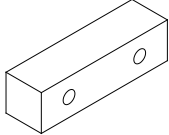
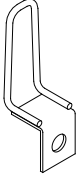
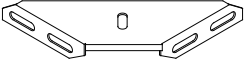
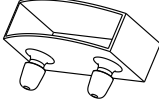
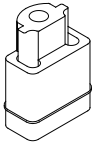
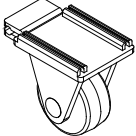
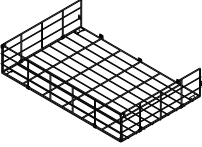
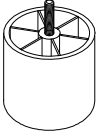
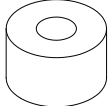

ES_IMPORTANTE, LEA DETENIDAMENTE Y GUARDE PARA FUTURAS REFERENCIAS.

PT_IMPORTANTE, GUARDE PARA FUTURA REFERÊNCIA, LEIA ATENTAMENTE.

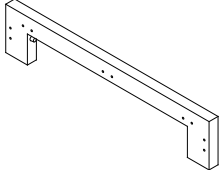
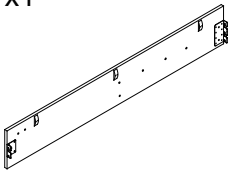
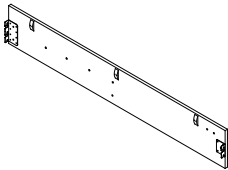
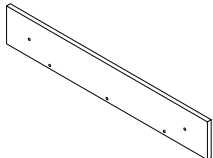
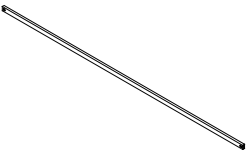
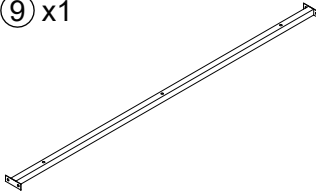
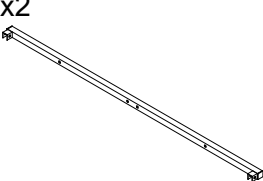
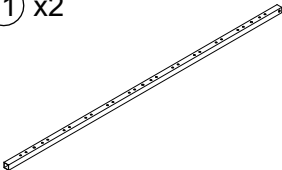
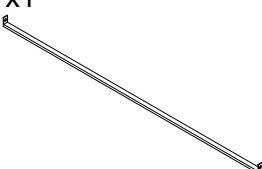
DE_WICHTIG! SORFGFÄLTIG LESEN UND FÜR SPÄTERES NACHSCHLAGEN AUFBEWAHREN.

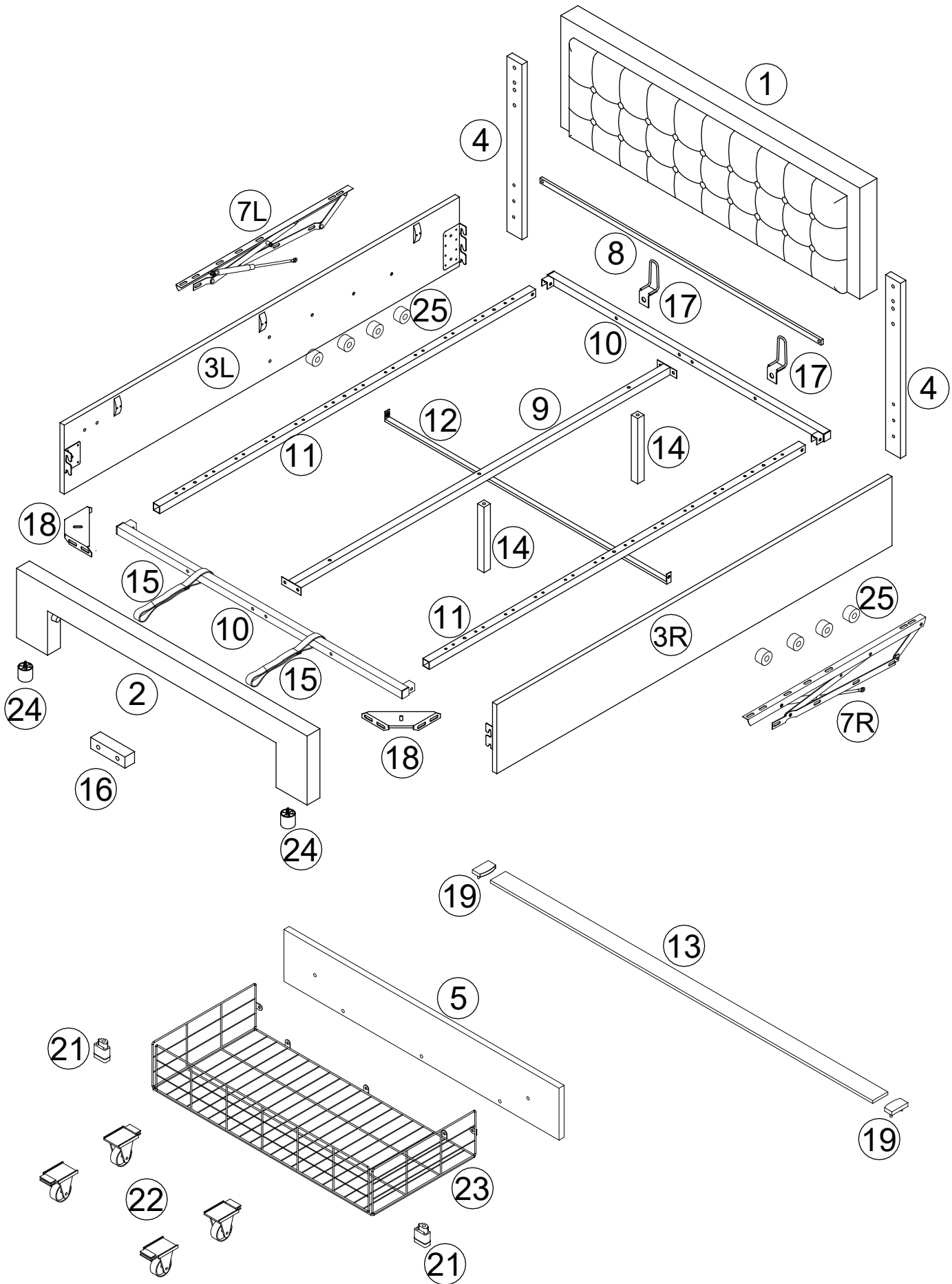
IT_IMPORTANTE, LEGGERE E CONSERVARE QUESTO MANUALE D'ISTRUZIONE PER UN USO FUTURO.

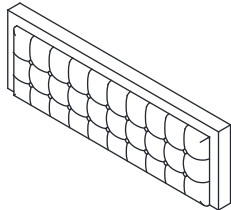
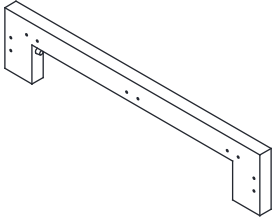
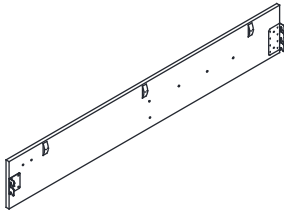
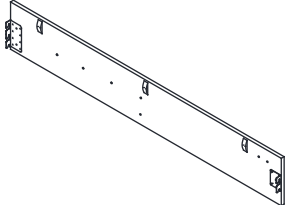

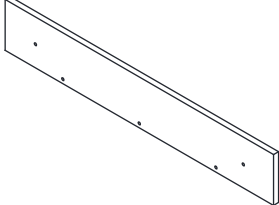
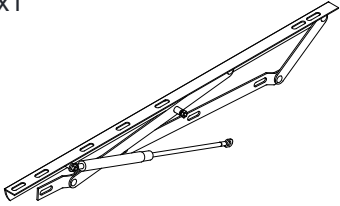
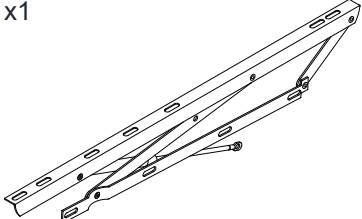
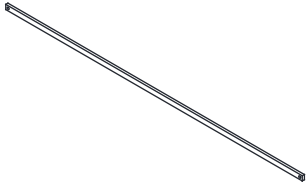
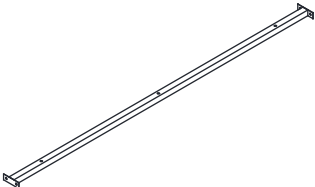
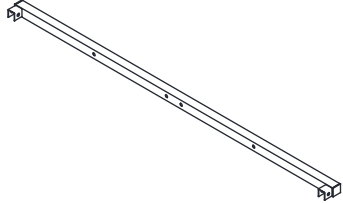
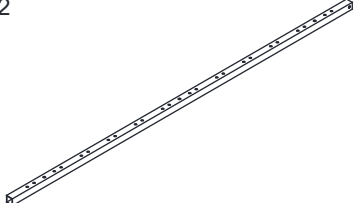
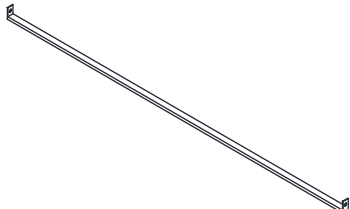
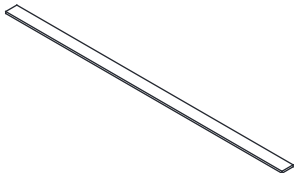

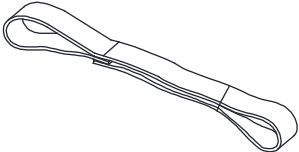
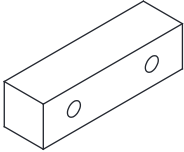


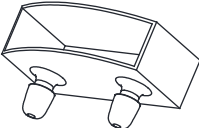
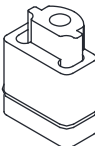
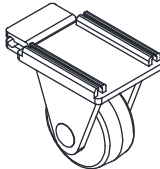
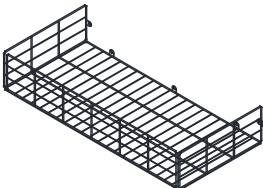

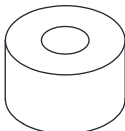
BOX-1/2

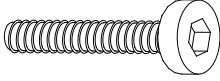
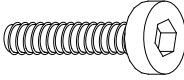
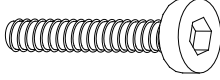
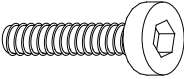
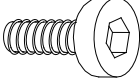
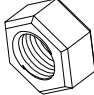
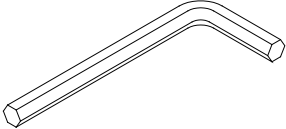
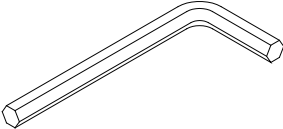
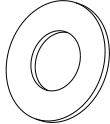
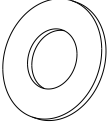
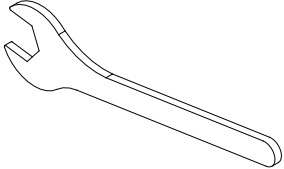
<p>① x1</p> 	<p>④ x2</p> 	<p>⑦L x1</p> 	<p>⑦R x1</p> 
<p>⑬ x12</p> 	<p>⑭ x2</p> 	<p>⑮ x2</p> 	<p>⑯ x1</p> 
<p>⑰ x2</p> 	<p>⑱ x2</p> 	<p>⑲ x24</p> 	<p>⑳ x2</p> 
<p>㉒ x4</p> 	<p>㉓ x1</p> 	<p>㉔ x2</p> 	<p>㉕ x8</p> 
 <p>Hardware Kit</p>			

BOX-2/2

<p>② x1</p> 	<p>③L x1</p> 	<p>③R x1</p> 	<p>⑤ x1</p> 
<p>⑧ x1</p> 	<p>⑨ x1</p> 	<p>⑩ x2</p> 	<p>⑪ x2</p> 
<p>⑫ x1</p> 			



① x1 	② x1 	③L x1 	
③R x1 	④ x2 	⑤ x1 	
⑦L x1 	⑦R x1 	⑧ x1 	
⑨ x1 	⑩ x2 	⑪ x2 	
⑫ x1 	⑬ x12 	⑭ x2 	
⑮ x2 	⑯ x1 	⑰ x2 	
⑱ x2 	⑲ x24 	⑳ x2 	㉑ x4 
㉒ x1 	㉓ x2 	㉔ x8 	

<p>A x 20 +1 (spare)</p>  <p>5/16X45mm</p>	<p>B x 10 +1 (spare)</p>  <p>5/16X30mm</p>	<p>C x 2</p>  <p>1/4X45mm</p>
<p>D x 8 +1 (spare)</p>  <p>1/4X30mm</p>	<p>E x 15 +1 (spare)</p>  <p>1/4X15mm</p>	<p>F x 14 +1 (spare)</p>  <p>5/16</p>
<p>G x 1</p>  <p>5/16</p>	<p>H x 1</p>  <p>1/4</p>	<p>I x 44 +1 (spare)</p>  <p>Ø 19X5/16</p>
<p>J x 25 +1 (spare)</p>  <p>Ø 16X1/4</p>	<p>K x 1</p> 	

C X2



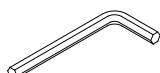
1/4x45mm

J X2

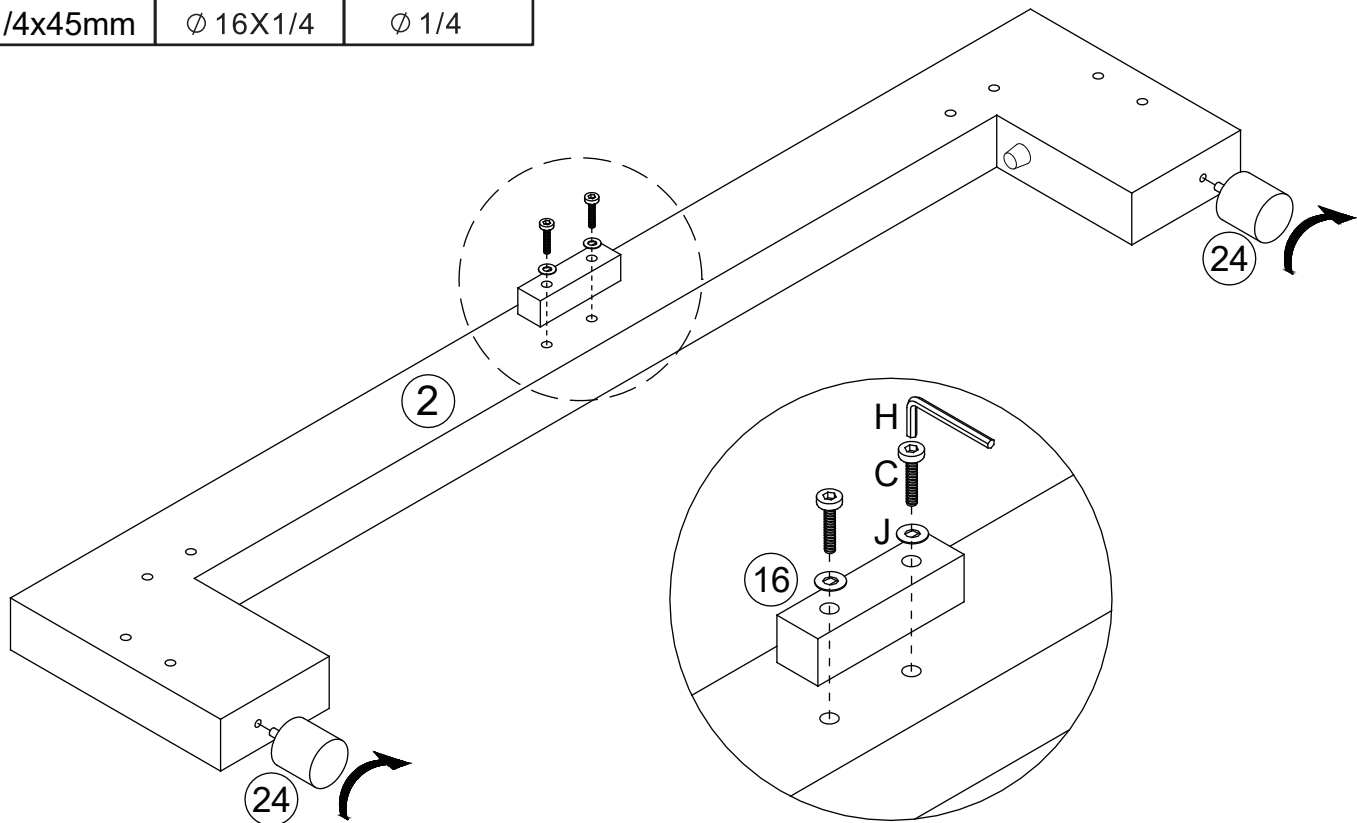


Ø 16X1/4

H X1



Ø 1/4



A X4



5/16x45mm

I X4

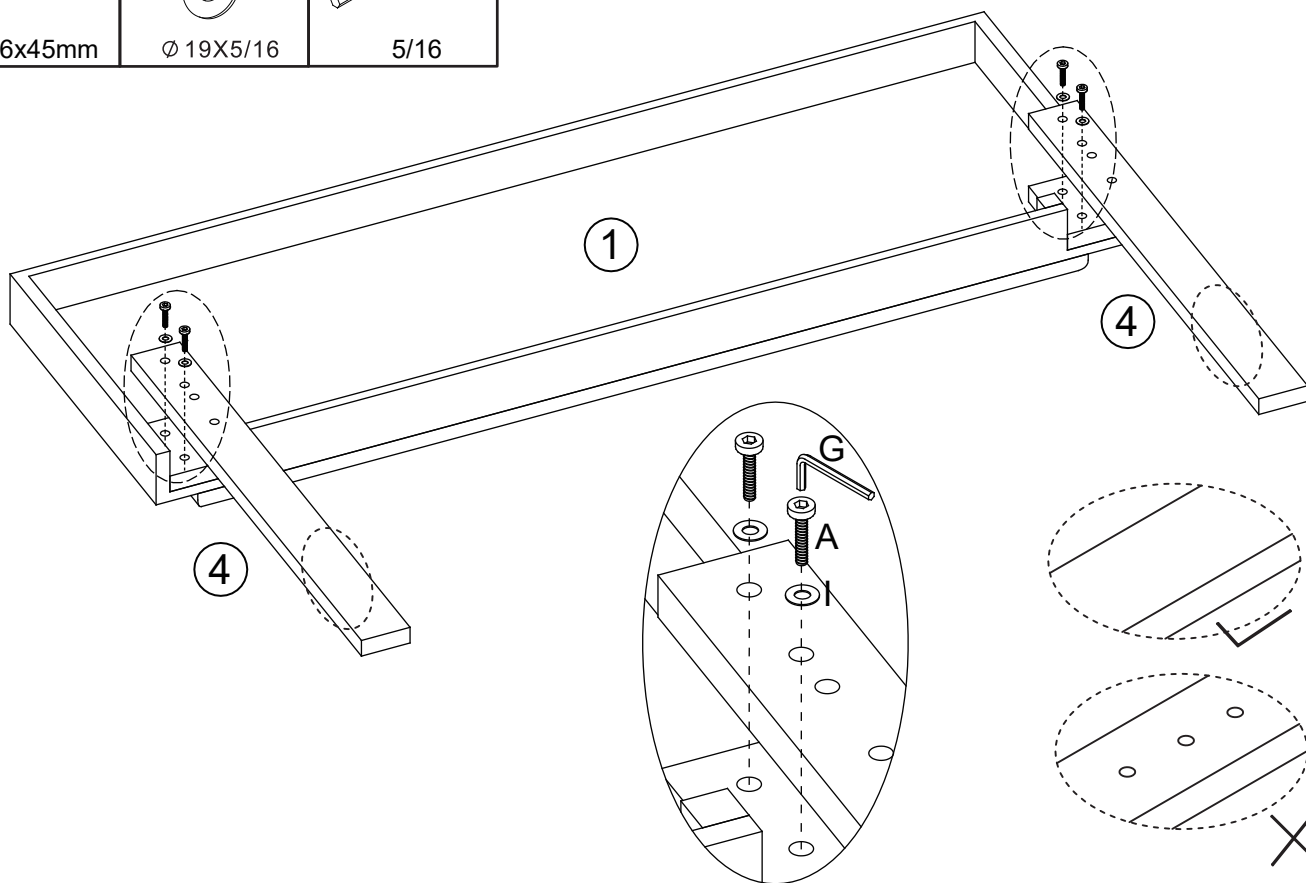


Ø 19X5/16

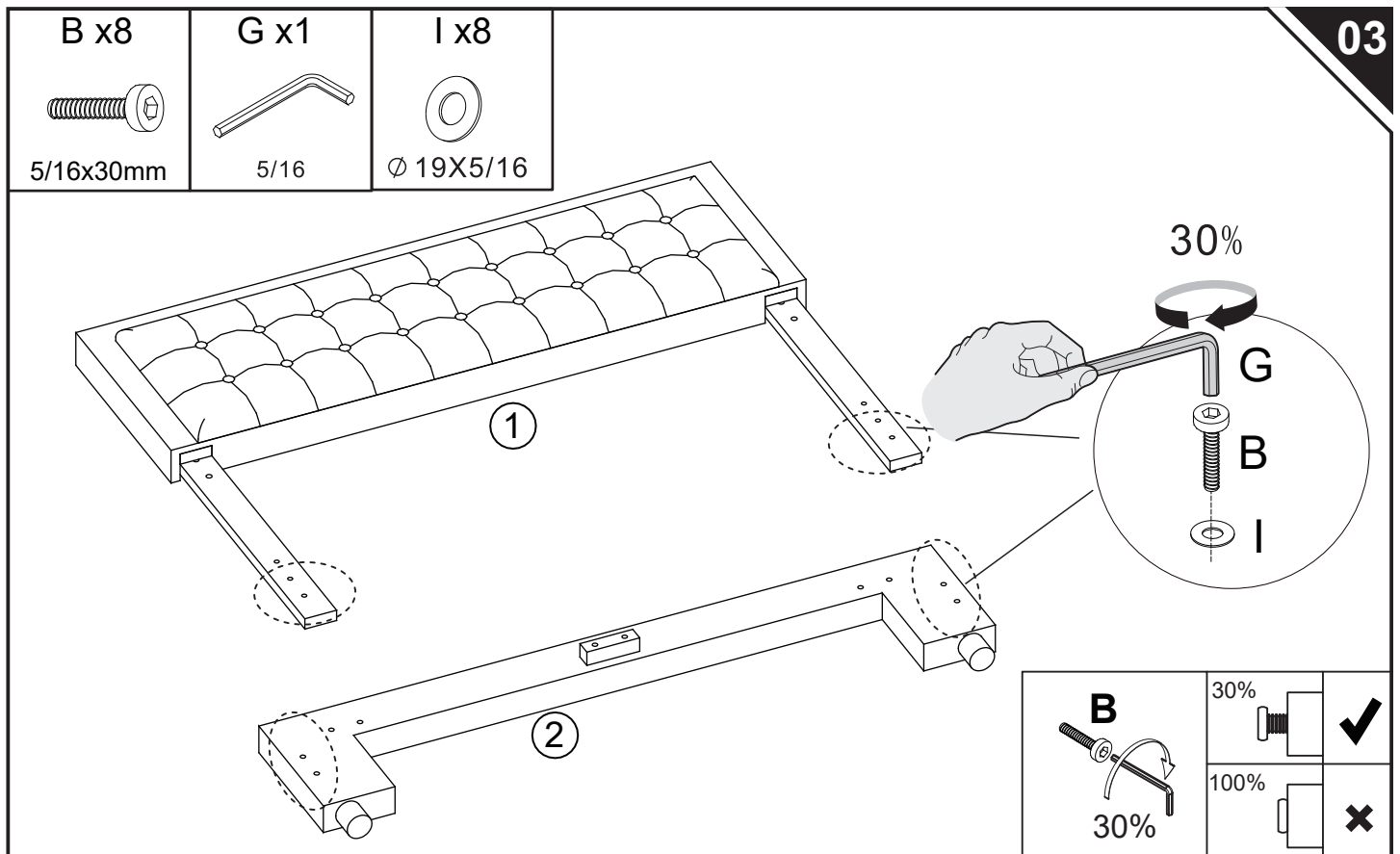
G X1



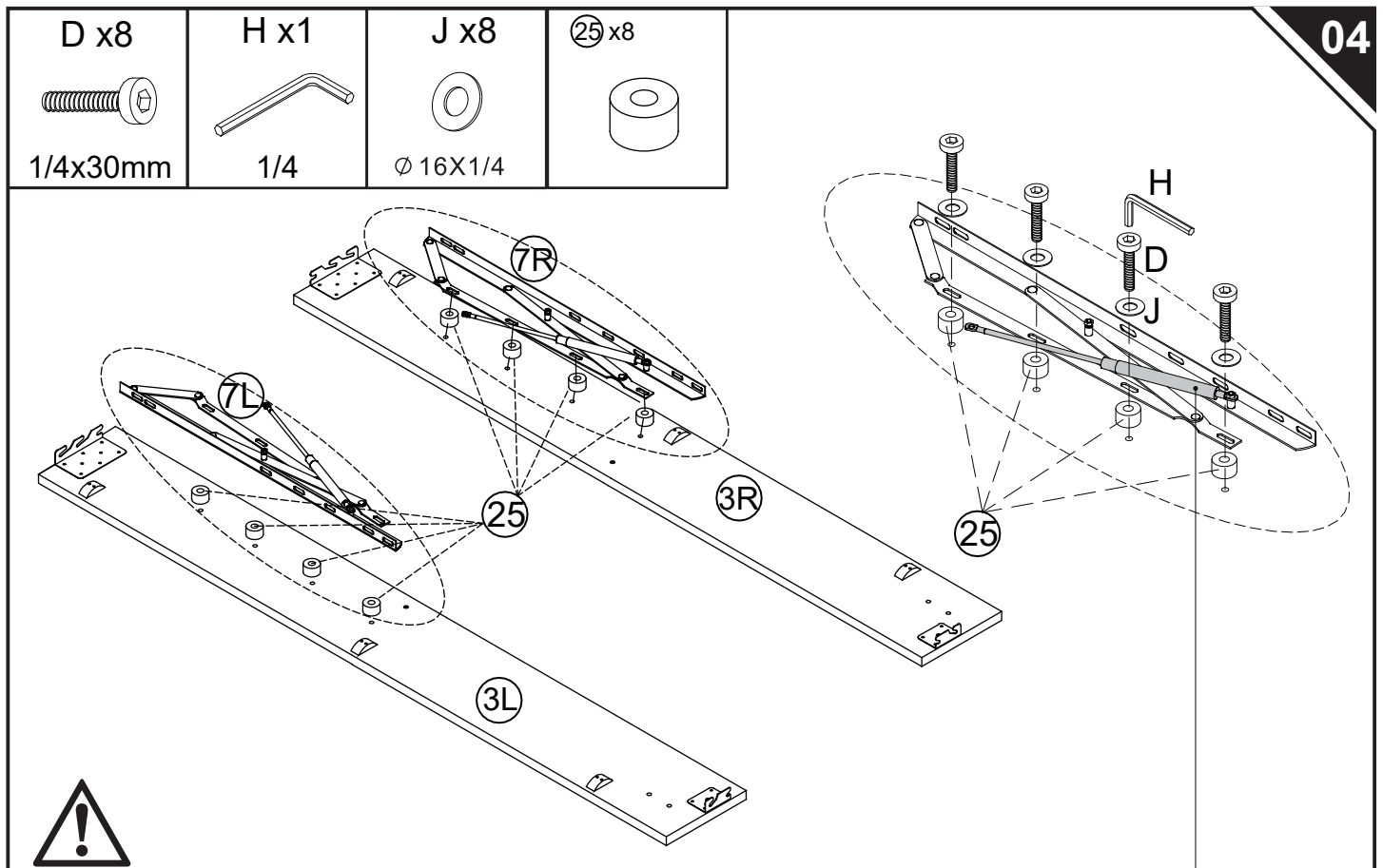
5/16



03



04



EN: Do not assemble the gas strut in the current step; please install it at step 12.

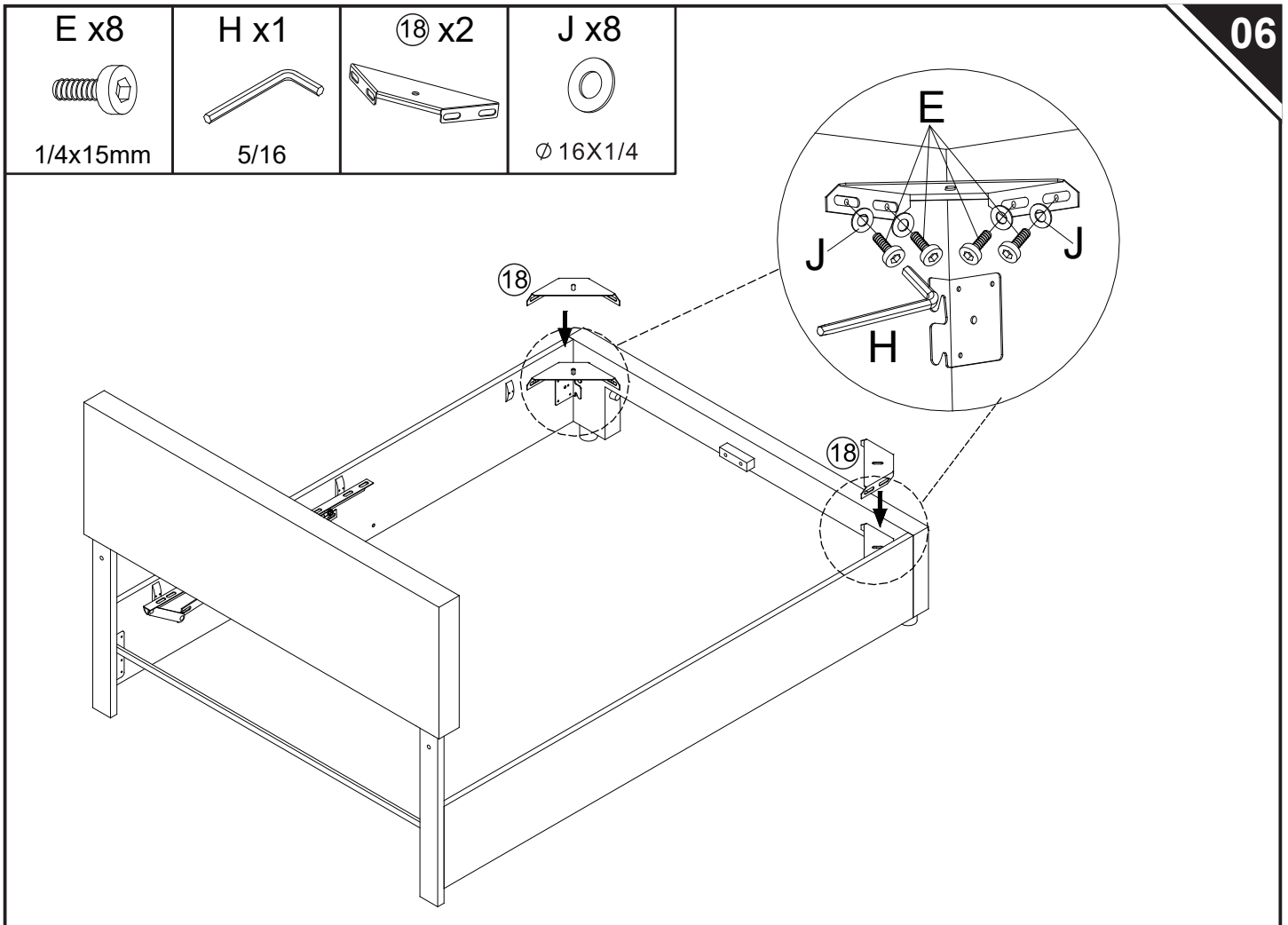
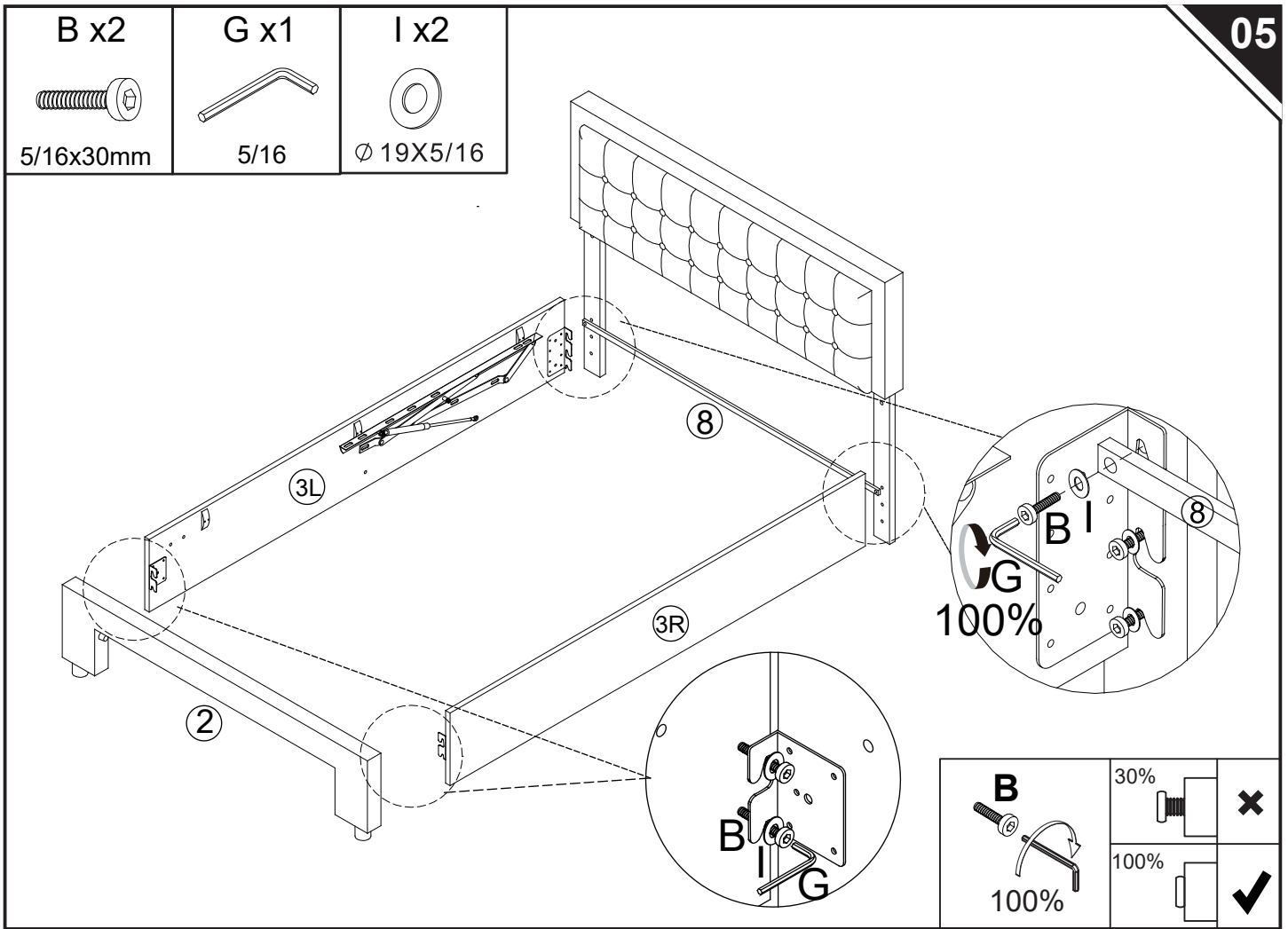
FR: Ne montez pas la tige à gaz à cette étape ; veuillez l'installer à l'étape 12.

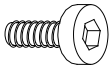


ES: No ensamble el pistón de gas en este paso; instálolo en el paso 12.

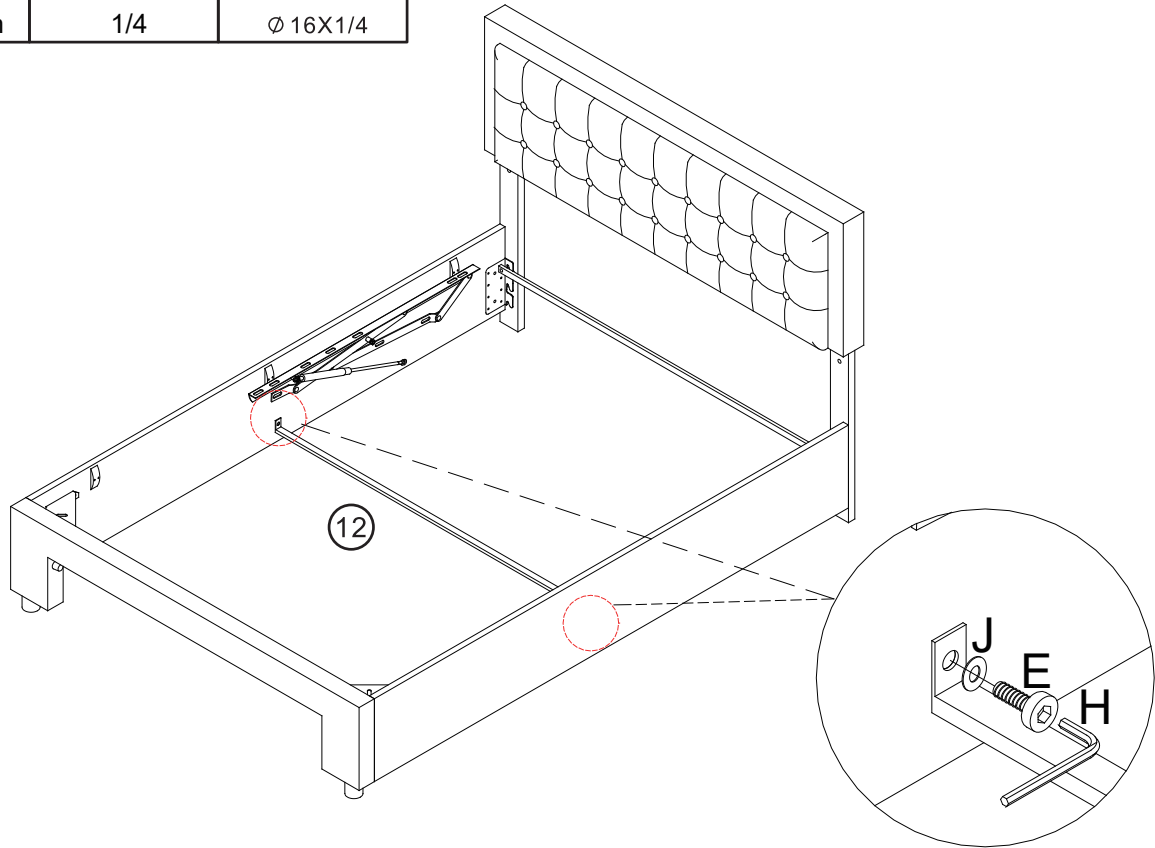
PT: Não monte a haste de gás nesta etapa; instale-a na etapa 12.


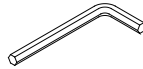



DE: Montieren Sie den Gasdruckstab in diesem Schritt nicht; bitte installieren Sie ihn in Schritt 12.

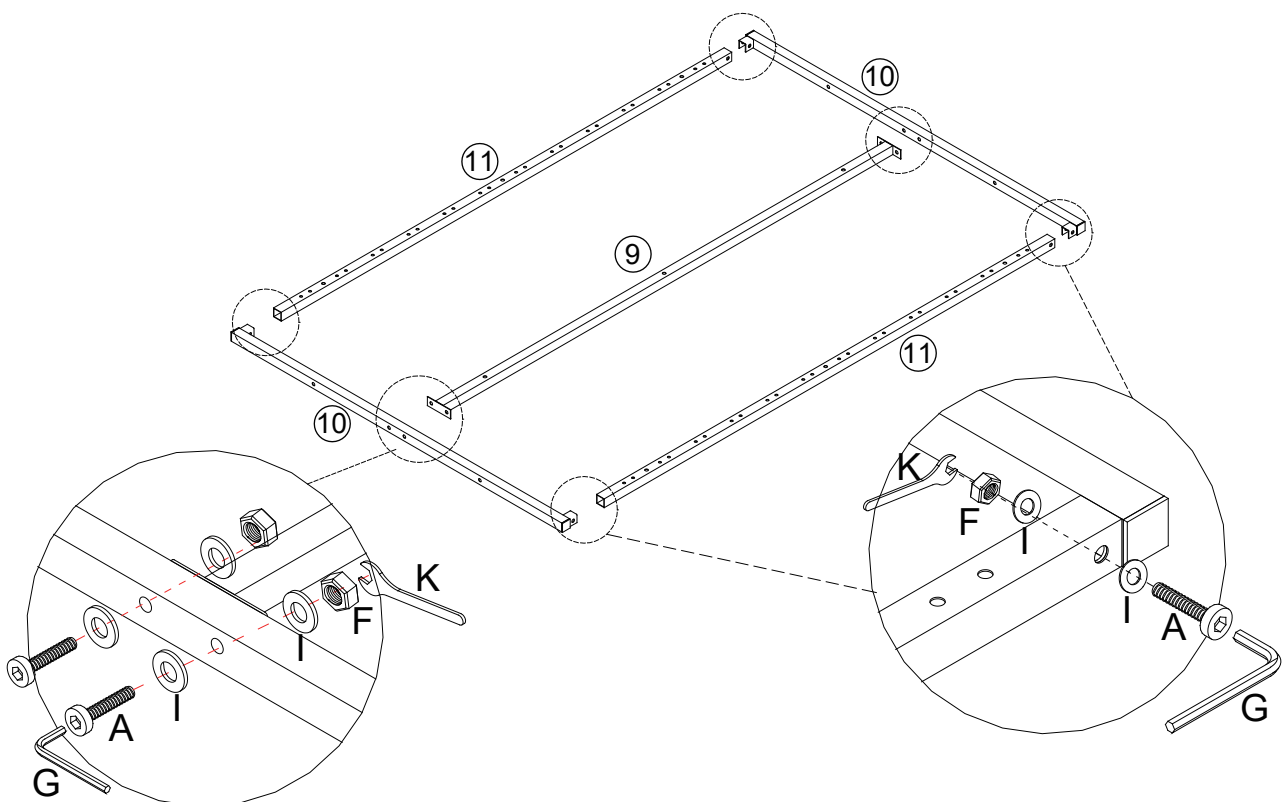
IT: Non assemblare la molla a gas in questa fase; installarla al passaggio 12.







<p>E x2</p>  <p>1/4 x15mm</p>	<p>H x1</p>  <p>1/4</p>	<p>J x2</p>  <p>Ø 16X1/4</p>
--	--	---

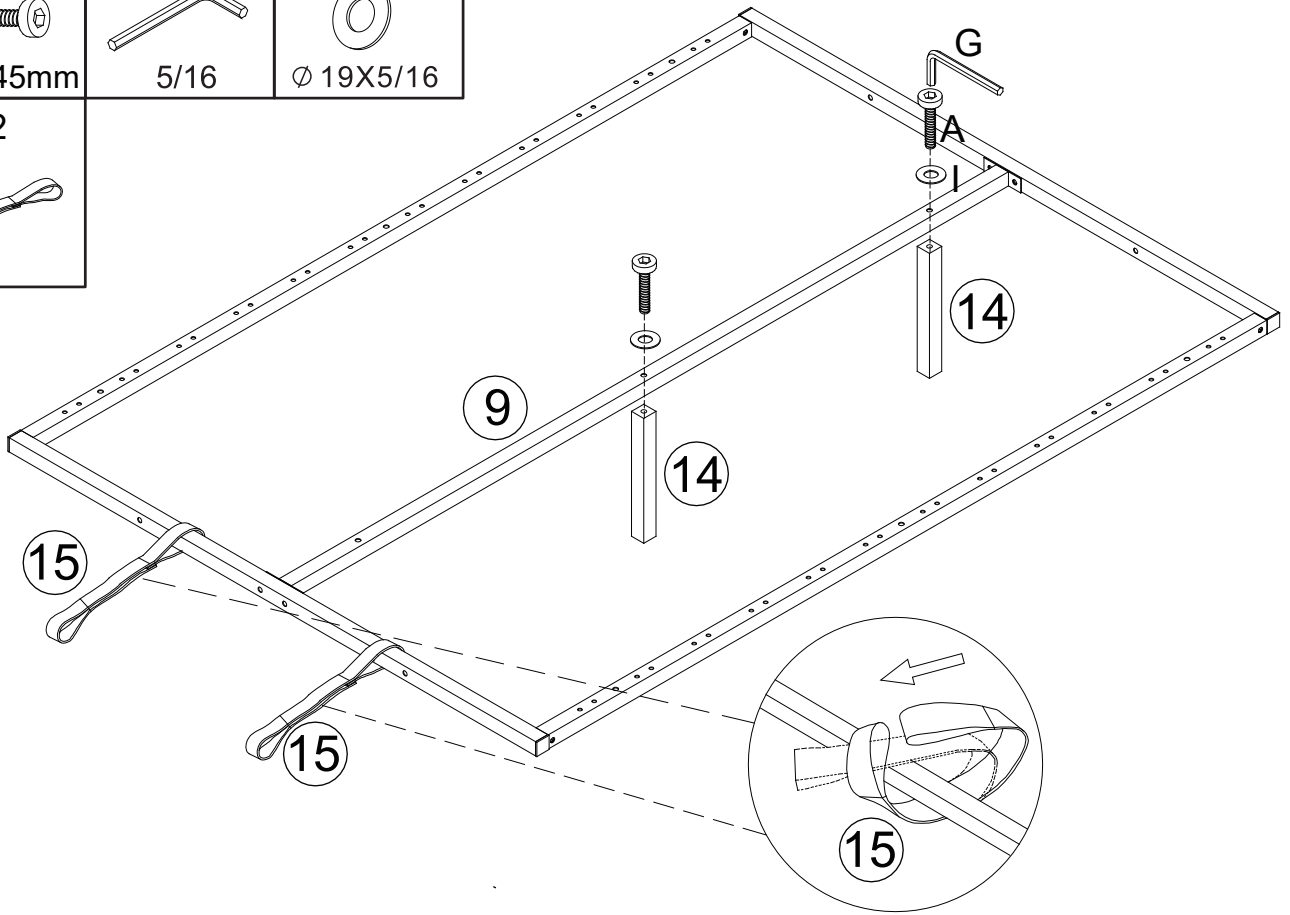




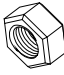


<p>A x8</p>  <p>5/16 x45mm</p>	<p>G x1</p>  <p>5/16</p>	<p>I x16</p>  <p>Ø 19X5/16</p>	<p>F x8</p>  <p>5/16</p>	<p>K x1</p> 
---	---	---	---	---

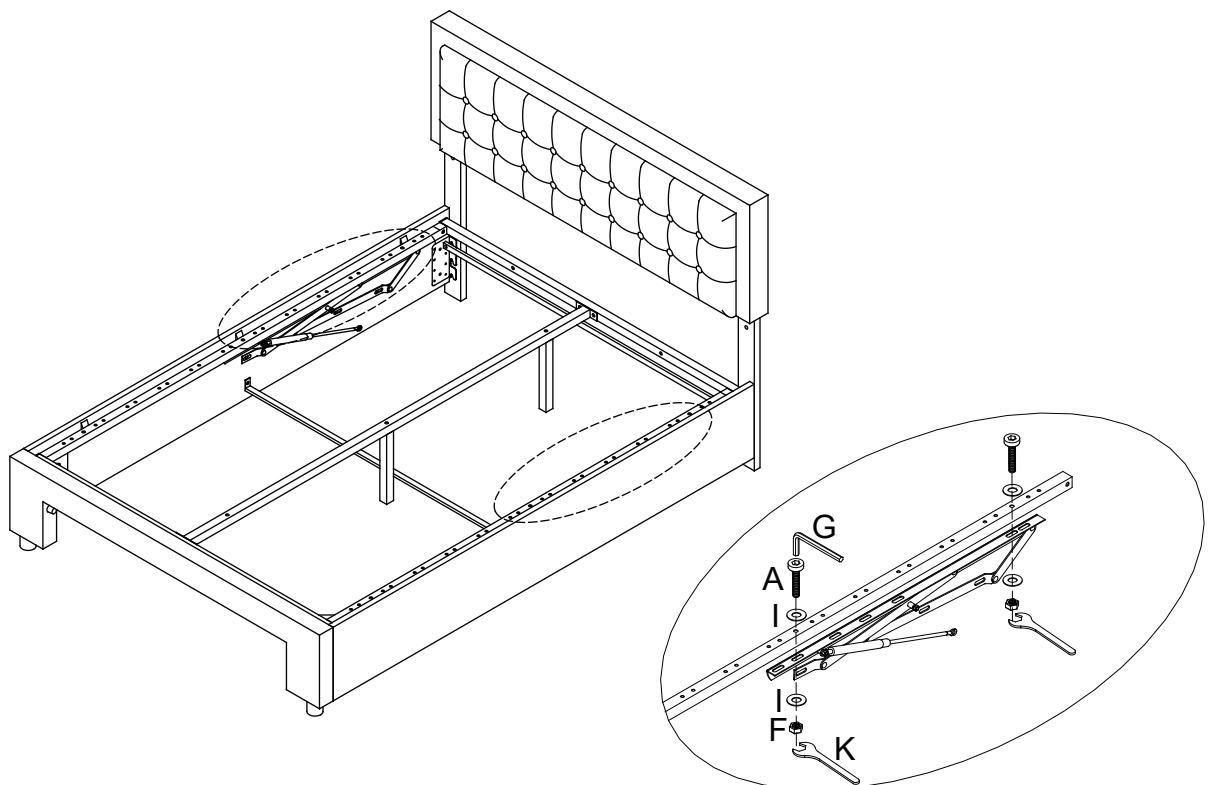


A x2  5/16x45mm	G x1  5/16	I x2  Ø 19X5/16
---	--	---

15 x2 



A x4  5/16x45mm	G x1  5/16	F x4  5/16	K x1 	I x8  Ø 19X5/16
---	--	--	--	---



A x2



5/16x45mm

G x1



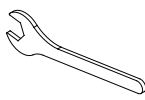
5/16

F x2



5/16

K x1

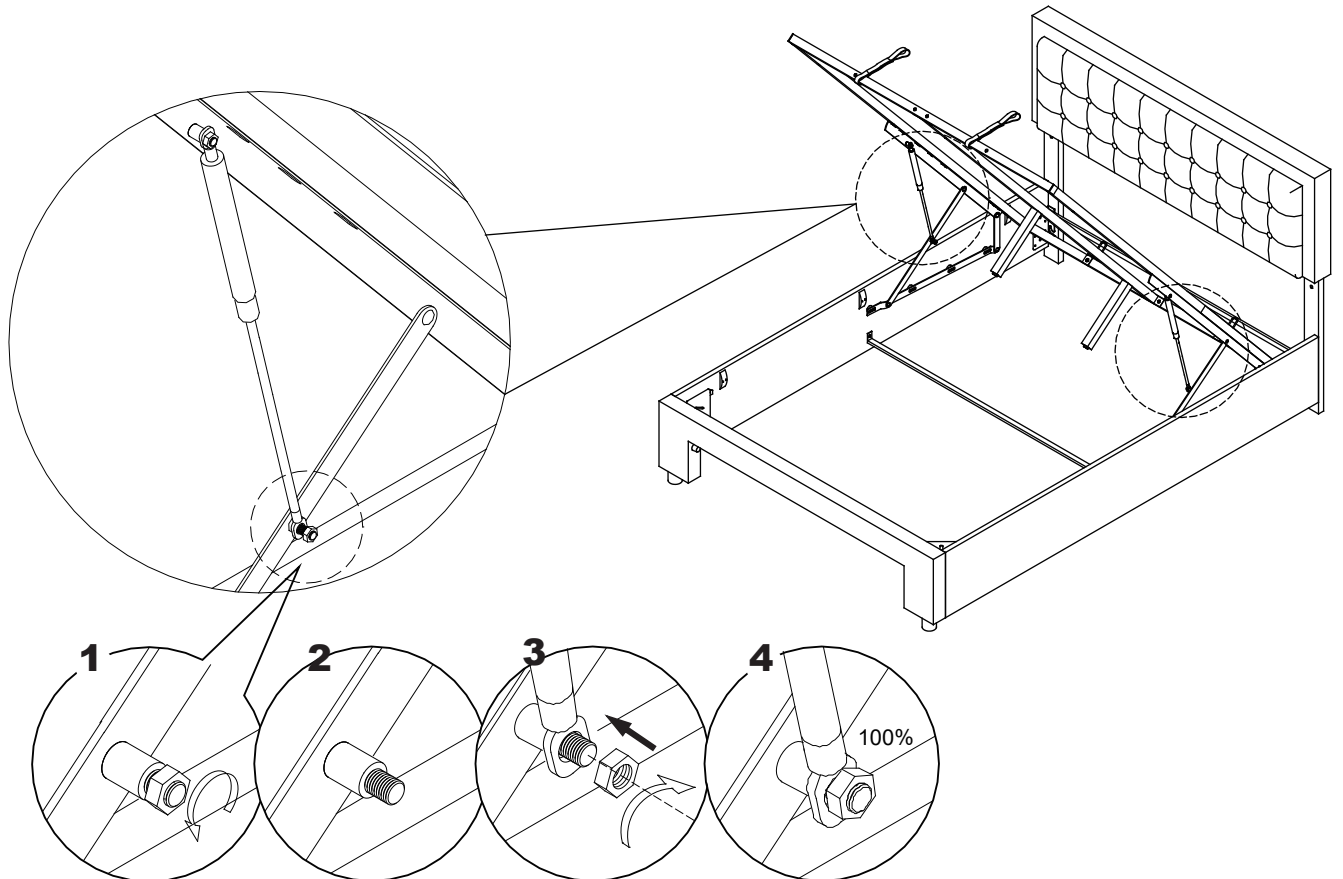
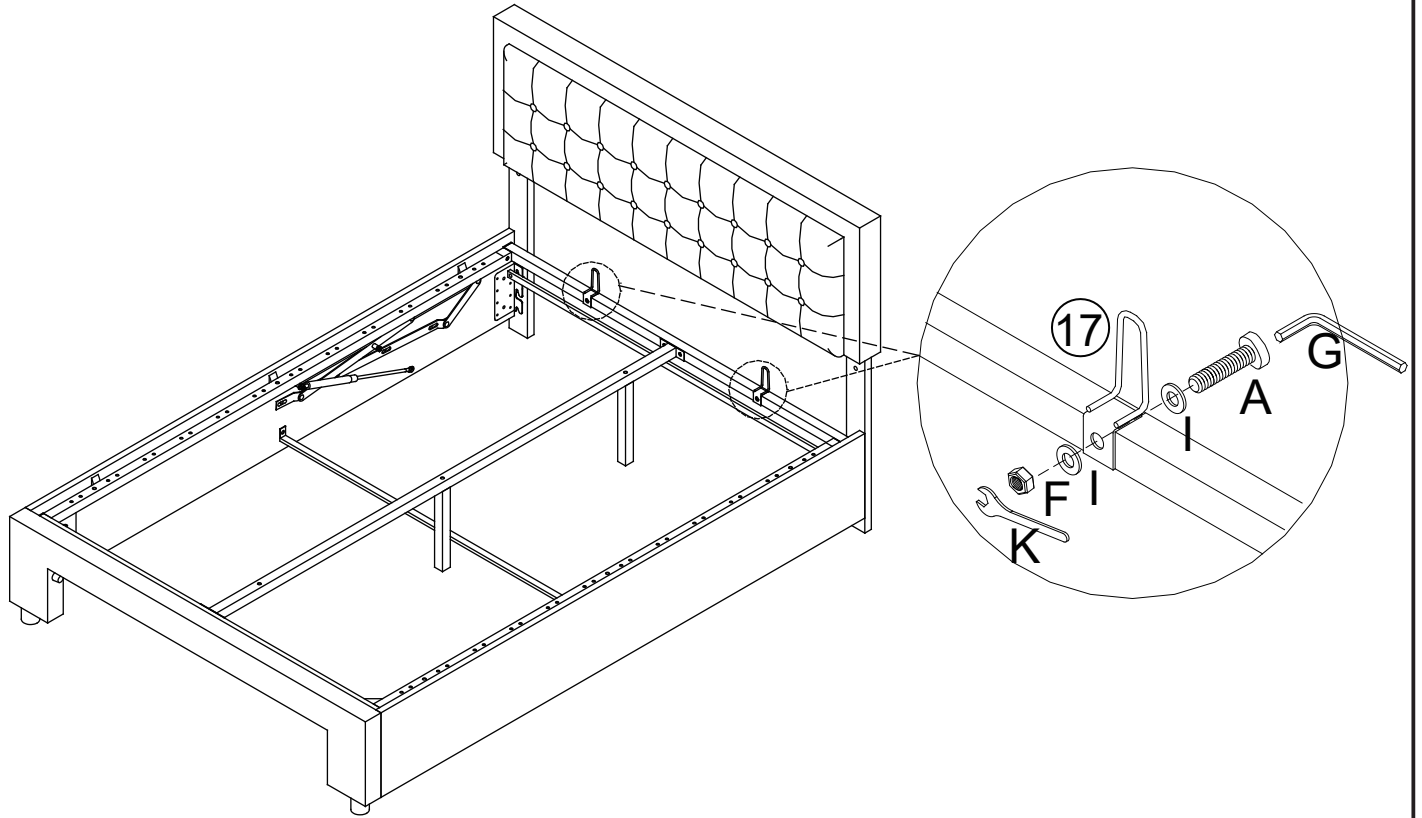
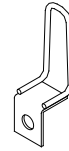


I x4

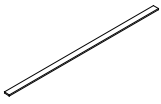


Ø 19X5/16

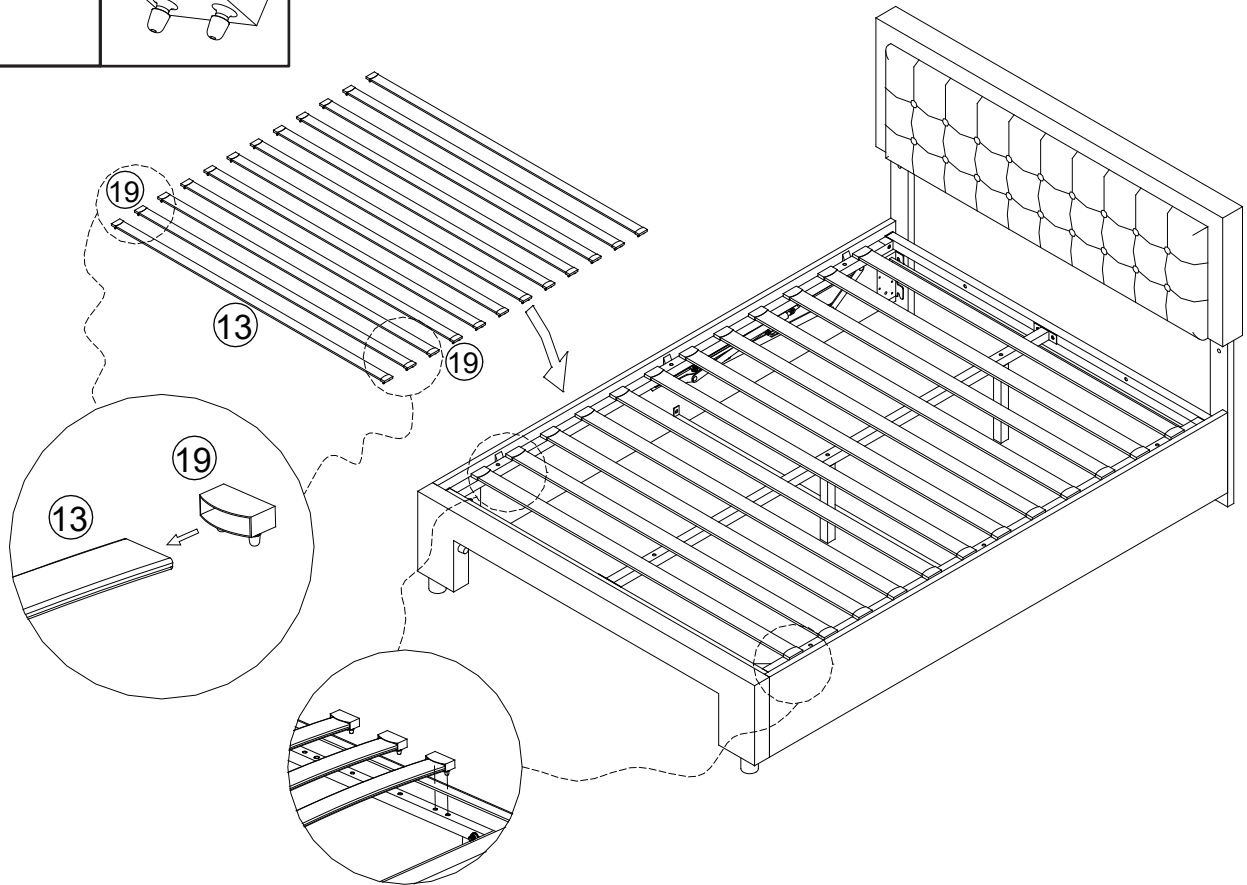
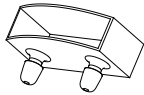
17 x2



13 x12



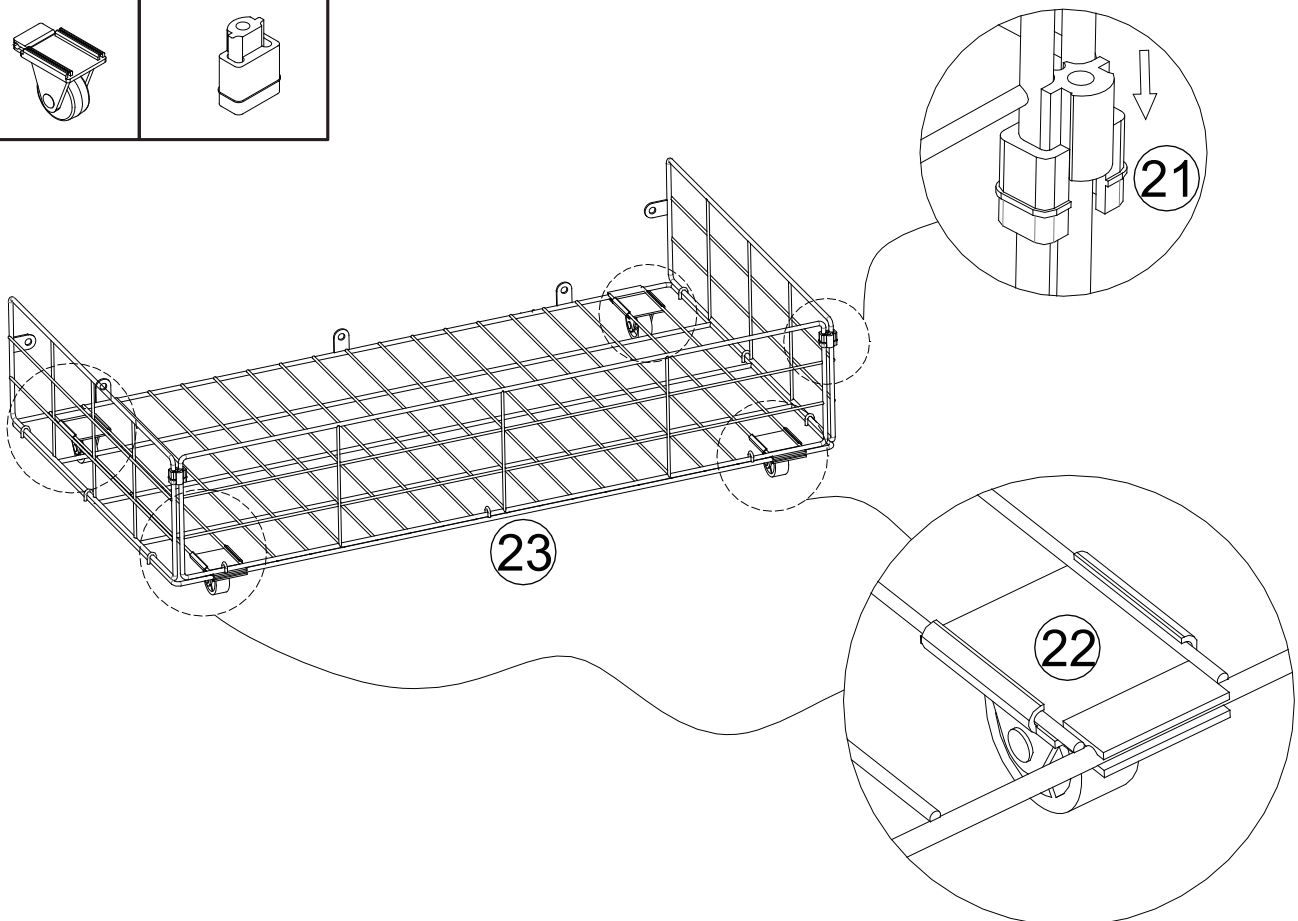
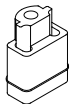
19 x24



22 x4



21 x2



E x5



1/4x15mm

H x1

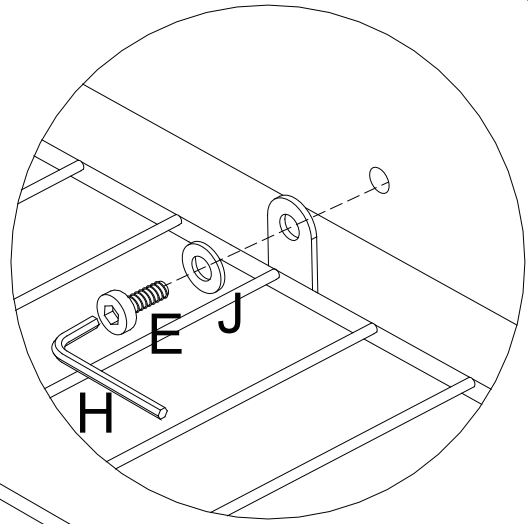


1/4

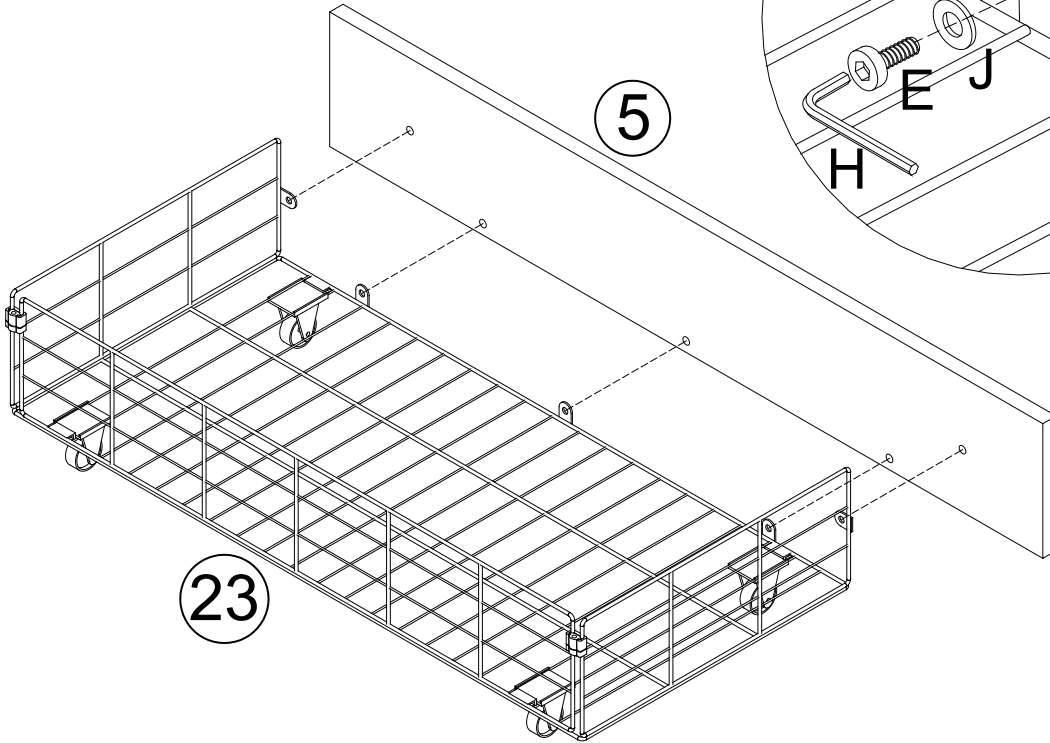
J x5



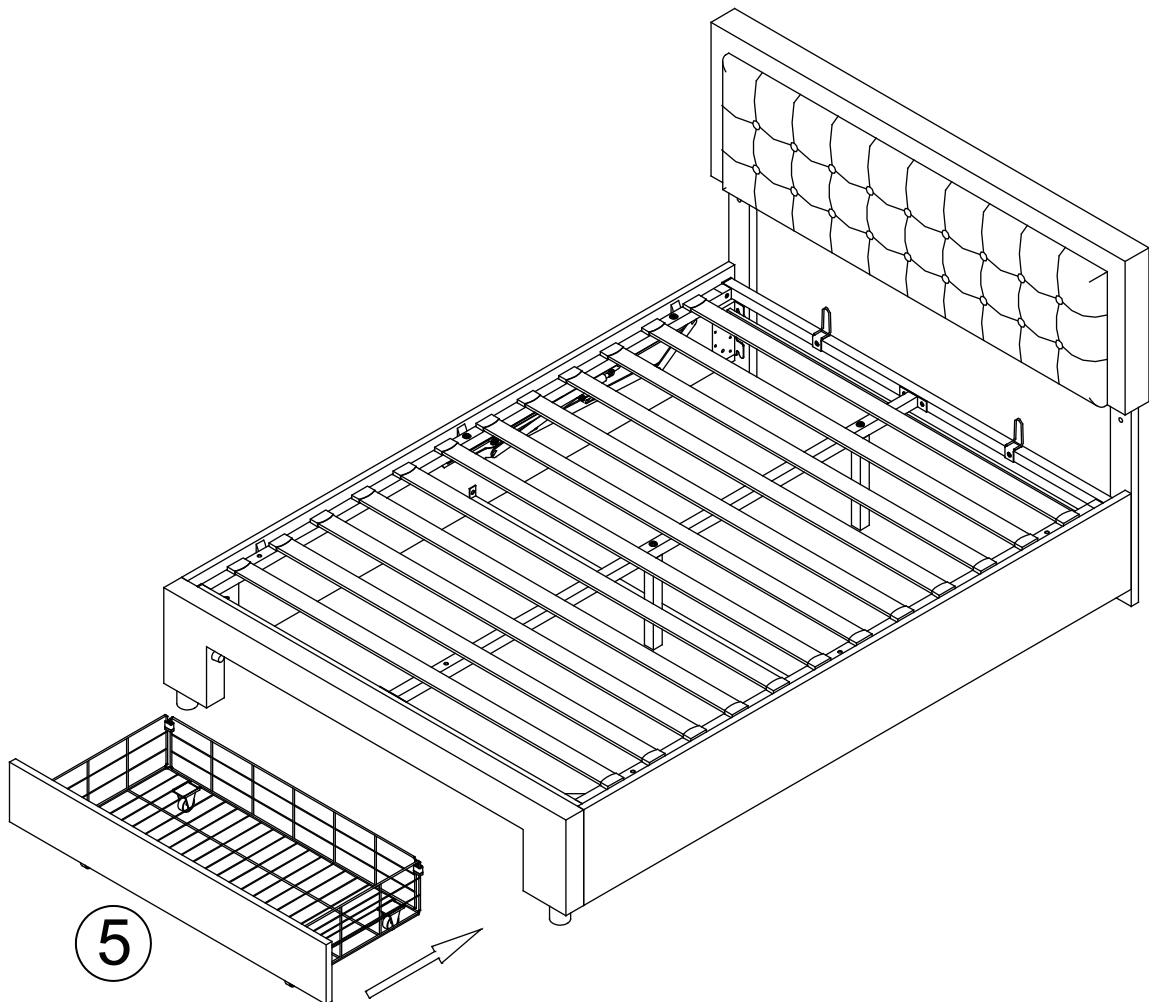
Ø 16X1/4



5




23




5

If you have any questions, please contact our customer care center, Our contact details are below:

US


 001-877-644-9366

 customerservice@aosom.com

Imported by Aosom LLC
27150 SW Kinsman Rd Wilsonville, OR 97070 USA
MADE IN CHINA

If you have any questions, please contact our customer care center, Our contact details are below:


CA

 416-792-6088

 customerservice@aosom.ca

Imported by Aosom Canada Inc.
7270 Woodbine Avenue, Unit 307, Markham,
Ontario Canada L3R 4B9
MADE IN CHINA

Si vous avez la moindre question, veuillez contacter notre centre d'assistance à la clientèle, Nos coordonnées sont les suivantes:

 416-792-6088

 customerservice@aosom.ca

Importé par Aosom Canada Inc.
7270 Woodbine Avenue, unité 307,
Markham, Ontario Canada L3R 4B9
FABRIQUÉ EN CHINE

If you have any questions, please contact our customer care center, Our contact details are below:

UK


 0044-800-240-4004

 enquiries@mhstar.co.uk

IMPORTER ADDRESS:
MH STAR UK LTD
Unit 27, Perivale Park,
Horsenden lane South
Perivale, UB6 7RH
MADE IN CHINA

Si vous avez la moindre question, veuillez contacter notre centre d'assistance à la clientèle, Nos coordonnées sont les suivantes:

FR

 0033-1-84166106

 aosom@mhfrance.fr

Importé par/Fabricant/REP:
MH FRANCE
2 Rue Maurice Hartmann
92130 Issy Les Moulineaux
France
FABRIQUÉ EN CHINE

Wenn Sie Fragen haben, wenden Sie sich bitte an unser Kundendienstzentrum, Unsere Kontaktdaten stehen unten:

DE


 +49 40 87408465

 service@aosom.de

ADRESSE DES IMPORTEURE/Hersteller/REP:
MH Handel GmbH
Wendenstraße 309
D-20537 Hamburg
Germany
IN CHINA HERGESTELLT

In caso di dubbio, si prega di contattare il nostro centro assistenza clienti, I nostri dettagli di contatto sono di seguito:

IT


 0039-0249471447


 clienti@aosom.it

IMPORTATO DA/Produttore/REP:
AOSOM Italy srl
Centro Direzionale Milanofiori
Strada 1 Palazzo F1
20057 Assago (MI)
P.I.: 08567220960
FATTO IN CINA

Si tiene alguna pregunta, comuníquese con nuestro Centro de Atención al Cliente, Nuestros datos de contacto son los siguientes:


ES

 0034-931294512

 atencioncliente@aosom.es

IMPORTADOR/Fabricante/REP:
SPANISH AOSOM, S.L.
C/ROC GROS, N°15.08550, ELS HOSTALET DE
BALENYÀ, SPAIN.
B66295775
HECHO EN CHINA

Se tiver alguma dúvida, por favor contacte o nosso Centro de Atendimento ao Cliente, Os nossos dados de contacto são os seguintes:

 0034-931294512

 info@aosom.pt.

IMPORTADOR/Fabricante/REP:
SPANISH AOSOM, S.L.
C.ROC GROS N.15, 08550. ELS HOSTALET DE
BALENYÀ
FEITO NA CHINA



FR

**DONNEZ
OU
RECYCLEZ**



ASSOCIATION

OU



LIVRAISON

OU



DÉCHÈTERIE

Adresses sur quefairedemesdechets.fr