

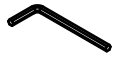






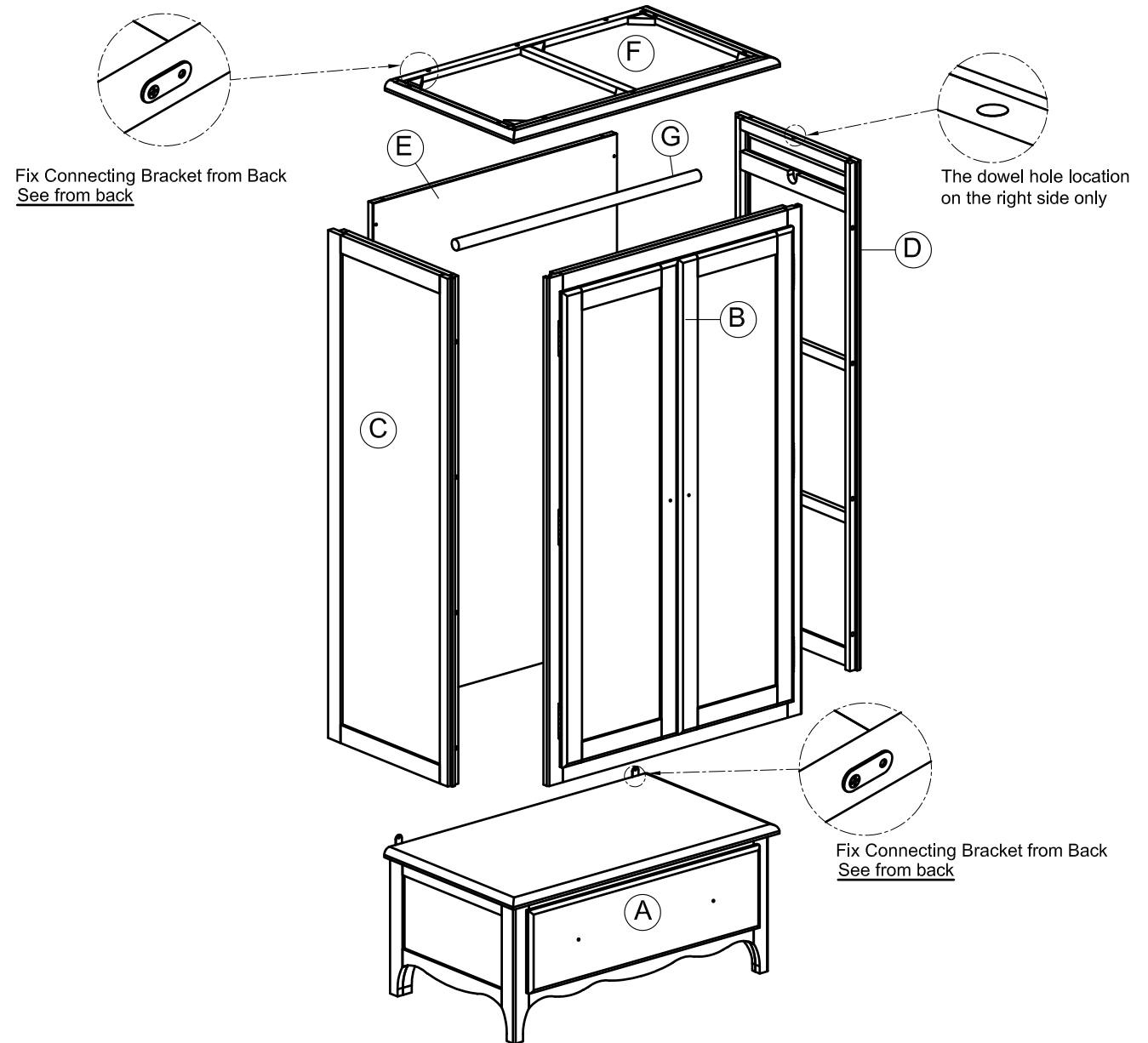
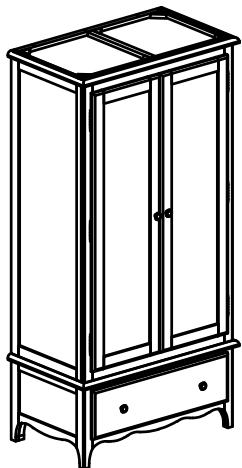


# ASSEMBLY INSTRUCTION

## G7977 - GENTS WARDROBE

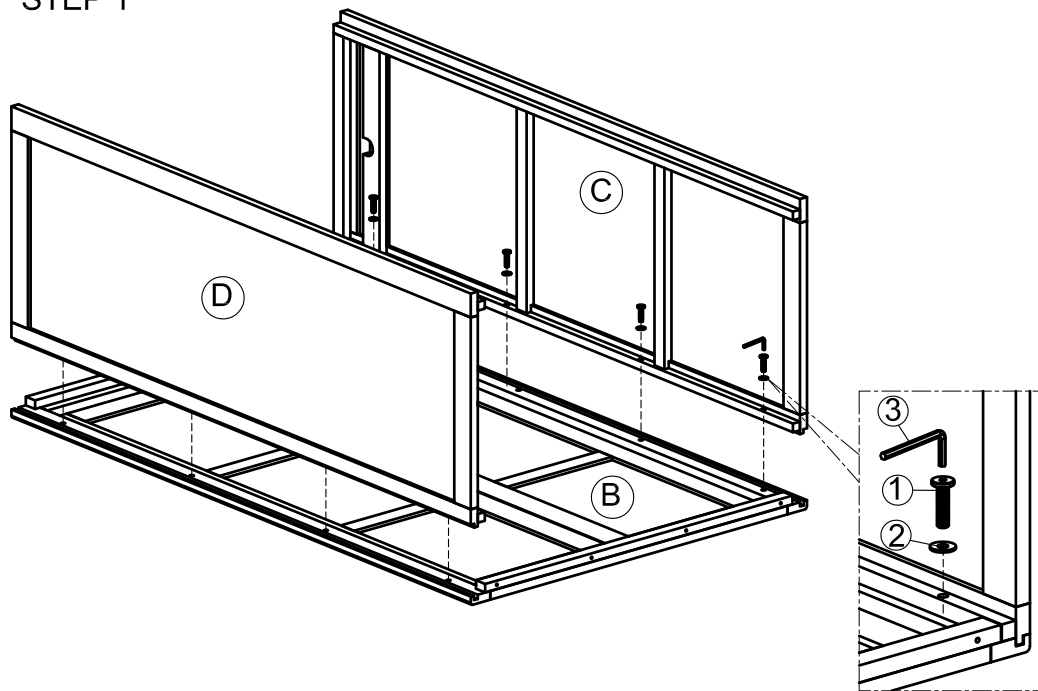
| No | Name of Hardware   | Q.ty   |
|----|--|--------|
| ①  | Bolts M6x30         | 8      |
| ②  | Flat Washer M6      | 8      |
| ③  | Allen key K4        | 1      |
| ④  | Screws M 4x35       | 23     |
| ⑤  | Wooden Dowel Ø8x30  | 1      |
| ⑥  | Screws Ø4 x 20      | 8      |
| ⑦  | Handle with Bolt    | 2 Sets |
| ⑧  | Bracket             | 4      |
| ⑨  | Tie                 | 2      |

Screwdriver (not included) 

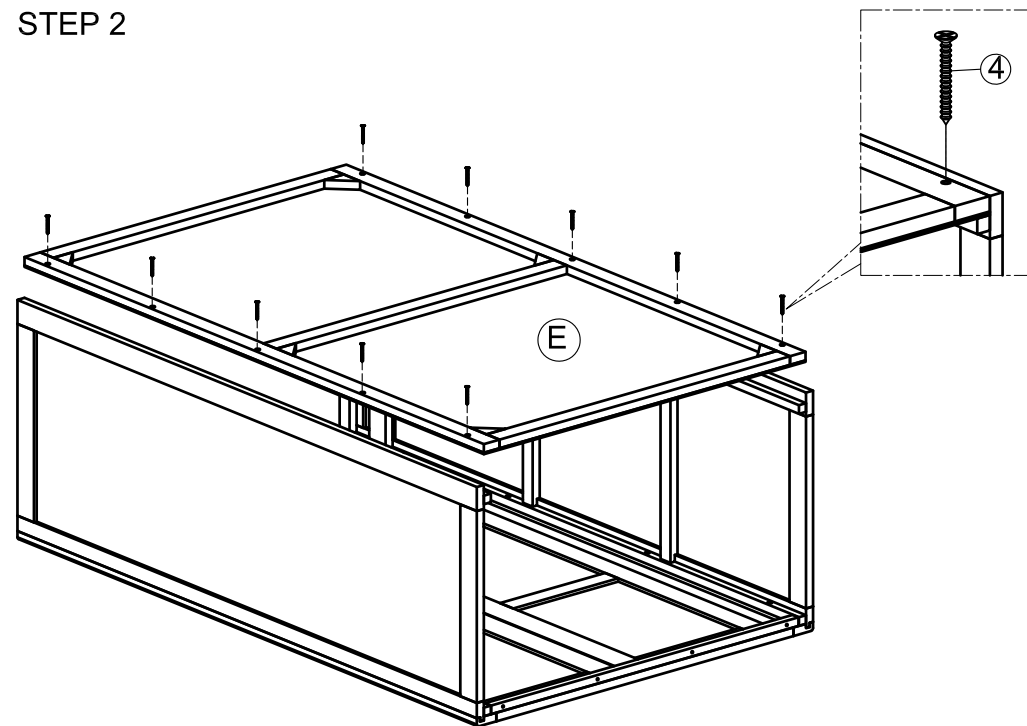


- (A) Base: x 1
- (C) Left Side Panel: x 1
- (E) Back Frame: x 1
- (G) Hanging Rail: x 1
- (B) Front Frame: x 1
- (D) Right Side Panel: x 1
- (F) Top Frame: x 1

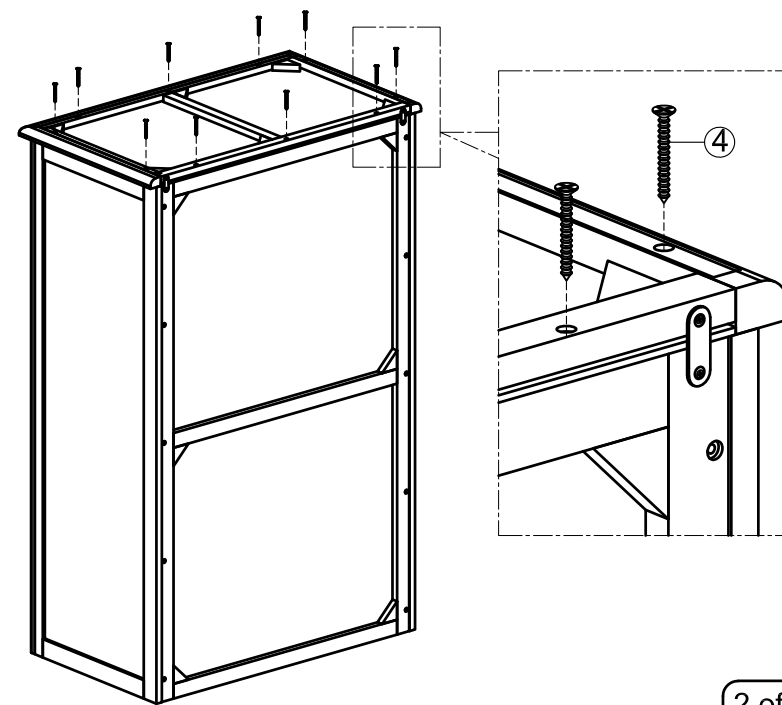
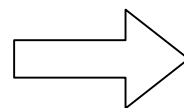
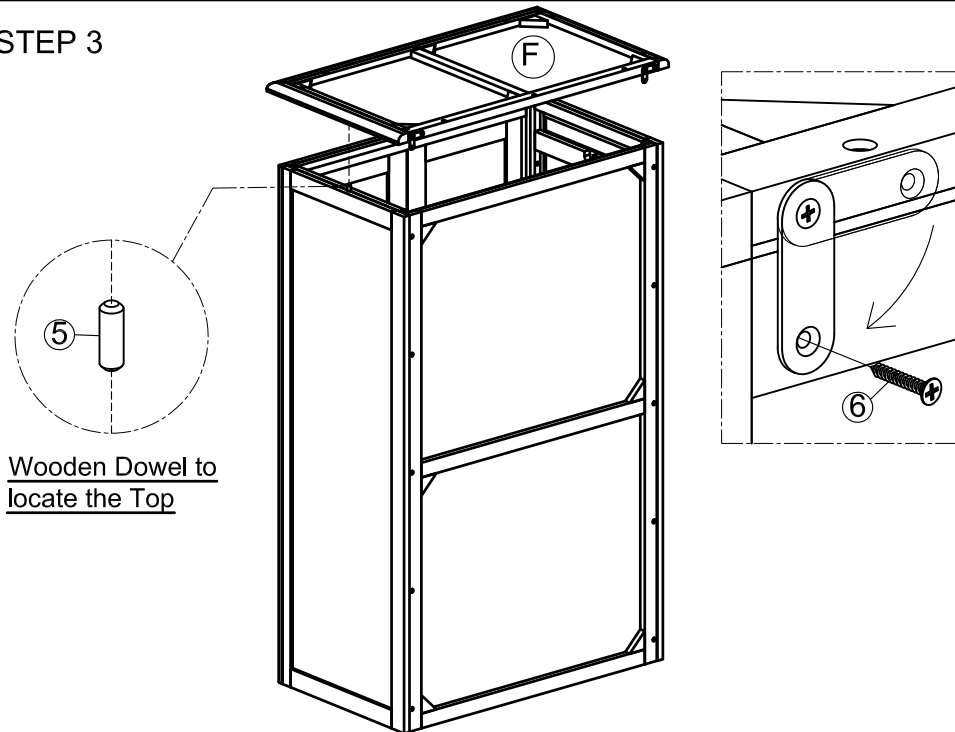
STEP 1



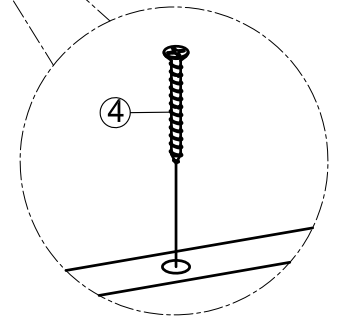
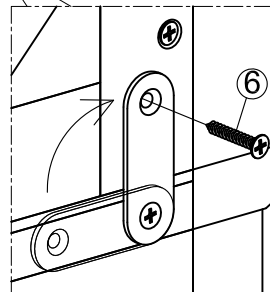
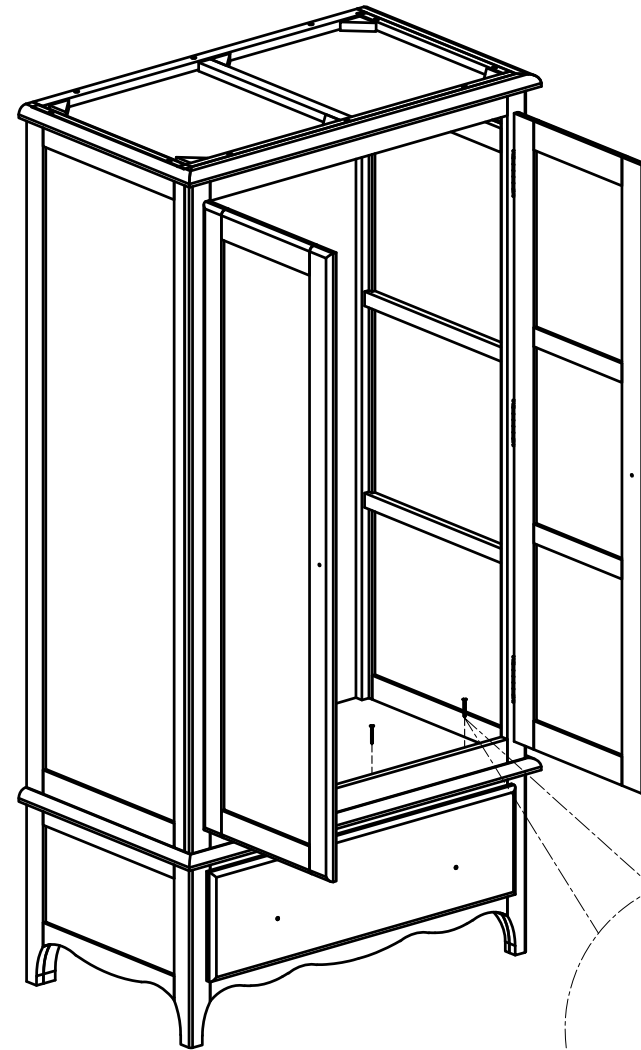
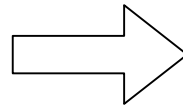
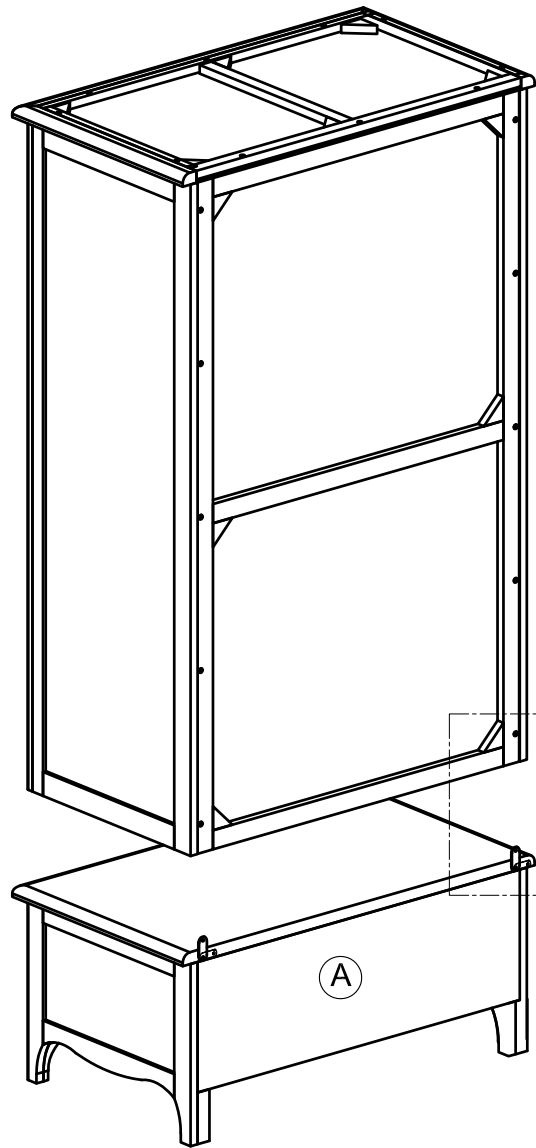
STEP 2



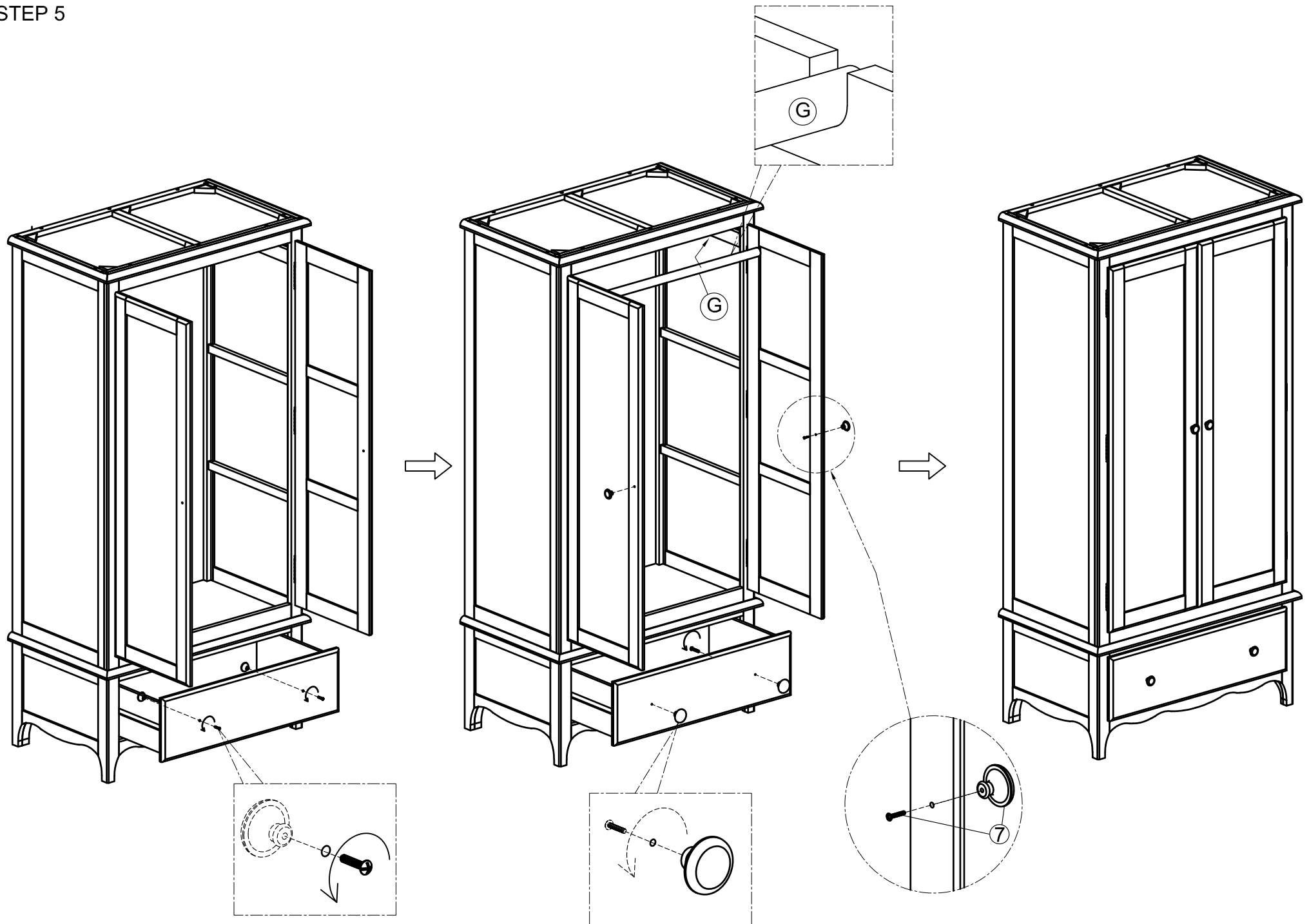
STEP 3



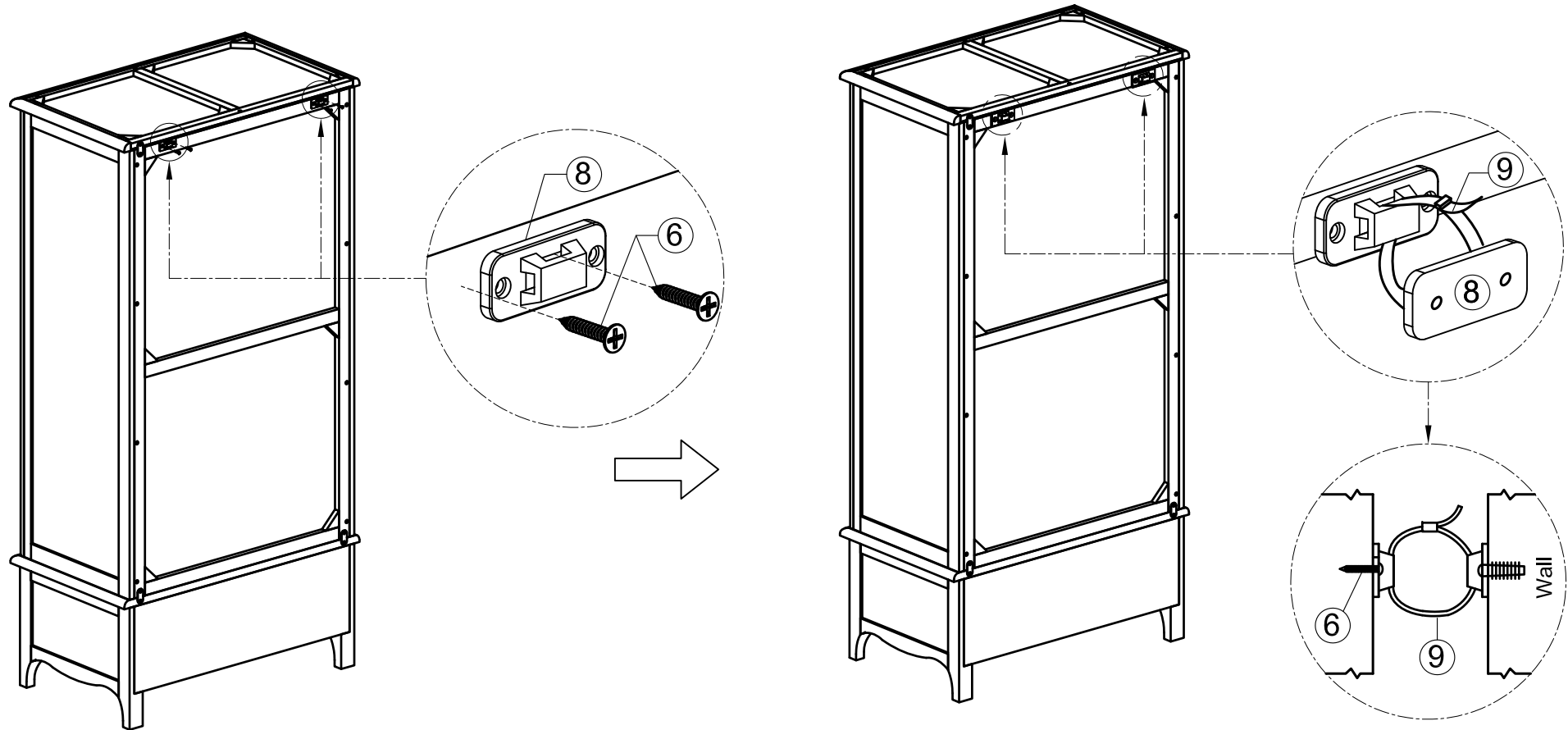
STEP 4



STEP 5



FINAL



## Wall fixings

This wall fixing is provided for your safety and we recommend that once in position the unit is secured to the wall for extra stability

Wall fixings may vary depending on item of furniture purchased.

Wall fittings are not provided as different wall types require different plastic plugs and screws.

Please ensure that you use fittings that are suitable for your wall type

Before drilling any holes in walls please check for hidden water and gas pipes or electrical wiring. If in doubt please seek professional help.