



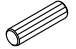

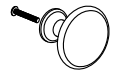




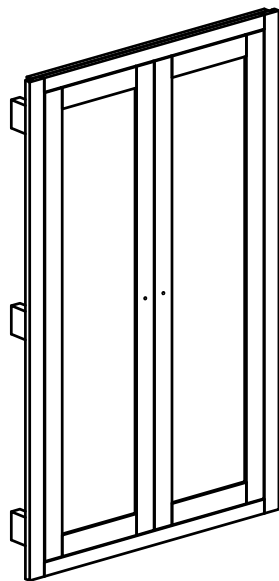


ASSEMBLY INSTRUCTION

G8718 - GENTS WARDROBE

No	LIST OF HARDWARE	Q.ty (pcs)
①	Bolts M6x30 	8
②	Flat Washers 	8
③	Allen key K4 	1
④	Screw Ø4 x 30 	20
⑤	Wooden Dowel Ø8x30 	1
⑥	Screw Ø4 x 40 	3
⑦	Handles with Bolts 	2 sets
⑧	Bracket 	4
⑨	Tie 	2
⑩	Screw Ø4 x 20 	8

Screwdriver (not included) 

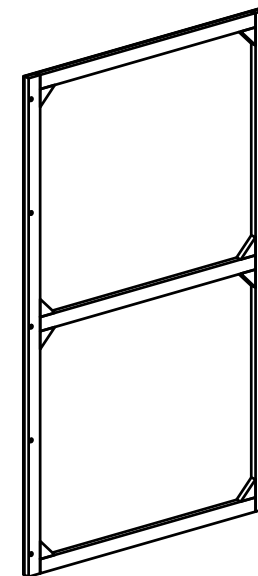


Ⓐ x1: Front Frame

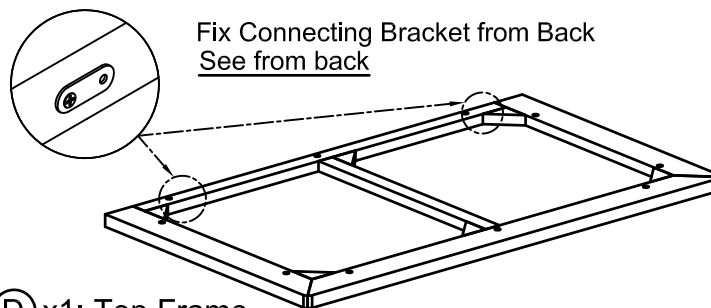


Ⓑ x2: Side Frame (Left -Right)

The dowel hole location on the right side only

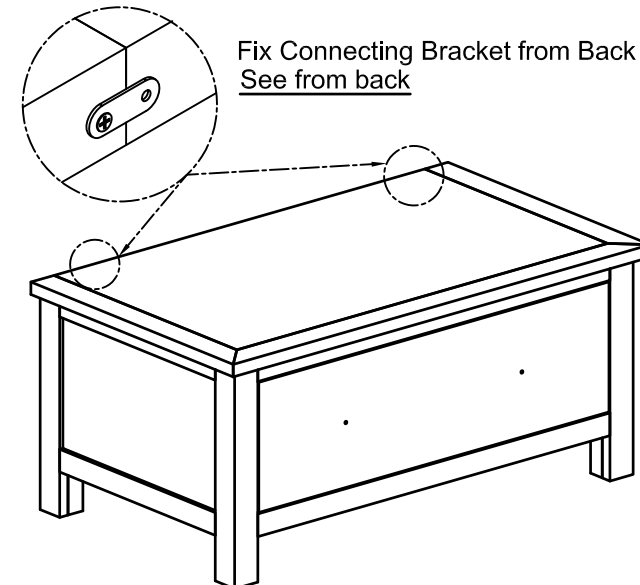


Ⓒ x1: Back Frame



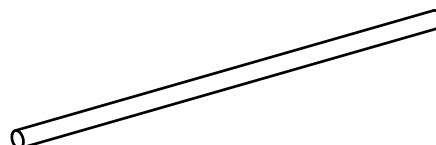
Ⓓ x1: Top Frame

Fix Connecting Bracket from Back
See from back



Ⓕ x1: Base cabinet

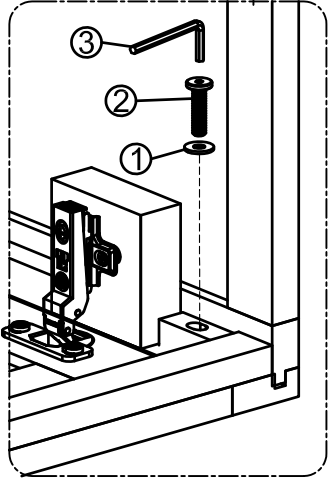
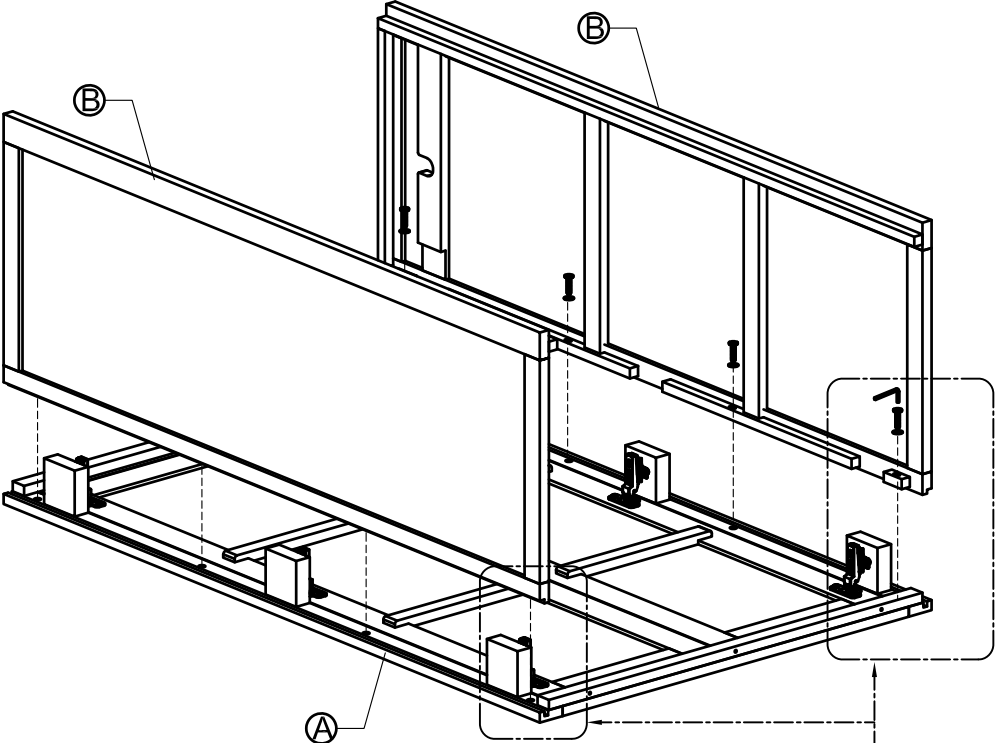
Fix Connecting Bracket from Back
See from back



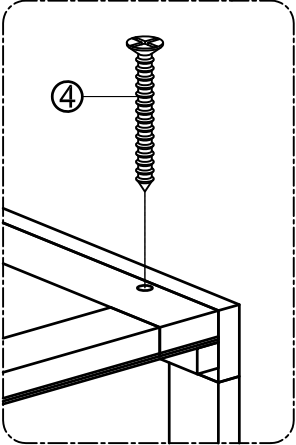
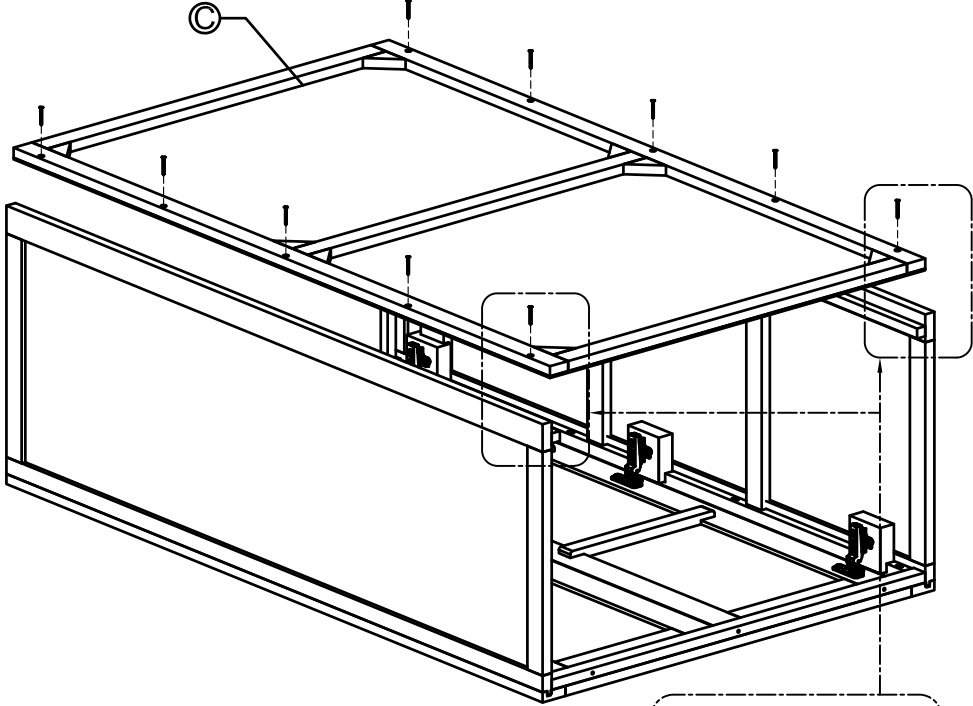
Ⓖ x1: Hanging

ASSEMBLY INSTRUCTION G8718 - GENTS WARDROBE

STEP 1

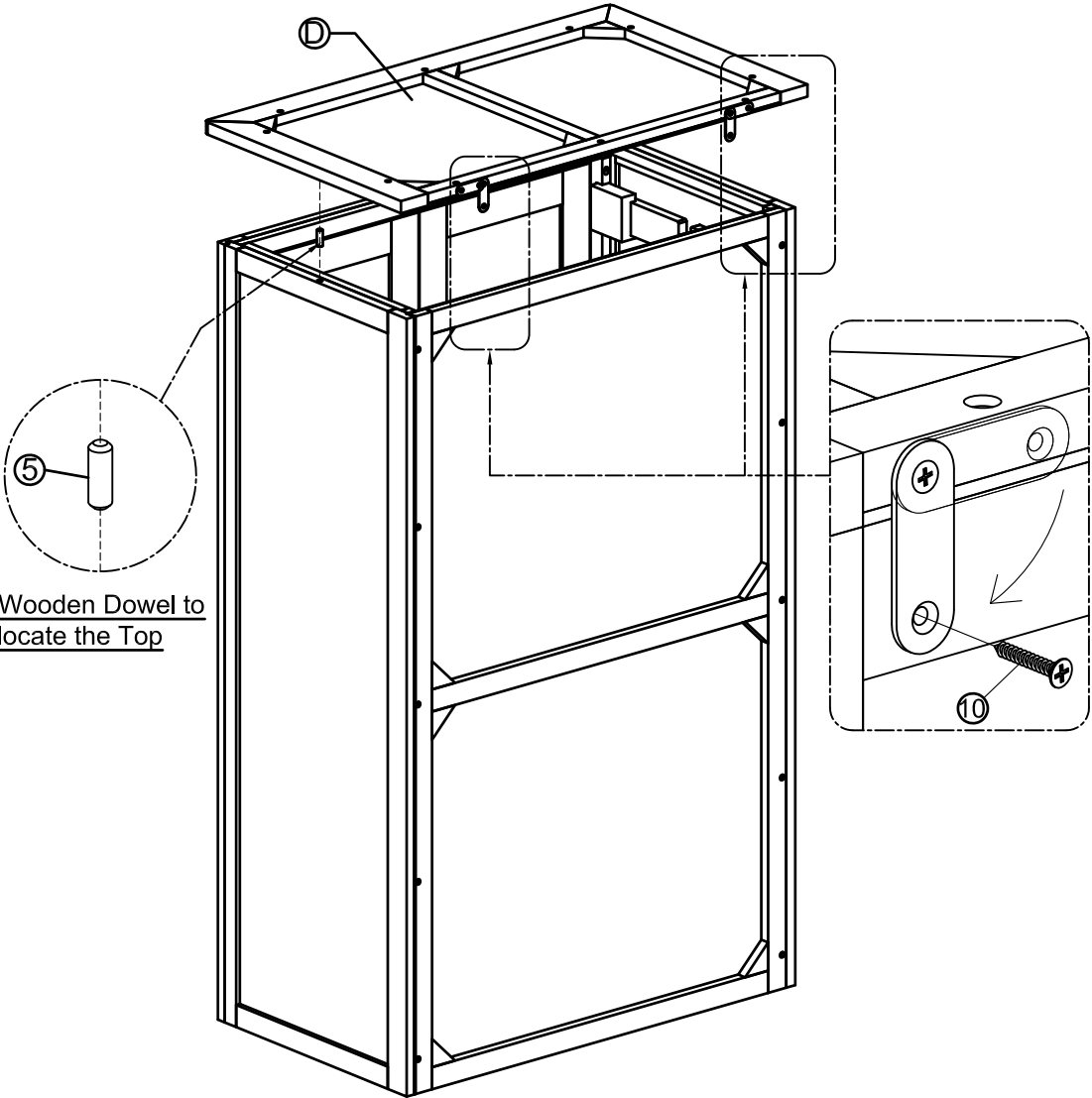


STEP 2



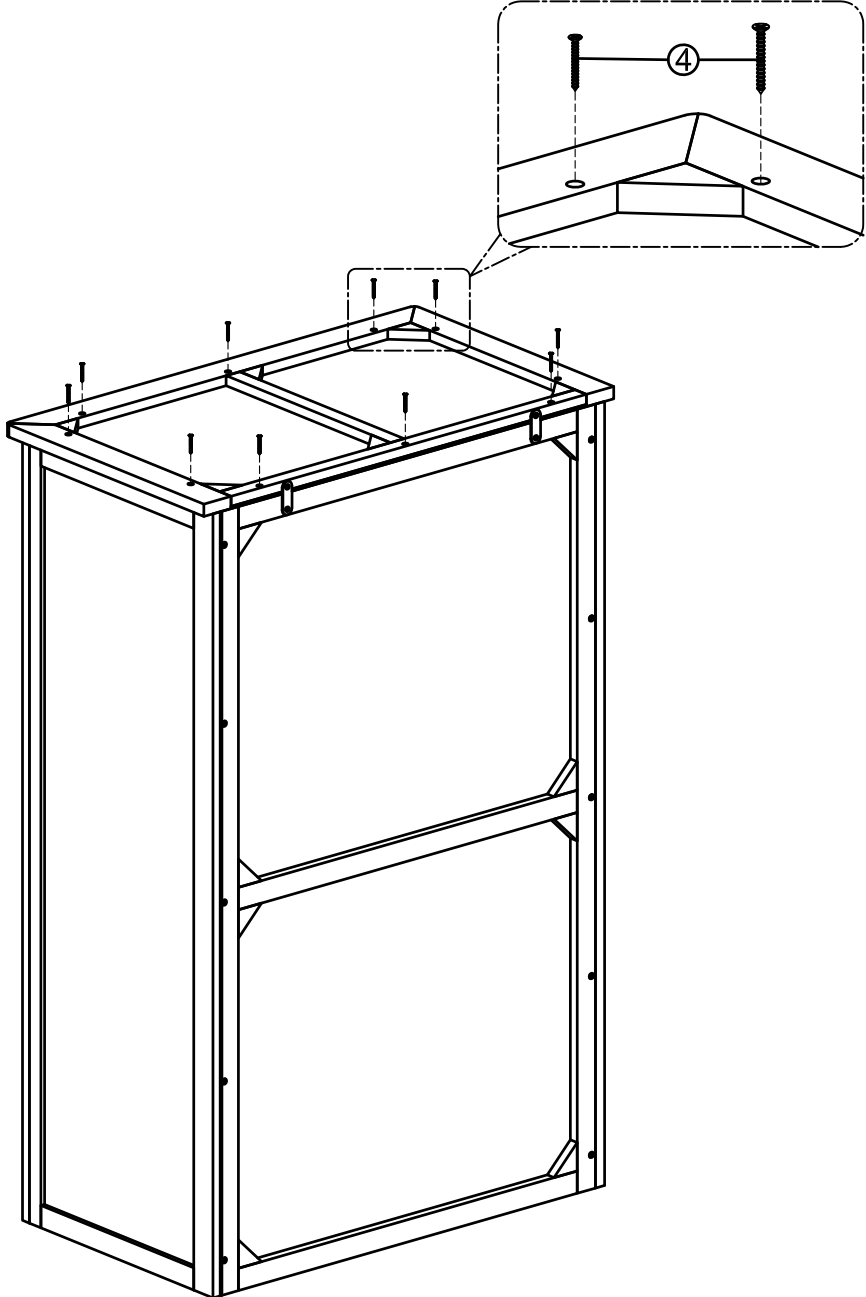
ASSEMBLY INSTRUCTION G8718 - GENTS WARDROBE

STEP 3



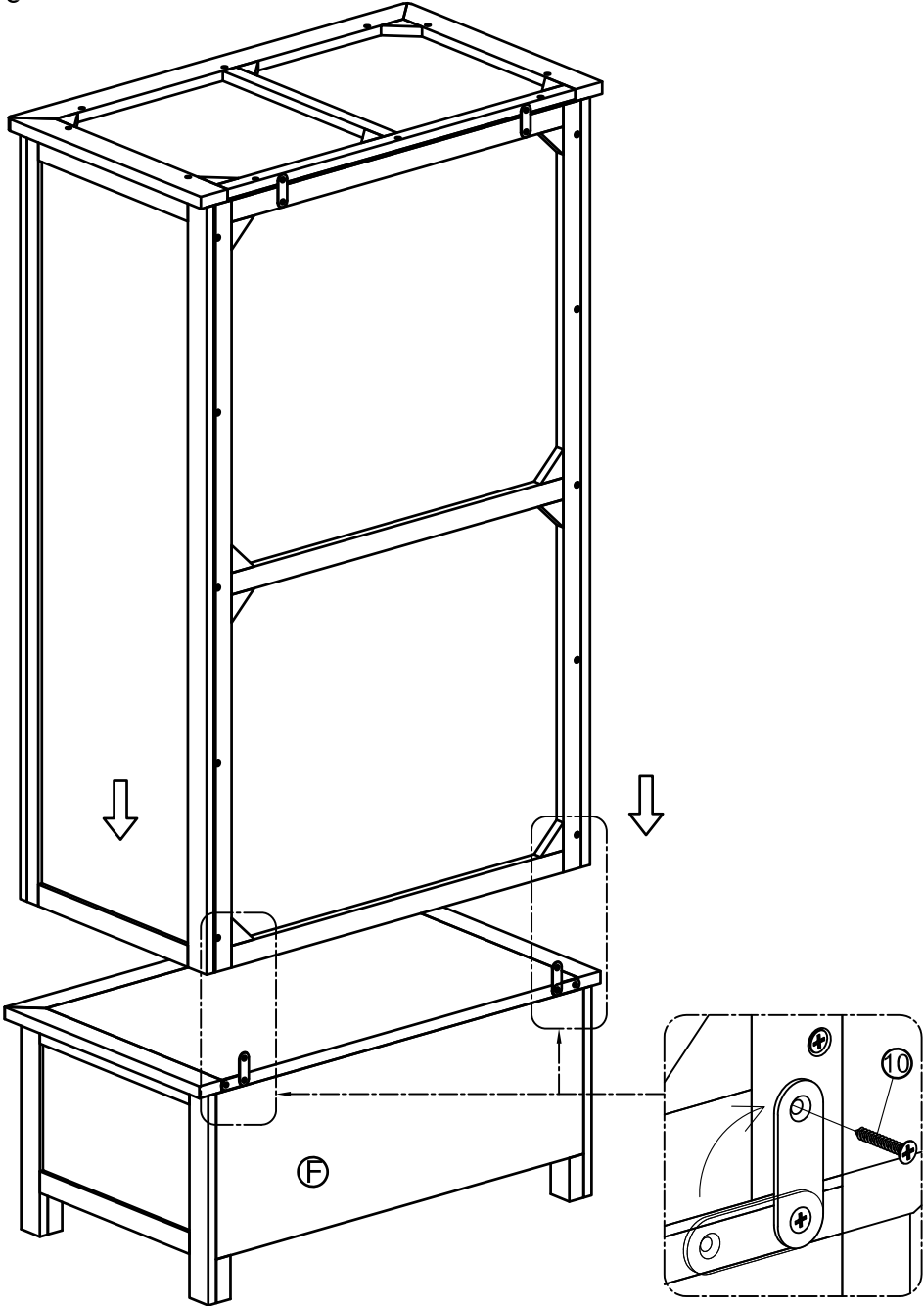
Wooden Dowel to locate the Top

STEP 4

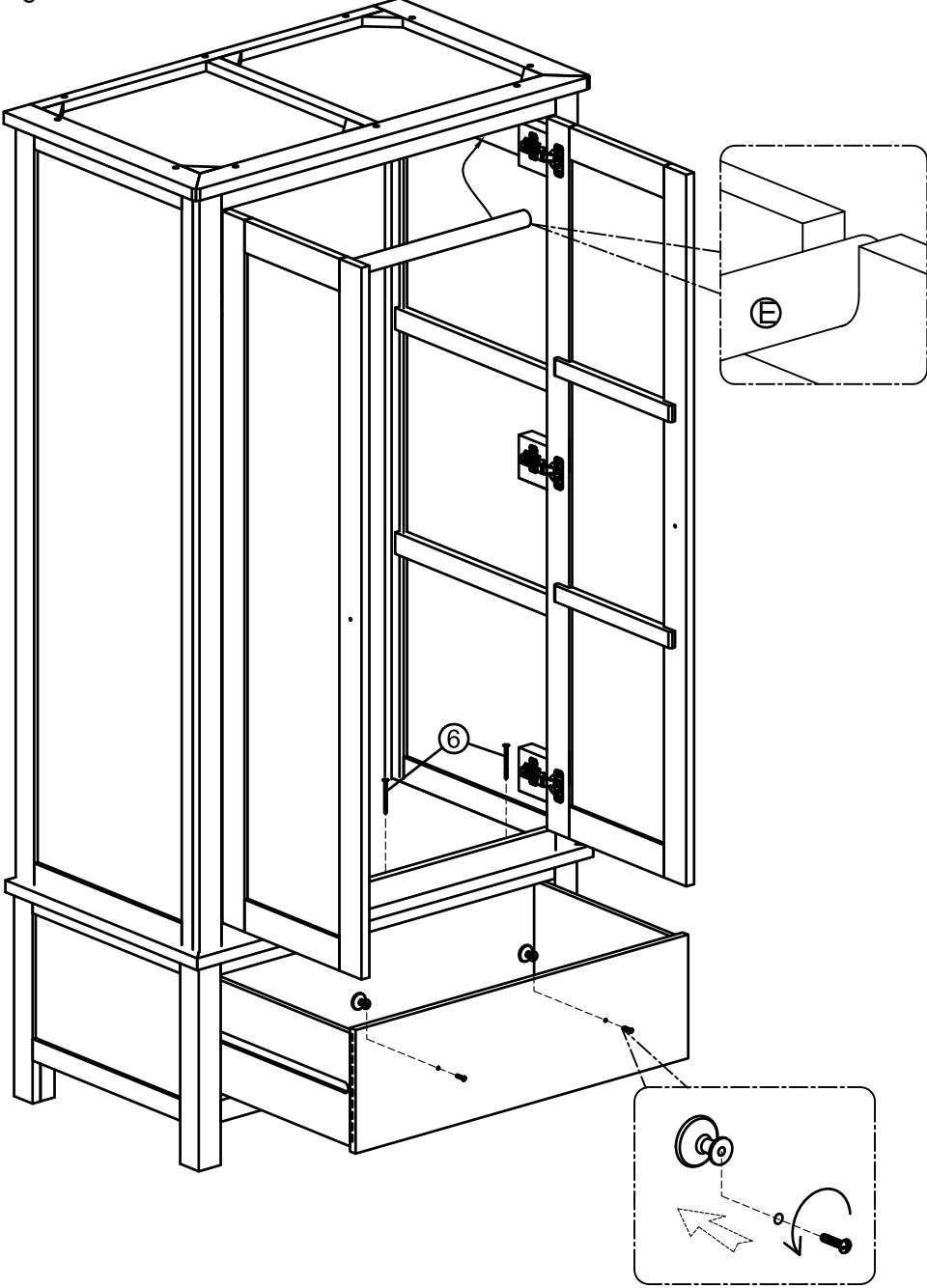


ASSEMBLY INSTRUCTION G8718 - GENTS WARDROBE

STEP 5

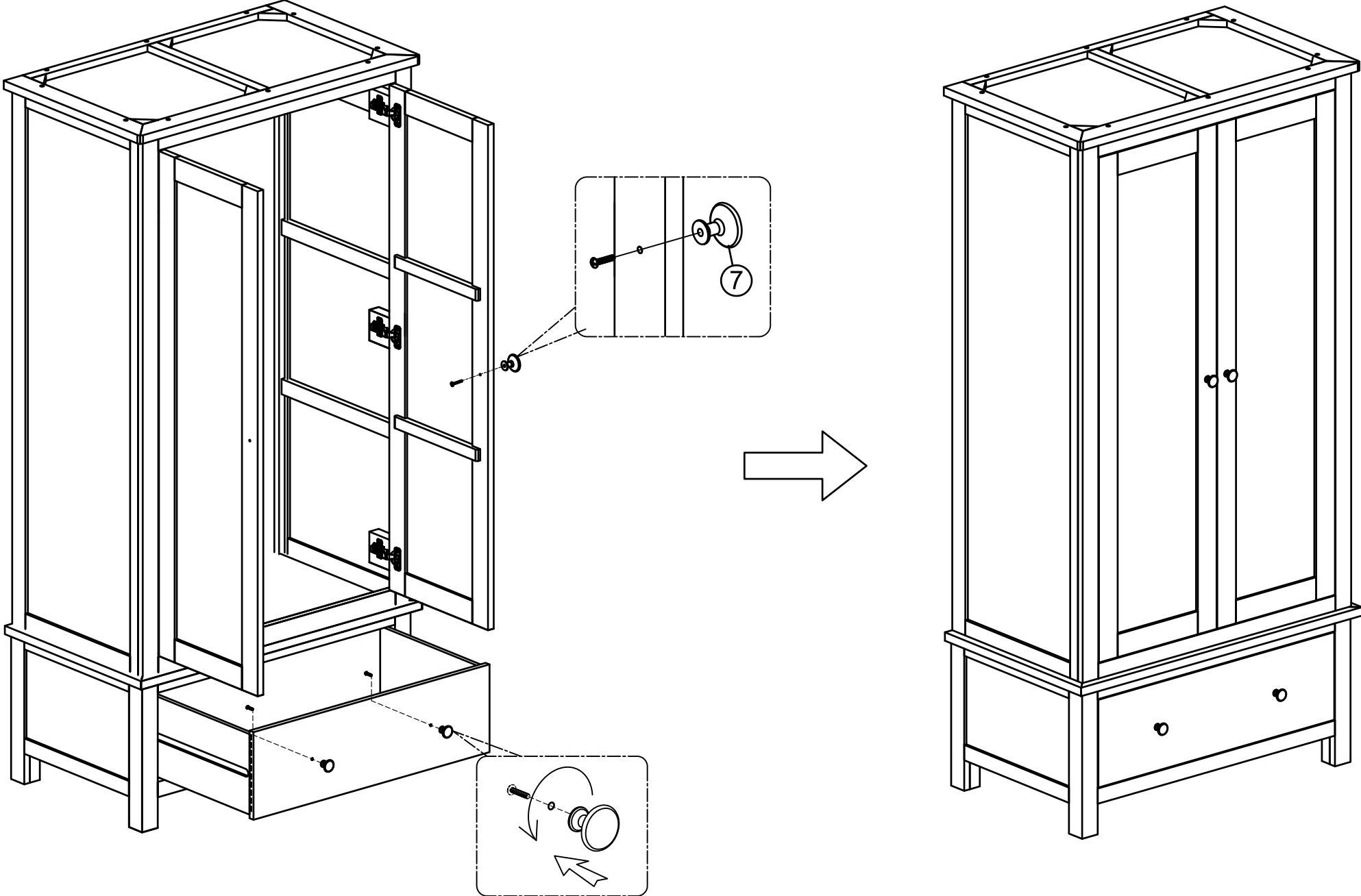


STEP 6

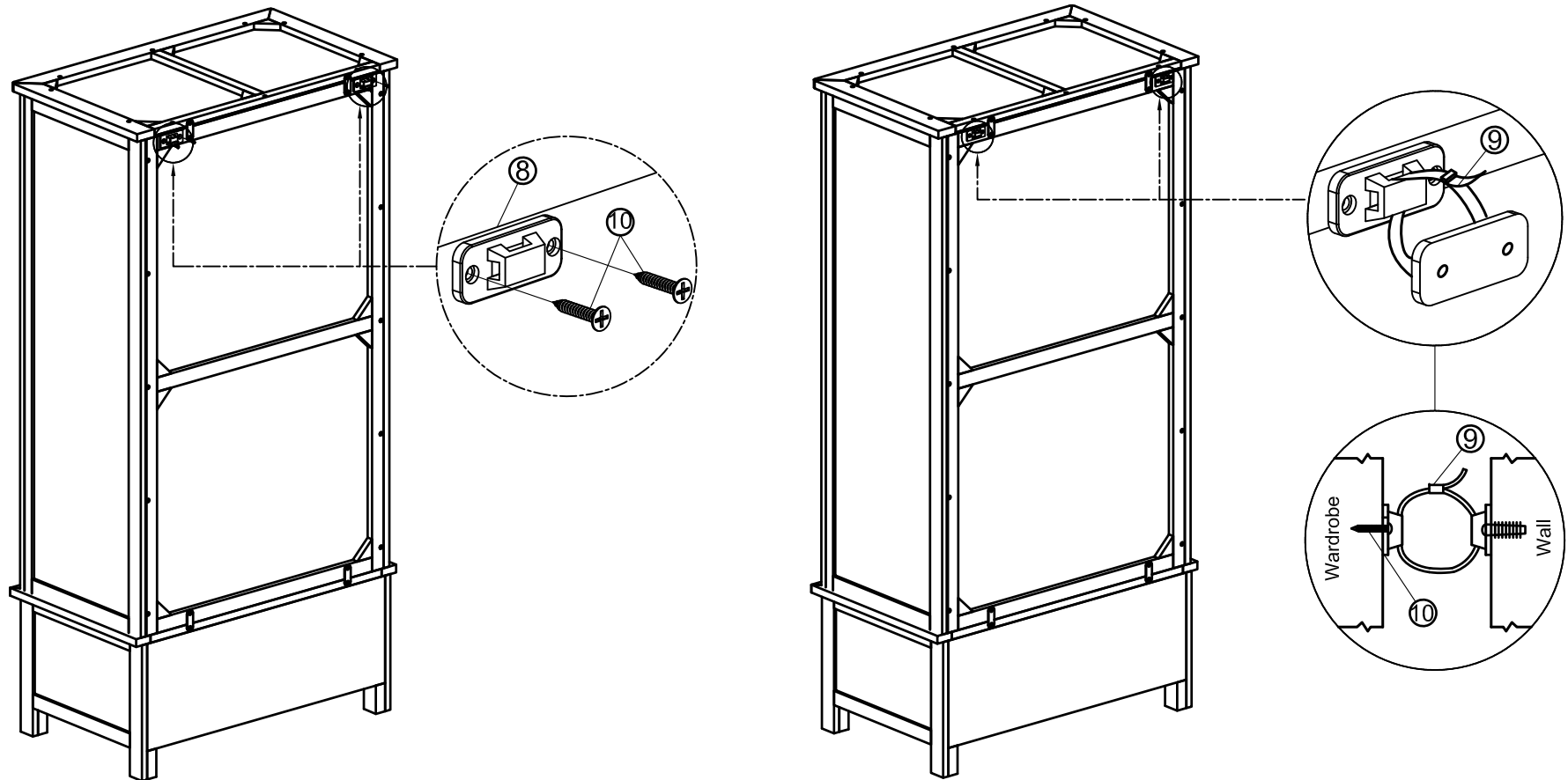


ASSEMBLY INSTRUCTION
G8718 - GENTS WARDROBE

STEP 7



FINAL



Wall fixings

This wall fixing is provided for your safety, and we recommend that once in position the unit is secured to the wall for extra stability

Wall fixings may vary depending on the item of furniture purchased.

Wall fittings are not provided as different wall types require different plastic plugs and screws.

Please ensure that you use fittings that are suitable for your wall type

Before drilling any holes in walls please check for hidden water and gas pipes or electrical wiring. If in doubt, please seek professional help.