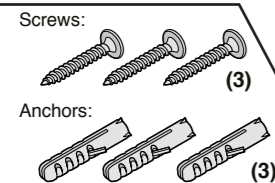


WHAT'S INCLUDED

1. Solar Panel
2. Adjustable Arm
3. Mount
4. Motion Sensor
5. Mode Switch
6. Ground Stake
7. Mounting Hardware

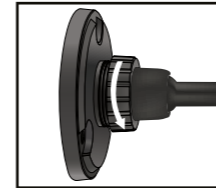


INSTALLATION

NOTE: PRIOR TO INSTALLING, BE SURE MODE SWITCH IS IN MOTION MODE.

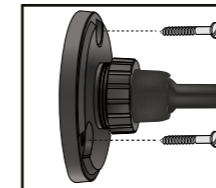
USING THE MOUNT

1. Remove the **Mount (3)** from Handy Brite™ by turning ring counterclockwise until it comes apart from unit.

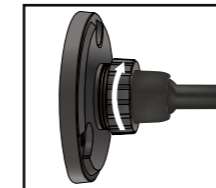


2. Hold the **Mount (3)** against your desired surface, and mark the holes with a pencil. Drill pilot holes when you are sure of placement.

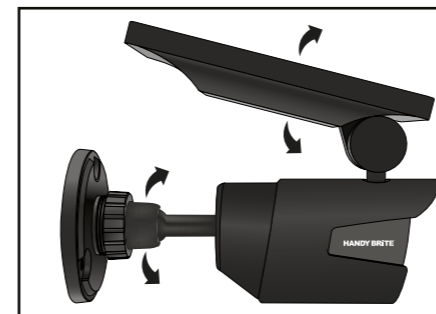
3. Attach the **Mount (3)** to the surface using the included hardware.



4. Position the arm of the Handy Brite™ over the **Mount (3)**, and twist ring clockwise until tight.



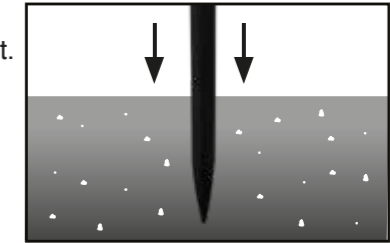
5. Adjust the angle of the light for best coverage, and adjust the solar panel to receive maximum light exposure.



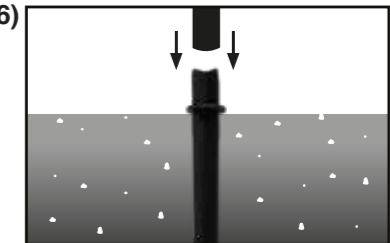
USING THE GROUND STAKE

1. Keep **Mount (3)** attached to your Handy Brite™

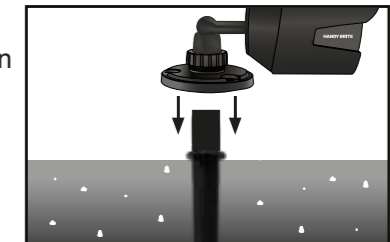
2. Insert the spike section of the **Ground Stake (6)** into the ground first.



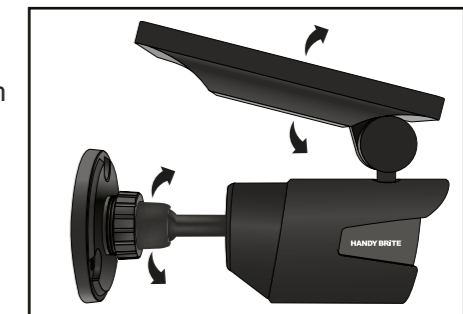
3. Attach top section of **Ground Stake (6)** on top of spike.



4. Position Handy Brite **Mount (3)** over the **Ground Stake (6)** and push down gently until secure.



5. Adjust the angle of the light for best coverage, and adjust the solar panel to receive maximum light exposure.



➔ USING HANDY BRITE™

NOTE: Be sure Handy Brite has at least 6 hours of sun exposure prior to first use.

- When dark outside, Handy Brite™ will automatically turn on when motion is sensed. It will remain on for 30 seconds after last motion detected.

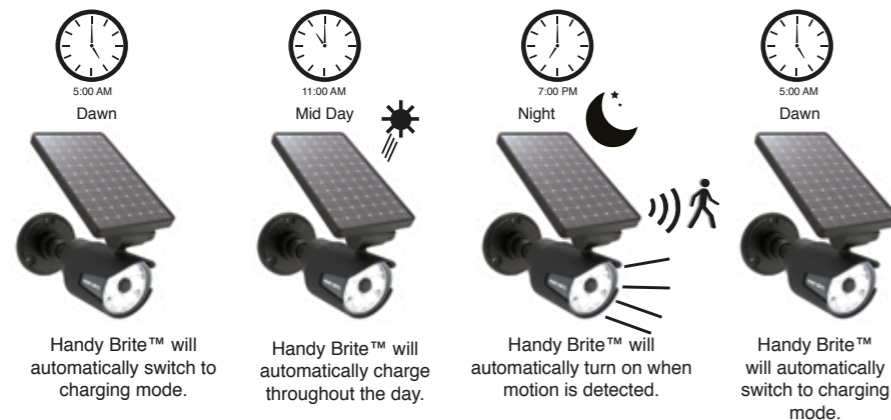
- During daylight hours, Handy Brite™ will not activate and battery will recharge.

- While Mode switch (Fig.1) is in **MOTION** mode – there will be a RED light that blinks from the front of the light. This simulates a security camera and will blink until motion activates the unit.



Fig. 1

EXAMPLE CHARGING AND USE CYCLE



TROUBLESHOOTING GUIDE

PROBLEM	CAUSE	SOLUTION
Light does not go on	Not enough charge	Make sure unit is installed where it can get maximum sun exposure for 5-6 hours
	Switch is in OFF position	Move the switch to the Sensor Mode position
	Unit is located near a strong light source	Make sure unit is installed away from any strong light sources, such as an existing outdoor light
	Unit is placed under trees	Move the spotlight to another open location
	Solar panel is dirty or covered up	Wipe the solar panel clean and make sure it is always free of debris

➔ WARNINGS

- This is not a toy. Keep away from children.
- Always ensure you use the most appropriate fixings for the surface you are attaching the Handy Brite Solar LED Spotlight Pro.
- Do not position in a way that it might cause distraction to road traffic vehicles.

➔ GUARANTEE

This product is guaranteed for one year against all defects of workmanship and materials. This guarantee does not affect your statutory rights. For refunds and replacements, please return the item to the retailer where you initially made the purchase. You will be required to provide proof of purchase. If you have any problems or queries about this product, please contact JML customer services.



Distributed in the UK by: JML, Unit 1 Eastside, Port of Tyne, South Shields, NE33 5SP.
 Distributed in the EU by: JML GmbH, Rheinstraße 3, 63225 Langen, Germany.
 Customer Services: UK: 0800 031 9020 (Freephone). ROI: 041-978 0003 (Local rate)
 Email: info@JMLgroup.co.uk. Web: www.JMLdirect.com
 ©JohnMillsLtd/HL/10.23/630/C. Made in China

Model No.: SPL22. Solar Panel: 5.5V, 300mA. Battery: 1 x 3.7V, 1800mAh, Li-ion, IPX4



USER GUIDE

HANDY BRITE™

Solar LED Spotlight Pro

Instruction Guide



**READ ALL INSTRUCTIONS PRIOR TO USE –
KEEP ALL INSTRUCTIONS.**

Thank you for your purchase of the Handy Brite™ Solar LED Spotlight Pro! This amazing solar panel charges during the day, powers on at night and never needs replacement batteries! The motion sensor is always standing guard ready to turn on at any sign of movement. Designed to look like a security camera, the Bright LEDs instantly light-up your yard, driveway, paths, back decks or patios.

➔ FOR BEST RESULTS

- Pick a location to install your light that gets a lot of sun exposure – avoid areas covered by trees or bushes.
- Night lighting results will vary based on weather conditions and hours of sunlight.
- Try not to install near existing lights. Handy Brite™ has a built-in night sensor – if other lights are on, unit will not function properly.
- If using the ground stake, install the spike (bottom) first, then attach top section.