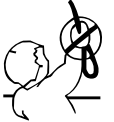


MINI VENETIAN BLIND

Please retain these instructions for future reference
Please read these instructions fully before operating the blind

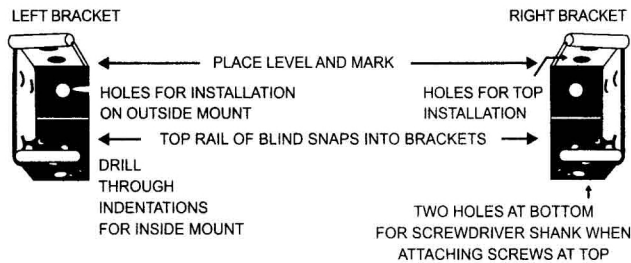
WARNING

Young children can be strangled by loops in pull cords, chains and tapes, and inner cords that operate window coverings. They can also wrap cords around their necks. To avoid strangulation and entanglement, keep cords out of the reach of young children. Cords may become wrapped around a child's neck. Move beds, cots and furniture away from window covering cords. Do not tie cords together. Make sure cords do not twist and create a loop.

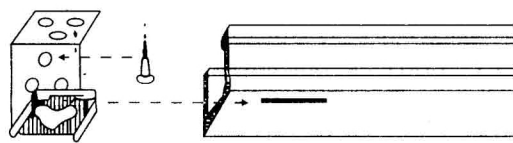


INSTALLATION INSTRUCTIONS

A) HOW TO INSTALL



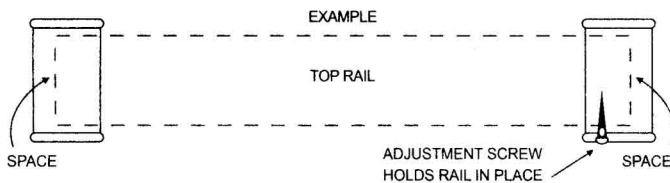
B) CENTER SUPPORT(S) ARE PROVIDED FOR WIDE BLINDS ONLY



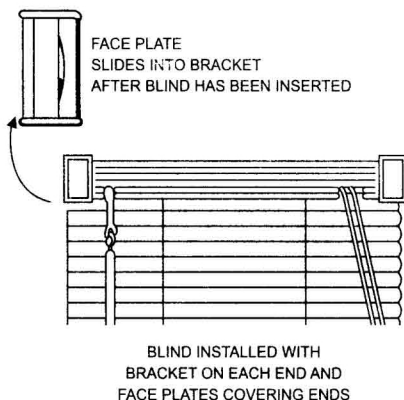
INSTALL METAL SUPPORT BRACKET WITH SCREW ON THE TOP OF WINDOW BOX, THEN INSERT THE BRACKET'S LIP INTO THE GROOVE ON TOP RAIL.

C) PLEASE NOTE!

TO ADJUST THIS BLIND TO FIT YOUR INSIDE WINDOW MEASUREMENT, PLEASE USE THE RIGHT HAND BRACKET AND THE RIGHT SIDE OF THE RAIL ALONG WITH THE SCREW PROVIDED TO SECURE THE BLIND IN PLACE.



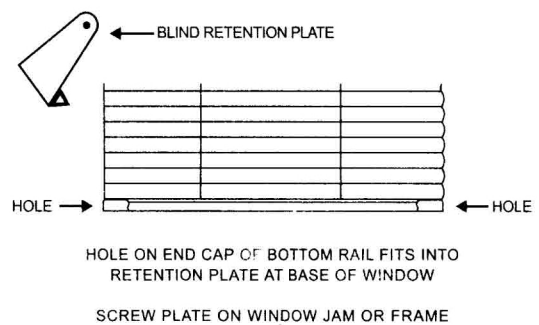
D)



HARDWARE INCLUDED

- Accessory bag contains.
- 10 - 19 Screws
 - 2 Brackets
 - 2 Holddown bracket
 - 1 - 3 Center supports (wide window only)
 - 1 Cleat hook

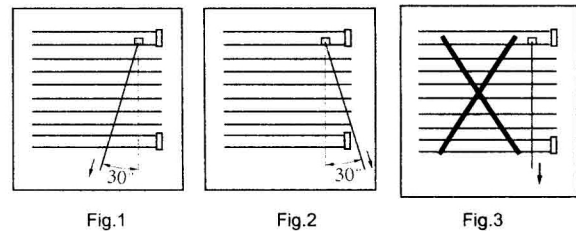
E) TO SECURE BLINDS AT BOTTOM OF WINDOW



TO SHORTEN

IF YOU CARE TO SHORTEN BLIND, REMOVE THE SNAP ON THE BOTTOM RAIL AFTER BLIND IS INSTALLED. PULL CORD UP AND OUT UNDER LAST OF NEW SIZE. REMOVE BOTTOM RAIL AND EXCESS SLATS. REPLACE BOTTOM RAIL. THREAD CORD THROUGH HOLE AND TIE OFF CUT LADDER STRING WITH ENDS LONG ENOUGH TO FOLD UNDER. REPLACE SNAP OVER CORD AND STRING ON BOTTOM RAIL.

TO OPERATE



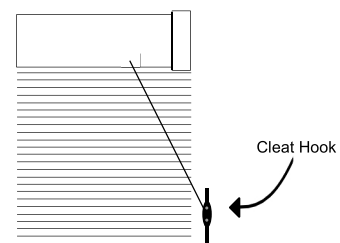
TO RAISE BLIND: Move cord to the left then pulling it down gently until cord lock releases. Pull cord leftward until blind reaches desired height (Fig.1), then move cord to the right and release (Fig.2), blind will lock automatically.

TO LOWER BLIND: Move cord to the left then pulling it down gently until cord lock releases. Allow cord to slip through fingers until blind reaches desired level. Move cord to the right and release, blind will lock in the desired position automatically.

WARNING: Do not pull the cord downward directly! (Fig.3)

FIXING THE CLEAT

You need to fix the cleat into an easy access position on the wall, out of reach of young children. Screw it into place using a the screws supplied. Wind the cord around the bottom of the cleat, then around the cleat in a figure of eight. This should be installed as close to the headrail as possible and in all cases not less than 1.5m from the floor.



NOTE: Check the condition of the cleat hook regularly and replace if faulty.