

FITTING INSTRUCTIONS

WHAT YOU'LL NEED

- PENCIL
- TAPE MEASURE
- DRILL AND 6MM BIT
- PHILIPS SCREWDRIVER

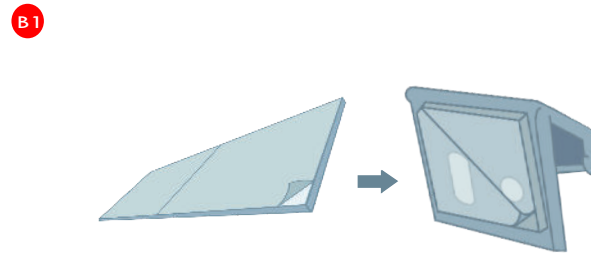
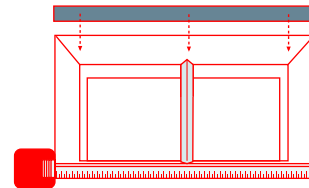
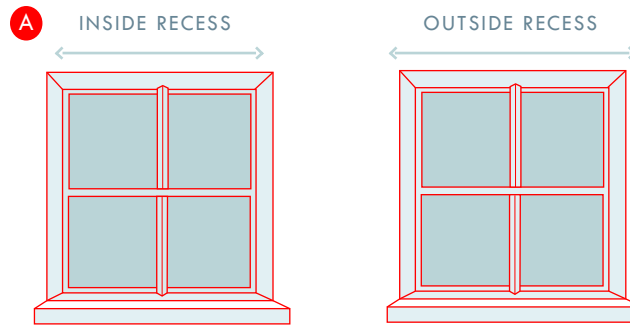
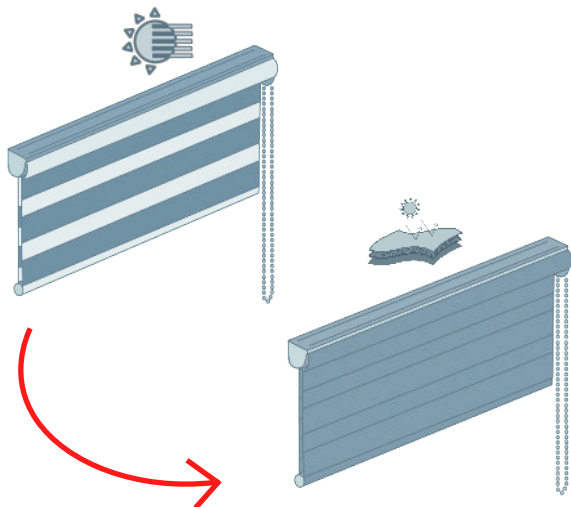
A DECIDE WHERE YOUR BLIND WILL FIT.

B APPLY THE STICKY PADS TO THE BACK OF EACH BRACKET (B1) AND APPLY LEVEL TO THE WALL WHERE YOU WANT TO FIT YOUR BLIND. SPACE THE BRACKETS ABOUT 15CM FROM THE END OF THE BLIND.

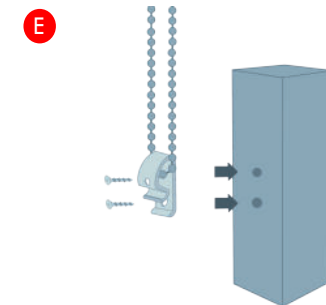
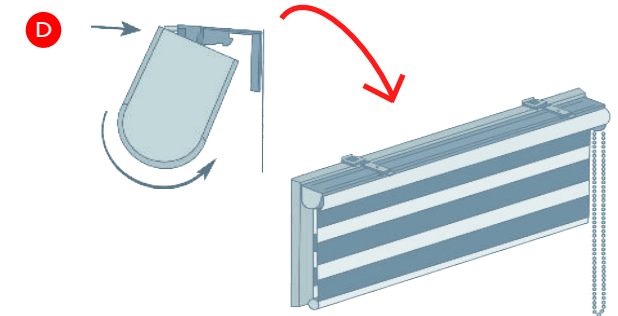
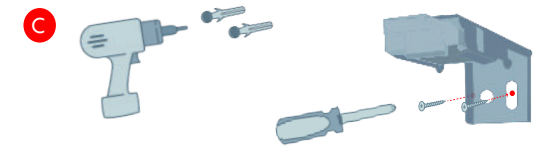
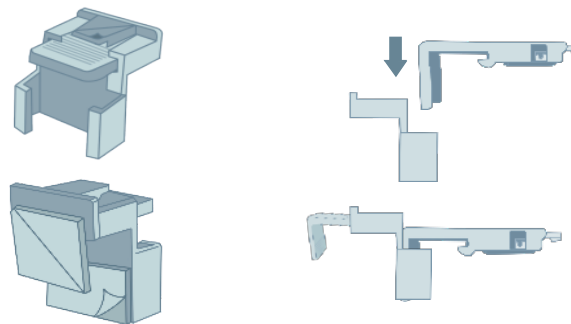
C CREATE YOUR HOLE WITH A 6MM DRILL BIT AND REMOVE THE BRACKET TO INSERT THE RAWL PLUG. REMOVE THE STICKY PAD AND SCREW THE BRACKET TO THE WALL.

D PLACE THE BLIND IN AT A 45 DEGREE ANGLE TO THE BRACKETS AND THEN ROTATE TO CLIP INTO THE BRACKETS.

E ATTACH THE SAFETY CLIP TO A WALL AND ENSURE THE CHAIN IS TIGHT AND WITHOUT SLACK.

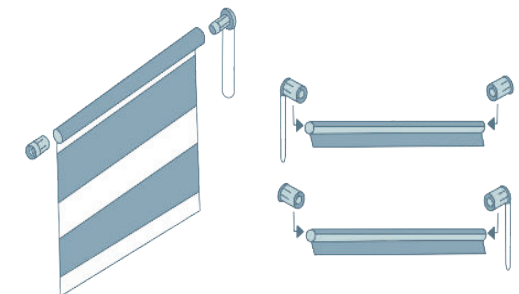


B2 IF YOU WISH TO ATTACH YOUR BLIND TO A DISPLAY BOARD FOLLOW THESE INSTRUCTIONS.



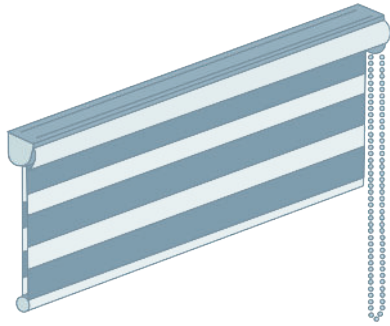
SAFETY CLEAR

ENSURE YOU USE THE WALL CLEAT PROVIDED TO TIE YOUR CORDS WHEN NOT IN USE. ENSURE THE CORDS ARE OUT OF REACH OF CHILDREN AND MOVE ANY FURNITURE



EASILY SWITCH SIDES TO SUIT YOUR WINDOW SPACE.

PACKAGE CONTENTS ARE DEPENDENT ON WIDTH OF BLIND



DAY AND NIGHT
BLIND 1

		UNDER 120CM	OVER 120CM
BRACKETS		2	3
EXTENSION BRACKETS		2	0
SAFETY CLIP		1	1
SCREWS + RAWL PLUGS		6	8
STICKY PADS		2	0

PLEASE NOTE:
THESE BLINDS ARE SUITABLE FOR FACEFIXING ONLY.
THEY ARE NOT SUITABLE FOR TRIMMING.

CAECUS BLINDS

DAY NIGHT BLIND FIXING INSTRUCTIONS

HOW TO FIT YOUR DAY NIGHT ROLLER BLIND



CAECUS BLINDS