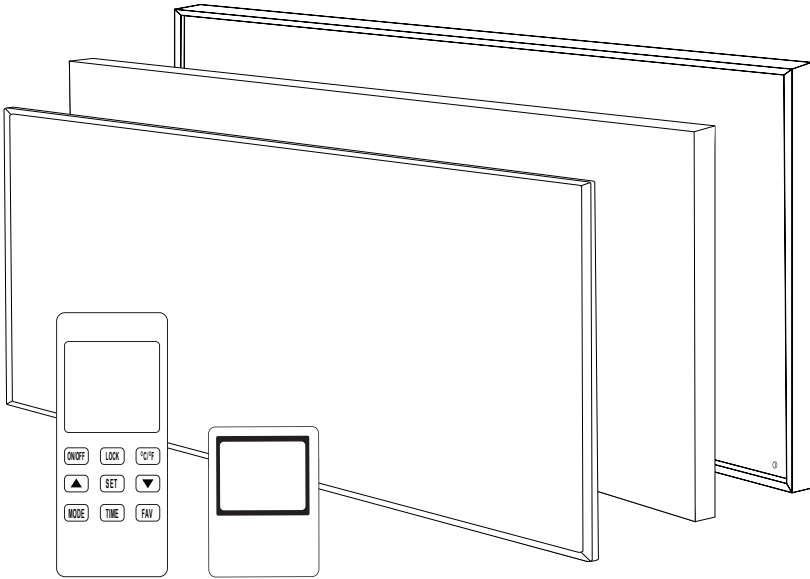


MIRRORSTONE

INFRARED HEATING

SUNHEAT IR PANEL HEATER MANUAL



Sunheat Classic | NXT Gen | Solis | Frameless



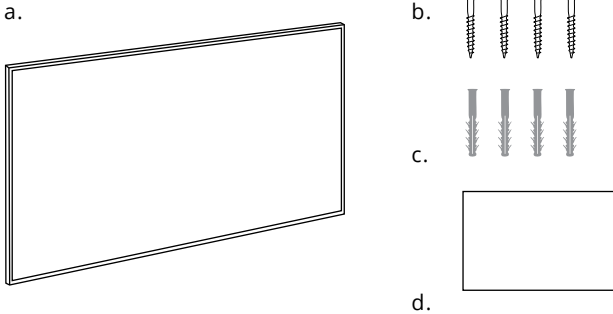
CE RoHS



CONTENTS

1. INCLUDED IN THE BOX	4
2. FEATURES	4
3. MODEL SPECIFICATIONS	5
4. WARNINGS & PRECAUTIONS	6
5. DEVICE STRUCTURE	7
6. BEFORE INSTALLING YOUR HEATER	7
6. MOUNTING & INSTALLATION	8
7. SUSPENSION KIT INSTALLATION	9
8. PANEL STAND INSTALLATION	11
9. NXT GEN PANEL HEATERS	12
10. OPERATION OF REMOTE & RECEIVER	13
11. LCD DISPLAY	13
12. GETTING STARTED	14
13. BASIC FUNCTIONS	14
14. ELECTRONIC TEMPERATURE CONTROL	15
15. TIMER & TEMPERATURE SETTINGS	15
16. ADAPTIVE START	16
17. OPEN WINDOW MODE	17
18. SOLIS WI-FI INFRARED HEATING PANELS	18
19. WIRELESS TEMPERATURE SENSOR	19
20. GETTING STARTED	20
21. CONNECTING THE SMART LIFE APP TO THE WIRELESS TEMPERATURE SENSOR	21
22. OPERATING THE SMART LIFE APP	25
23. RESETTING THE WI-FI PAIRING	29
24. MAINTENANCE & SERVICING	30
25. TROUBLE SHOOTING	30
26. THINGS TO BE AWARE OF	31
27. DISPOSAL	32

INCLUDED IN THE BOX



- a. - 1 x Sunheat Infrared Heater
- b. - 4 x Screws
- c. - 4 x Wall Plugs
- d. - 1 x Mounting Template

FEATURES

- This infrared panel heater is designed to provide an efficient, comfortable and healthy heating system for all domestic users and homeowners.
- This infrared panel heater can reduce air circulation and help create and maintain a clean, silent and dust free environment.
- All infrared panel heaters should be wall mounted. If you would like to mount the panel on your ceiling, either use a suspension kit with a minimum 50mm gap or install it in a suspended ceiling.
- A wide range of panels are available in varying sizes, wattages and frames.

MODEL SPECIFICATIONS

	Available Sizes	Rated Power	Amps	Heated Area
Sunheat	295mm x 595mm	180W	0.75A	2 - 3m ²
	595mm x 595mm	350W	1.46A	5 - 6m ²
	595mm x 995mm	580W	2.42A	9 - 10m ²
	595mm x 1195mm	700W	2.92A	11 - 12m ²
	Available Sizes	Rated Power	Amps	Heated Area
Frameless	600mm Diameter	280W	1.17A	4 - 6m ²
	595mm x 595mm	350W	1.46A	5 - 6m ²
	800mm Diameter	500W	2.1A	7 - 12m ²
	605mm x 1005mm	580W	2.42A	9 - 10m ²
	595mm x 1195mm	700W	2.92A	11 - 12m ²
	Available Sizes	Rated Power	Amps	Heated Area
NXTGEN / Image / Custom	295mm x 1195mm	350W	1.46A	2 - 3m ²
	595mm x 595mm	350W	1.46A	5 - 6m ²
	595mm x 995mm	580W	2.42A	9 - 10m ²
	595mm x 1195mm	700W	2.92A	11 - 12m ²
	795mm x 1195mm	900W	3.75A	15 - 16m ²
	995mm x 1195mm	1200W	5A	19 - 20m ²
	Available Sizes	Rated Power	Amps	Heated Area
Solis (Wifi)	595mm x 595mm	350W	1.46A	5 - 7m ²
	595mm x 995mm	580W	2.42A	7 - 12m ²
	595mm x 1195mm	700W	2.92A	11 - 18m ²

WARNINGS & PRECAUTIONS



No Covering



Do Not Touch

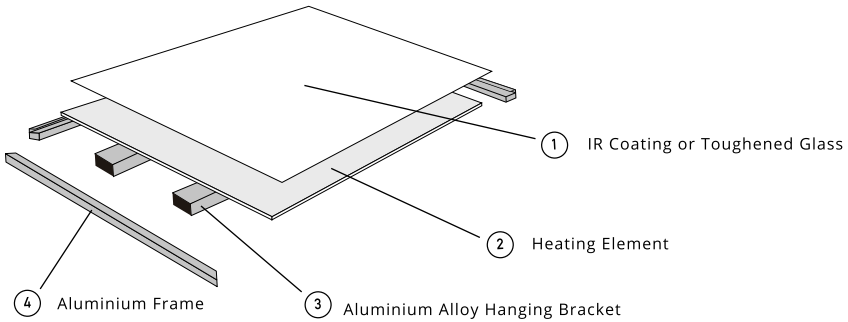


Do Not Spray

1. To prevent burns or injuries related to prolonged contact with the heating panel, children, those who suffer from sensitive skin, the elderly, the sick or those who are taking any medication that causes drowsiness should take extra care around the appliance.
2. Do not damage, destroy, change, bend, stretch or press the power cord, otherwise it may result in fire or electric shock.
3. Ensure that the usage voltage remains between 220-240V, 50Hz and that the power supply is grounded.
4. The heating panels will draw more current than small appliances when in operation, and will require a separate 5A socket as a result.
5. Keep the heating panel away from flammable products to prevent the risk of fire.
6. Please ensure that there are no objects placed within 30cm of the front of the panel, and within 10cm of the sides of the panel.
7. Please ensure that the panel is not mounted directly to the ceiling, unless you have a suspended ceiling. For all other ceiling installations, a suspension kit must be used with a minimum gap of 25cm between the panel and ceiling.
8. Please do not jump or stand on the panel, or apply strong pressure to it.
9. Never cover the heater with any materials that retain heat well, such as towels, quilts or carpets, etc.
10. Be sure to unplug the power cord from the mains in the event that you need to clean the heating panel, and wait until it has completely cooled down. Please ensure that you use a dry cloth, and avoid using gasoline or acetate on the appliance.

DEVICE STRUCTURE

Device Structure (Structure will vary depending on the model purchased)



BEFORE INSTALLING YOUR HEATER

- This infrared panel heater is designed to provide an efficient, comfortable and healthy heating system for all domestic users and homeowners.
- This infrared panel heater can reduce air circulation and help create and maintain a clean, silent and dust free environment.
- All infrared panel heaters should be wall mounted. If you would like to mount the panel on your ceiling, either use a suspension kit with a minimum 50mm gap or install it in a suspended ceiling. A wide range of panels are available in varying sizes, wattages and frames.

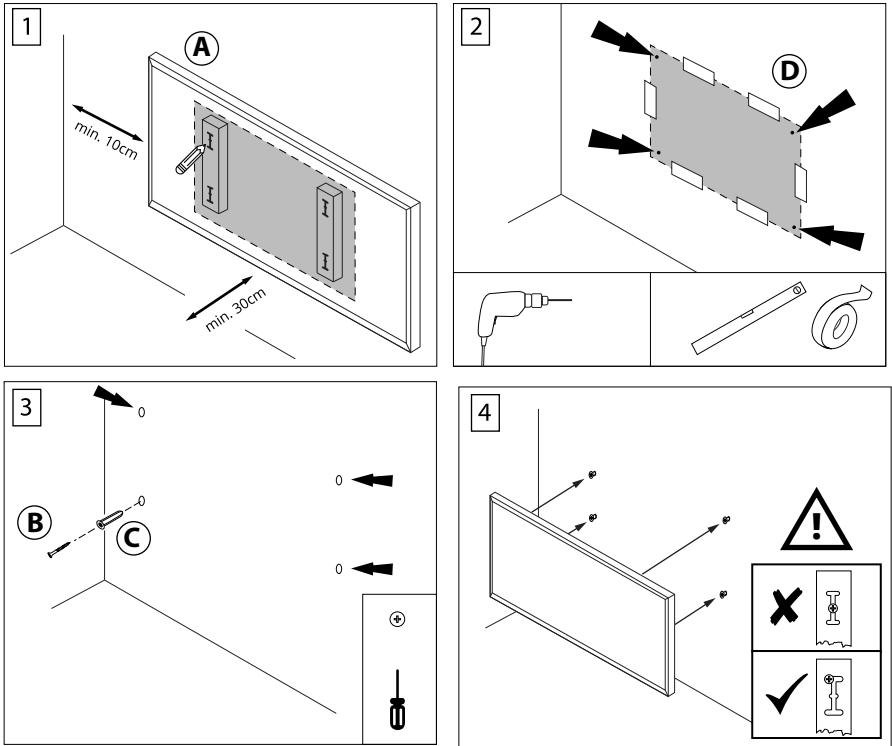
Length (m) x Width (m) x Height (m) = Volume (m³)

For well insulated properties: Volume (m³) x 25 = Wattage Requirement

For moderately insulated properties: Volume (m³) x 30 = Wattage Requirement

For poorly insulated properties: Volume (m³) x 35 = Wattage Requirement

MOUNTING & INSTALLATION

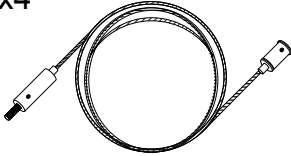


1. Use the supplied paper to cover the back of the panel, and use a pencil to mark the locations of the holes.
2. Use some adhesive tape to fix the paper onto the wall or ceiling. Use the template to drill the holes.
3. Insert the wall plugs into the holes.
4. Insert the screws into the wall plugs. The screws should protrude from the wall by around 5mm.
5. Mount the panel onto the 4 screws.

SUSPENSION KIT INSTALLATION

Suspension kits (sold separately) should only be used for ceiling installations, and if there is no suspended ceiling.

Ax4



B1x4



B2x4



4 x Suspension Cable (A)

4 x Wall Plugs (B1)

4 x Screws (B2)

Please note that if you would like to install your panel on your ceiling, you must use a Suspension Kit and leave a minimum of 50mm clearance between the ceiling and panel.

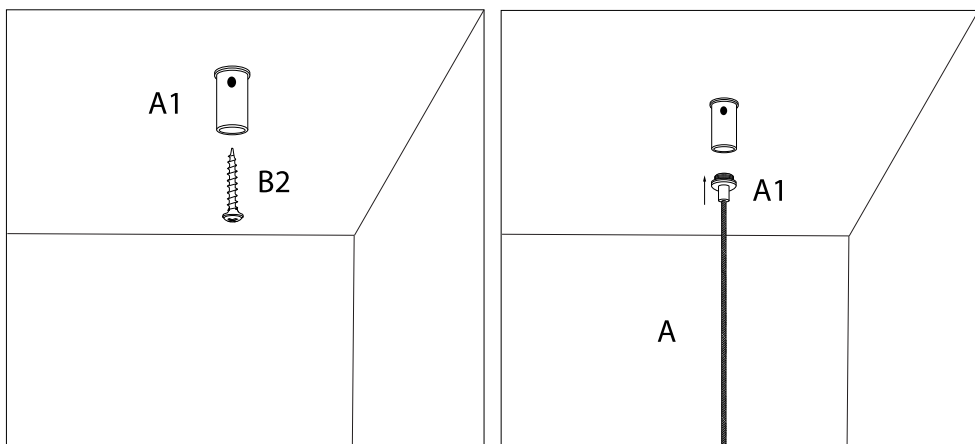
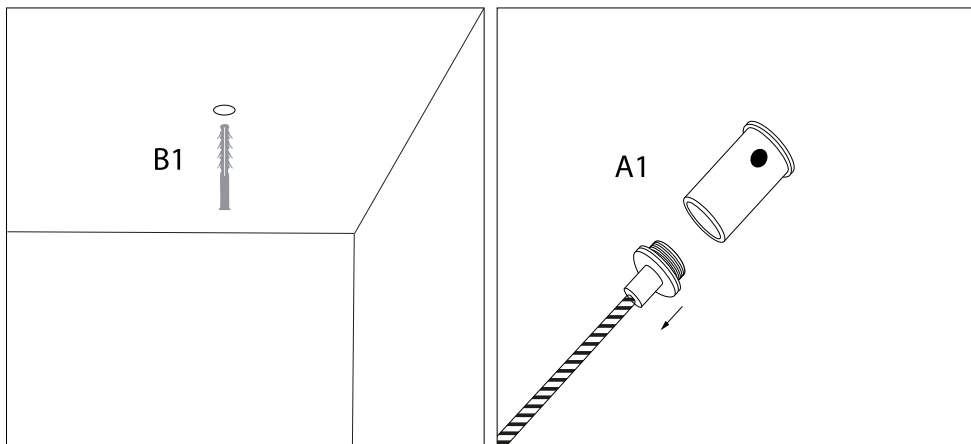
You **must not** install the panel directly onto the ceiling.

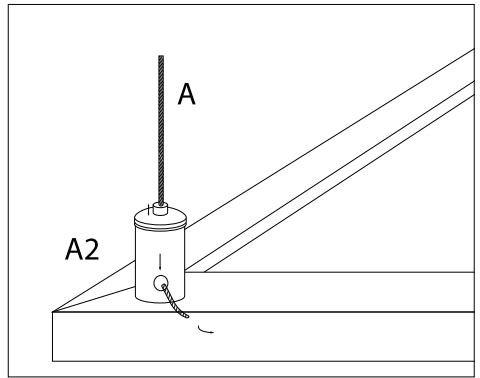
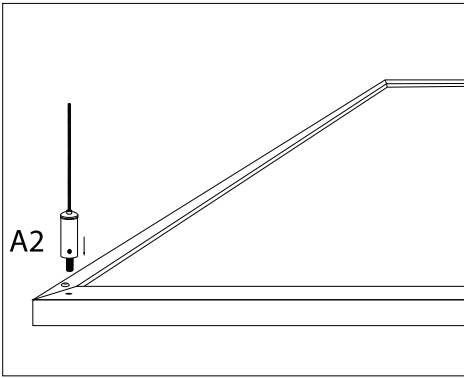
Suspension kits (sold separately) should only be used for ceiling installations, and if there is no suspended ceiling.

Your Suspension Kit will also come with 4 x Nuts, but these are not required for installation.

1. Having drilled into your ceiling, insert the Wall Plug (B1) into your ceiling.
2. Take the end of the Suspension Cable (A1) that does not have the screw protruding from the cylinder, and unscrew the cable from the Cylinder Head.
3. Feed the Screw (B2) through the end of the Cylinder Head, so that it sticks out of the end of the Cylinder Head.
4. Insert the Screw (B2) into the Wall Plug, so that the Cylinder Head is now fixed into the ceiling.
5. Taking the end of the Cable (A1) that was unscrewed in step 2, now screw it back into the Cylinder Head that is affixed onto the ceiling. The Cable (A) should now be affixed to the ceiling.

6. Remove the screws from the back of the frame of the Heating Panel.
7. Take the loose end of the Cable (A2), and screw it into the holes that are now in the back of the frame of the Heating Panel.
8. Repeat steps 1 to 7 for the other 3 remaining Cables (A)

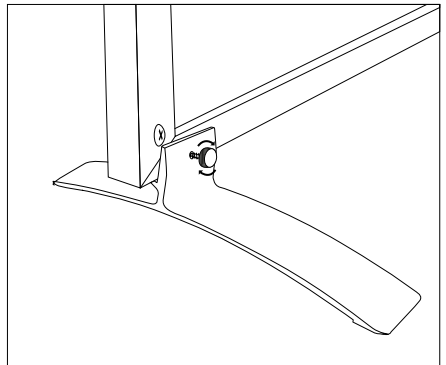
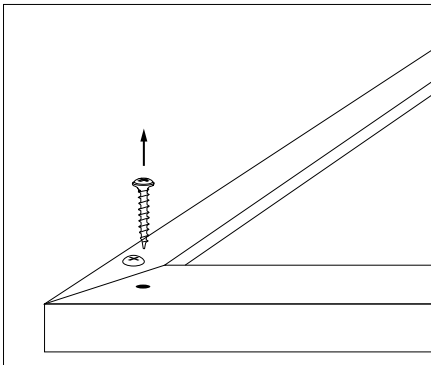




PANEL STAND INSTALLATION

The Panel Stand (sold separately) allows you to have your heater free-standing on the floor, and can also be moved from room to room too.

1. Remove the two screws along the bottom of the frame at the back of the panel.
2. Place the Panel in the slot on the top of the Panel Stand, and turn the screw at the back of the Panel Stand so that it goes into the hole left behind by the screw you removed in Step 1.
3. Repeat for the second Stand.



NXT GEN HEATING PANELS

*NXT Gen Remote and NXT Gen features ONLY available with NXT Gen panels, Image panels and Custom Image panels.

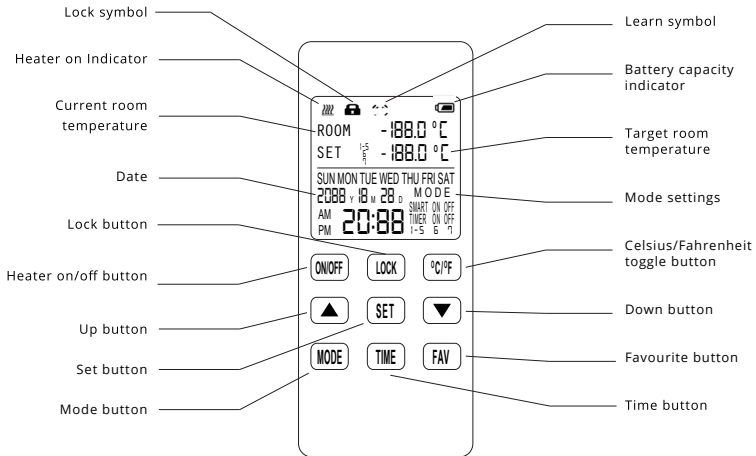
REMOTE CONTROL

- Battery powered: DC 3V (2 x 1.5V AAA Batteries, not included).
- Power consumption: 3V, 0.1mA.
- Dimensions: 135mm length x 56mm width x 18mm depth.
- Weight: 86g.
- Thermostat target temperature range: 0°C – 45°C (32°F – 113°F).
- Temperature resolution: $\pm 1^{\circ}\text{C}$.
- Thermostat current temperature range: 1°C – 45°C (Displayed at 0.1°C increments).
- Accuracy of measured temperature: $\pm 0.5^{\circ}\text{C}$.

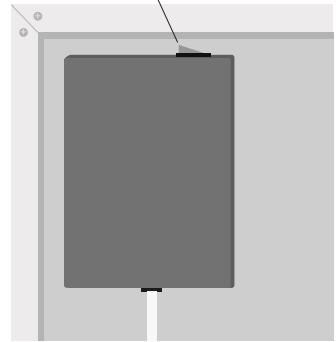
BUILT IN RECEIVER

- Power supply: AC 220-240V, 50/60Hz
- Power consumption: 0.4W
- Integrated rocker switch: remote control override

OPERATION OF REMOTE & INTEGRATED RECEIVER



Green remote control on/off switch (remote will be in operation when this switch of OFF)



LCD DISPLAY

- The “” symbol indicates when the IR Panel is beaming out heat.
- The “” symbol indicates that the buttons on the remote controller are locked.
- The “” symbol indicates when the heater is ‘learning’ the difference between your current room temperature and your target room temperature when Adaptive Start is on.
- The “” symbol shows you the current battery level. It will begin to flash when the battery level is low. At this point, you will need to replace the batteries in the remote.

GETTING STARTED

- Included with each panel is a remote controller with an LCD digital display. This features an integrated room temperature sensor located at the top of the remote.
- At the back of the panel itself is the integrated receiver that communicates with the remote controller. On this receiver is a green rocker switch. This is the remote override switch – so when it is in the Off position, the remote will be in operation, and when it is in the On position, the remote will not work.
- Upon plugging in your IR Panel, the heater will switch on. Ensure that the green switch on the receiver is in the Off position.
- Insert 2 x AAA batteries into the remote, and press the 'On/Off button' to switch the remote on.
- To pair the remote with the panel, hold down the 'Mode button' and '°C/°F button' together for 3 seconds. You will hear a beep from the receiver on the back of the panel upon successful pairing.
- You can repeat this process to pair the same remote to multiple heaters.
- When the green switch is on, the remote control will not work and the panel will be constantly on.

BASIC FUNCTIONS

- Press the 'on/off button' to switch the heater on or off.
- Press the 'C/F toggle button' to change between Celsius and Fahrenheit temperature displays.
- Hold down the 'Lock button' for 3 seconds to lock the remote, and hold it again for 3 seconds to unlock the remote.
- Set the year, month and day by holding down the 'Time' button.

Use the 'Up' and 'Down' button to change the year, and then press the 'Time' button again to confirm. You can then select the month using the 'Up' and 'Down' button, confirming your selection using the 'Time' button. Repeat this until you've set the correct date and time.

- Holding down the 'Mode' button for 3 seconds allows you to toggle the Timer functions and Adaptive Start using the 'Up' button and 'Down' button, confirming your choices using the 'Mode' button. The numbers '1-5' that flash on the bottom right of the display refer to Monday-Friday. '6' refers to Saturday and '7' refers to Sunday.
- Pressing the 'Favourite button' will change the target room temperature to the favourite temperature. By default, this is set to 20°C.

ELECTRONIC TEMPERATURE CONTROL

- Using the 'Up' and 'Down' buttons, you can change the temperature that you would like your room to be. The temperature next to
- 'Set' on the LCD screen will tell you your current target temperature.
- The current room temperature as measured by the sensor will be displayed next to 'Room' on the LCD screen.
- If the current room temperature is less than the target temperature by 0.5°C or more, then the panel will switch on.
- Conversely, if the room temperature is higher than the target temperature by 0.5°C or more, then the panel will switch off.

TIMER & TEMPERATURE SETTINGS

- Hold down the 'Set button' for 3 seconds, this will let you set the

timer and temperature settings. Initially, you will be able to set the time you would like the heater to switch on for Monday to Friday (indicated by the flashing '1-5' on the LCD display) – press the 'Up button' to adjust the hours, and the 'Down button' to adjust the minutes (in 15 minute increments).

- When you're done, press the 'Set button'. You can now set the time you would like the heater to switch off from Monday to Friday using the same method described above.
- Once you're done, press the 'Set button'. You can then set the temperature for Monday-Friday using the 'Up button' and 'Down button'.
- Pressing the 'Set button' will allow you to use the same process to set the time and temperature settings for Saturday and Sunday (indicated by the flashing '6' and '7' respectively).
- You can then set whether you would like your Adaptive Start on or not, along with your desired temperature using the same methods. The section titled "Adaptive Start" details how this works.
- Once this is done, you can set your favourite temperature using the 'Up' and 'Down' buttons. Press 'Set' one last time to finish your settings.

ADAPTIVE START

- Adaptive Start switches your panel on early so that your room is up to temperature at the time you set, by measuring the room temperature 3 hours before the start time, and calculating how long it will take the room to warm up.
- So for example, if you have set your heater to switch on at 8:00am at a temperature of 21°C using the Smart Start, it will monitor the room temperature at 5:00am.

- Let's say your room temperature at 5:00am is 14°C, it will calculate the time it takes to get your room from 14°C to 21°C, and switch the panel on accordingly. It does this by adding 6 minutes for every degree Celsius required.
- As the heater needs to raise the room temperature by 7°C (the difference between 14°C and 21°C), it will account for 42 minutes (6 minutes for every degree Celsius, which in this case is 7), therefore switching your panel on at 7:18am (42 minutes before your on time of 8:00am).
- Provided your IR Panel is on at the mains, has the red switch in the on position and the green switch in the off position, the panel and remote controller will switch on and off according to your Timer and Smart Start settings.

OPEN WINDOW MODE

- Inside the remote is an open window detection function. This is designed to minimise your energy consumption by switching your IR Panel off when it detects an open window.
- When the remote control detects a drop in temperature by 1.5°C or more within a 3 minute period, it will switch the IR Panel off – as having a heater on with an open window is incredibly inefficient.
- When the remote control detects a rise in temperature by 1.5°C or more within a 3 minute period, it will resume normal operation as a result of a closed window.

RESETTING YOUR REMOTE PAIRING

In some cases, you may want to unpair your remote from your NXT Gen IR Panel. Please follow the steps below to unpair your remote.

- Hold the power button down on the remote for 5 seconds, or until the display on the remote disappears.
- Turn the heater off at the mains, leaving the switch on the heater as it is.
- Remove the batteries from the remote and wait for 10 minutes.
- Turn the heater back on at the mains.
- Follow the remote pairing process again.
- If this does not work, try the above steps but whilst leaving the heater on at the mains during the 10 minute period.

SOLIS WI-FI INFRARED HEATING PANELS

*Wireless Temperature Sensor ONLY available with Solis Wi-Fi IR Heating Panels.

INTERNAL RECEIVER TECHNICAL SPEC

Power Supply: AC220-240V

Wireless Standard: IEEE802.11b/g/n

Frequency Range: 2.412-2.484GHz

Security Protocol: WEP/WPA-PSK/WPA2-PSK

Encryption Protocol: WEP/TKIP/AES

Standby Power Consumption: <0.8W

Working Environment: Temperature: -5 – 50°C,

Humidity: 10% - 95%

WIRELESS TEMPERATURE SENSOR TECHNICAL SPECS

Power Supply: DC 3V (2 x 1.5V AAA batteries, not included)

Power Consumption: 3V, 0.1mA

Temperature Display Range: 0°C – 50°C (32°F – 113°F)

Humidity Display Range: 10% - 99%

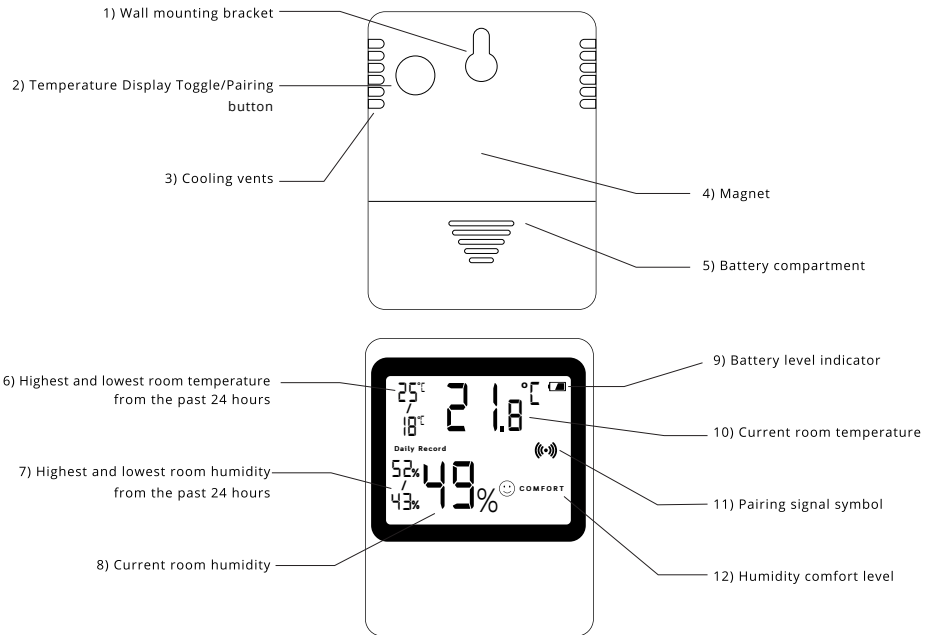
Radio Frequency: 433.92MHz

Wireless Temperature Sensor Range: 5m

Dimensions: 75mm x 60mm x 16mm

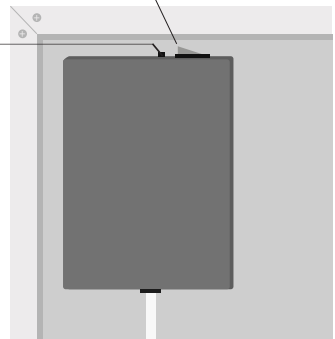
Weight: 55g

WIRELESS TEMPERATURE SENSOR



The green switch toggles the override for the wireless temperature sensor on and off (when the switch is on, the override is on and the wireless temperature sensor will not control the panel).

WiFi Reset Button



GETTING STARTED

- Insert 2 x AAA batteries into the back of the wireless temperature sensor.
- Power your heater on at the mains and ensure that the remote override switch is in the OFF position. The receiver at the back of the panel will beep once.
- Press and hold the Pairing button at the back of the wireless temperature sensor until you hear a long beep from the receiver. This means that the wireless temperature sensor and panel have successfully been paired together.

Please note that you must pair the sensor and the panel within 3 minutes of the receiver beeping. If 3 minutes has passed and you have not paired the panel, you must power the panel off and back on to restart the pairing process.

- If you are installing more than one heater in a room, and want to pair a single sensor to multiple panels, this can be done by simply repeating the process explained in step 3. Alternatively, you can also power on all the panels and pair them all at the same time simultaneously.
- Once paired, the sensor will display various pieces of information on the LCD screen. On its top half you will see the current room temperature, and to its left you will see the highest and lowest temperature it has recorded from the past 24 hours. On the bottom half of the screen, you will see the current room temperature, and to its left you will see the highest and lowest humidity it has recorded from the past 24 hours. To its right, you will see an icon indicating the comfort level – below 35% is dry, 35% to 65% is comfort, and higher than 65% is wet.
- Keep the wireless temperature sensor in temperatures between 0°C and 50°C, otherwise the LCD screen could display incorrectly and cause errors.

CONNECTING THE SMART LIFE APP TO THE WIRELESS TEMPERATURE SENSOR

- Connect your smartphone or tablet to your Wi-Fi network. (The wireless network must be 2.4GHz. All Wi-Fi routers have a 2.4GHZ band, however, some newer routers are dual band with both 2.4GHZ and 5GHz. When scanning your available networks, if you see a single network belonging to you, then this will be the correct 2.4GHZ band. If you see two networks, the 2.4GHz band will have 24G, 2.4, 24 or something similar in the name, whilst the 5GHz network will have 5, or 5G in the name).
- Scan the QR code below using your phone or tablet to download the Smart Life app, or simply search 'smart life' in your app store. The icon for the app is displayed below.



- If you don't already have an account, set one up using either your phone number or email address by clicking register. Keep your password in a safe place.

- At this point, you will need to put your heater into pairing mode. You can do this by pressing and holding the Wi-Fi Reset Button on the back of the panel for 5-10 seconds. The LED light on the front of the panel will begin to blink rapidly. This means your heater is ready to be paired.
- Once the app is set up on your phone or tablet, the app should find the Bluetooth connection automatically, and ask you for your Wi-Fi network password. After this, your panel should be paired to the Smart Life App.
- If the pairing does not begin automatically, you can click "Add Device" in the centre of the screen, or the "+" icon in the top right corner.
- Select 'Small Home Appliances' on the left, and then 'Heater (Wi-Fi)'.
- Next, you will need to input your Wi-Fi network password. Press confirm to continue.
- Back on your smartphone or tablet, the app should begin to look for your heater, and should connect within 20-30 seconds. Once connected, you can name your heater, for example "Living Room Heating Panel".
- If the connection times out on your app, please repeat the process from step 4 onwards, by adding a new device.



OPERATING THE SMART LIFE APP

The Smart Life app allows you to control your Infrared Panel wirelessly via your smartphone or tablet, whether you are at home or not. Here, we will go through how to use the app, and all the different ways you can control your heating.

Configuring Personal and Home Settings

- When you start the app, you will see a list of all your connected devices.
- By clicking “Me” in the bottom right corner, you can configure some basic settings.
- Clicking the top area where you see your registered email or phone number (Fig. 8) takes you to the Personal Centre, where you can edit your Profile Photo, Nickname, Account Settings, Temperature Unit and Time Zone.
- Beneath that, clicking on Home Management allows you to set up your Home settings.

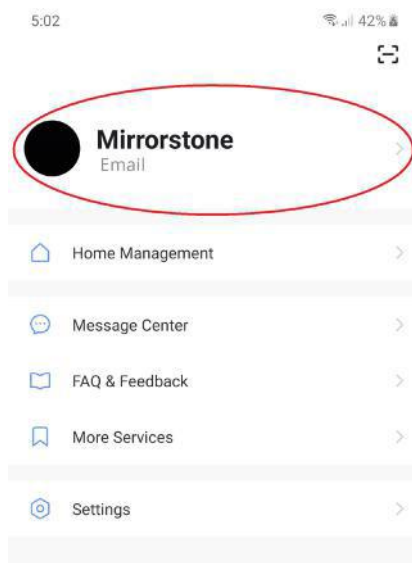


Fig. 8

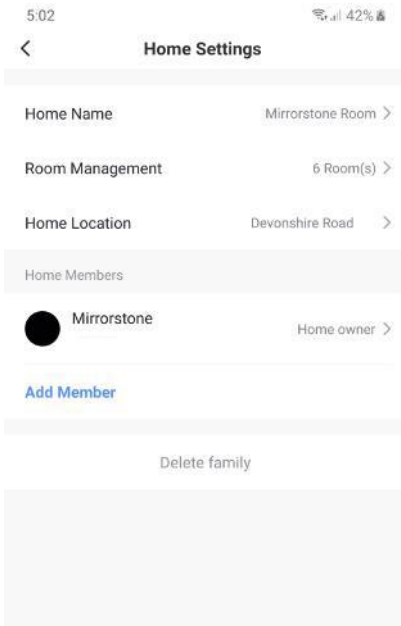


Fig. 9

- You can designate your home a name, configure its rooms, add a geo-location so that the app can give you weather updates, and add family members (Fig. 9).
- To add a family member, click “Add Member”.
- Set their name and region before providing the email or phone number that they have their Smart Life account set up under (if they do not have the Smart Life app, they will need to download the app on their device and create a separate account).

- Finally, you can set their admin rights by giving them either “Administrator” or “Common Member”. Administrator gives them the same rights that you have, whilst Common Member allows them to only control the heating device and use the smart settings.
- When you are finished, click Save in the top right corner, and they should receive an invite on their device.

Configuring Your Heater

- Go back to the main menu by clicking Home, and click the heater that you would like to control. You will now see the control menu for the heater.
- Clicking the pen icon in the top right allows you to configure various settings for the heater itself (Fig. 10).

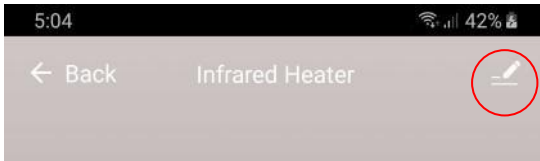


Fig. 10

- Clicking the pen icon again near the top right allows you to change the icon for the heater, the name and the location (though the location settings will be dependent on whether you have set up your home and rooms in the “Me” section).
- You can also link the app to Alexa or Google Assistant. If you do wish to do so, full instructions on how to link them are provided in the Smart Life app.
- By scrolling down and clicking on “Share Device”, you can invite individual users to control your heater (bear in mind this is separate to your family user settings).
- Beneath this option, you can click “Create Group”, where you can combine multiple heaters into a single group, and control them all simultaneously (Fig. 11).
- Finally, if you wish to remove the device, you can scroll all the way down to the bottom and click on “Remove Device”.

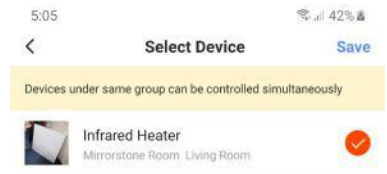


Fig. 11

Controlling Your Heater

- On the main control menu, you will see the current room temperature in the middle of the orange circle (Fig. 10). Beneath that, you will see your desired target temperature. Use the “+” and “-” buttons to adjust this up and down accordingly. If the target temperature is higher than the current room temperature by 0.5°C or more, it will switch on, and if the target temperature is lower than the current room temperature by 0.5°C, it will switch off.
- The Power button on the bottom left switches the heater on and off. When the heater is on, the LED indicator will be coloured blue, and when the heater is off or not emitting any heat, the LED indicator will be coloured red.
- Clicking the Weekly button lets you set multiple on and off times on different days of the week. Simply click the day for which you would like to edit the timer settings, press the “Add the timing” button at the bottom of the screen, and pick which time you would like it to come on, whether you would like the panel to switch on or off at this time, and finally what temperature you would like the room to be at this time (Fig. 12). When you are done, click Save in the top right corner.

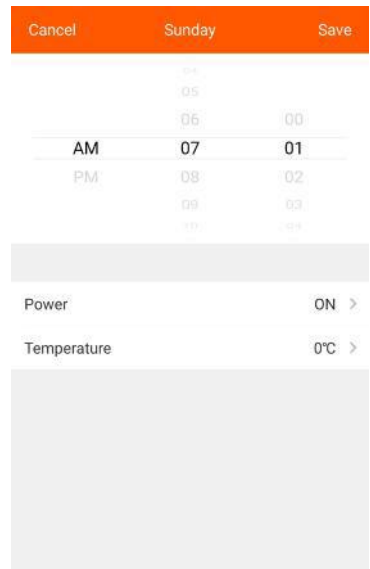


Fig. 12

- Clicking the Timer button allows you to define a set period of time in hours that you want your panel to be on for, after which it will switch off (Fig. 13). Ensure that the green toggle button is switched on, and when you're done, click OK at the bottom of the screen.

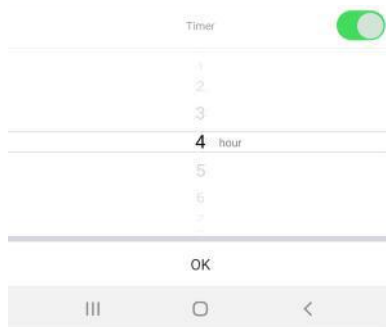


Fig. 13

- Clicking the Temp button near the bottom right of the screen switches between Celsius and Fahrenheit units.

RESETTING THE WI-FI PAIRING

- Press and hold the Wi-Fi reset button at the back of the panel for 5-10 seconds.

Other Important Notes

- Once your Smart Life app is connected to the wireless temperature sensor, the red light will always be on unless the mains supply is off (in which case the LED will be off), or when the panel is emitting heat (in which case the LED will be blue).
- When the LED light is completely off, it means the panel has no power. Either the mains power is switched off, or the power switch at the back of the panel is switched off.
- If there is a delay between the Smart Life app connecting to the wireless temperature sensor, and the LED lighting up red, this is completely normal, as the heater takes time to establish its network connections.
- Do not mount the wireless temperature sensor close to any hot or cold source (like another heater or a window), as this will interfere with the operation of the infrared panel.

- Do not cover the wireless temperature sensor with anything.
- Do not store the wireless temperature sensor in a pocket, drawer, under a pillow, cushion, or any other enclosed environment.
- Keep the wireless temperature sensor in an open environment.
- Keep the wireless temperature sensor away from any liquid or water.
- The heater should be unplugged from the mains if it is not used for prolonged periods of time.

MAINTENANCE & SERVICING

1. This infrared heating panel requires no servicing, and very little maintenance.
2. When cleaning any Classic, Frameless, NXT Gen, Glass or Mirror IR Panel, you can use a damp cloth and gently wipe the surface of the panel.
3. When cleaning any Image or Custom Image IR Panel, use a dry cloth to gently wipe the surface of the panel to prevent any damage to the ink.
4. Those who aren't qualified electricians or aren't authorised by the manufacturer are forbidden to dismantle or repair the panel, otherwise it may cause fire, electric shock or other accidents.

TROUBLE SHOOTING

Symptom	Cause/Solution
The heater will not turn on.	Double check that the heater is connected to a power source, and that there is no damage to the flex cable.
	Try connecting a working electrical appliance to the same socket to determine the circuit is working.
	If the heater has a manual on/off switch, check that it is in the 'on' position.
	If your heater utilises a remote control, ensure that the batteries have not ran flat by swapping in new batteries.
There is a strange smell coming from the heater.	This is normal upon first use, especially when using the Helios Bar Heaters, as the heating element burns off the protective oils used to guard it during transit.
The heater is overheating.	Switch the heater off at the mains and let it cool down completely. Switch the heater back on and if the problem persists, contact the retailer immediately.

The heater is overheating.	<p>If you are using a thermostat, this may be causing the issue. Either try a different thermostat or contact your local electrician to investigate the symptom.</p> <p>If your panel is ceiling mounted, ensure that there is adequate gap between the ceiling and the panel by lowering the suspension cable.</p>
The heater is not warming the room up.	Your heater may not be the correct power for the room. Consult our wattage calculator located on every product page to determine the correct number of heaters for your room.
The heater is making a strange noise.	This is normal upon first use, and can persist longer term to a lesser extent. The reason is that the heating element will expand slightly as it gets hotter, and then contract slightly when it cools.
I don't know how to use a function on the NXT Gen remote.	Please refer to page 13 for full details of the NXT Gen remote functionality.
I don't know how to use a function on the Solis wireless temperature sensor.	Please refer to page 19 for full details of the NXT Gen remote functionality.

THINGS TO BE AWARE OF

- When installing the panel on your ceiling, you must use a Suspension Kit and leave a space of at least 50mm between the ceiling and the panel.
- Our panels can be installed on your wall in both portrait and landscape orientations.
- Before drilling any holes or making any other permanent modifications to your home, please ensure that the panel(s) you have are sufficient for the room you're installing them in. You can calculate your cubic space by multiplying the Length by the Width, and then multiplying the result by the Height of your room, all in Metres. This will give you the cubic capacity of your room in m^3 . Then, if your home is well insulated, multiply your cubic capacity by 25 to give you your required wattage. If your home is moderately insulated, multiply your cubic capacity by 30, and if your home is poorly insulated, multiply your cubic capacity by 35.
- Once installed, you may begin to notice dark marks appear on your wall and ceiling, and even on the heater itself. This is completely normal, and happens with all heaters. It is the result of dust, dirt, and external gases

staining surfaces in the vicinity of the heater as a result of the movement of air around the heater itself. This is nothing to be concerned about, and will not affect the operation of the heater.

DISPOSAL



Electrical appliances such as this infrared heater should not be disposed of with other household waste, and should be recycled at special facilities. Check with your local authorities or retailer for advice concerning disposal and recycling.

MIRRORSTONE

INFRARED HEATING



enquire@mirrorstoneheating.co.uk

www.mirrorstoneheating.co.uk

Unit 1A, 20 Devonshire Road

Leicester, LE4 0BF

+44 (0) 116 436 2250