

Vertical Designer Radiator

Installation Guide

Contents

Safety & General Information **Page - 1**

Product Information **Page - 1**

Valve Positioning **Page - 2**

Parts Included - **Page - 2**

Tools required for installing **Page - 2**

Installation **Page - 3/4**

Aftercare **Page - 4**

Your Guarantee **Page - 4**

Recycling and Disposal - **Page - 4**

Contact Us **Page - 4**

Safety & General Information

Please read carefully...

This product is only suitable for use on indirect or sealed central heating systems inc. Combi boilers

Do not throw away packaging until you have located and confirmed that you have all included parts.

This radiator must be installed by a qualified plumber or other fully competent person.

For your own protection we recommend that you wear safety boots and gloves.

Inspect the finish on the product for signs of damage before installation.

The provided fixings are for solid brick walls only, if installing on any other surface please check that it will safely support the product and purchase suitable fixings.

Product Information:

This product can only be used up to PN 1MPa (10g/cm², 10 Bar). It should only be filled with water, and at a temperature below 100 °C (212°F). See table below for installation requirements.

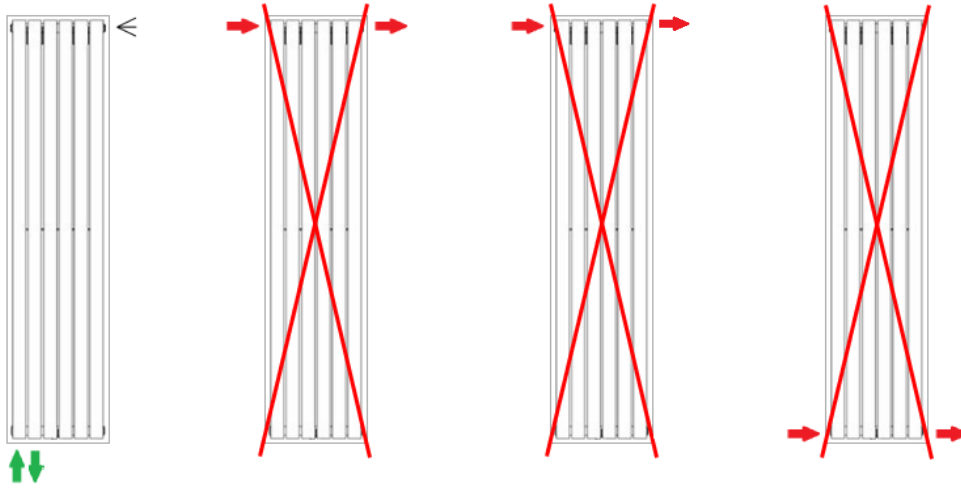
If the temperature exceeds 48 °C (or 120 °F), please show a warning sign near the product to avoid burning and scolding accidents.

This Product is only suitable for use on indirect or sealed central heating systems including combination boilers.

To ensure you can enjoy your radiator for as long as possible, it is essential you first FLUSH YOUR HEATING SYSTEM WITH A CENTRAL HEATING CLEANSER, this will clear any waste from the system. Following the cleansing of the system you must PROTECT THE SYSTEM WITH A CENTRAL HEATING INHIBITOR. These two simple steps will greatly increase the efficiency and lifespan of your central heating system. Failure to complete these steps increases the chance of pinhole leaks, and will also invalidate the guarantee on your radiator.

Valve positioning:

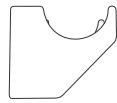
Please ensure that your radiator valves are fitted as per the below diagrams ensuring that a bleed point always remains at the top of the unit.



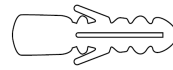
Parts Included:



1x Bleed valve



2x Top brackets



8x Wall Plugs



8x Plastic bracket covers



1x Blanking plug



2x Bottom brackets



8x Screws

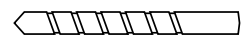
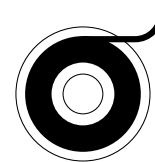
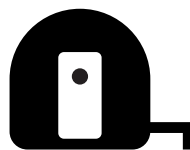
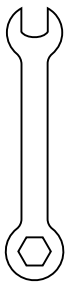


2x Plastic Caps

(These caps must be removed before installation)

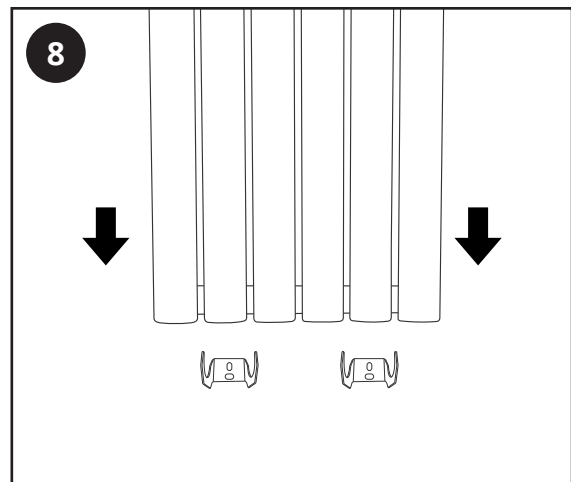
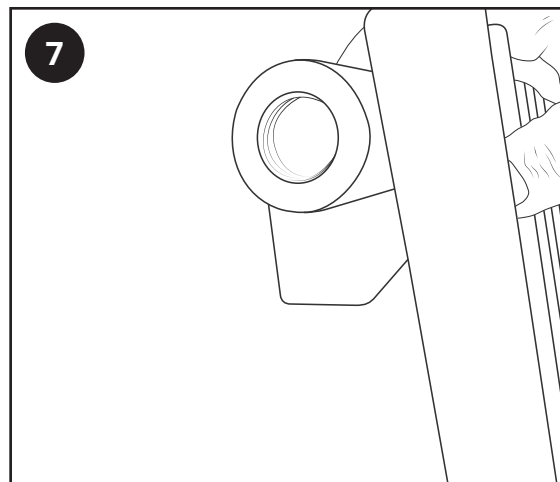
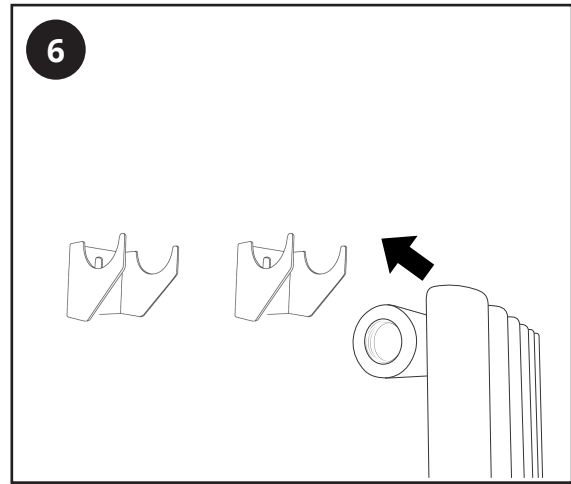
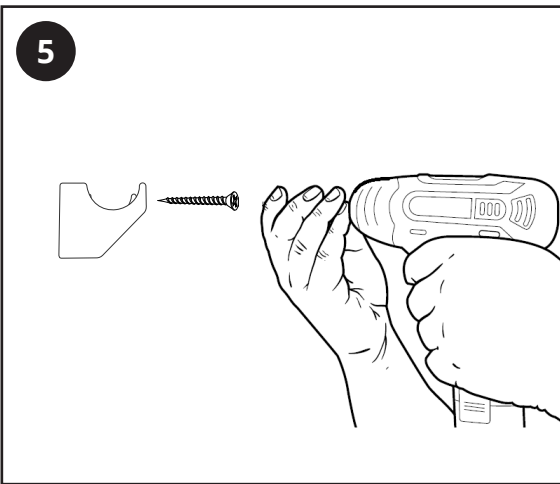
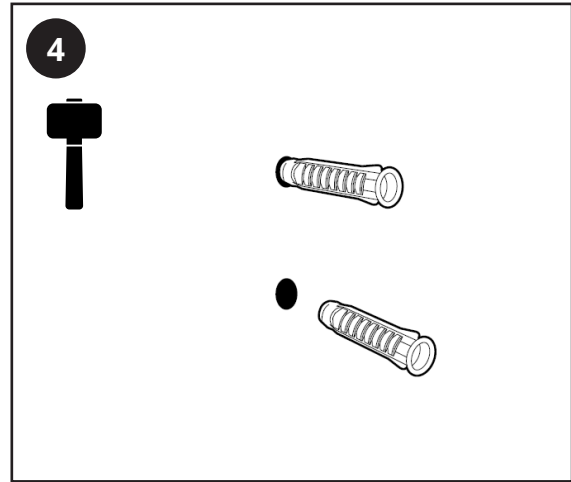
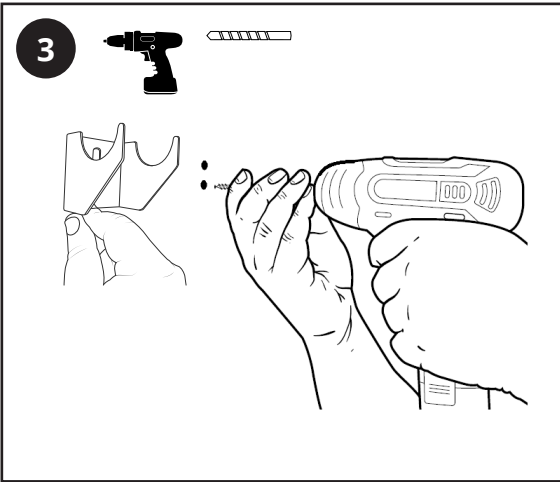
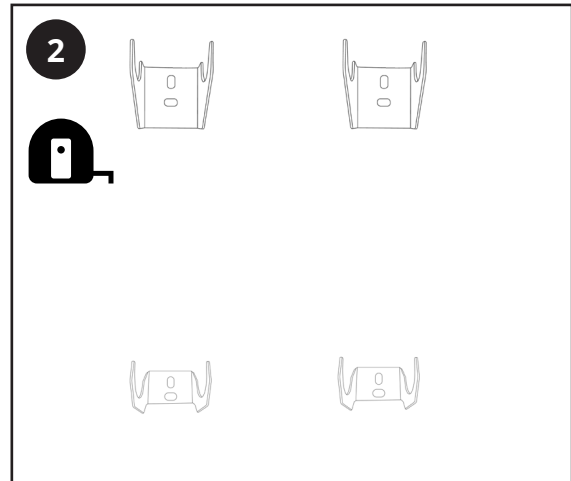
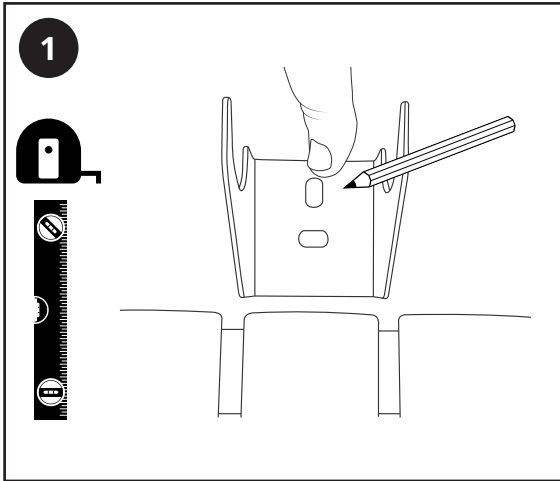
*Brackets may vary by product

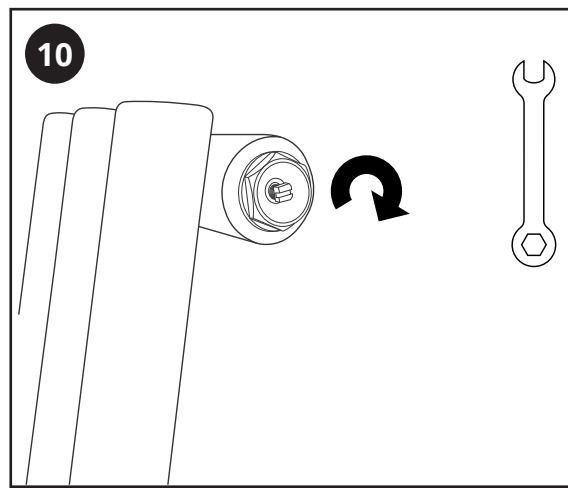
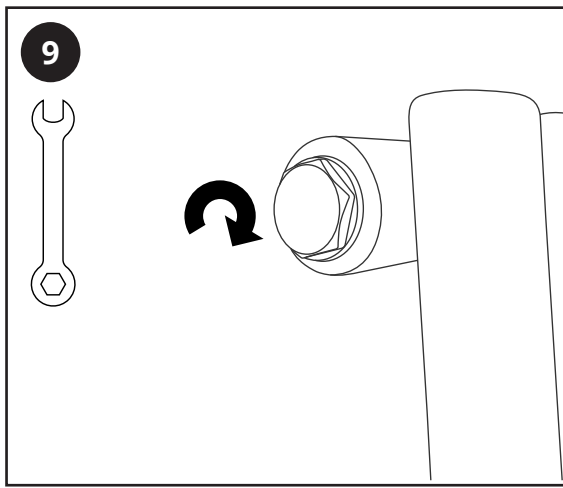
Tools required for installing:



10mm

Installation:





Aftercare

Clean any marks with a soft dry cloth, for stubborn stains please clean with mild soapy water and buff out with a soft cloth. DO NOT use abrasive or acidic cleaners, if you are unsure, please contact us first.

Your Guarantee

- This product is covered by a 20 year guarantee.
- The guarantee starts from the date of purchase.
- The guarantee covers you against issues caused as a result of manufacturing related issues, it does not apply to issues that are found to be a result of poor installation.
- Labour costs for installation of the product are not covered under this warranty.

Recycling and Disposal

Please recycle the packaging in accordance with your local government regulations on waste handling, and follow the same advice at the end of the products life.

Product - Steel.

Packaging - Cardboard, plastic, steel.

Contact us

LDG

Unit 1 & 2 Dawson Ct

Burnley

Lancashire

BB11 5UB