



# Smart TRV

## User Guide

### **Contents**

Technical Data **Page - 1**

Set Up and Pairing - **Page 2**

Connecting to Mobile or Tablet - **Page 2**

Display **Page - 2**

Settings **Page - 3**

Recycling **Page - 4**

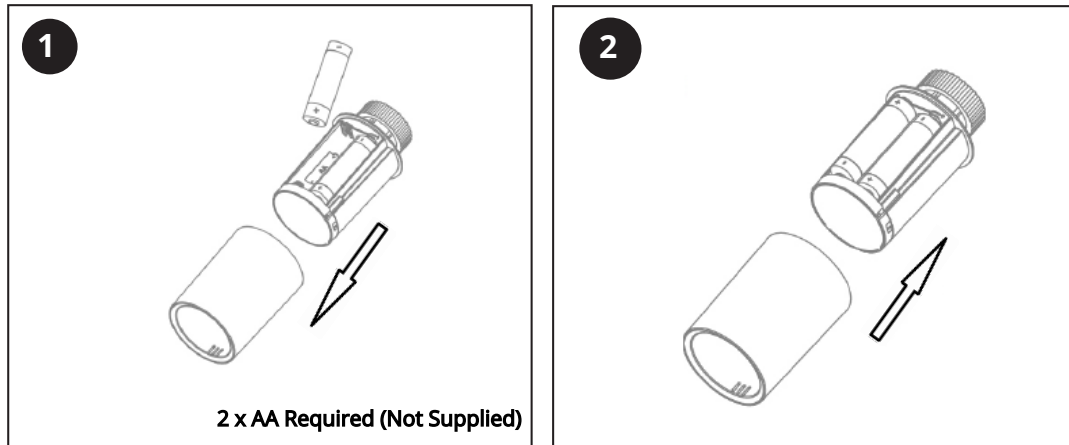
Aftercare - **Page 4**

Your Guarantee **Page - 4**

## Technical Data

Thermostat operating voltage:	2 x AA1.5 V, alkaline batteries.
Backup storage:	EEPROM
Switching options:	7 days programming (4 periods/day)
Frequency:	868Mhz
Temperature settings:	5°C ~ 35°C, in 0.5°C ± 1°C
Accuracy:	± 1°C
Control:	PID
Thermostat dimensions:	φ55*69mm
Max Extension:	5.0mm
Colour:	White
IP protection rating:	20.
Certification:	CE, ROHS, RED

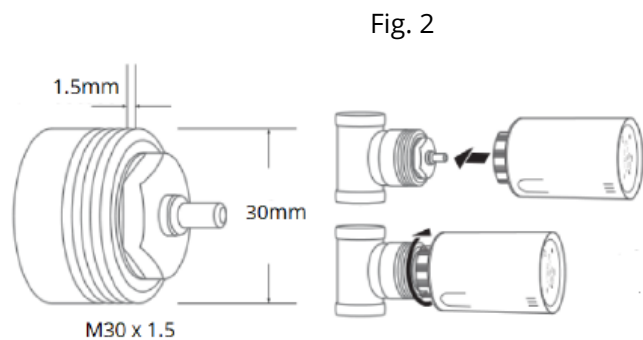
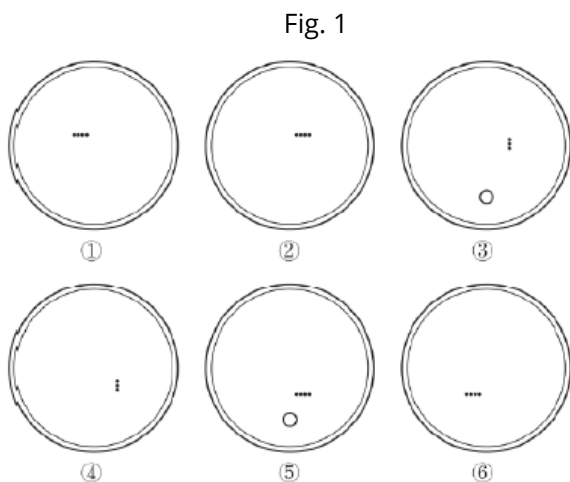
# Setting Up The TRV's



## Pairing the TRV's

Note: Before adding the TRVs to the App, please make sure you have added the E-hub, please refer to the Hub manual for instructions on installing the Hub.

- 1) Once the batteries are installed, the TRV will display -- as in Fig. 1 (1) then the display will flash and circle as in Fig.1 (2 to 6)
- 2) Install the TRV onto your radiator as in Fig. 2
- 3) Press the ON/OFF button on the TRV, the TRV will now calibrate itself to the stroke of your valve body, the plunger in the TRV will move up and down to store the open and closed points of your valve, during this process the display will turn off to save power.
- 4) Once the TRV has calibrated the TRV will turn on. If the calibration process is unsuccessful the display will show E, remove and replace the batteries and repeat the procedure from step 1.

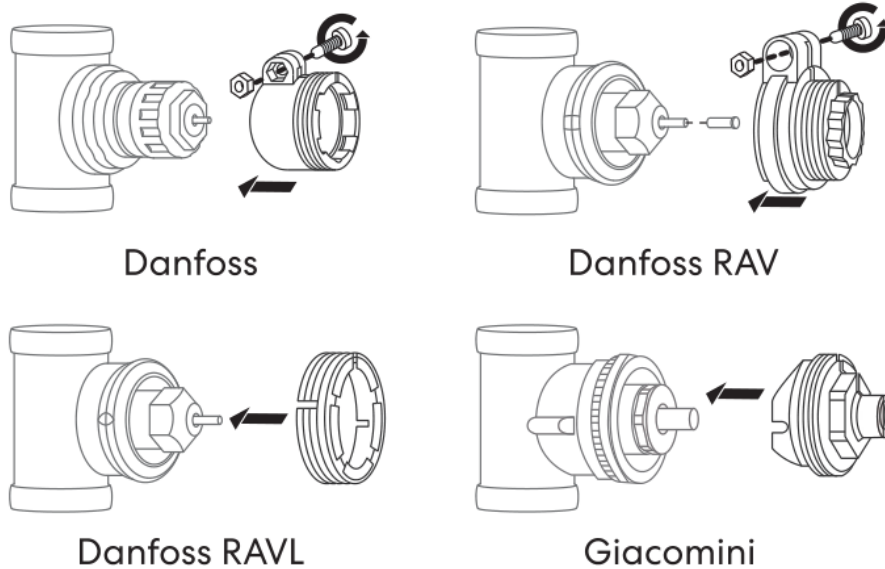


The TRV comes with four adaptors for none standard valve fitting, If your valves are not standard M30 x 1.5 please refer to Fig. 3 below.

## Adding the Valves to The Hub

- 1) Open the APP and select the WIFI gateway, press add sub device and then press heater.
- 2) Turn off the TRV pressing ON/OFF button.
- 3) Press and hold the On/Off button until the display shows the WIFI icon.
- 4) Press the + or - button, the WIFI icon will now flash to show the TRV is in connection mode.
- 5) When the WIFI icon stops flashing the TRV is connected.
- 6) Press the ON/OFF button to return, press again to turn the TRV on.

Fig. 3 - Adaptor Fitting



## Selecting a Mode

Press the ON/OFF button to choose Manual mode/Away mode or PRG mode.

## Temperature Calibration (from APP only)

This feature is used to calibrate the thermostat's room temperature display when the actual room temperature different from that shown on the thermostat (refer to the menu 01 of parameter settings). For example, if the actual room temperature is 21.5°C, but thermostat shows 23°C, then you can set this value to -1.5, then the thermostat will show 21.5°C.

## Frost Protection (from APP only)

This is the temperature maintained when the thermostat is in Frost Protection Mode. If room temperature drops below 5°C (Default) the radiator thermostat will turn on the heating until the room temperature reached 5°C.

## Child Lock (from APP only)


When the child lock function is enabled, the buttons will lock once the backlight turns off. You can long press the O button for 5 seconds to temporarily unlock the thermostat for adjustment.

## Open Window Detection Function (OWD Function) (from APP only)

When the Open Window mode is enabled, the system will automatically stop heating when it detects a sudden drop of room temperature 2°C in 15 minutes set as default. This is normally caused when a window or door is opened without turning off the heating device. When an open window is detected, the screen will show the symbol OP. The device will resume to its previous status after 30mins if no action is implemented. You can resume the device by manually press any button.



## Low Battery Alarm

When a low battery is detected the thermostat screen will show , change the batteries and check the thermostat is working correctly.

## Default Timer Setting:

Period	1		2		3		4	
	Time	Temp	Time	Temp	Time	Temp	Time	Temp
12345 (Mon.~Fri.)	7:00	22°C	8:30	19°C	17:00	22°C	22:00	19°C
6 (Sat.)	8:00	22°C	8:30	22°C	17:00	22°C	22:00	19°C
7 (Sun.)	8:00	22°C	8:30	22°C	17:00	22°C	22:00	19°C

## Aftercare

---

Clean any marks with a soft dry or damp cloth, if you are unsure, please contact us first.

---

## Your Guarantee

- This product is covered by a 3 year guarantee.
  - The guarantee starts from the date of purchase.
  - The guarantee covers you against issues caused as a result of manufacturing related issues, it does not apply to issues that are found to be a result of poor installation.
  - Labour costs for installation of the product are not covered under this warranty.
- 

## Recycling and Disposal

Please recycle the packaging in accordance with your local government regulations on waste handling, and follow the same advice at the end of the products life. Do not recycle the element in your general waste.

Product - ABS.

Packaging - Cardboard.

---

## Contact us

Unit 1 & 2 Dawson Ct

Burnley

Lancashire

BB11 5UB