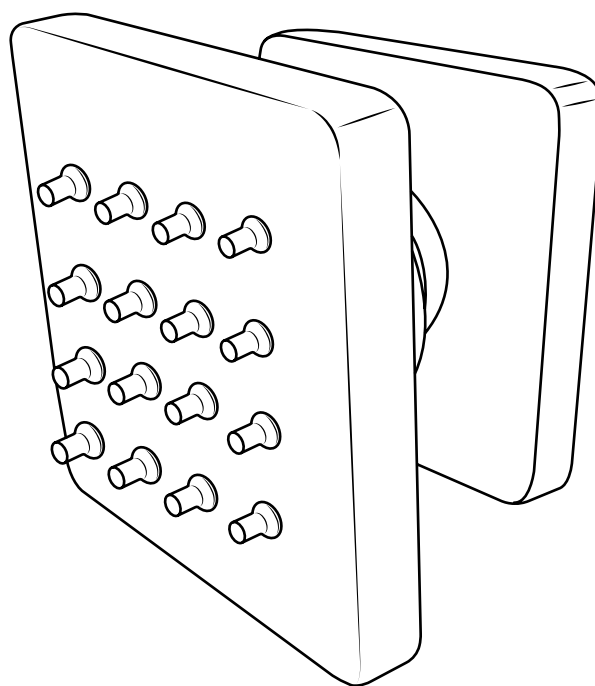


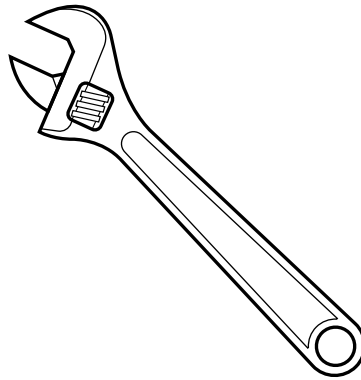
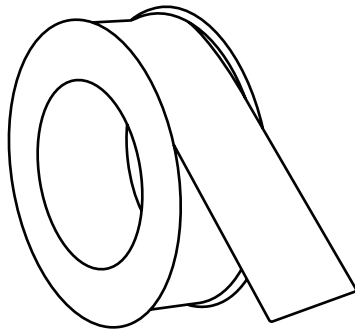
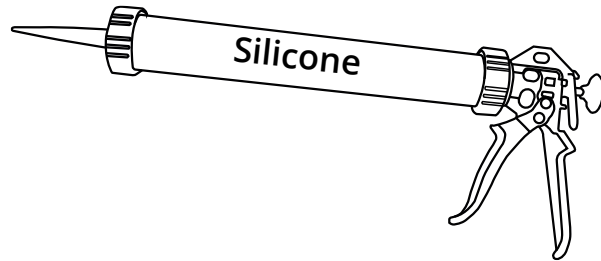
Square Body Jet



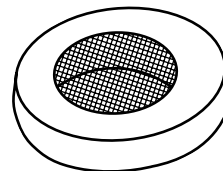
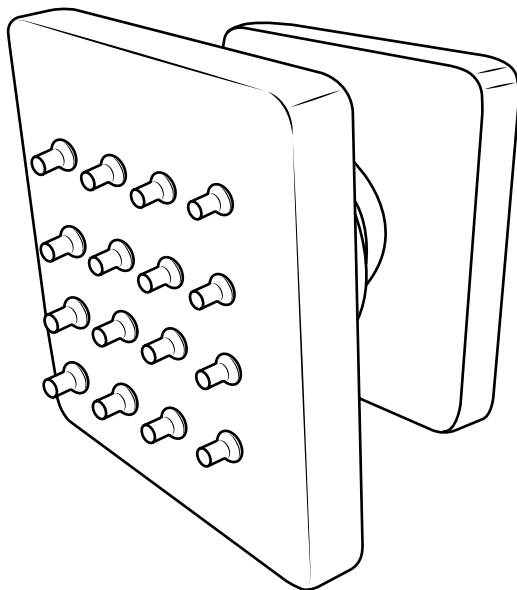
Installation Guide

Installation

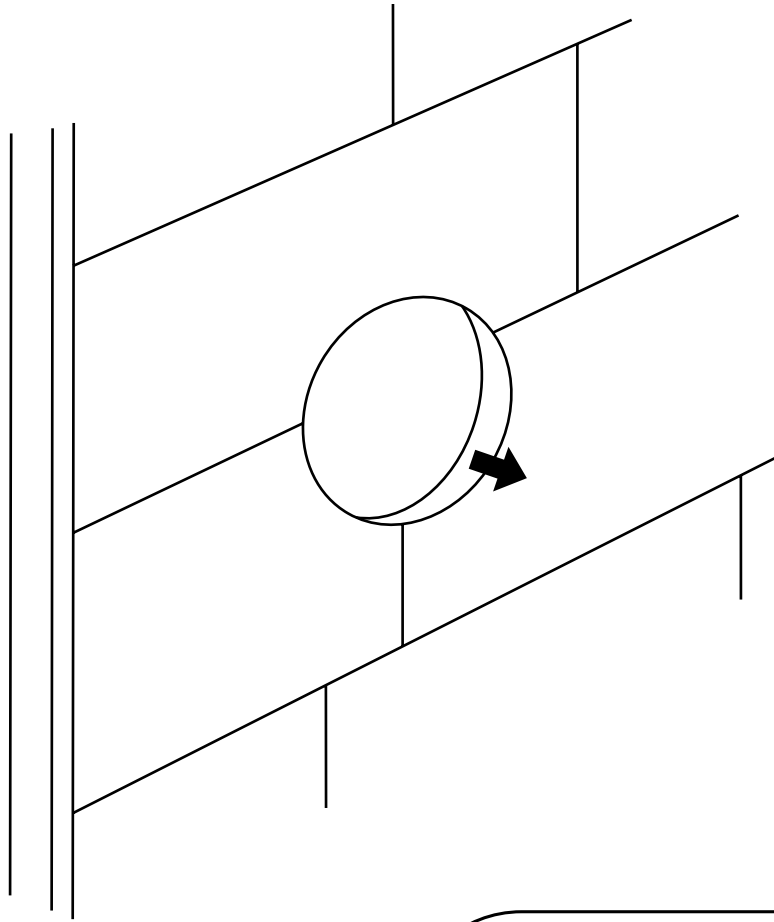
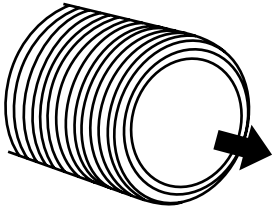
Tools required for installing:



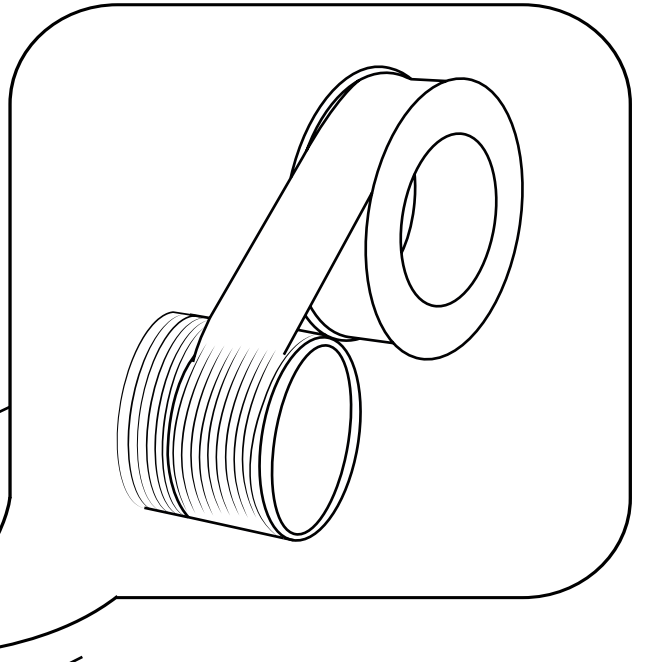
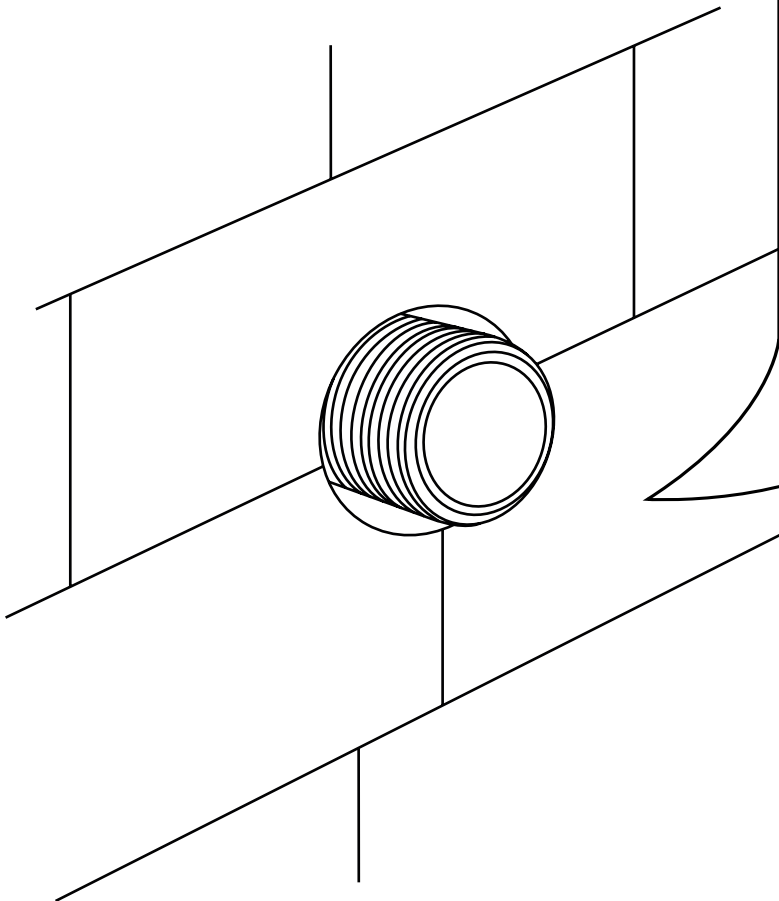
Parts included:



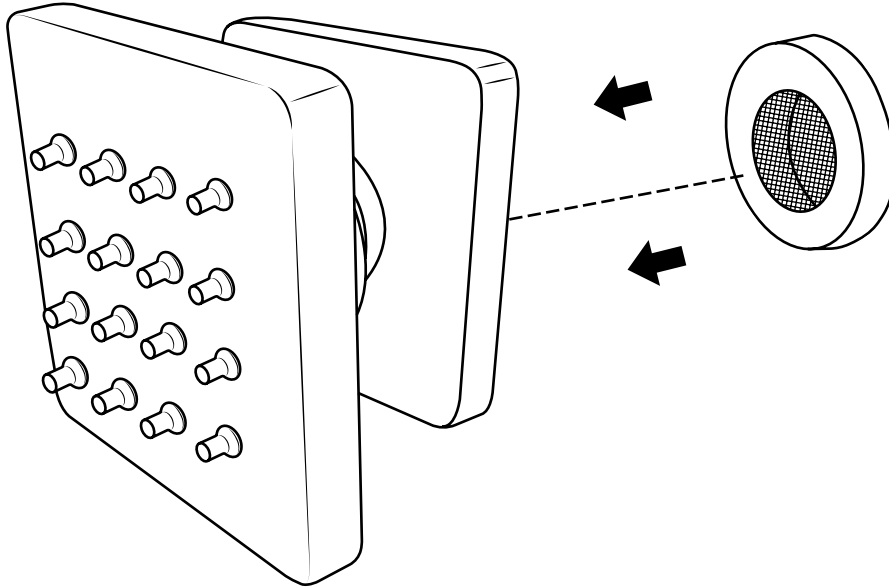
1



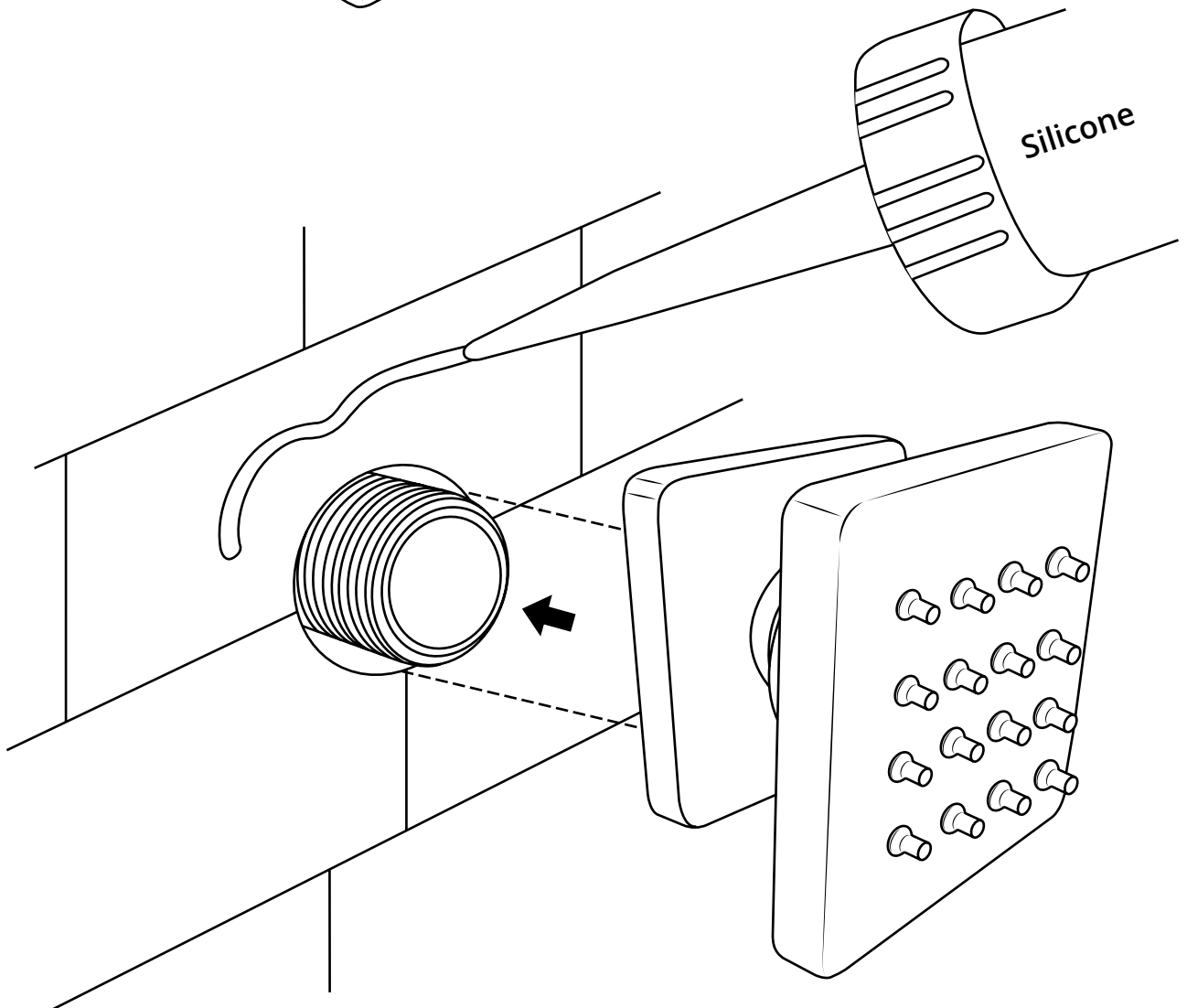
2



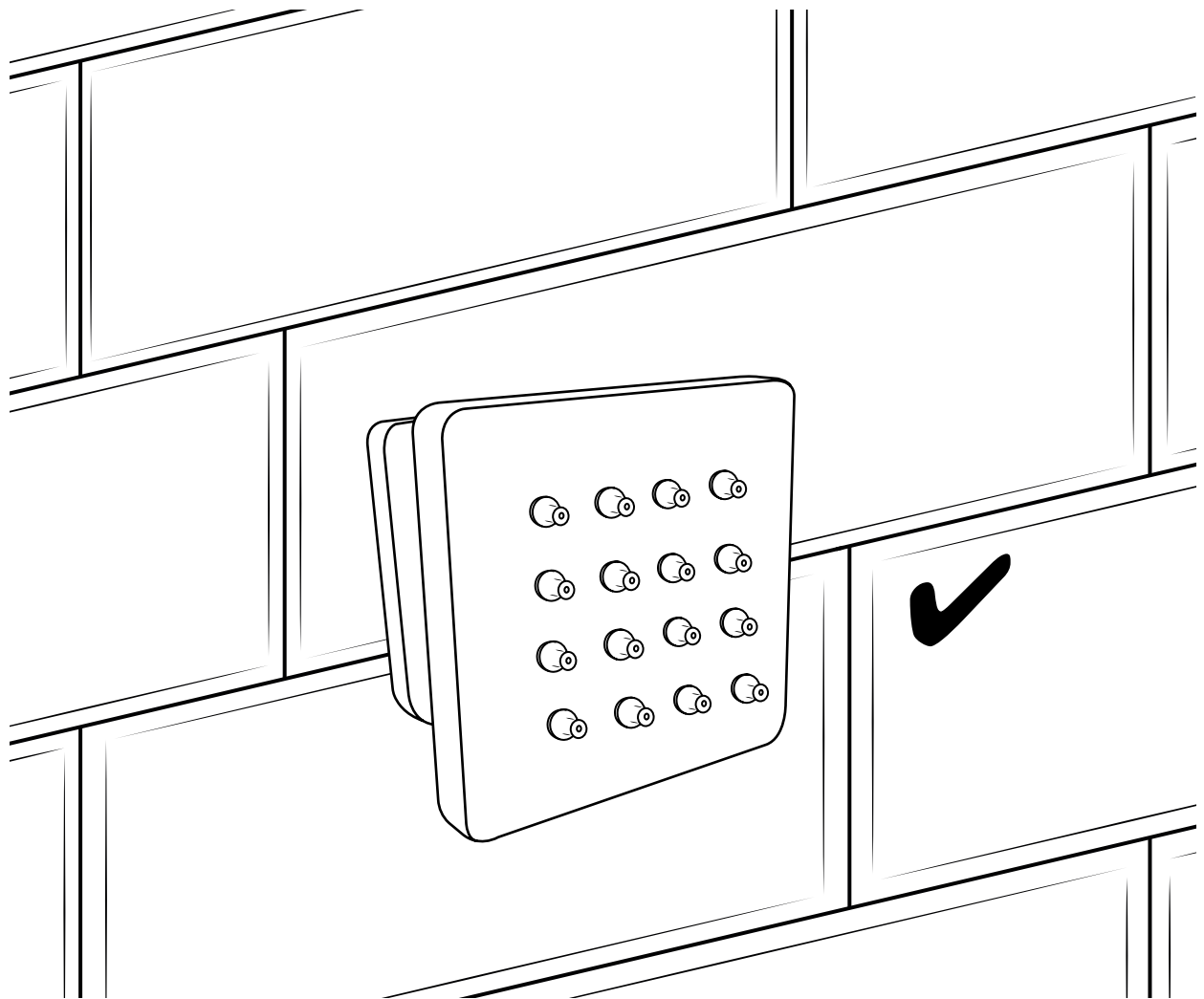
3



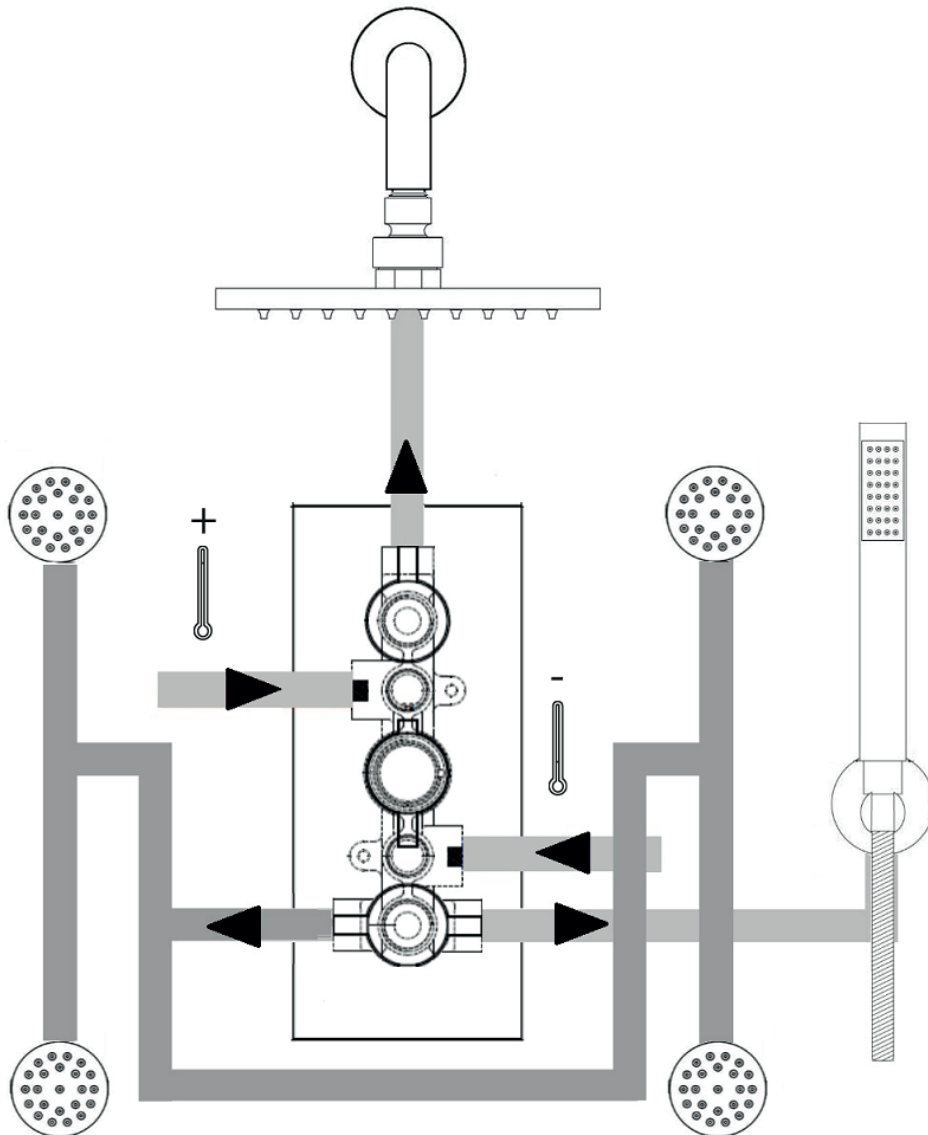
4



5



Installation Example



If you require any additional information or have any issues with this product please refer to the website.