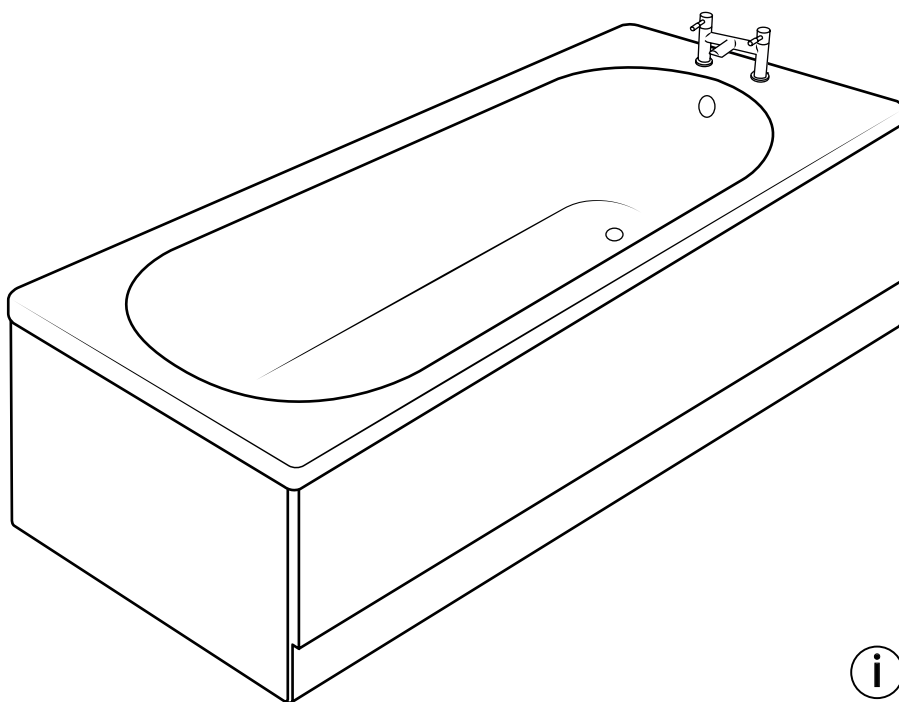



# Bath Panel



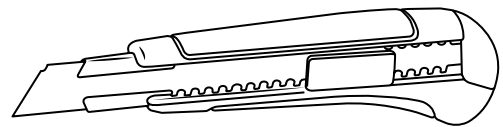
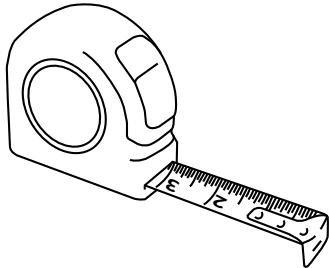
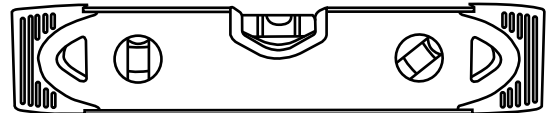
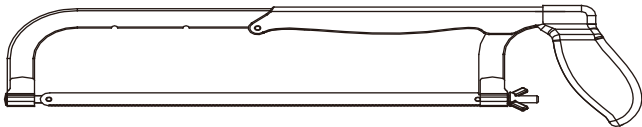
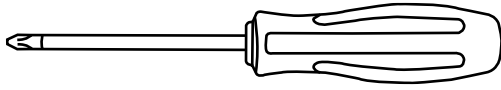
 Style may vary

Installation Guide

# Installation

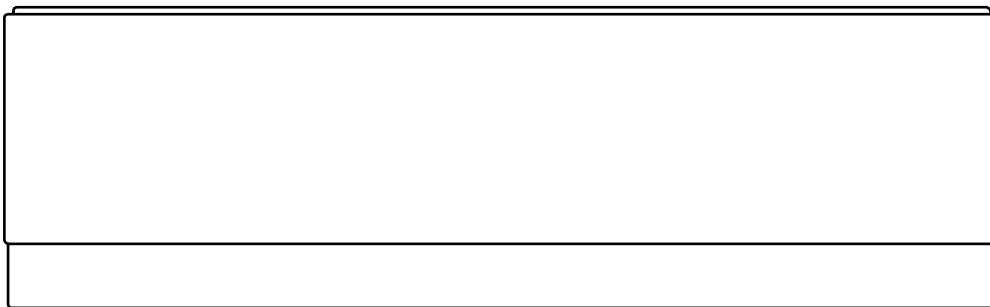
---

## *Tools required for installing:*



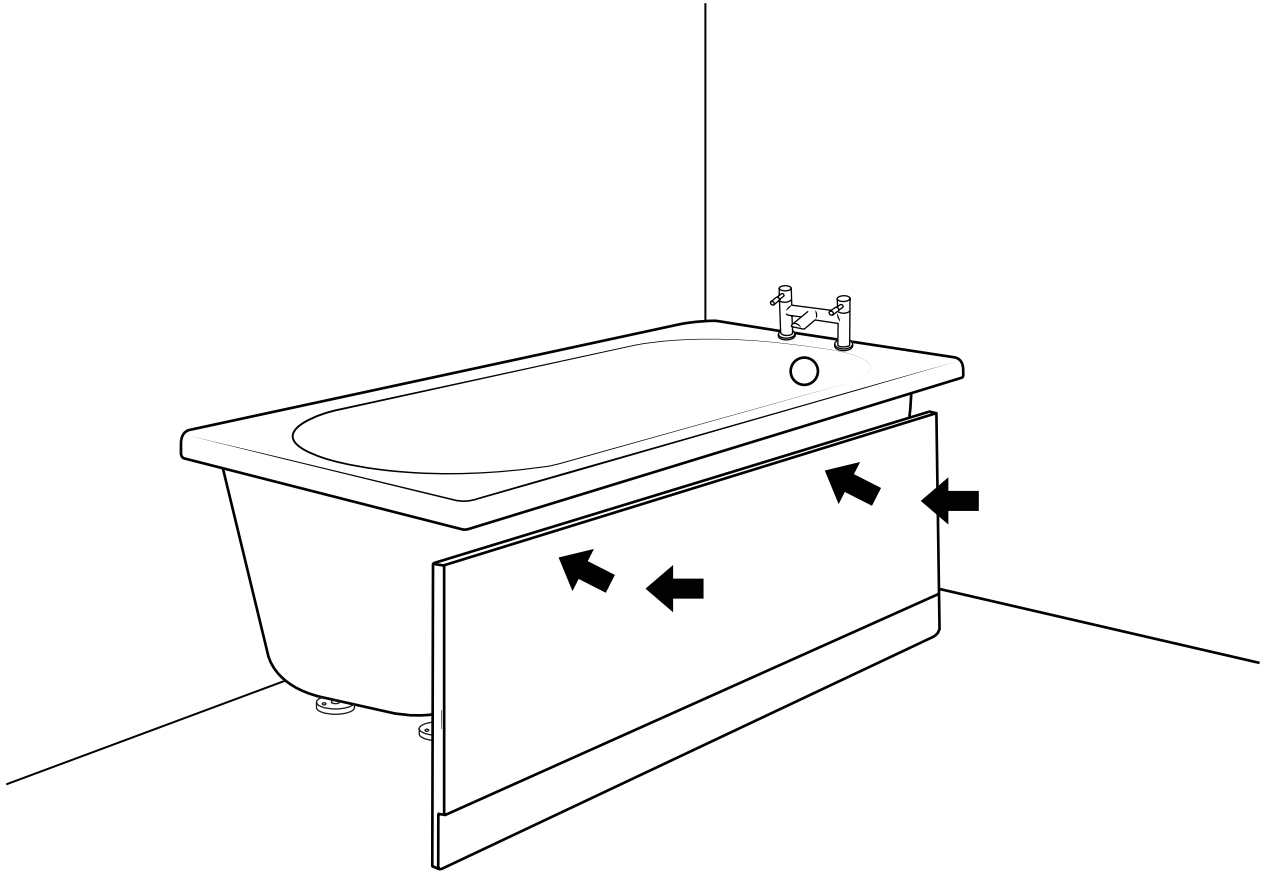
---

## *Parts included:*

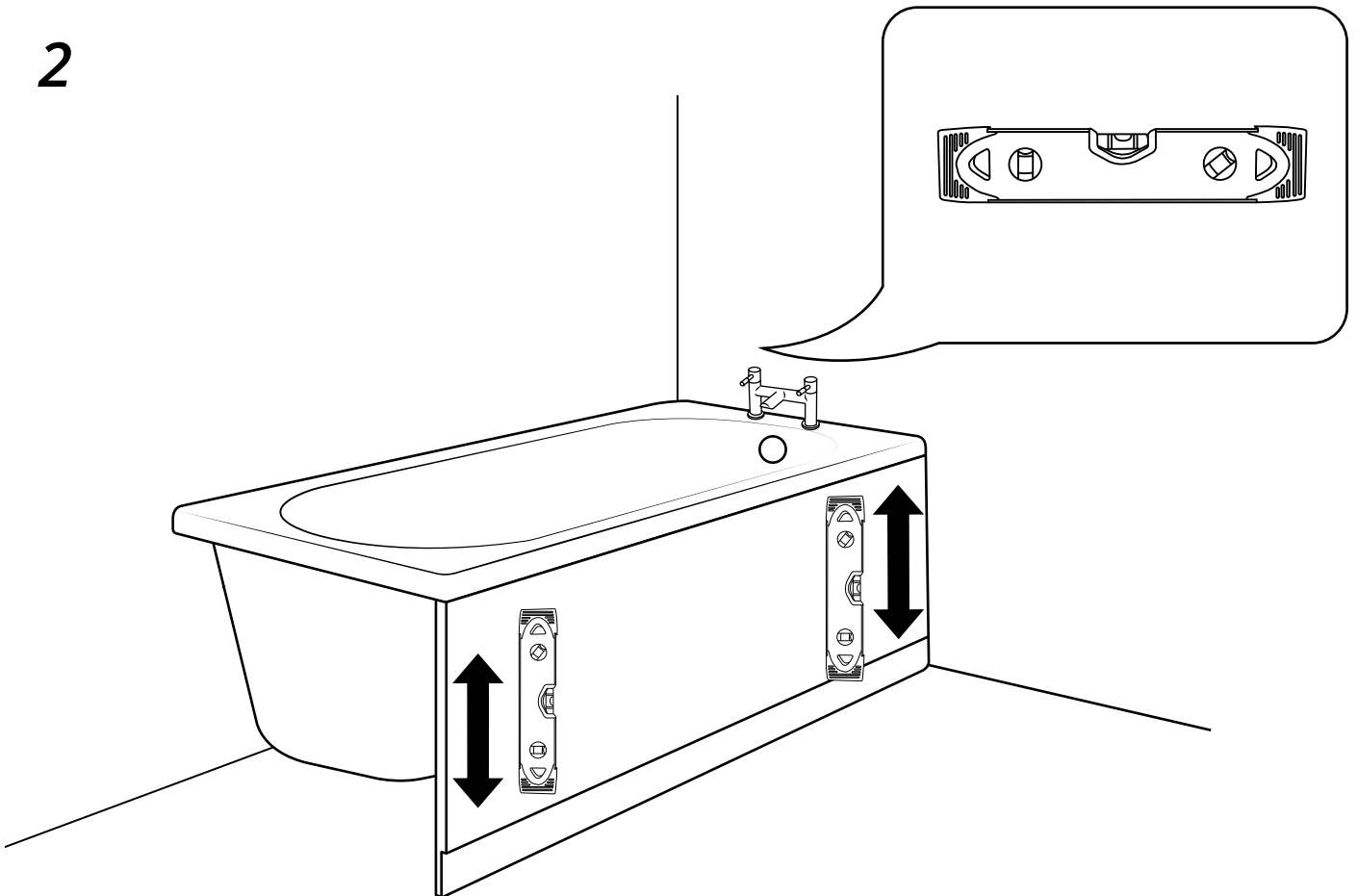


*Optional End Panel*

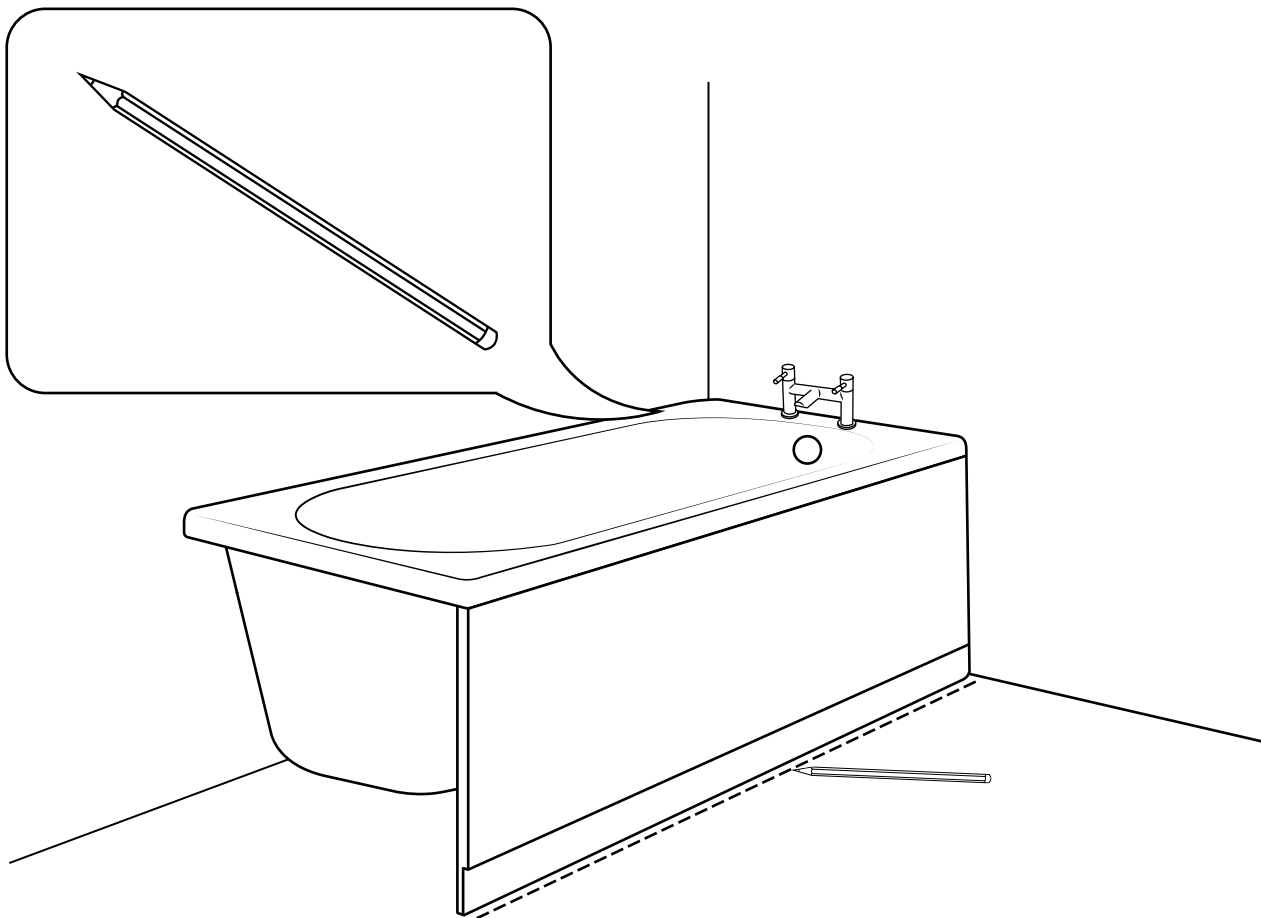
1



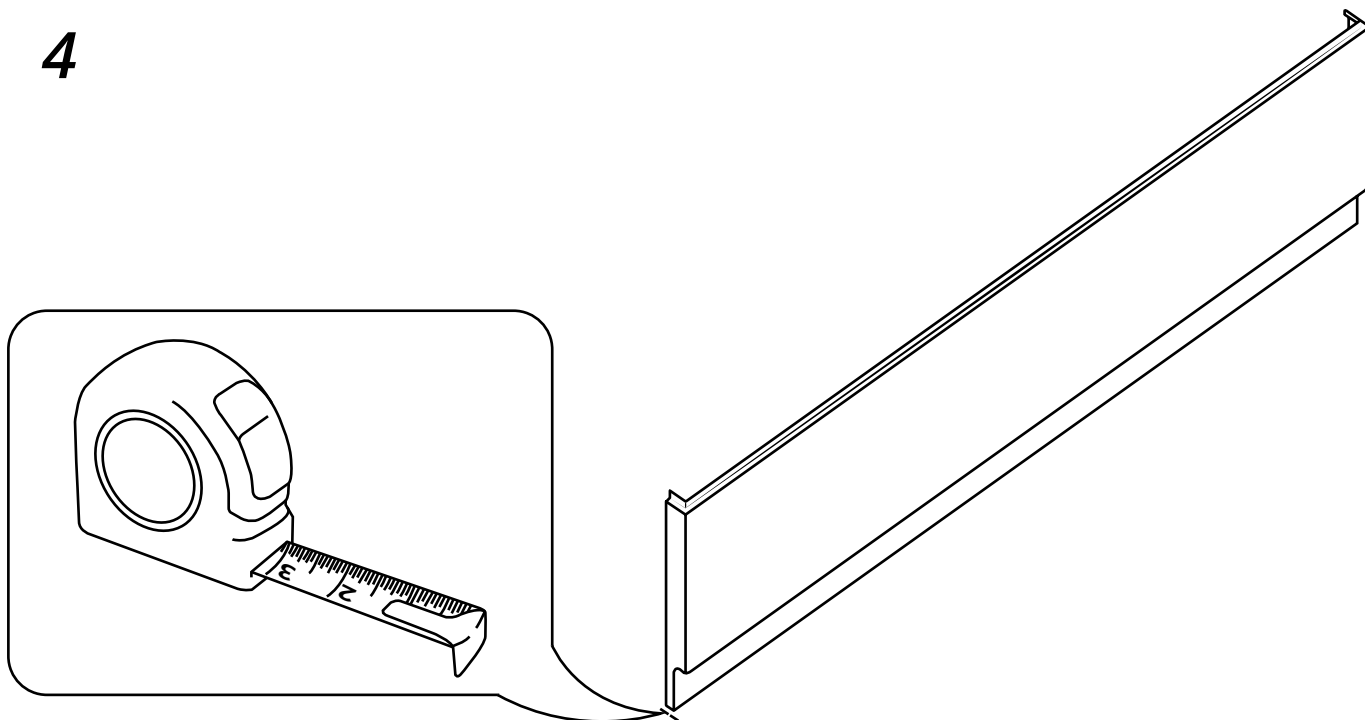
2



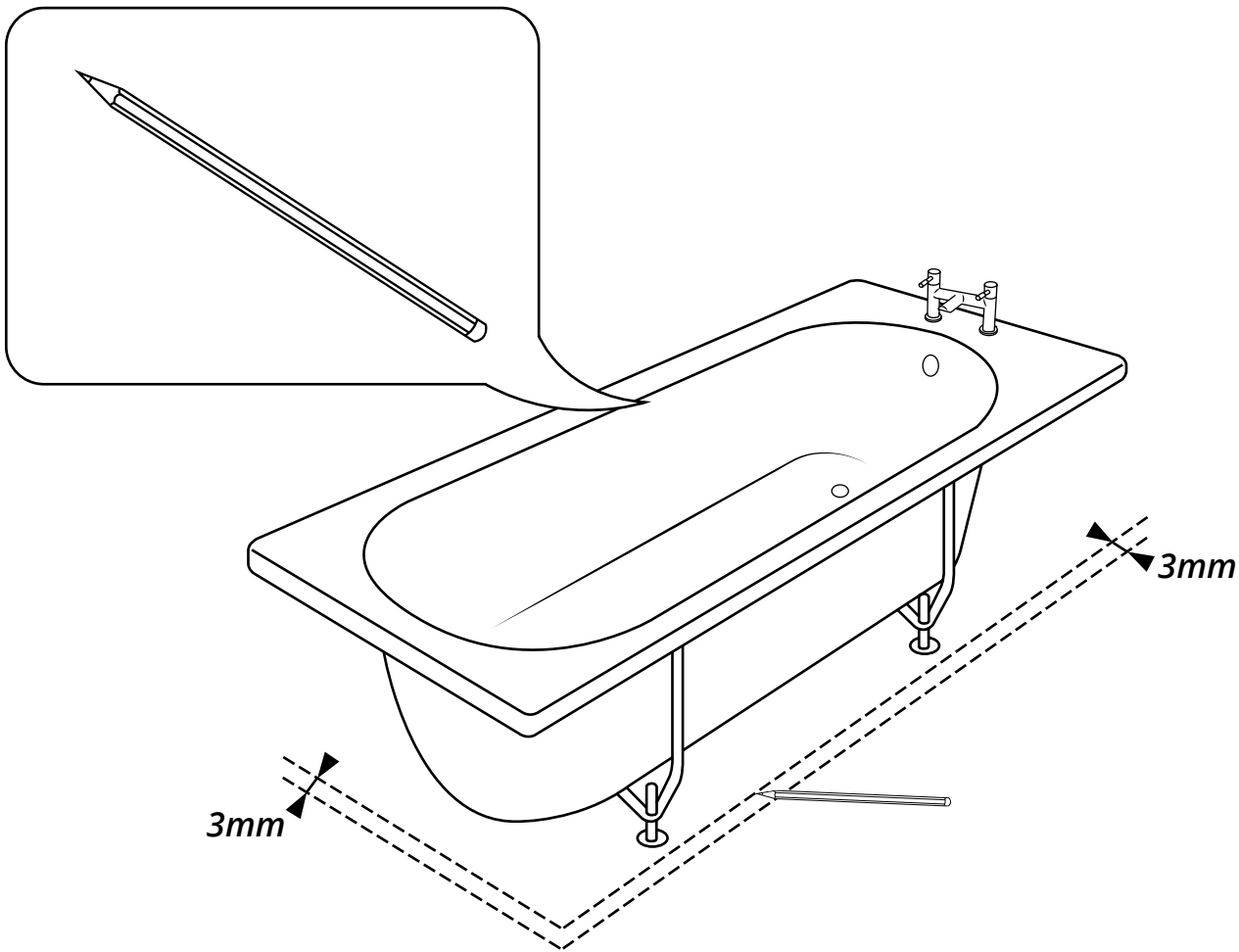
3



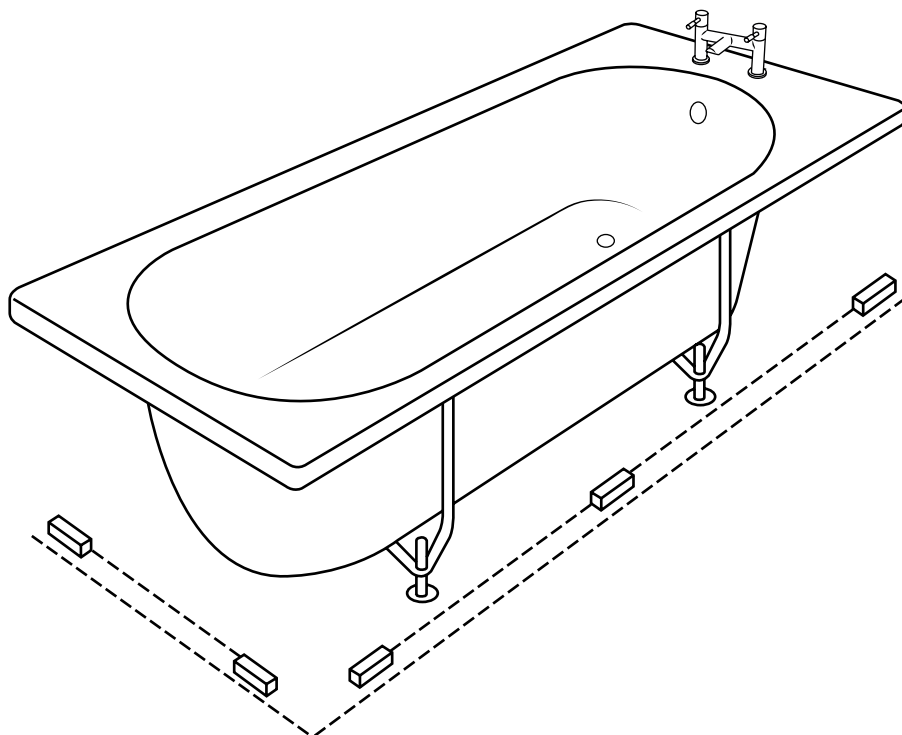
4



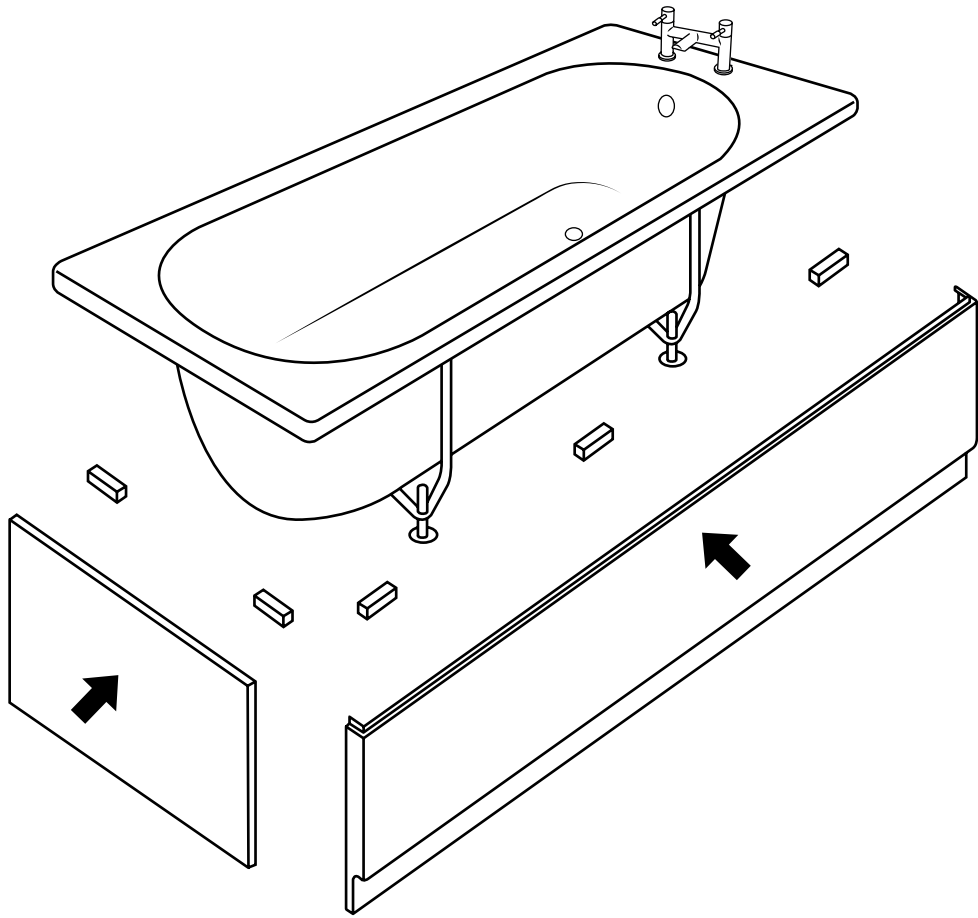
5



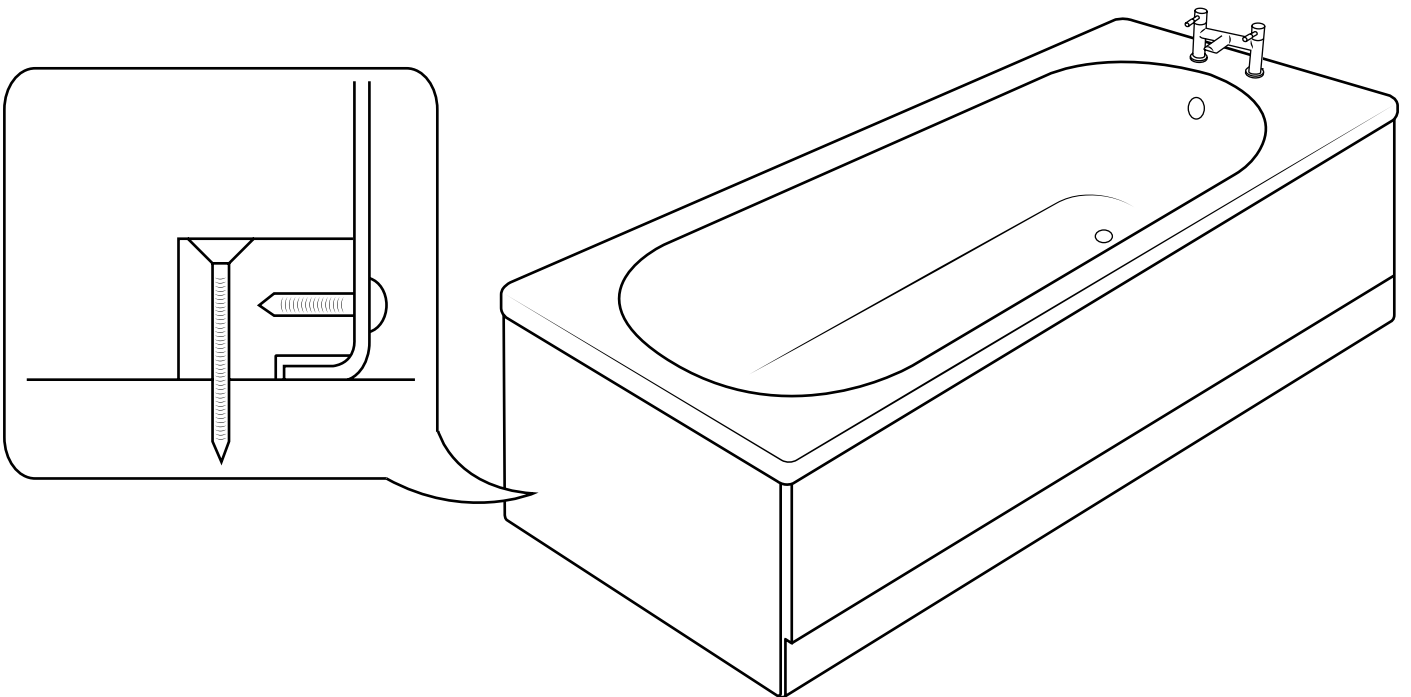
6



7



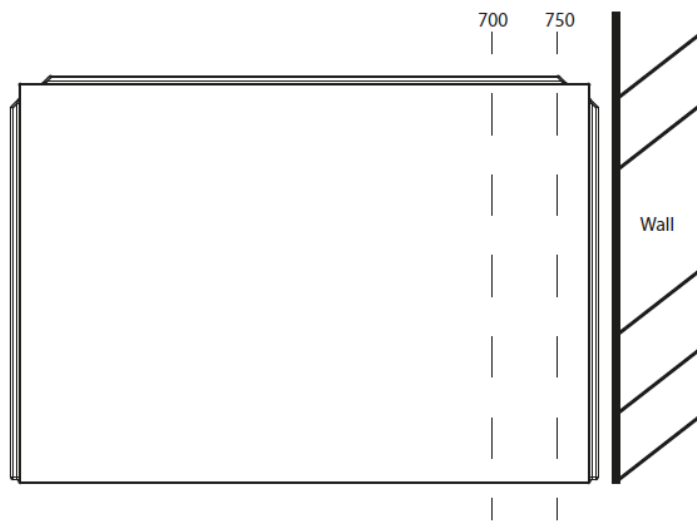
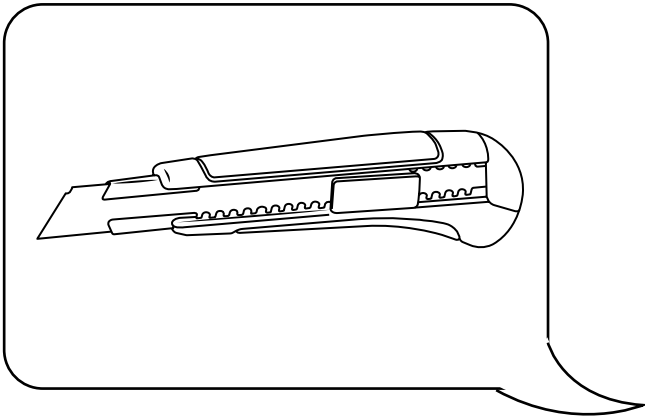
8



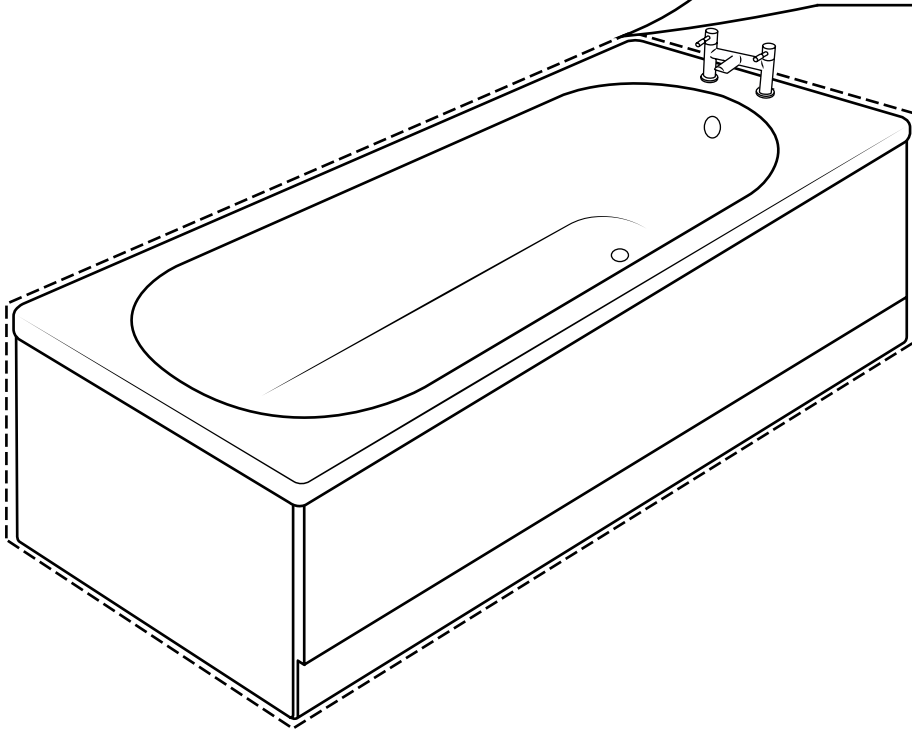
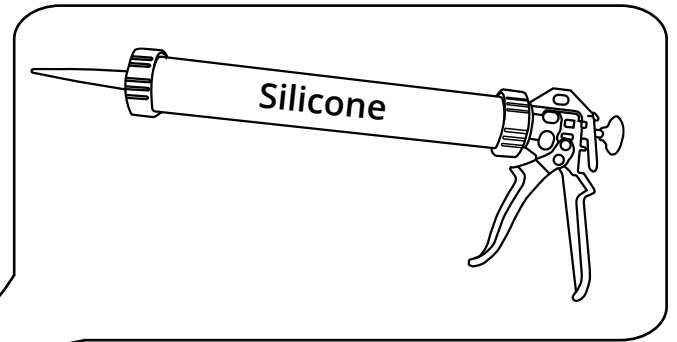
# 9

To create a 700 or 750mm finish, trim the end panel to suit at the wall side using a small fine toothed saw or sharp knife.

It is recommended that sizes are checked prior to cutting and fitting to prevent mistakes from occurring.



**10**



**11**

