

# Dry Heat Electric Heater

## Installation & Safety Information

### Installation Guide

#### **Contents**

Intended Use & safety Information **Page 2**

General Information **Page 2**

Technical Data **Page 2**

Installation **Page 3**

Electrical Connection **Page 3**

Display **Page 4**

Heater Operation Instructions **Page 4**

Connecting to Mobile or Tablet **Page 4**

Using The ECO App **Page 5**

ERP Requirements **Page 6**

Maintenance **Page 7**

Your Guarantee **Page 7**

Aftercare **Page 7**

Recycling and Disposal **Page 7**

Contact us **Page 7**

# Intended Use & safety Information

## ***Please read carefully...***

This product is intended for use in domestic or commercial environments such as homes, shops, hotels etc.

This product is not intended for use in a corrosive or explosive atmosphere (dust, vapor or gas)

This appliance can be used by children aged from 8 years and above and persons with reduced physical, sensory or mental capabilities or lack of experience and knowledge if they have been given supervision or instruction concerning use of the appliance in a safe way and understand the hazards involved. Children shall not play with the appliance. Cleaning and user maintenance shall not be made by children without supervision.

Children ages from 3 years and less than 8 years shall only switch on/off the appliance provided it is placed or installed in its intended normal operating position and they have been given supervision or instruction concerning use of the appliance in a safe way and understand the hazards involved. Children aged from 3 years and less than 8 years shall not plug in, regulate and clean the appliance or perform user maintenance.

Children of less than 3 years should be kept away unless continuously supervised.

**CAUTION:** The surface of this product can become very hot and cause burns, please pay attention when children or vulnerable people are around the heater.

This product should be installed by a qualified installer in accordance with all applicable local regulations and connected to an electrical output in good condition.

Extension leads or plug adapters should not be used in order to supply power to this product.

**WARNING:** In order to avoid overheating, do not cover the heater.

The supply cord cannot be replaced. If the cord is damaged the appliance should be removed and disposed of.

This product can only be installed outside zones 1 and 2 when installing in a bathroom.

**WARNING:** Do not use this heater in small rooms when they are occupied by persons not capable of leaving the room on their own, only use the device if those individuals are under constant supervision.

To ensure the safety of very small children, install the product so the lowest point is at least 600 mm above the floor.

The heater should only be connected to a power outlet in good condition.

This heater should not be installed directly below a power outlet.

## General Information

Do not throw away packaging until you have located and confirmed that you have all included parts and the product is in good condition.

Check the device for damage before installation and on a regular basis.

If any damaged is found on the appliance or power cord it should not be used, if any damage is caused once installed or during installation the device should be switched off and disconnected immediately.

Keep the power cord away from any hot surfaces of the heater.

This heater has no serviceable parts, never dismantle the heater as this will invalidate the warranty and could lead to injury.

Please read the full manual before installing.

Local electrical regulations must be adhered to when installing.

## Technical Data:

Item Number	Height (mm)	Width (mm)	Wattage	Input Voltage	Electrical Class	Remote
EHDHB1000W	420	475	1000	230VAV~50Hz	Class I	Yes
EHDHB1500W	420	615	1500	230VAV~50Hz	Class I	Yes
EHDHB2000W	420	755	2000	230VAV~50Hz	Class I	Yes
EHDHB2500W	420	895	2500	230VAV~50Hz	Class I	Yes

## Remote Functions:



Select Mode



Power On/Off

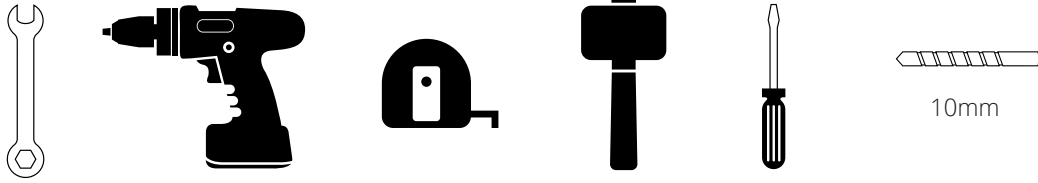


Set Temperature

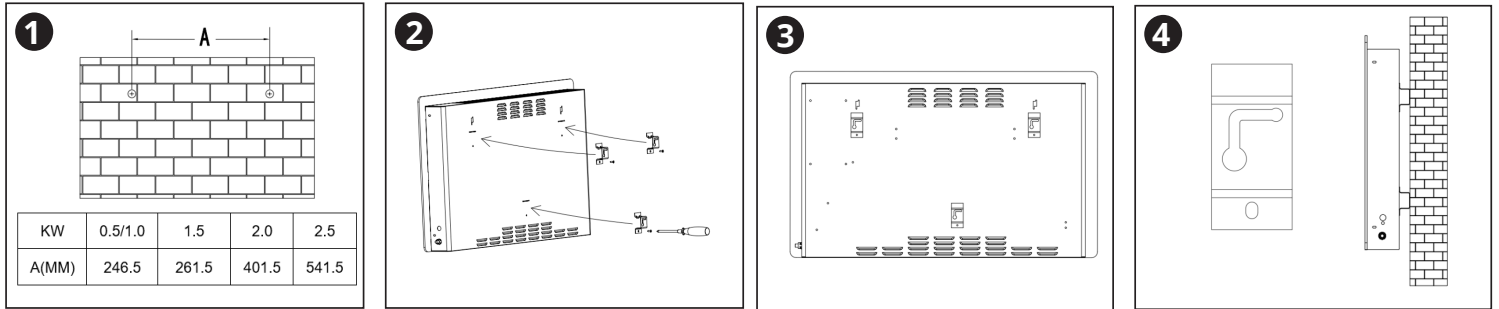


# Installation

## Tools required for installing:



Your Radiator is supplied with fixing brackets. They are specifically designed for this heater, please do not try to fit with any other type of fittings. The bottom bracket does not require a screw it is just to support the heater.

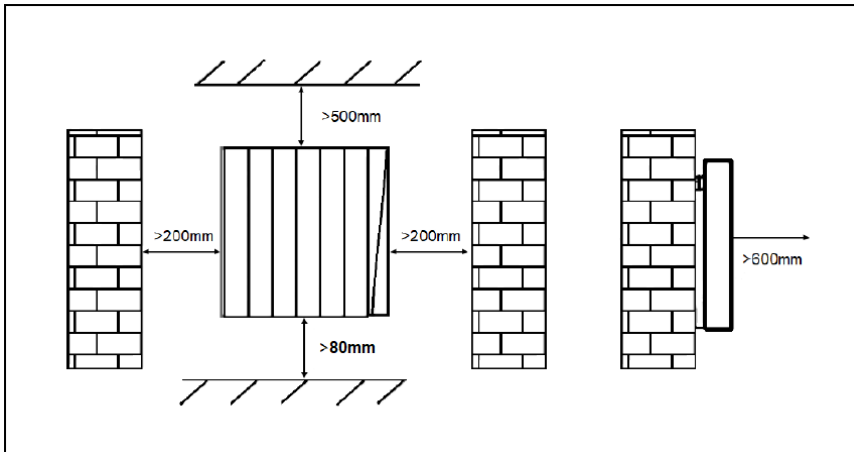


### Warning

Before switching the heater on, make sure the heater is correctly installed and securely fixed on the wall.

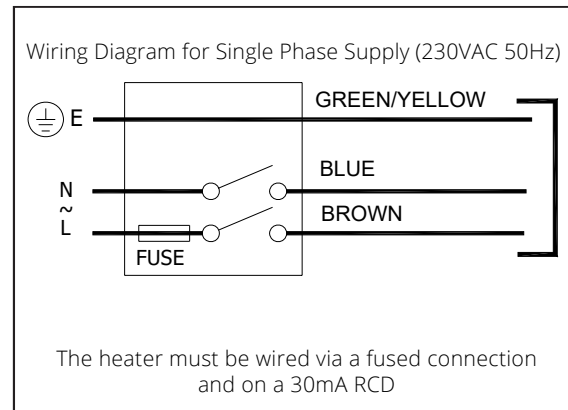
Minimum distances from any object must be observed.  
 Wall Mounted or With Optional Feet:  
 500mm from the top of the heater  
 200mm from the sides of the heater  
 600mm from the front of the heater  
 80mm from the floor  
 A minimum distance of 900mm must be kept from curtains and any other flammable materials like clothes or furniture.

**Never operate the heater without correct installation. Risk of fire.**



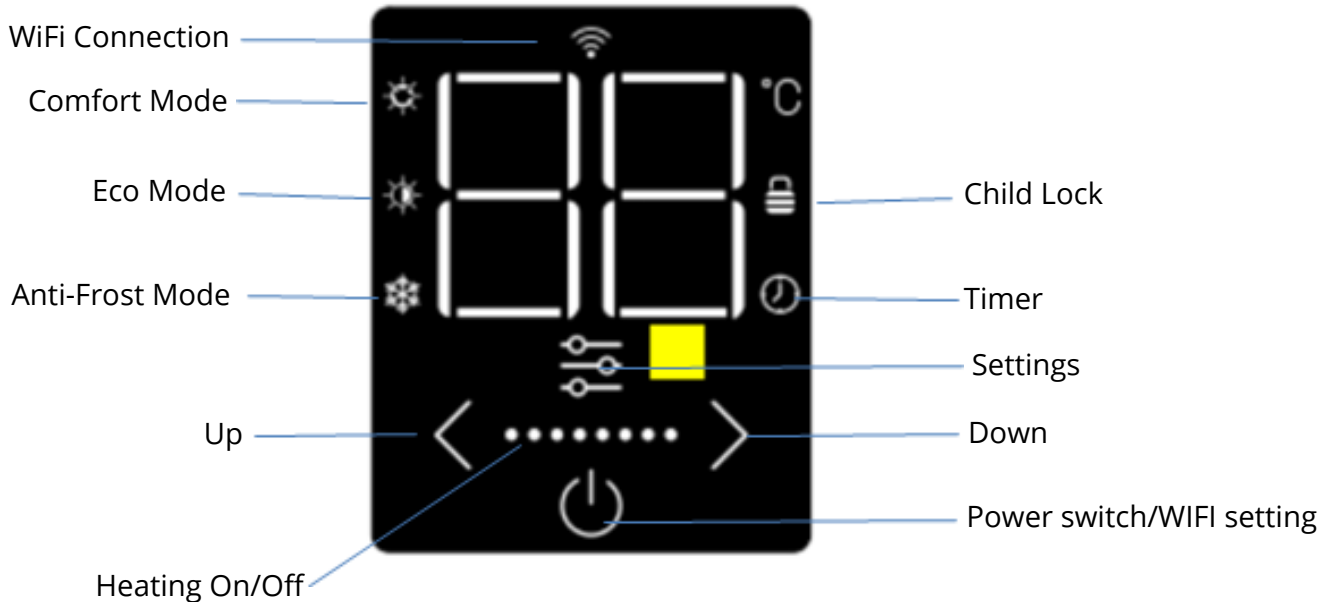
## Electrical Connection

Once the radiator is fitted, the radiator can then be wired into the mains, this must be done by a qualified or competent person in accordance with local electrical wiring regulations.



For heaters fitted with a UK or EU plug use a socket that is in good condition and suitably rated for the heater.

## Display:



## Heater Operation Instructions

The heater will beep when first powered on. The heater starts in standby mode and will displaying the WiFi icon and the current temperature of the room in °C

To start heating, press the power button. On first use you will see the heating icon and the ECO mode icon, this means the device is in the ECO mode.

The heater has memory function, when turned off/on, it will remember the last working mode.

1. To change heating mode, press the UP and DOWN buttons to cycle through the modes: ECO mode, Comfort mode and anti-frost mode.
2. To adjust the set temperature of any of the modes, press the setting button, when the digital light flashes then use the UP and DOWN buttons to adjust the temperature. Temperature range is from 5°C -50°C.
3. To set the timer, press the setting button, when the Timer light flashes use the UP and DOWN buttons to adjust the time, Timer range is 1 – 24 hours. The digits will flash while setting and then the screen will return to heating mode. The timer icon on the screen will show that the timer has been set. The heater will heat until the time has elapsed.
4. To set the child lock, press and hold the UP button. The padlock icon will appear on the screen and the control panel will be locked, to release, press and hold the up button, the padlock icon will disappear indicating that all the buttons can be used again.
5. Long pressing the settings button will turn off all the display lights, in the low light mode control the product through the APP, the product will not make and sound in low light mode. To enable the screen again press any button.

Note: the temperature cannot be adjusted in anti-frost mode.

## Connecting to Mobile or Tablet

### Downloading The ECOSO App:

1. Search for the ECOSO APP in the Google Play store or Apple Store.
2. Ensure your smart phone is connected to your home WIFI network.
3. Install the ECOSO APP and follow instruction to register account.

### Pairing the Heater:

1. Ensure the heater is switched on, and the WIFI icon is flashing.
2. Open the ECOSO APP and login.
3. Tap the + button in the top right corner of the App and 'Add Device', the App will then search for nearby devices, once the heater is found select the heater and follow the on screen instructions, once the heater has added tap 'Done', the App will then return to the home screen showing the heater.
4. If the WIFI icon is not flashing, go to standby mode and hold down the power button for three seconds until the WIFI icon is flashing and follow step 3.

# Using The ECOSO App

You can use the app to control multiple devices. The status of your devices is shown on the device list.

Tap on the the device to enter the device home screen.

## Mode:

You can change the heater's current mode by tapping the mode button and selecting a mode. You can adjust the mode's temperature using the + and - buttons when you're on that mode.

## Scheduling your Heating:

You can program your heating by creating a schedule: Settings>Timer>Add, where the heater switches on or off at the designated times., you can set an unlimited number of events.

1. Set a time.
2. Set a function (Switch) On or Off
3. Choose whether you want it to repeat (Repeat)
4. Make sure you confirm your settings at every stage and press save to keep the event
5. Add further schedules by tapping 'Add Schedule' at the bottom of the screen, unlimited schedules can be set.
6. Once all schedules have been set they will show in the timer screen, settings>timer.

Each event will appear in your schedule. You can activate and de-activate events using the toggle. The heater will beep when it begins a new heating event. The heater will heat at whatever mode it was last set to: you cannot schedule mode changes. Note, if you change the heater's setting during an event, i.e. turning it on when it is scheduled to be off - the heater will remain as it is until the next scheduled event.

## Countdown:

To set the countdown timer, tap countdown, you can select from 1 to 24 hours, the heater will revert back to the selected mode once the time has elapsed.

## Set Temperature:

Tap the + - to turn the heater temperature up/down

## Settings:

Child lock, sleep mode and timer.

## Me Tab:

The Me tab gives you the option to edit both your details, and use the added features of the unit.

## Home Management:

Home Management provides options for managing your ECOSO account, giving options such as creating a home, adding and removing rooms, and sharing devices with family.

## Message Centre:

View notifications from devices, if alarms are set up (dependent on device)

## FAQ & Feedback:

Provides assistance using the features provided within the app

## Smart Features:

The "Smart" section of the ECOSO app allows you to add functions that make your heating easier and more intuitive to control. The Smart section can be reached by tapping Scenes at the bottom of the app.

## Scenes - Automation & Tap to Run:

Scenes are customizable commands that bring all your devices together to perform set actions. They appear as shortcuts on the app offering a quick and easy means of co-ordinating your heating, for example All on/All Off, Set all to 21 degrees.

# ERP Requirements

Model	DHB1000W	DHB1500W	DHB2000W	DHB2500W
<b>Heat output</b>				
Nominal heat output (P <sub>nom</sub> /kw)	1.0	1.5	2.0	2.5
Minimum heat output (indicative) (P <sub>min</sub> /Kw)	1.0	1.5	2.0	2.5
Maximum continuous heat output (P <sub>max.c</sub> /kw)	1.0	1.5	2.0	2.5
<b>Auxiliary electricity consumption</b>				
At nominal heat output (e <sub>lmax</sub> /KW)	N/A	N/A	N/A	N/A
At minimum heat output (e <sub>lmin</sub> /KW)	N/A	N/A	N/A	N/A
In standby mode (e <sub>lSB</sub> /W)	0.00089	0.00089	0.00089	0.00089

<b>Control options (multiple selections possible)</b>	
Manual heat charge control, with integrated thermostat	No
Manual heat charge control with room and/or outdoor temperature feedback	No
Electronic heat charge control with room and/or outdoor temperature feedback	No
Fan assisted heat output	No
Single stage heat output and no room temperature control	No
Two or more manual stages, no room temperature control	No
With mechanic thermostat room temperature control	No
With electronic room temperature control	No
Electronic room temperature control plus day timer	No
Electronic room temperature control plus week timer	Yes
Room temperature control, with presence detection	No
Room temperature control, with open window detection	No
With distance control option	Yes
With adaptive start control	No
With working time limitation	No
With black bulb sensor	No



**Do not Cover  
Risk of overheating**



## Maintenance

### **Always turn off the heater before any maintenance is carried out.**

Clean the outer surface with a soft damp cloth and dry well.

Clean your appliance at least once a year with a vacuum cleaner to remove any dust deposits.

Never immerse the device in water or any other liquid.

The coating of your radiator ensures perfect and unalterable protection. To clean it, use only a neutral detergents (cleaner or non-abrasive solvent).

The thermostat housing is made of plastic, do not use solvents.

Any repair must be carried out by the manufacturer or its representatives.

### **WARNING:**

Never try to open the radiator even when it is not electrically powered.

### **Declaration of conformity**

This product is conform to the following European Directives:

2014/30/EU (EMC)

2014/35/EU (LVD)

2011/65/EU (RoHS)

2009/125/EC (ErP) + Regulation (EU) 2015/1188

## Your Guarantee

To find the specific guarantee for your products please refer to the website.

The guarantee starts from the date of purchase. The guarantee covers you against issues caused as a result of manufacturing related issues, it does not apply to issues that are found to be a result of poor installation.

Labour costs for installation of the products are not covered under this warranty.

## Aftercare

Clean any marks with a soft, dry or damp cloth, for stubborn stains please clean with mild soapy water and dry with a soft cloth. DO NOT use abrasive or acidic cleaners.

If you are unsure, please contact us first.

## Recycling and Disposal

The **Waste Electrical and Electronic Equipment Directive (WEEE Directive)** is the **European Community directive 2012/19/EU on Waste Electrical and Electronic Equipment (WEEE)** which, together with the **RoHS Directive 2002/95/EC**, became European Law in February 2003.

The WEEE directive aims to reduce the amount of electrical equipment being produced and to encourage everyone to reuse, recycle and recover it.

In support of these guidelines and for environmental safety, do not dispose of any electrical equipment including those marked with the below symbols.

When replacing old electrical devices with new ones the retailer is legally obligated to take back your old items for disposal free of charge. You can also recycle your old electrical devices free of charge at your local recycling center. Please contact your local council for more information.

Please recycle the packaging in accordance with your local government regulations on waste handling and follow the same advice at the end of the products life.

Product - Steel.

Packaging - Cardboard, plastic.

## Contact us

Unit 1 & 2 Dawson Ct

Burnley

Lancashire

BB11 5UB

