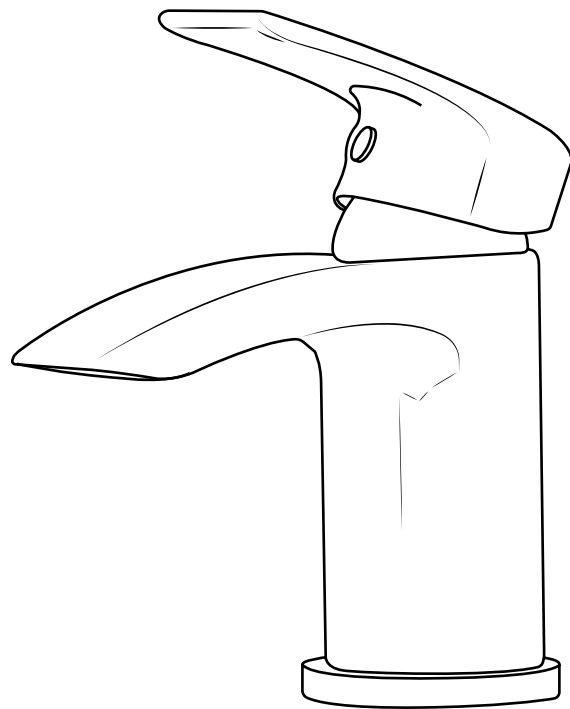


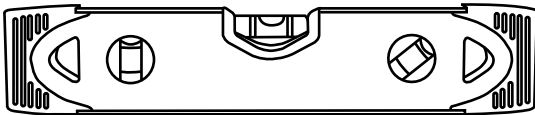
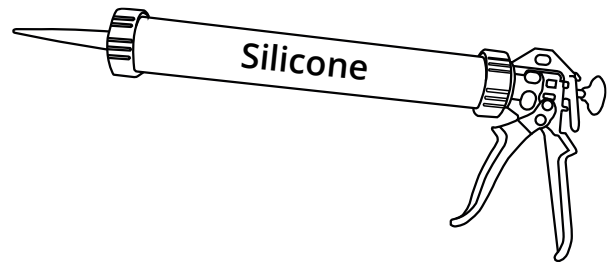
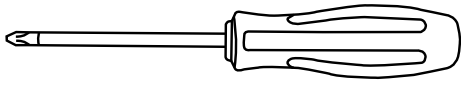
# Mono Basin Tap



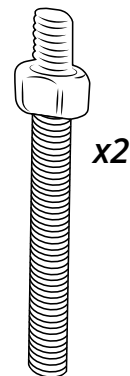
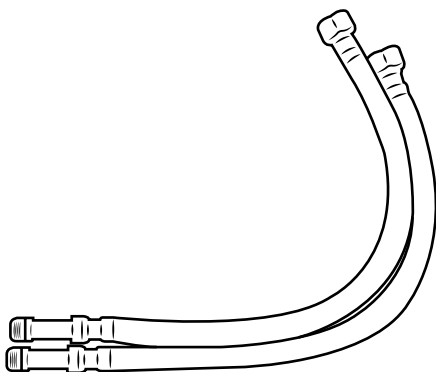
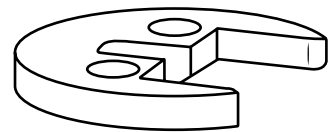
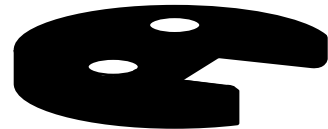
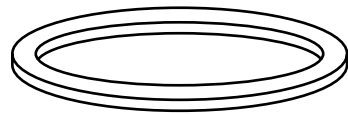
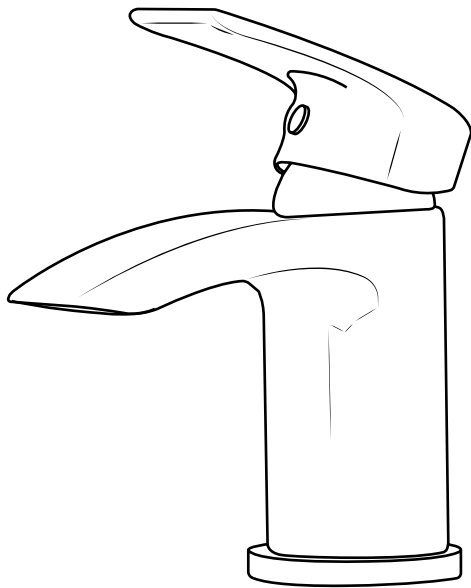
Installation Guide

# Installation

## Tools required for installing:



## Parts included:



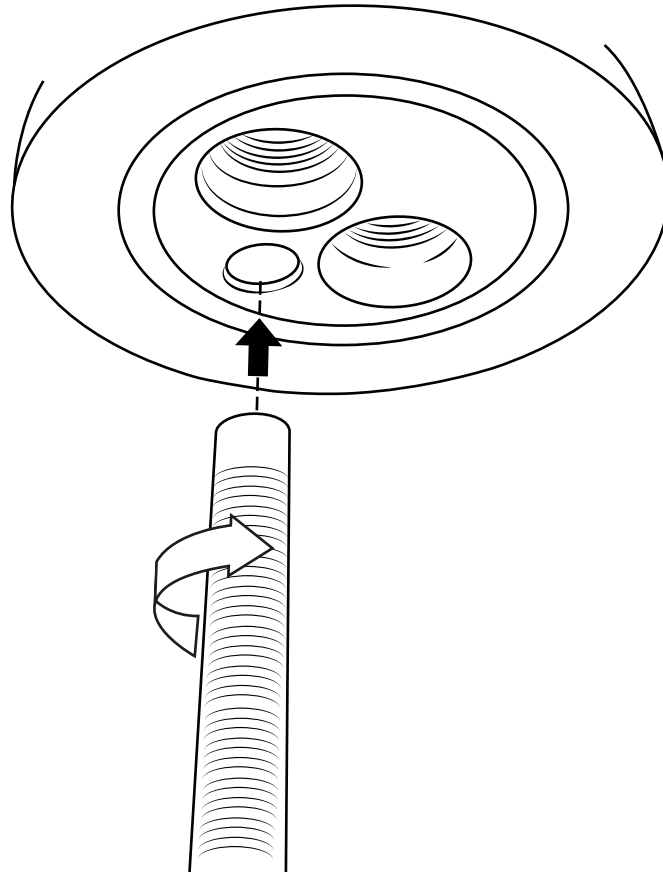
1



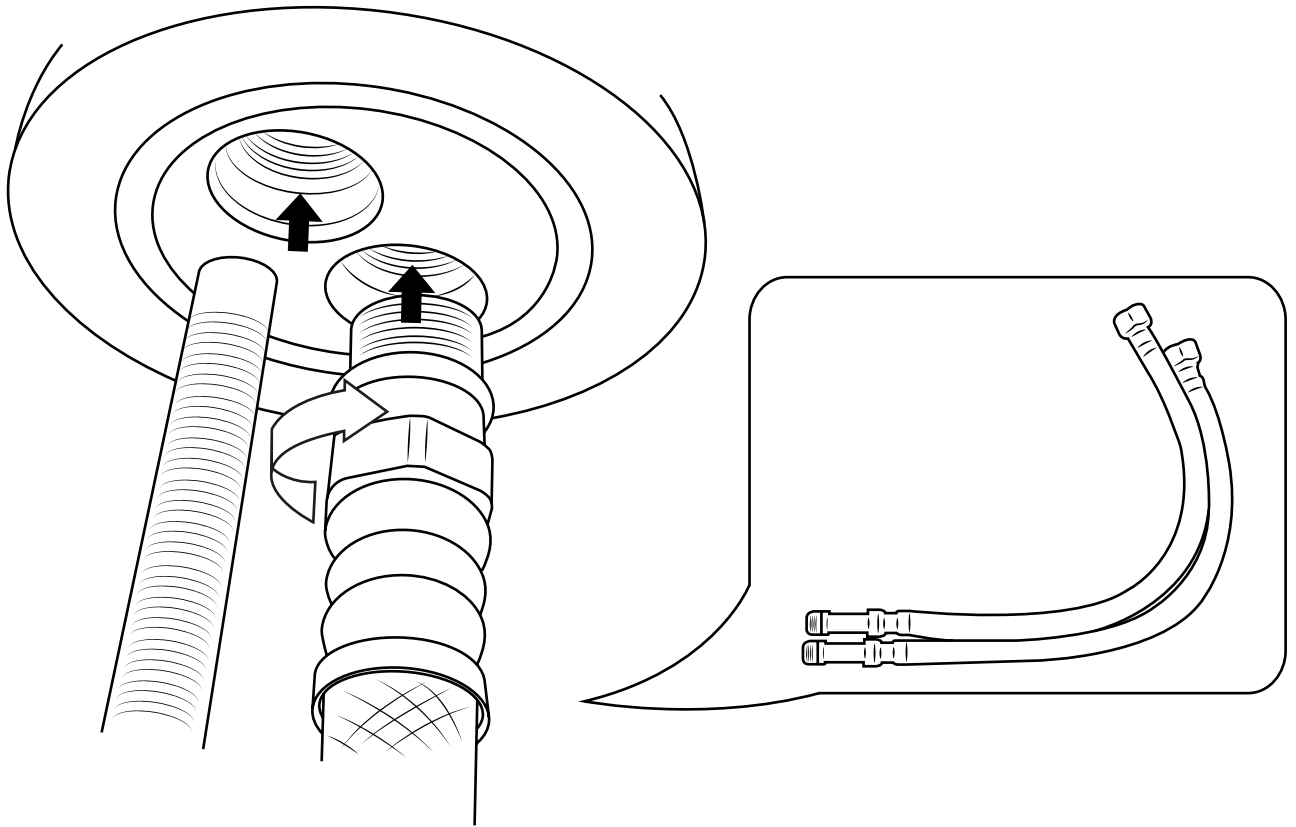
\*Remember to install the 'O' ring or washer between the mixer body & sanitary ware\*

Ø 35mm

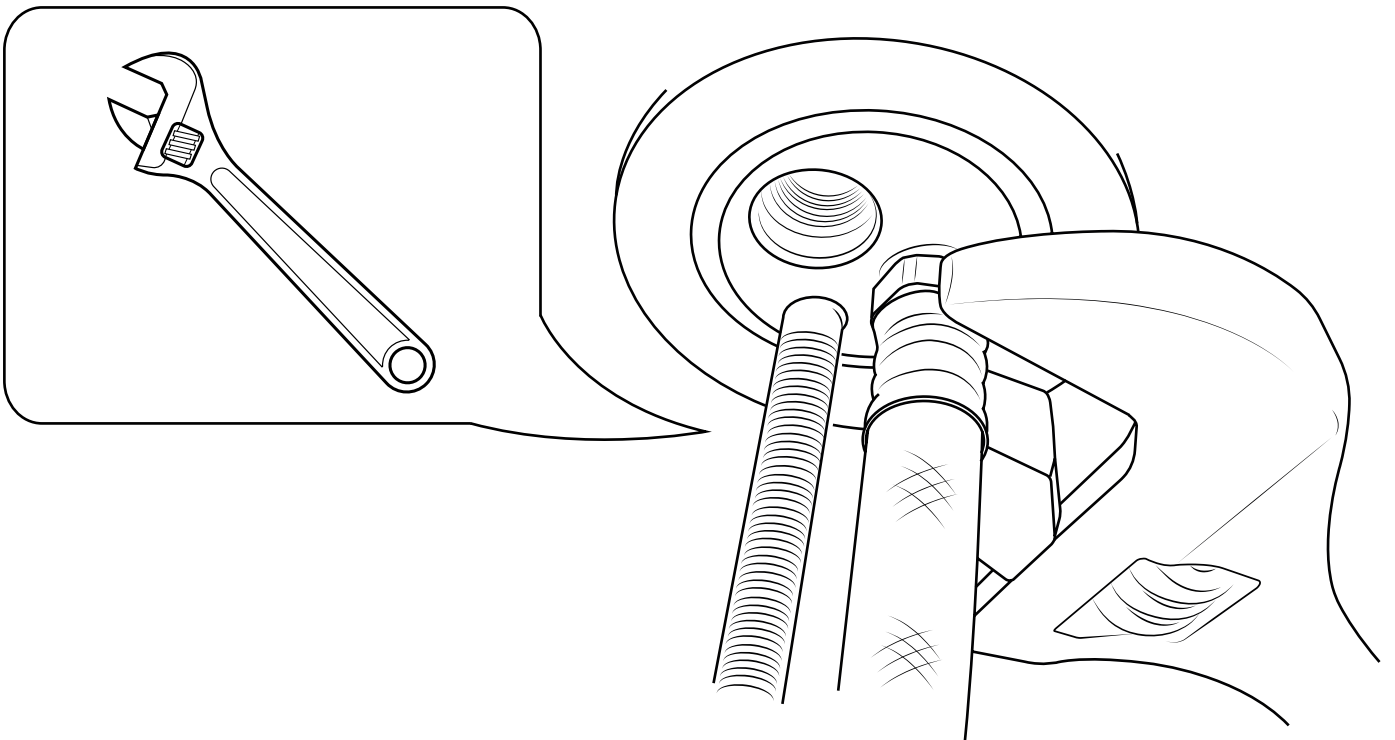
2



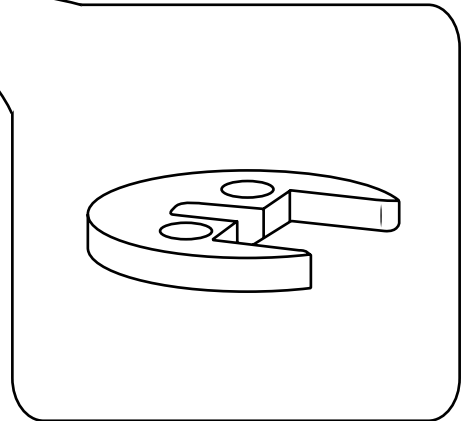
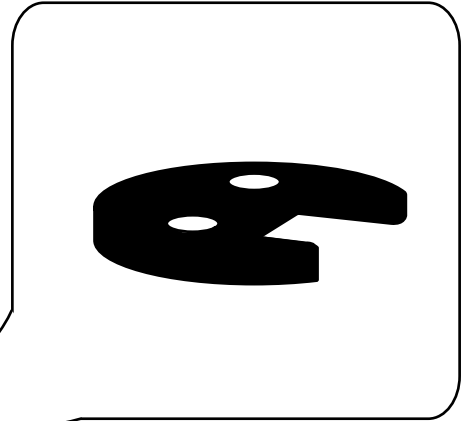
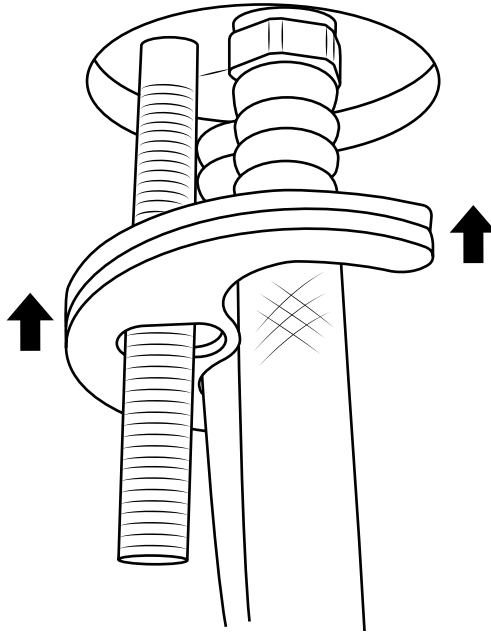
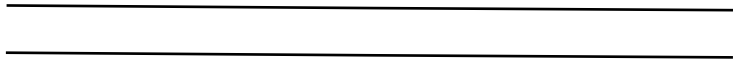
3



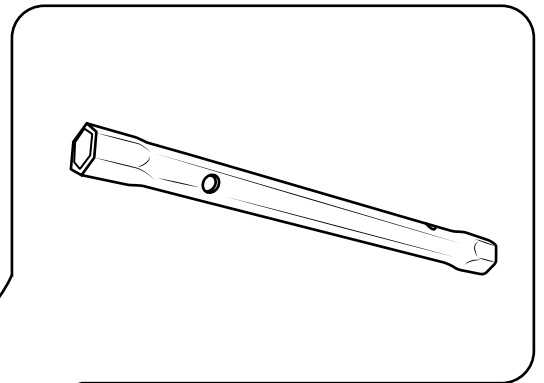
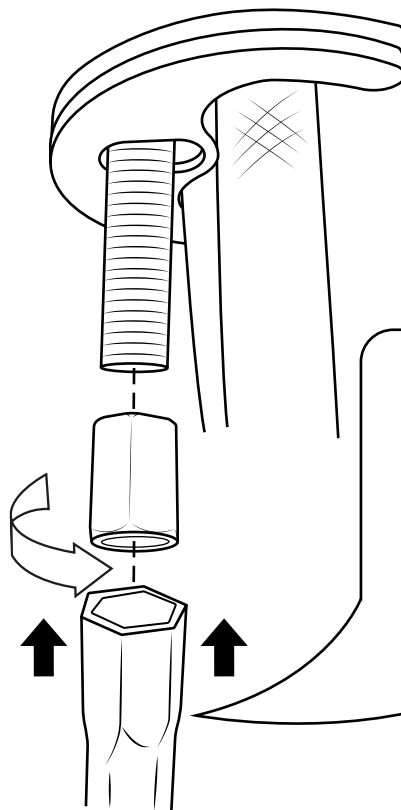
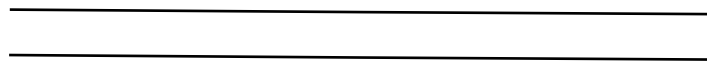
4



5



6



---

7

