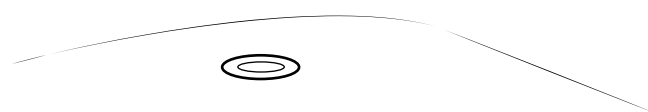
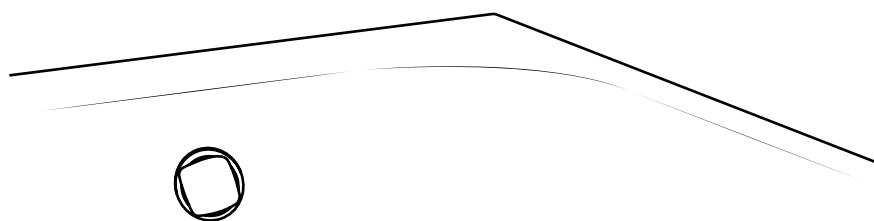



# Overflow Bath Filler



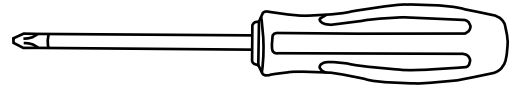
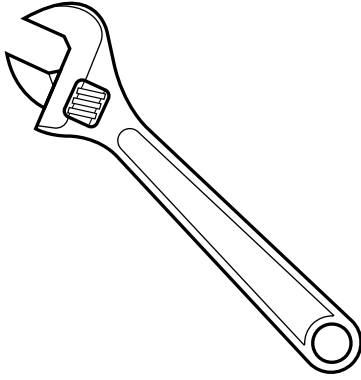
 Style may vary

Installation Guide

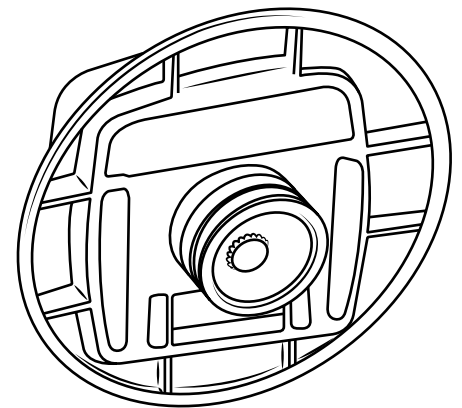
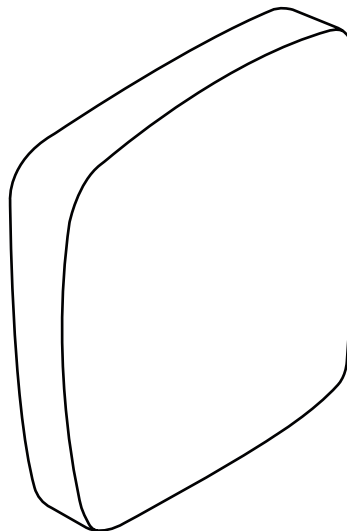
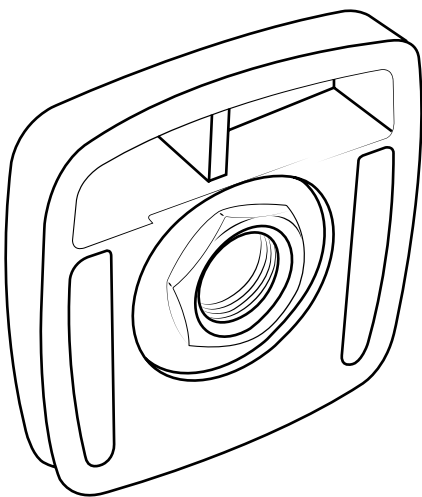
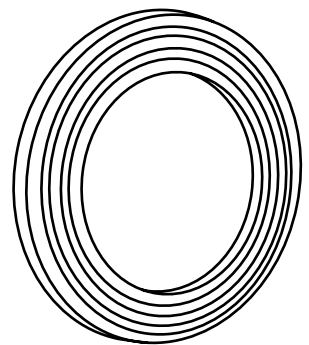
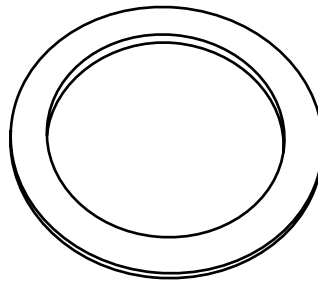
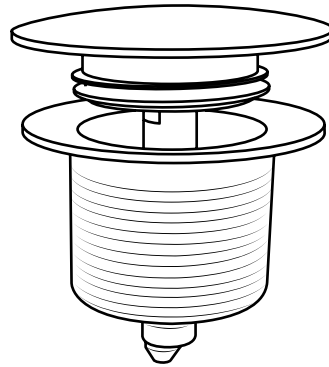
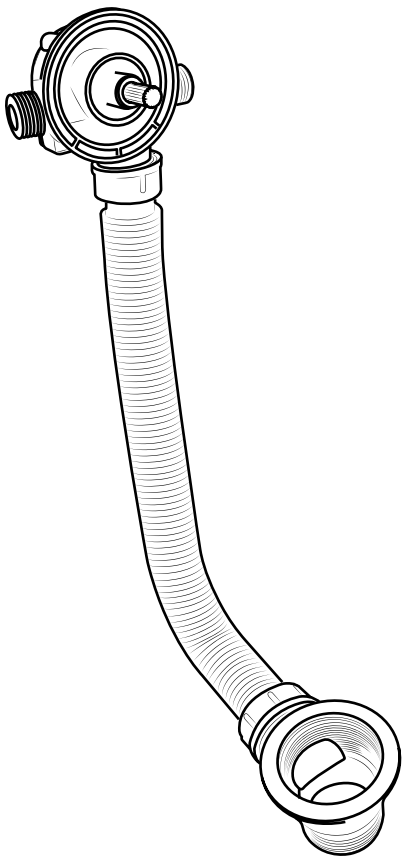
# Installation

---

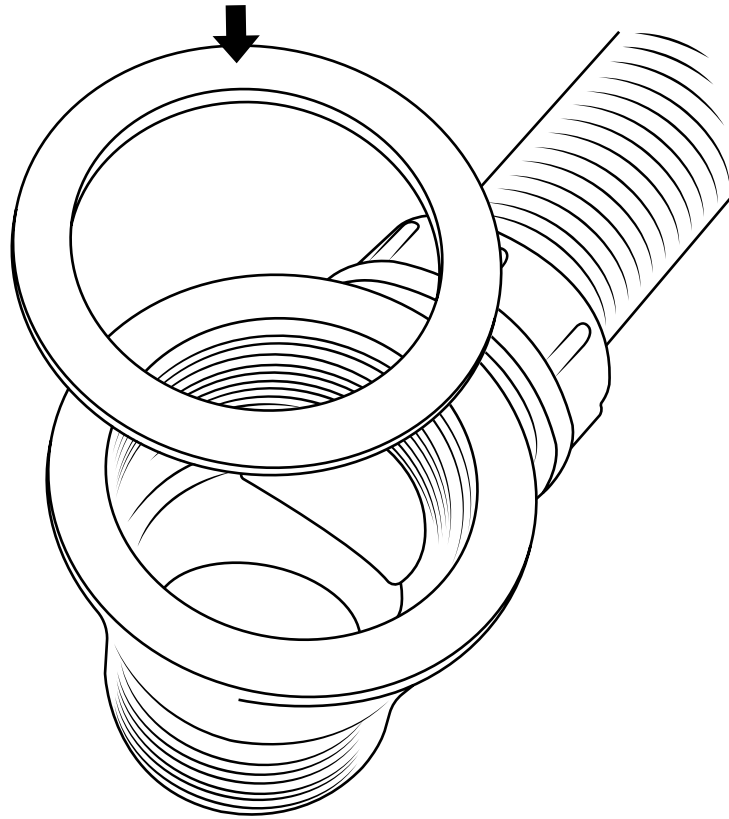
***Tools required for installing:***



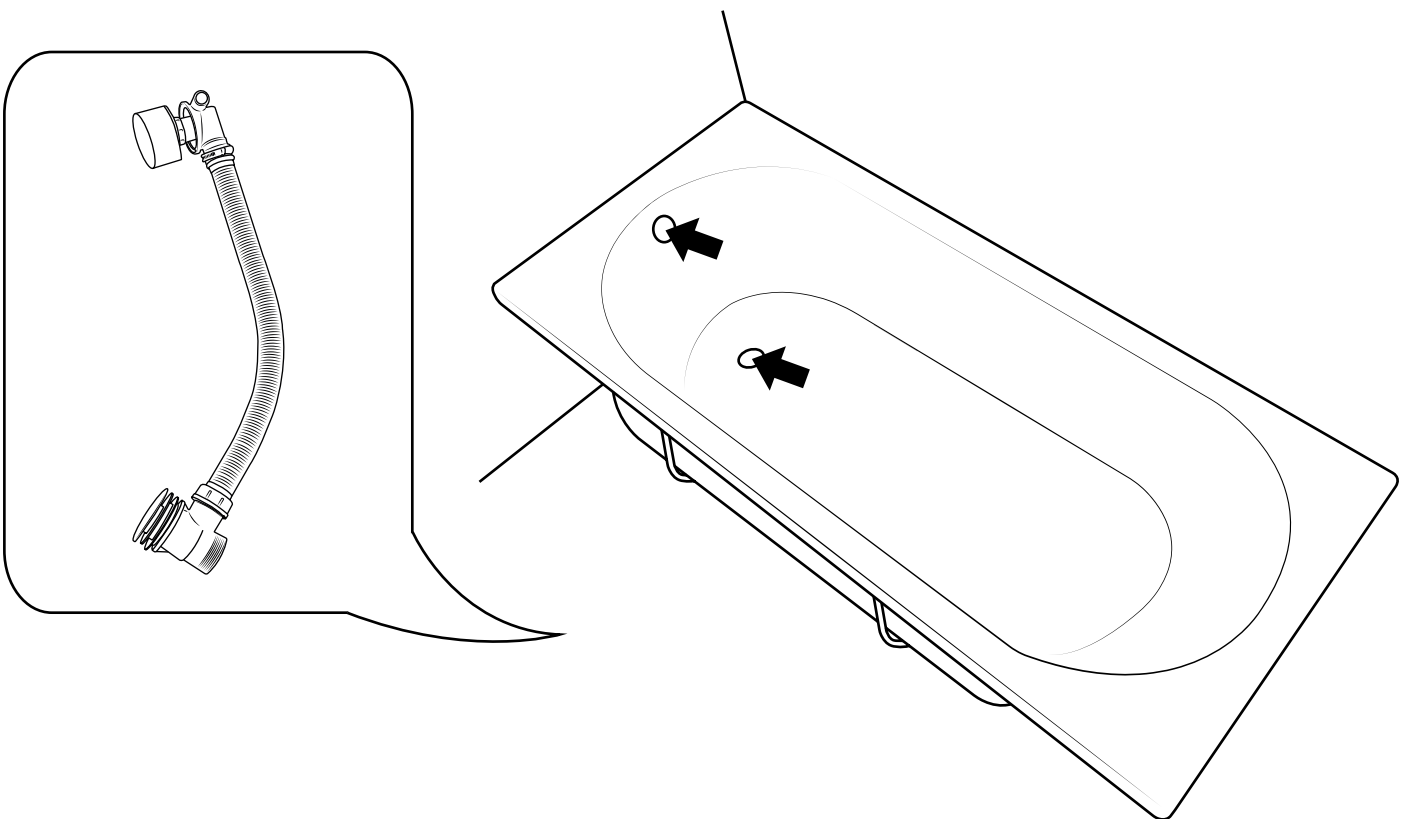
*Parts included:*



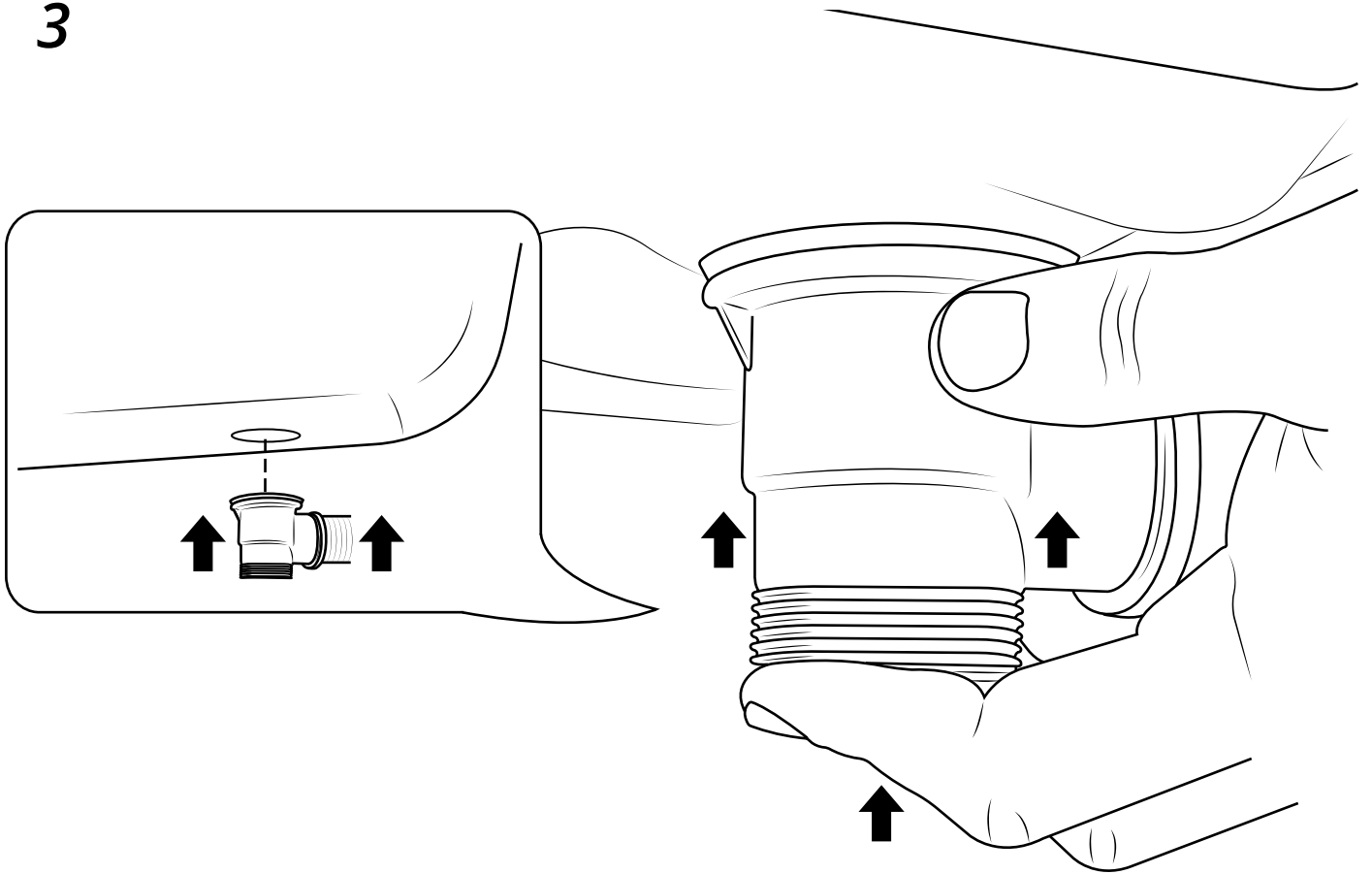
1



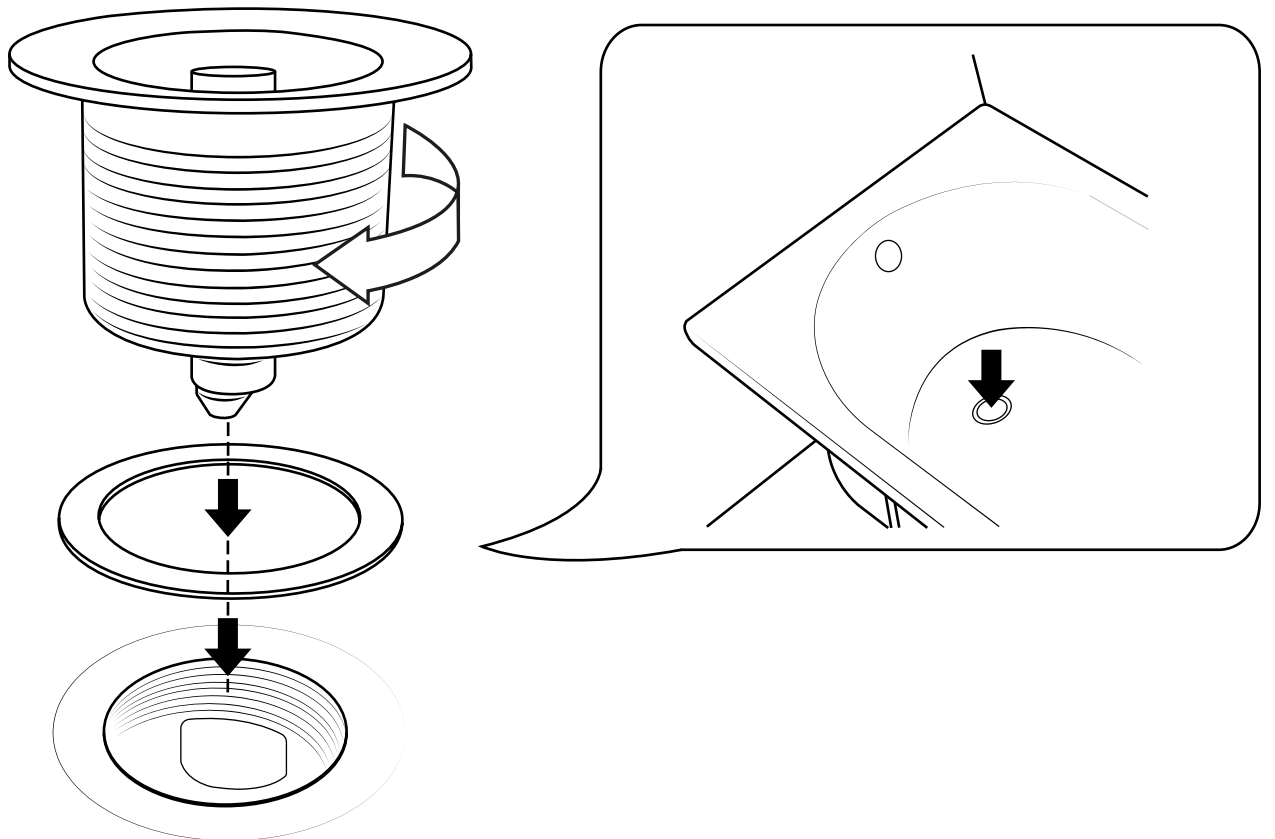
2



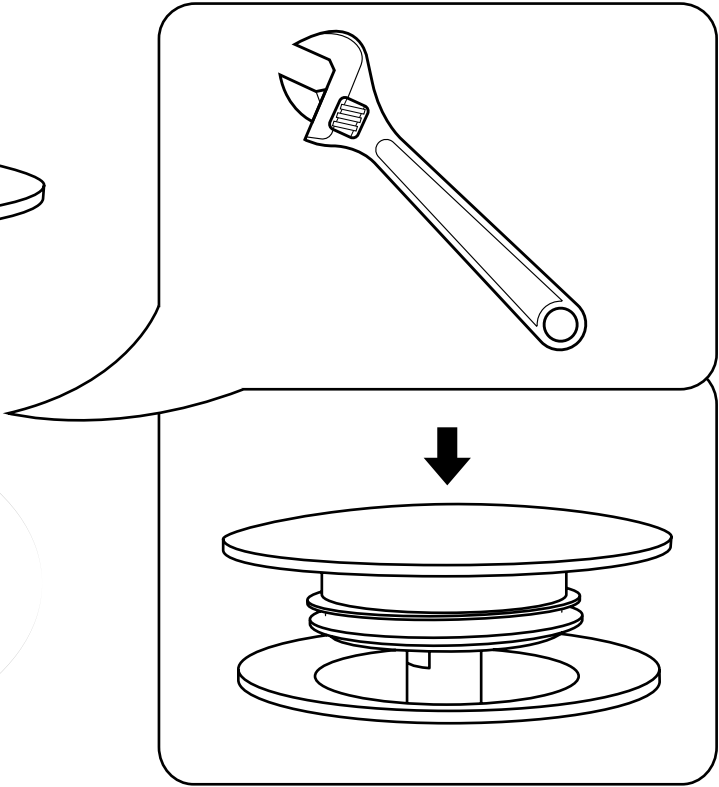
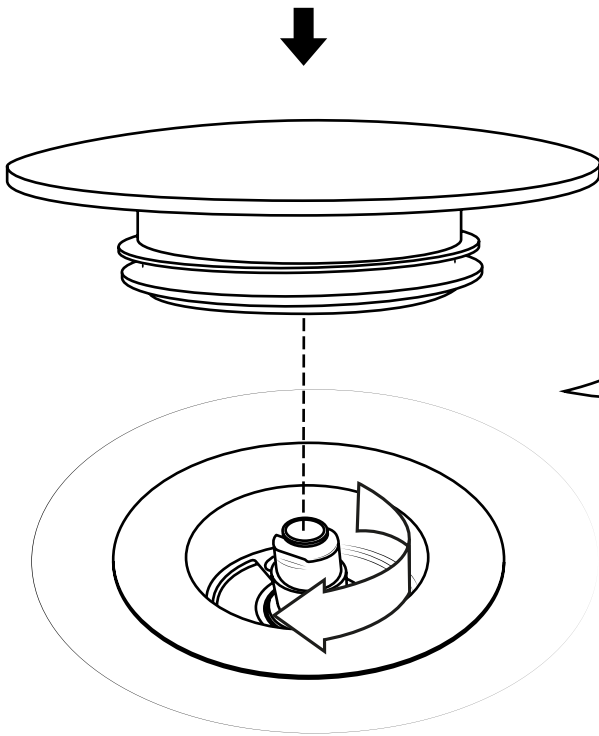
3



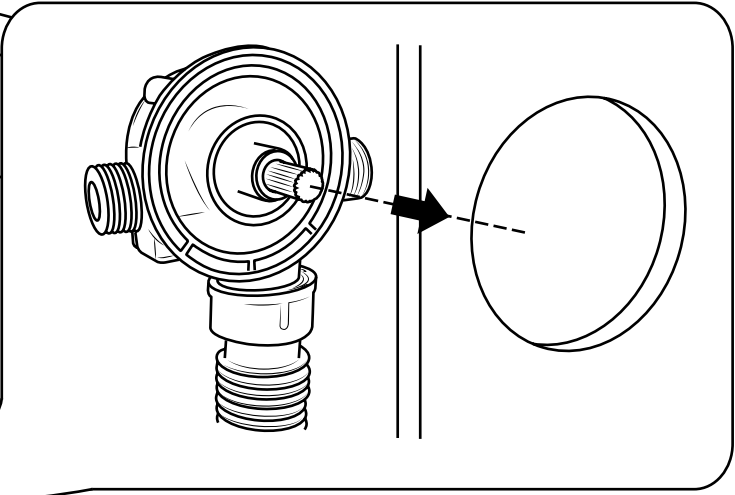
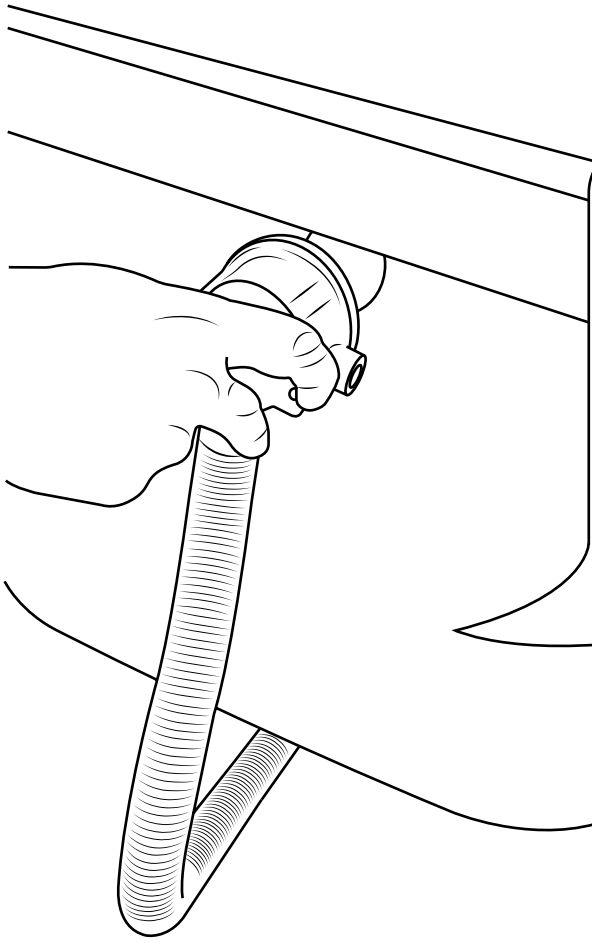
4



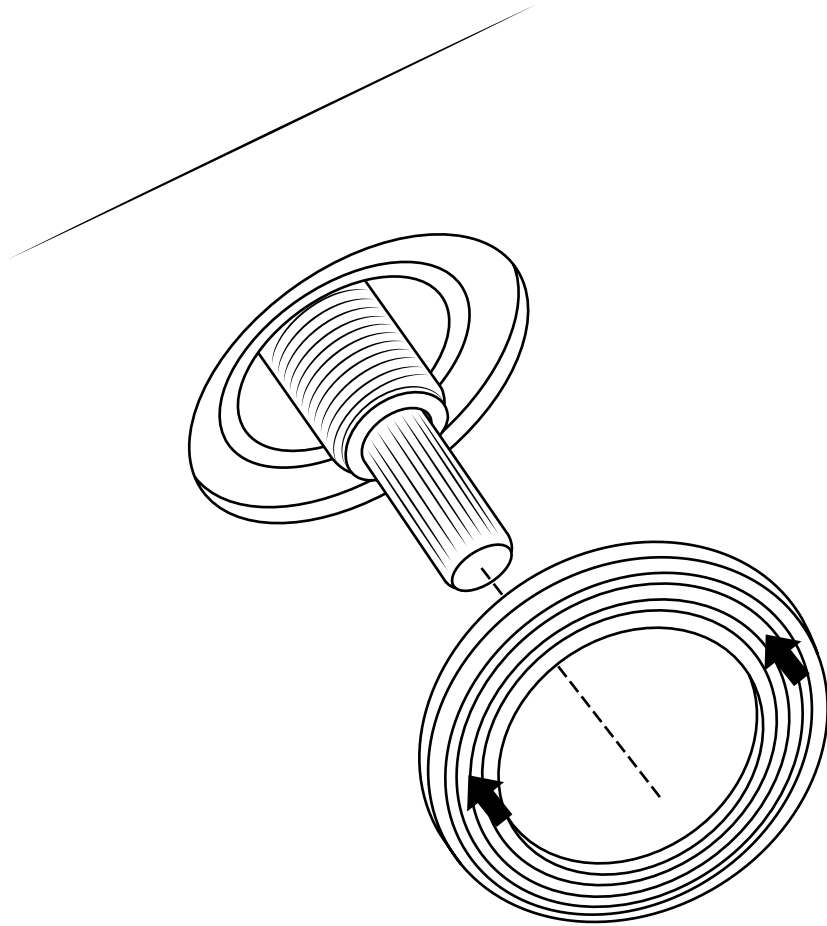
5



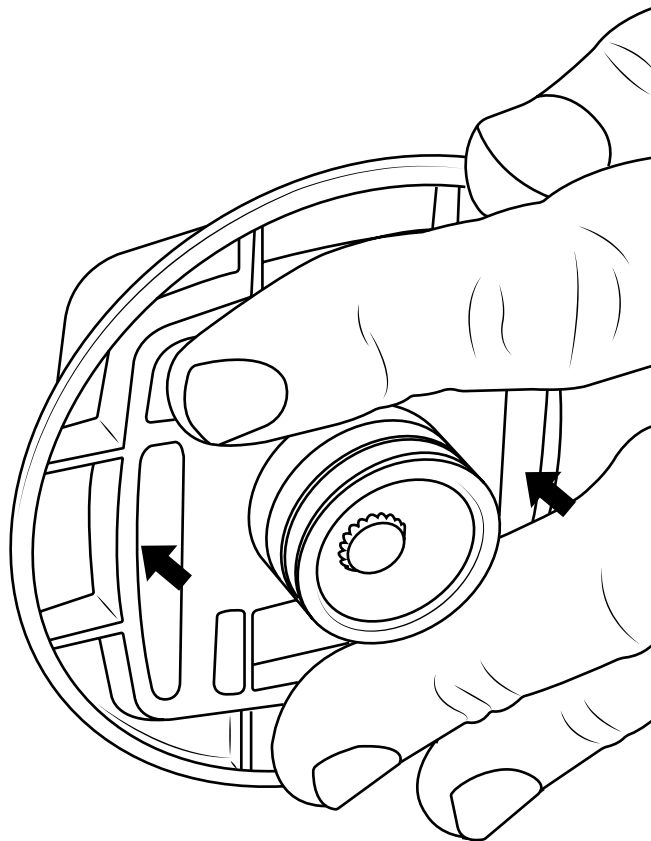
6



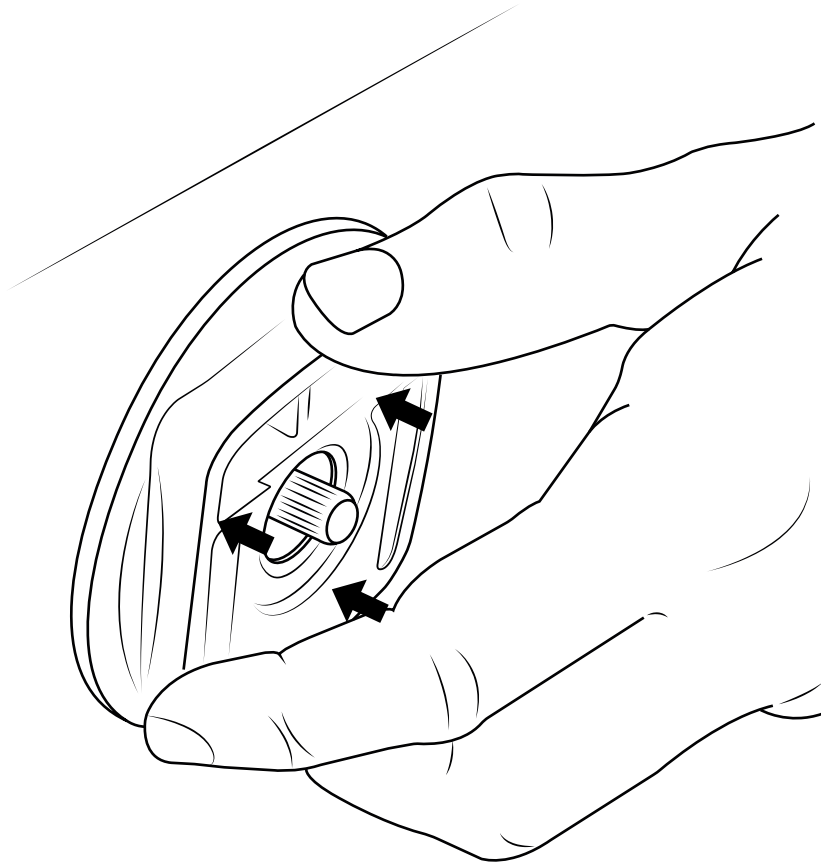
7



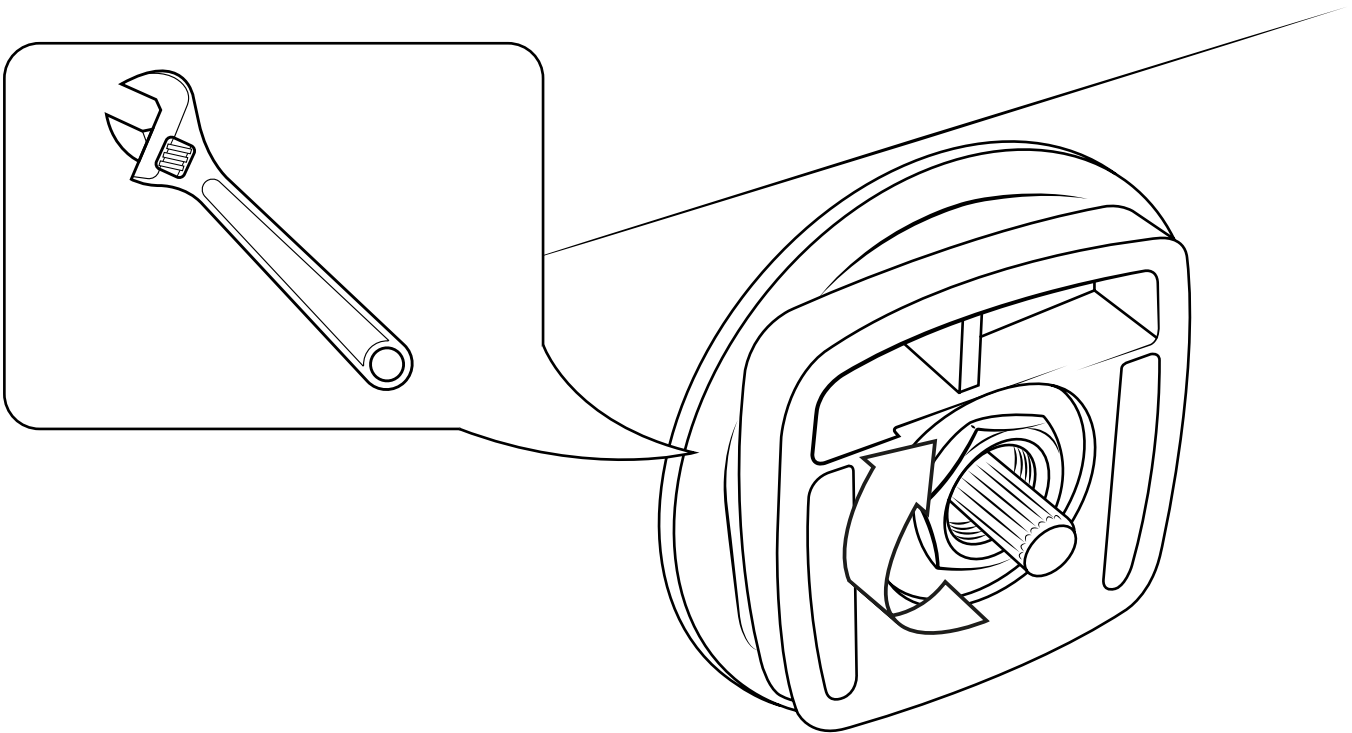
8



9

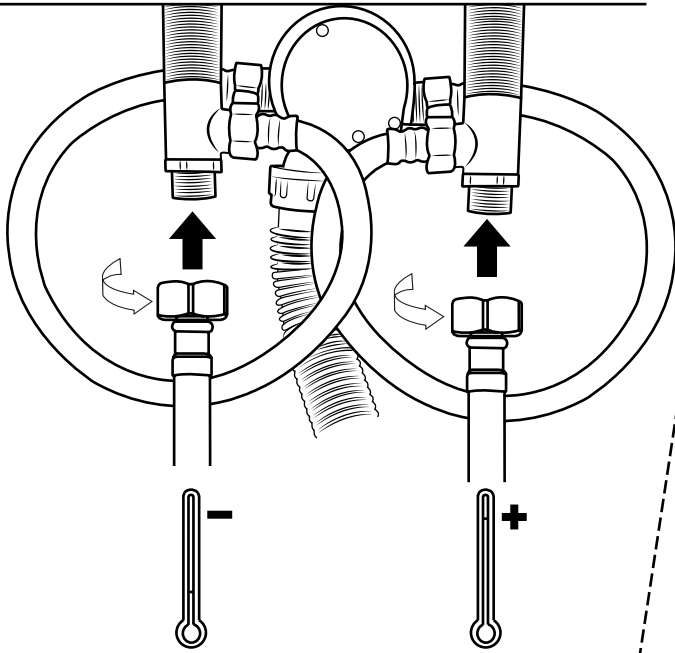


10

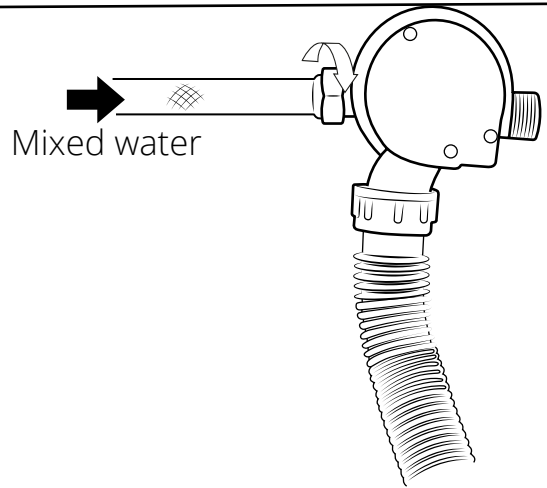


# 11

**i** Option 1

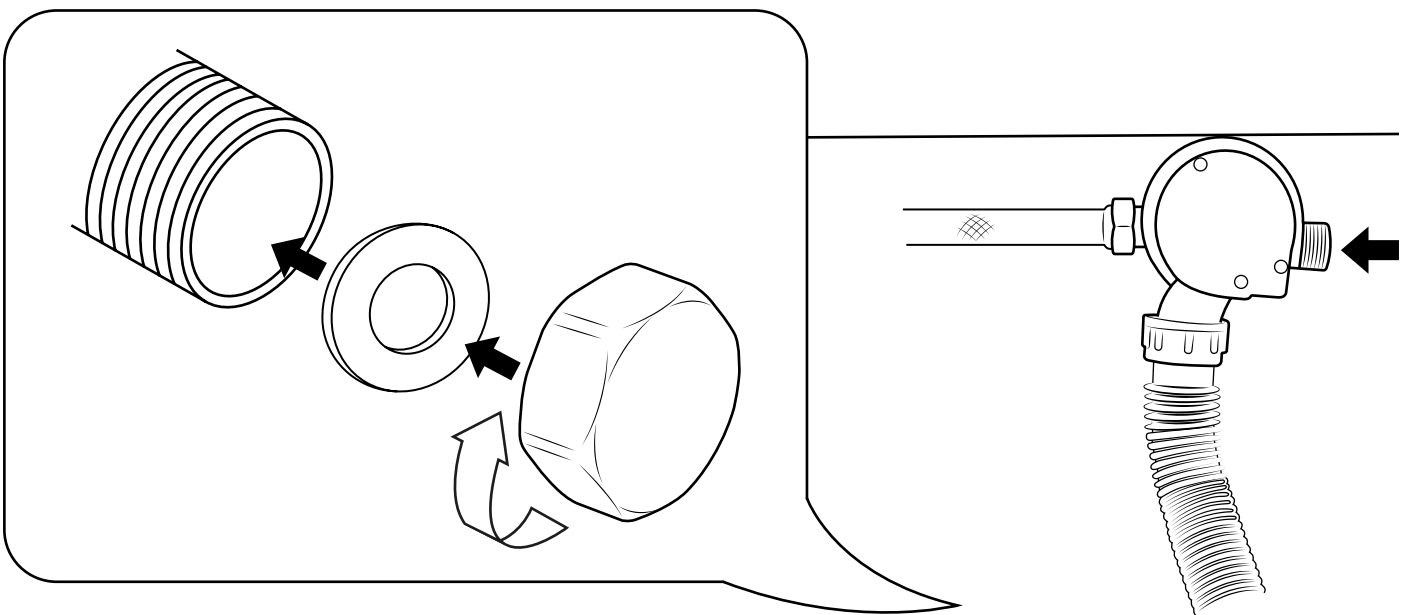


**i** Option 2

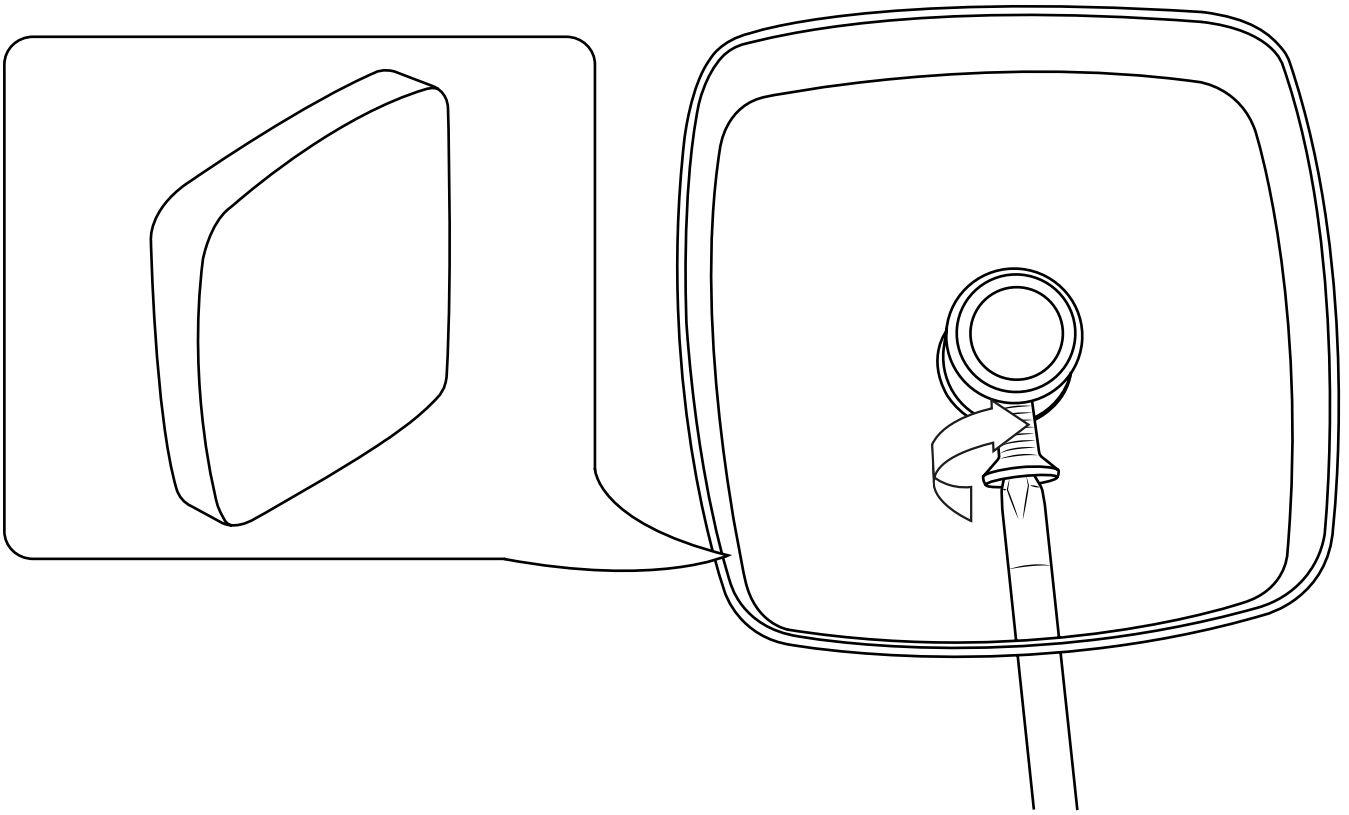


# 12

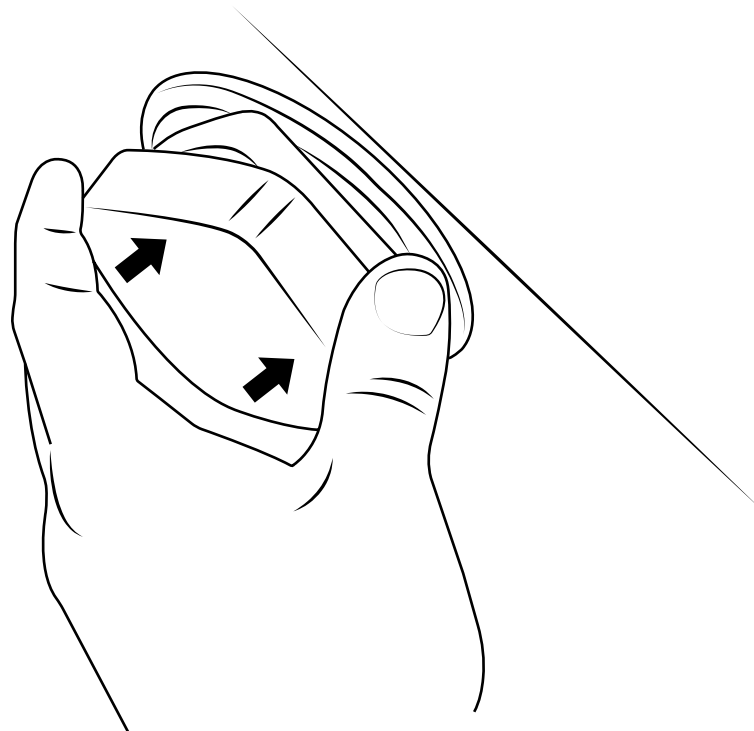
**i** Option 2 continued (Not included)



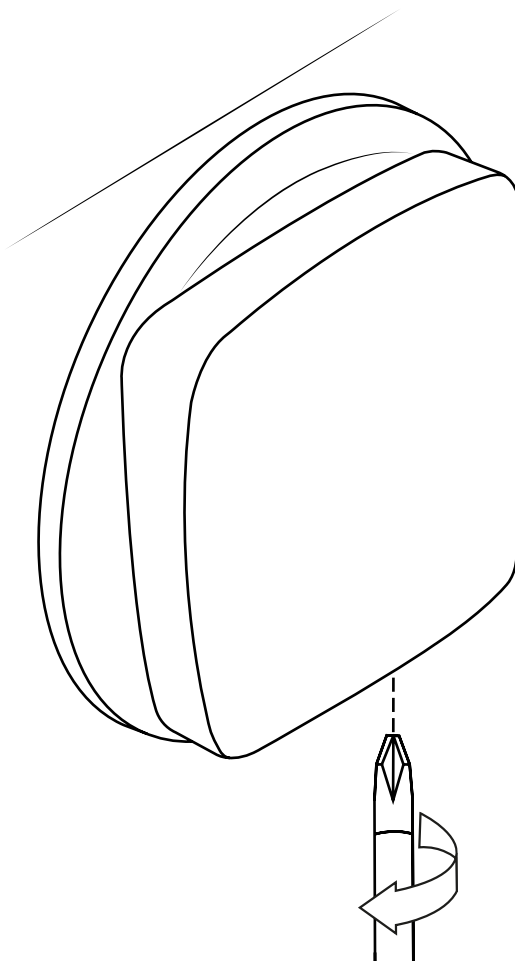
13



14



15



16

