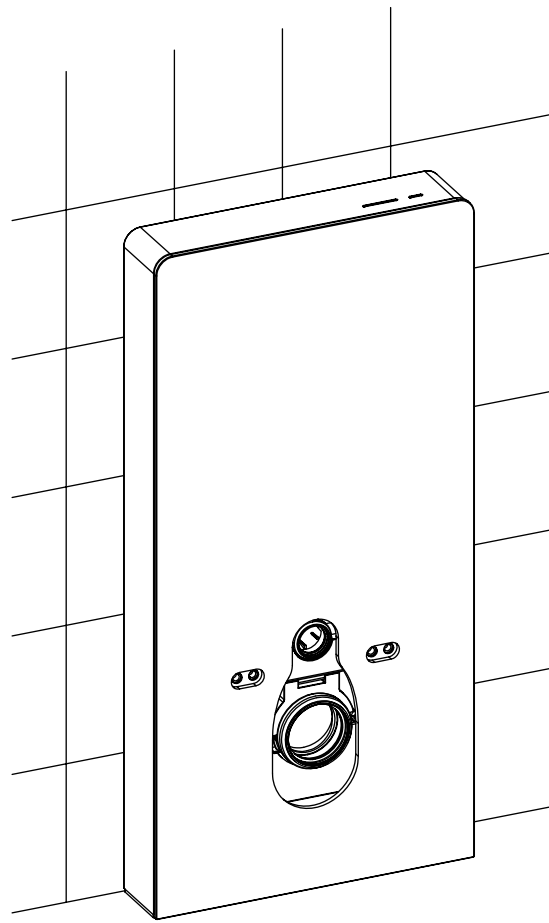


# Wall Hung WC Cabinet

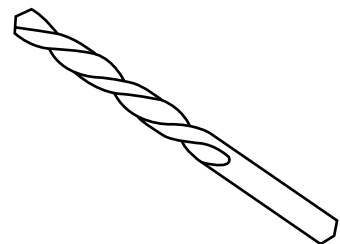
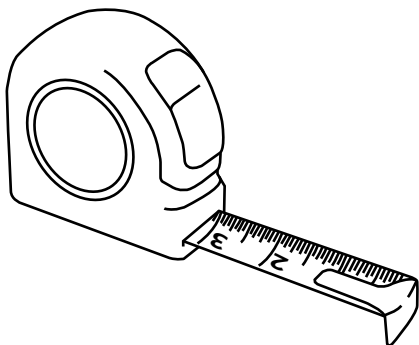
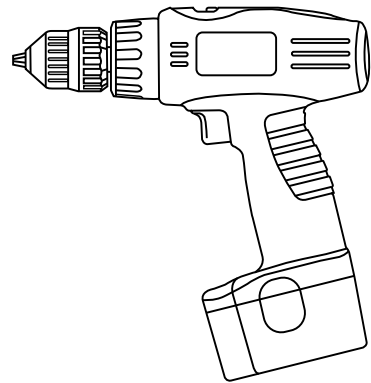
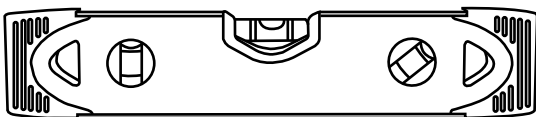
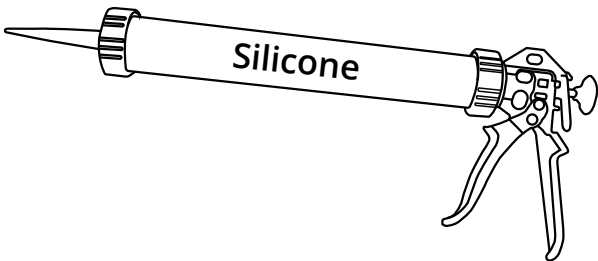
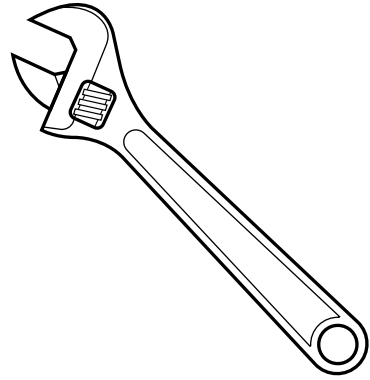
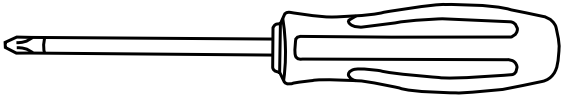


Installation Guide

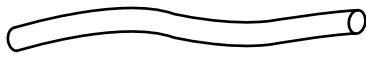
# Installation

---

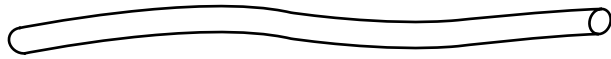
*Tools required for installing:*



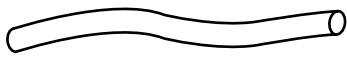
**Parts Included:**



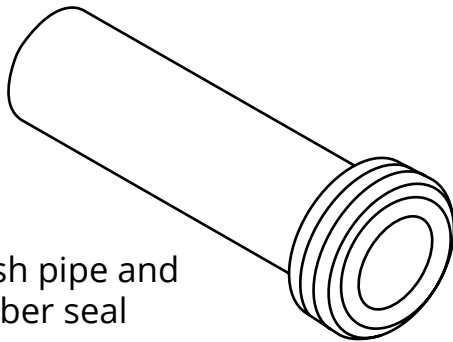
Transparent air hose 350mm



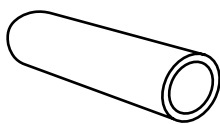
Transparent air hose 650mm



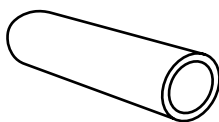
Blue air hose 300mm



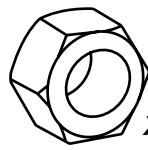
Flush pipe and rubber seal



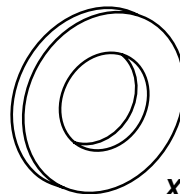
x2  
Expansion nut  
6-8mm



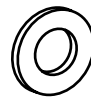
x2  
Expansion nut  
8\*40



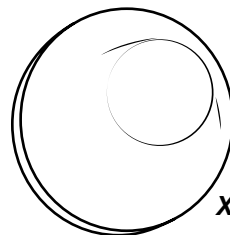
x2  
M12 Nut



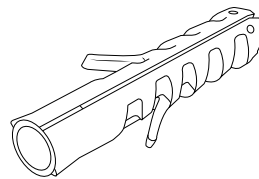
x2  
Large washer



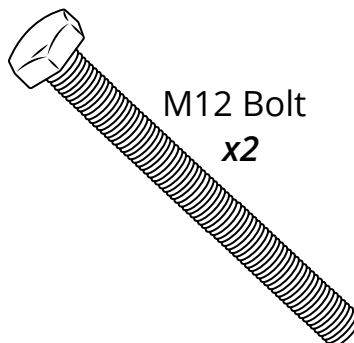
x2  
Washer



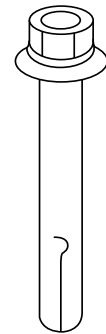
x2  
Rubber sleeve



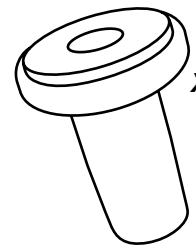
Plug



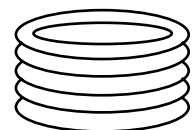
M12 Bolt  
x2



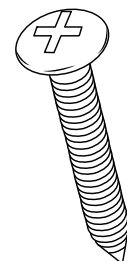
x2  
Steel expansion bolts



x2  
Decorative cap and sleeve

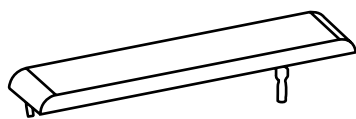


Rubber seal

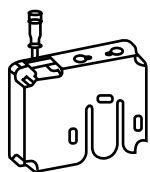


Screw

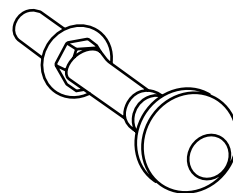
**Parts Included:**



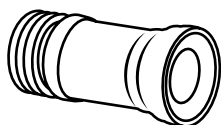
Plastic sensor cover



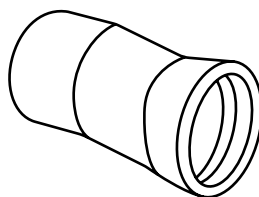
Plastic cover assembly



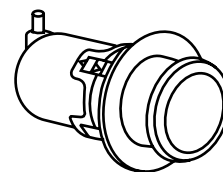
Screw set



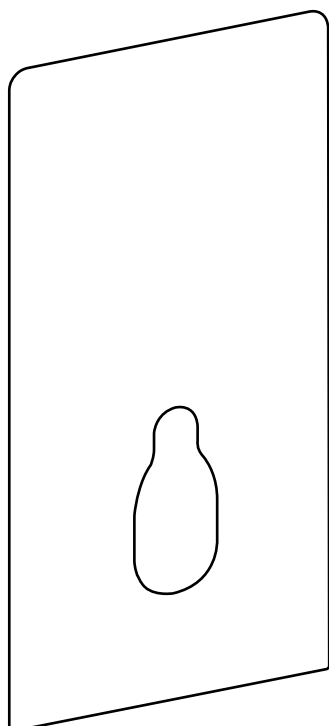
Drainage eccentric pipe



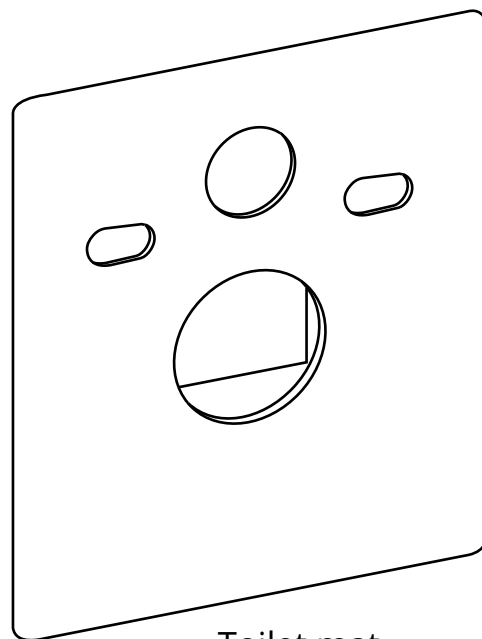
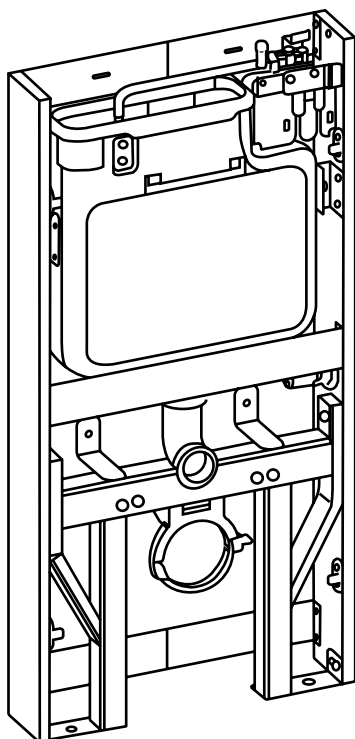
Eccentric pipe



Manual button



Panel

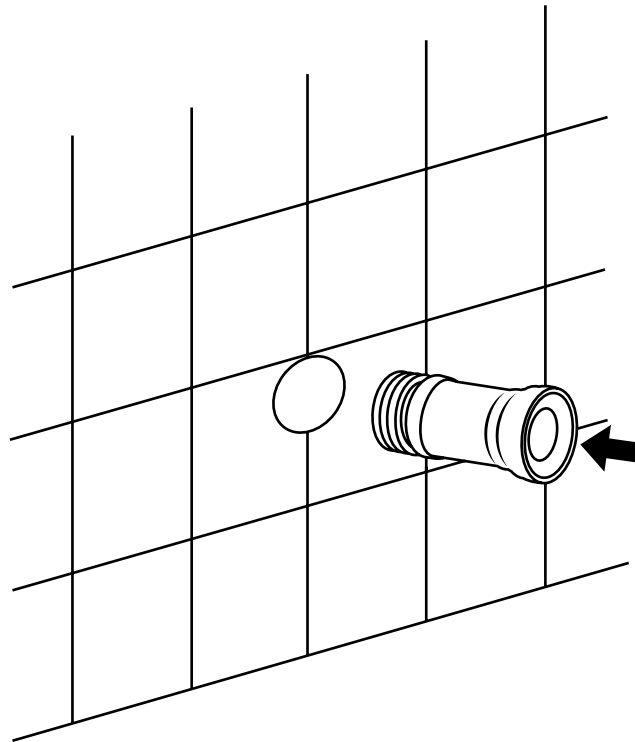


Toilet mat

## Technical Specification:

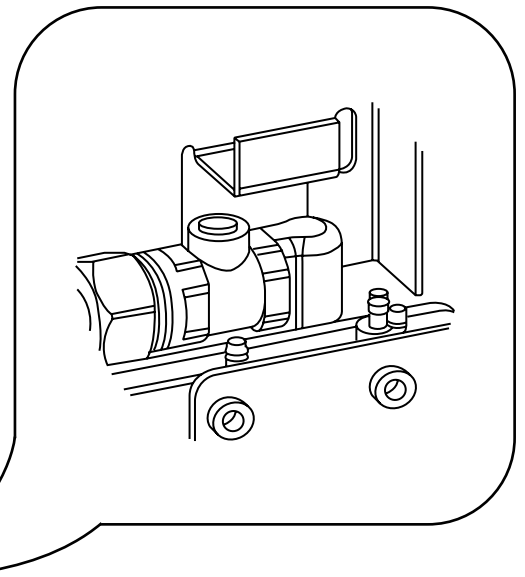
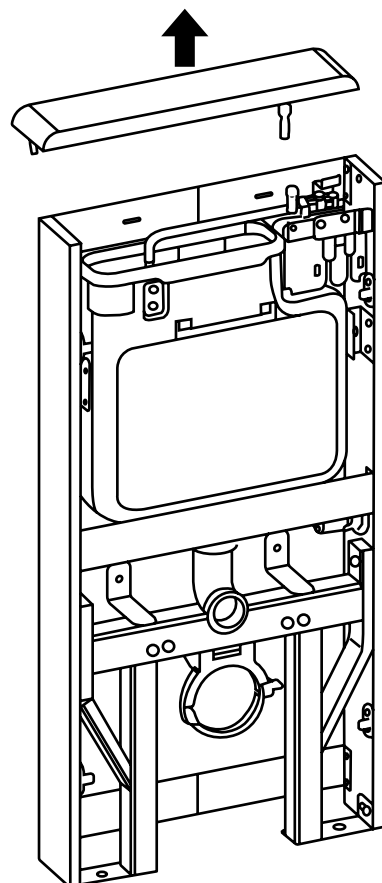
Name	Automatic Infrared cabinet cistern for wall-hung WC	
Model	BCTWF004WH      BCTWF005BL	
Technical Specification	rated voltage	220V AC, 50HZ
	ambient temperature	3~40°C
	water supply pressure	0.07~0.75MPa
	water supply temperature	4~35°C
	waterproof rating	IPX4
	dimension	1003.5mm X 483mm X 108mm

1

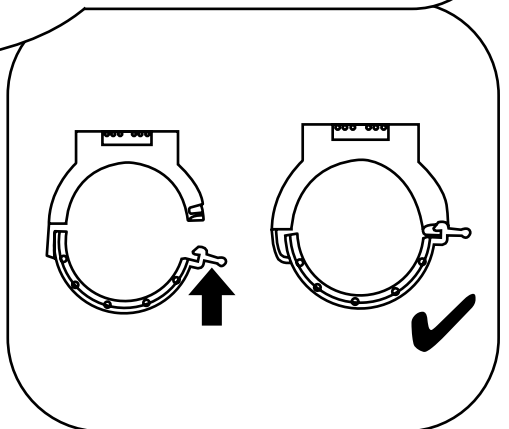
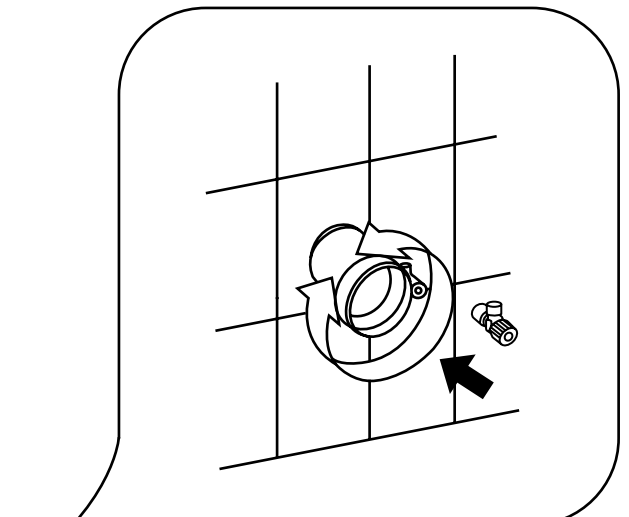
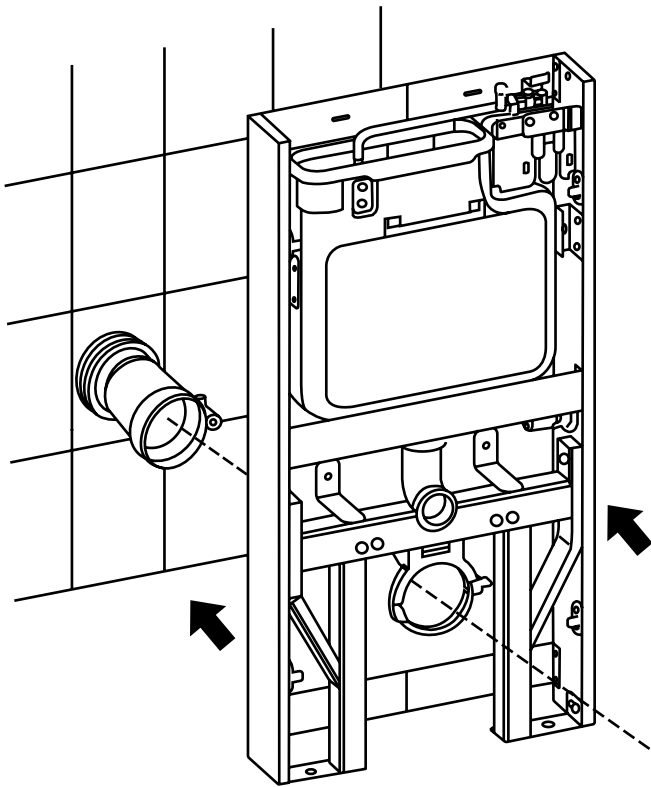


2

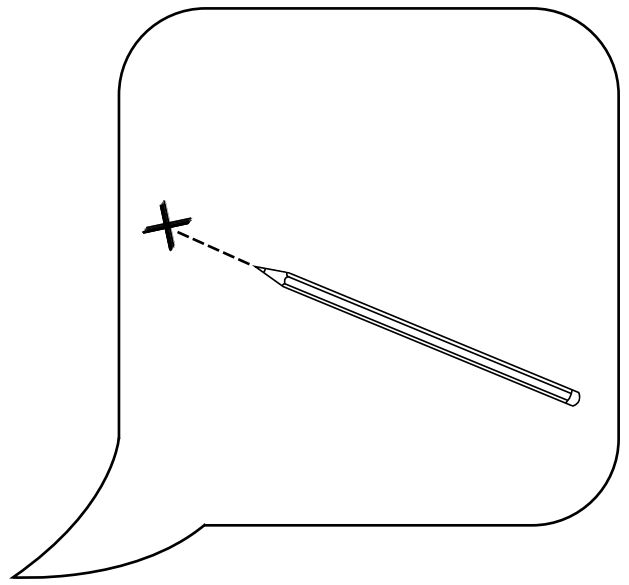
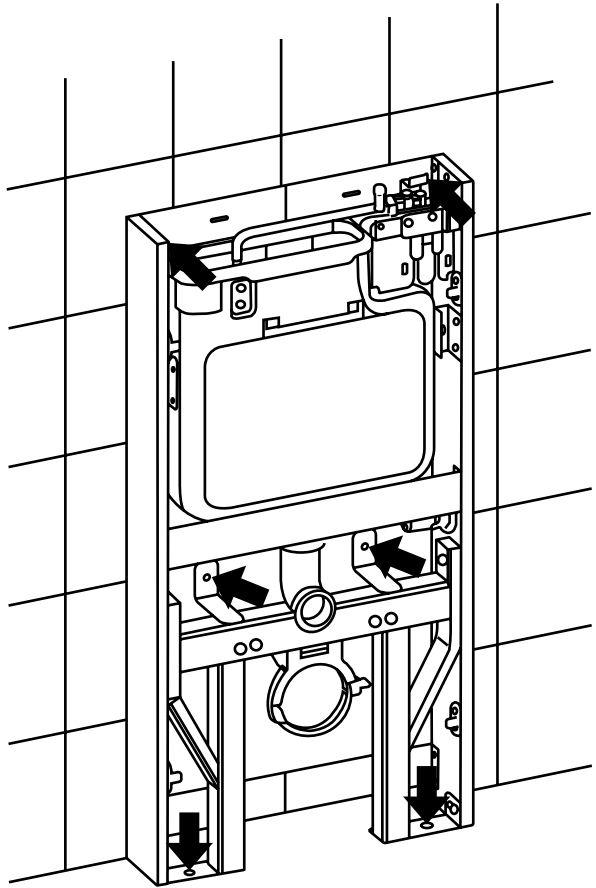
Remove the upper cover



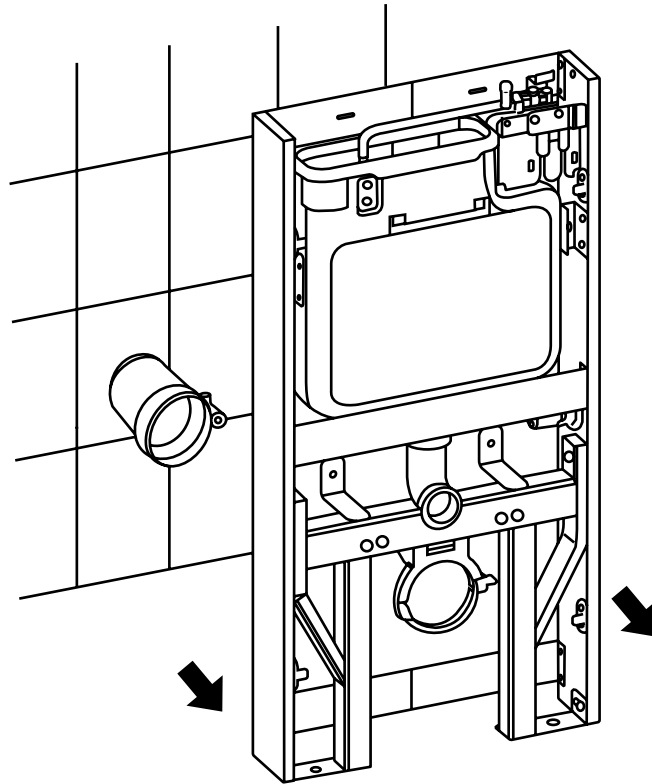
3



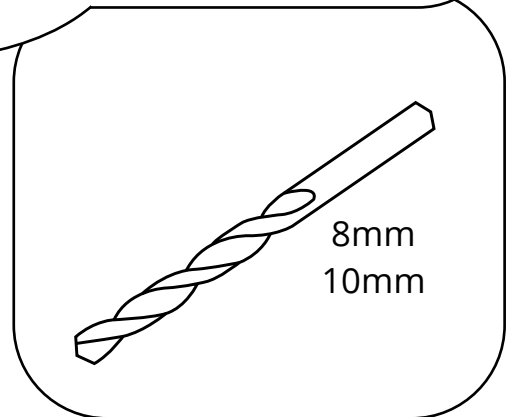
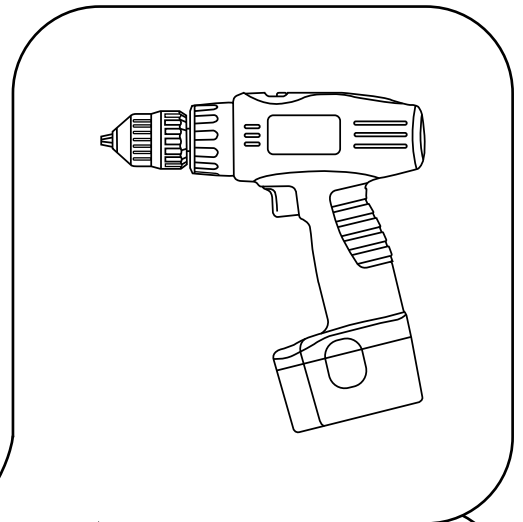
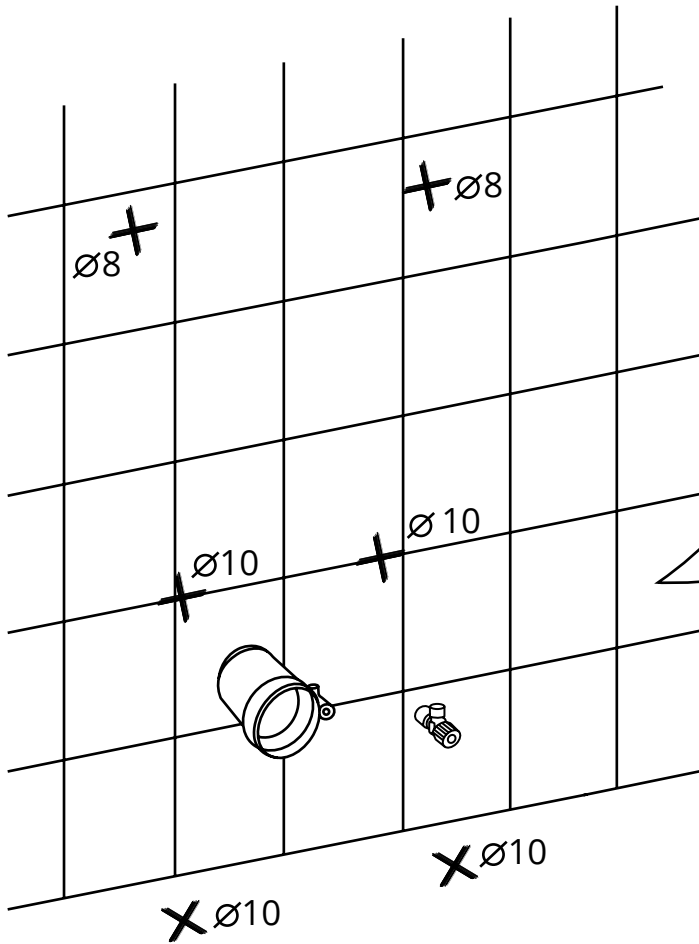
4



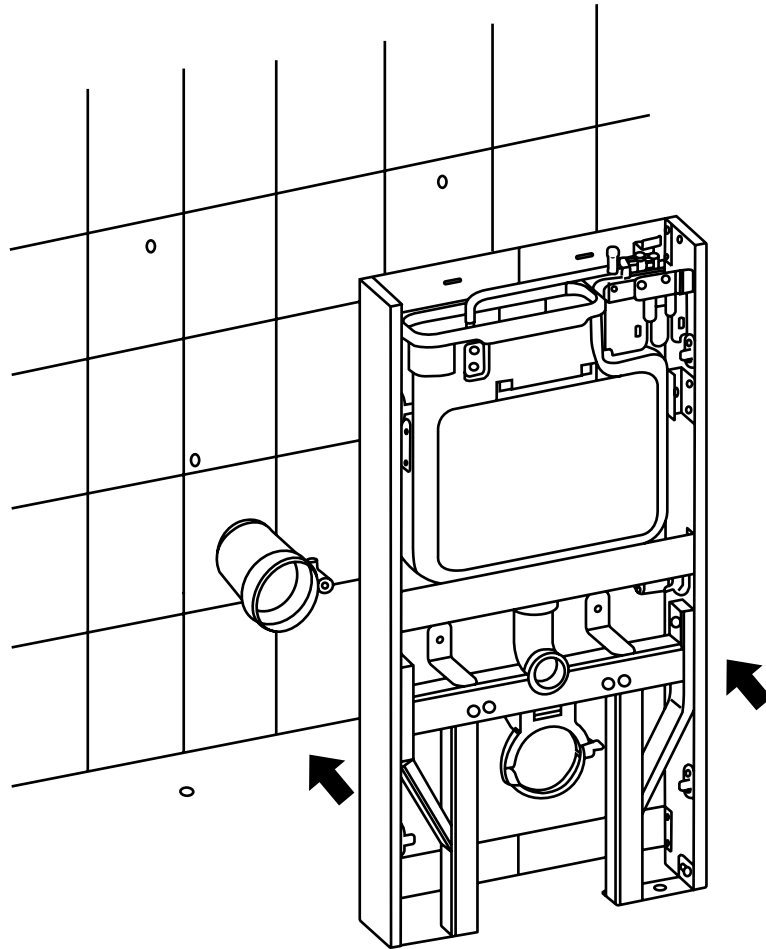
5



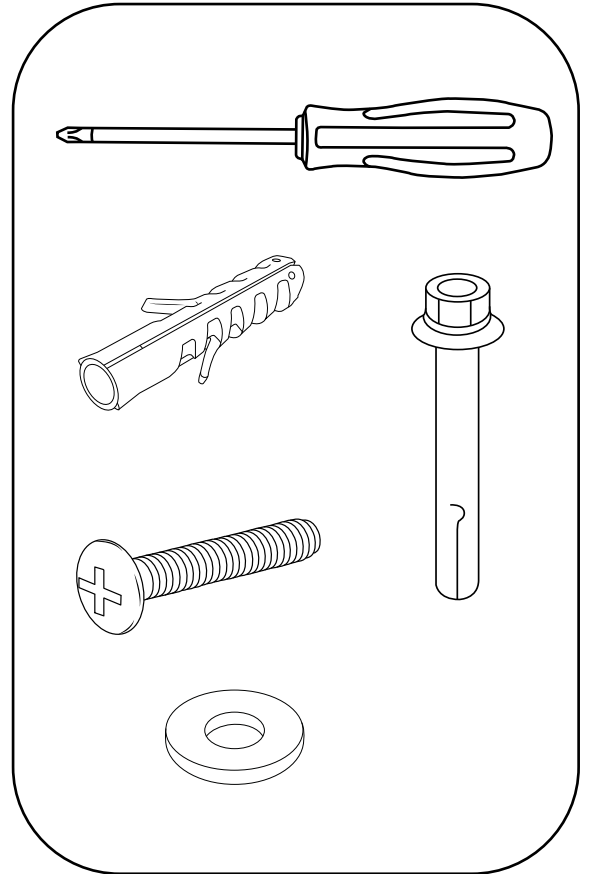
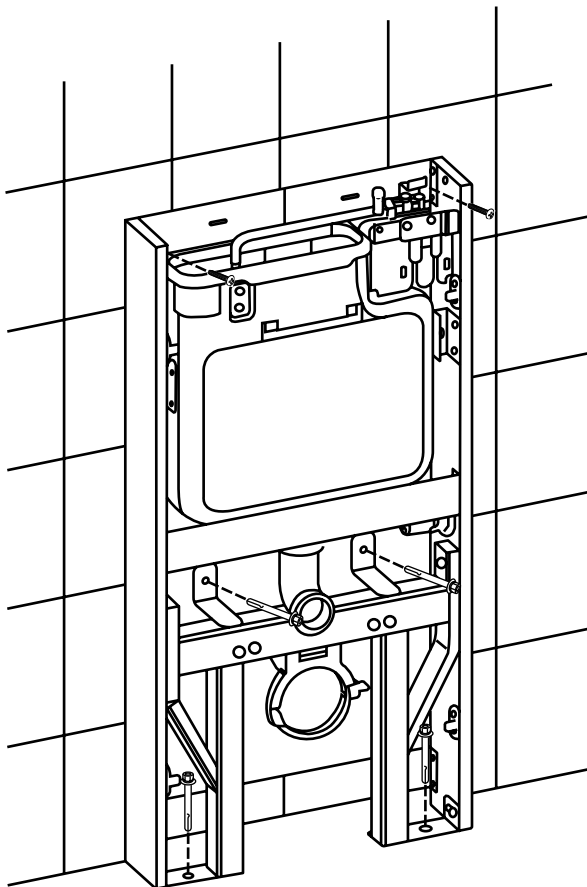
6



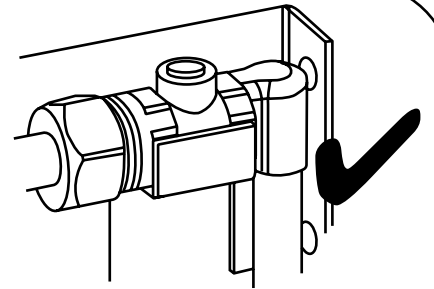
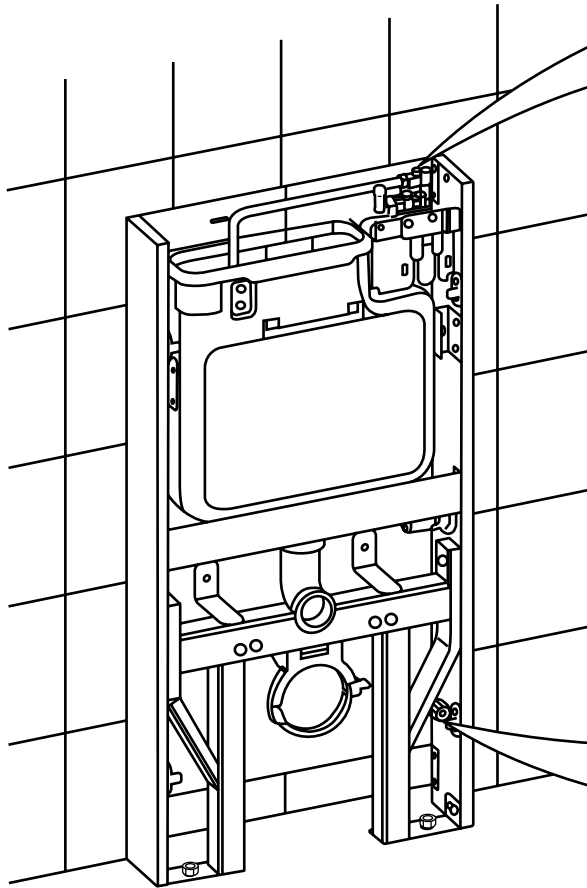
7



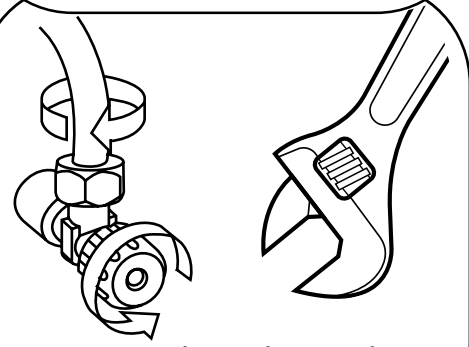
8



9

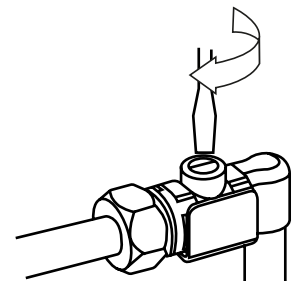
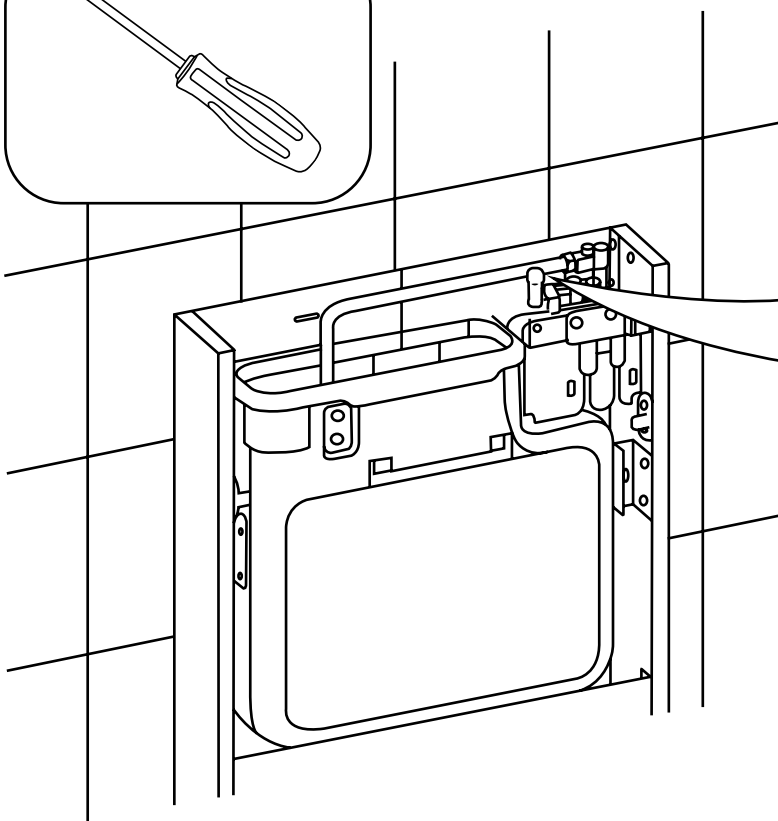
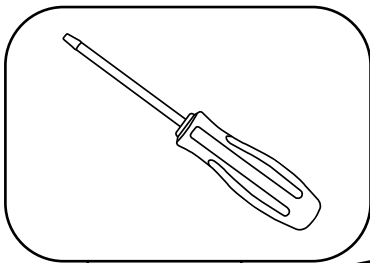


Reconnect the braided tube to the hanger.

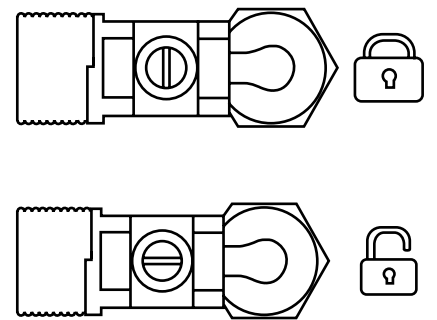


Connect the tube to the angle valve on the wall.

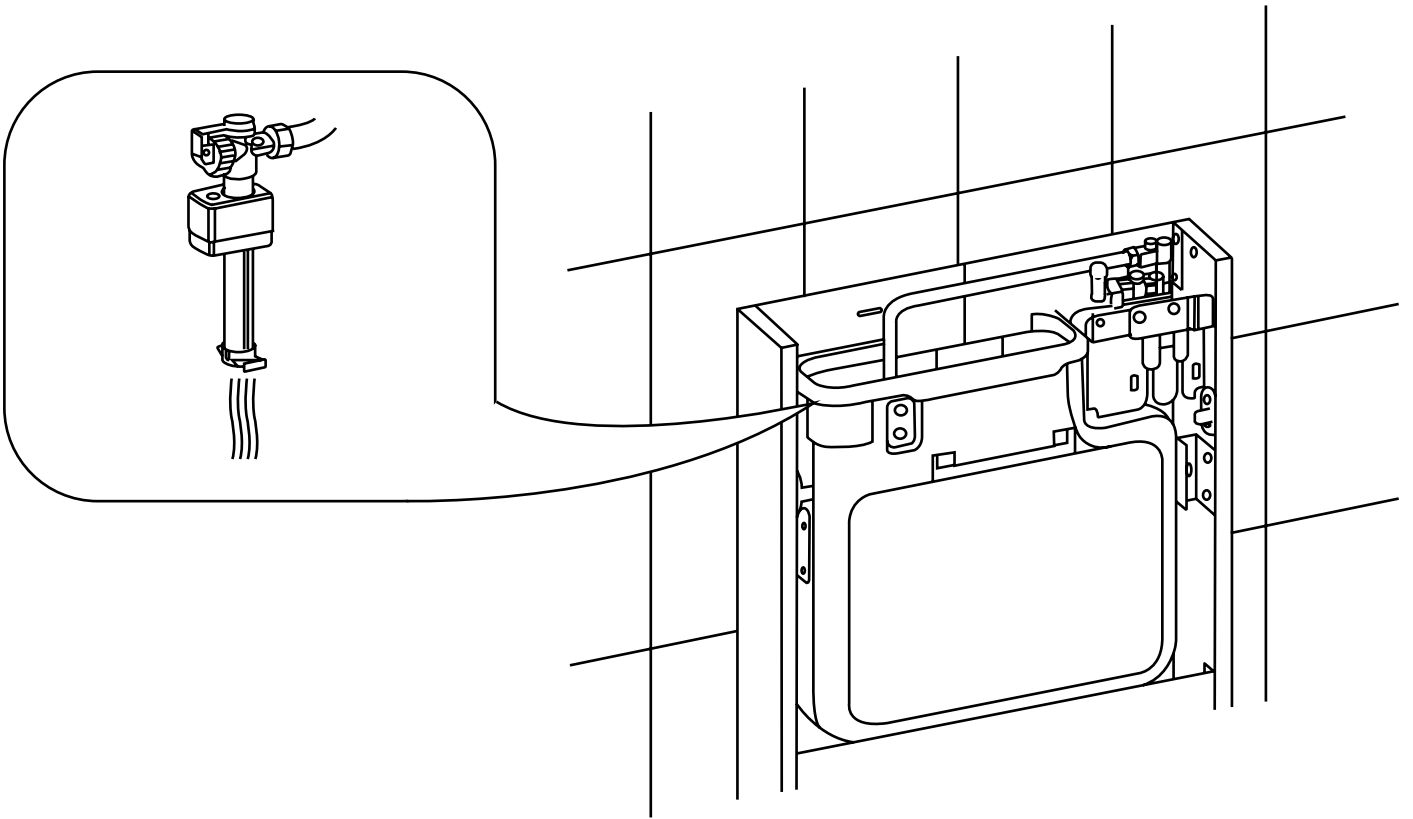
10



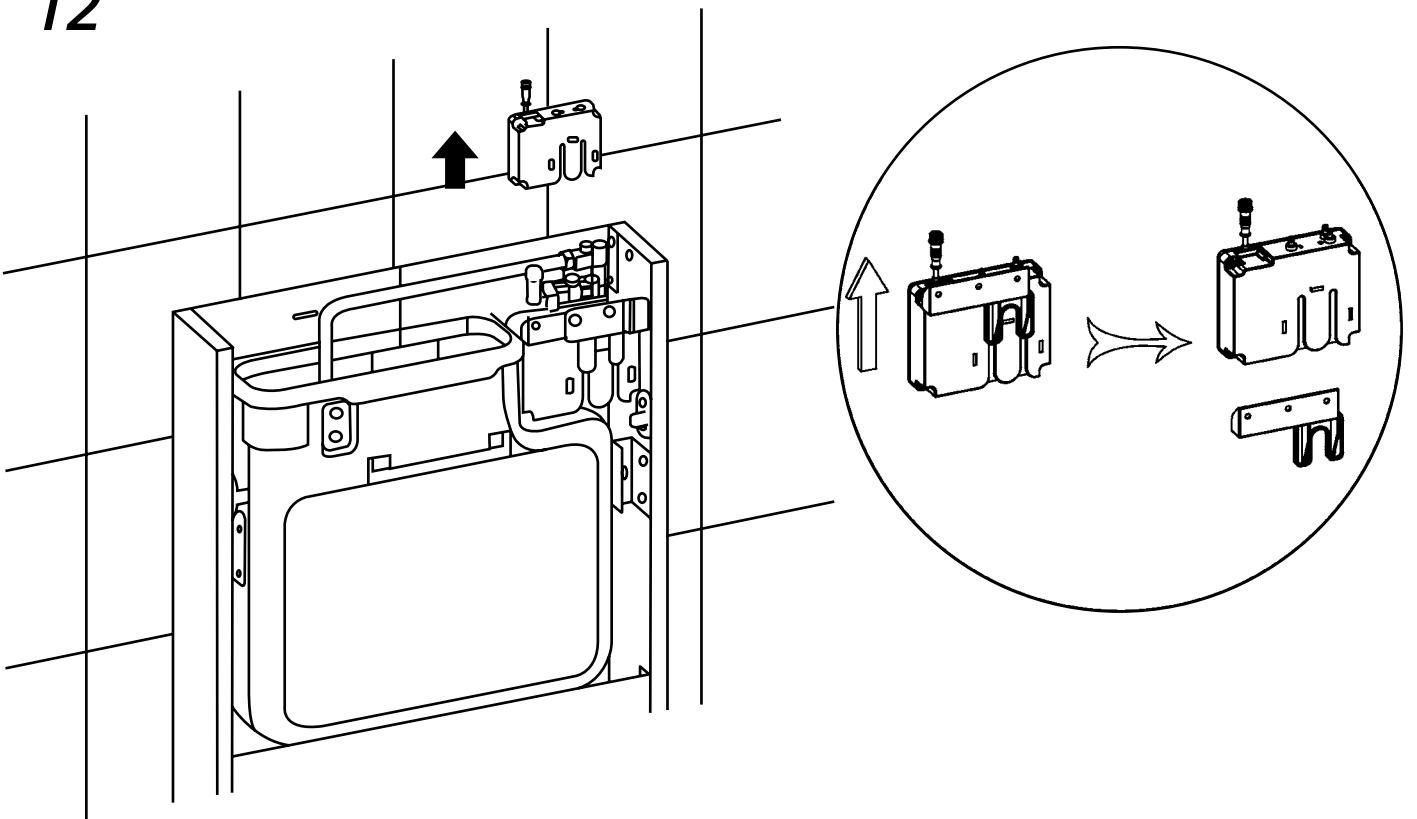
Check the stop valve.



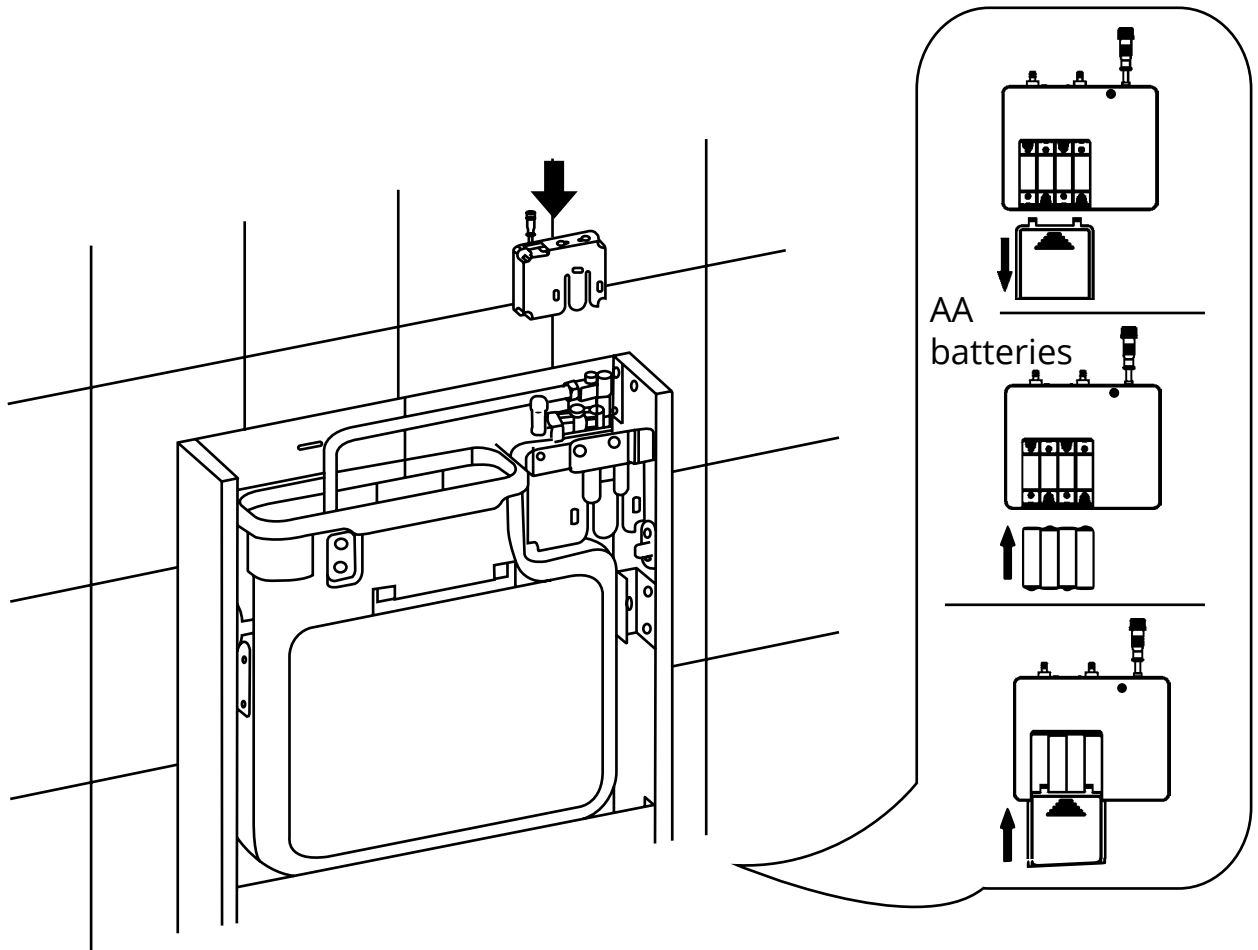
11



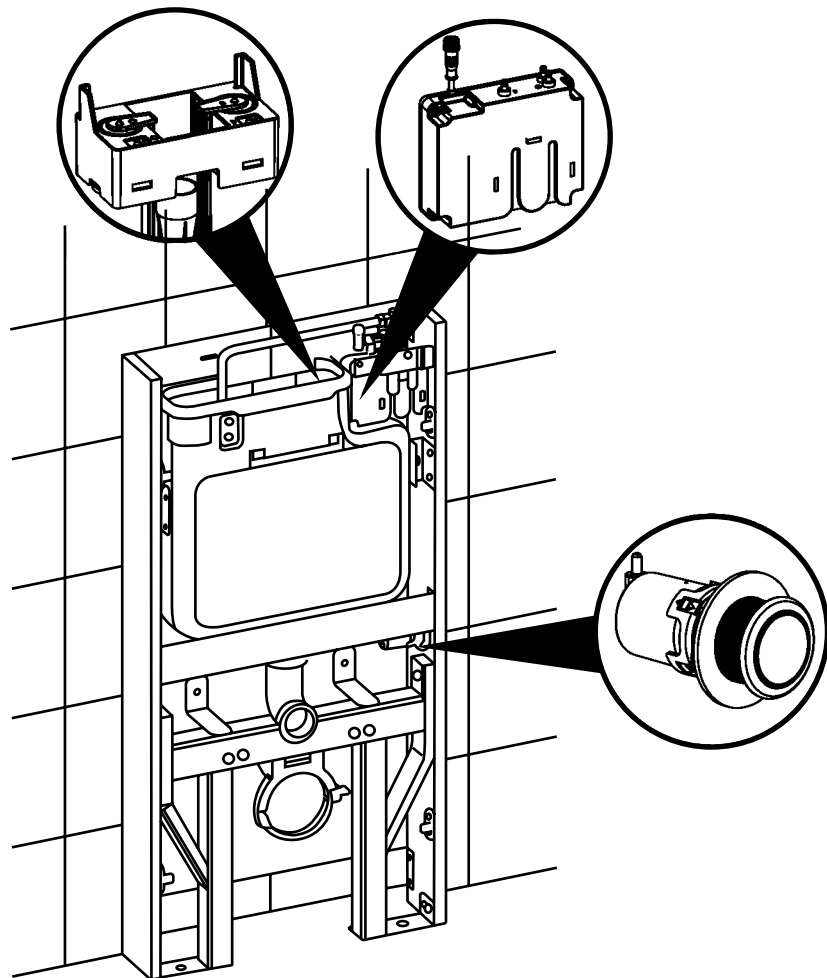
12



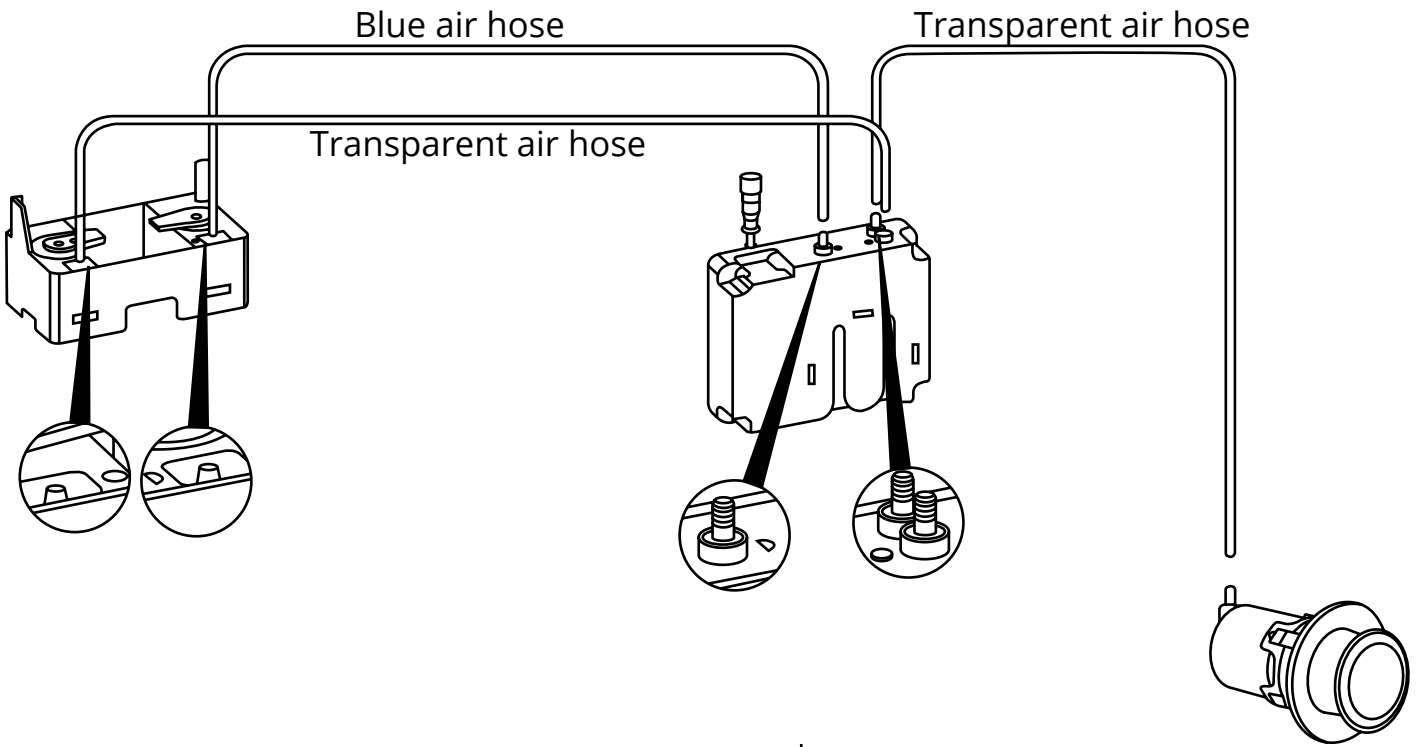
13



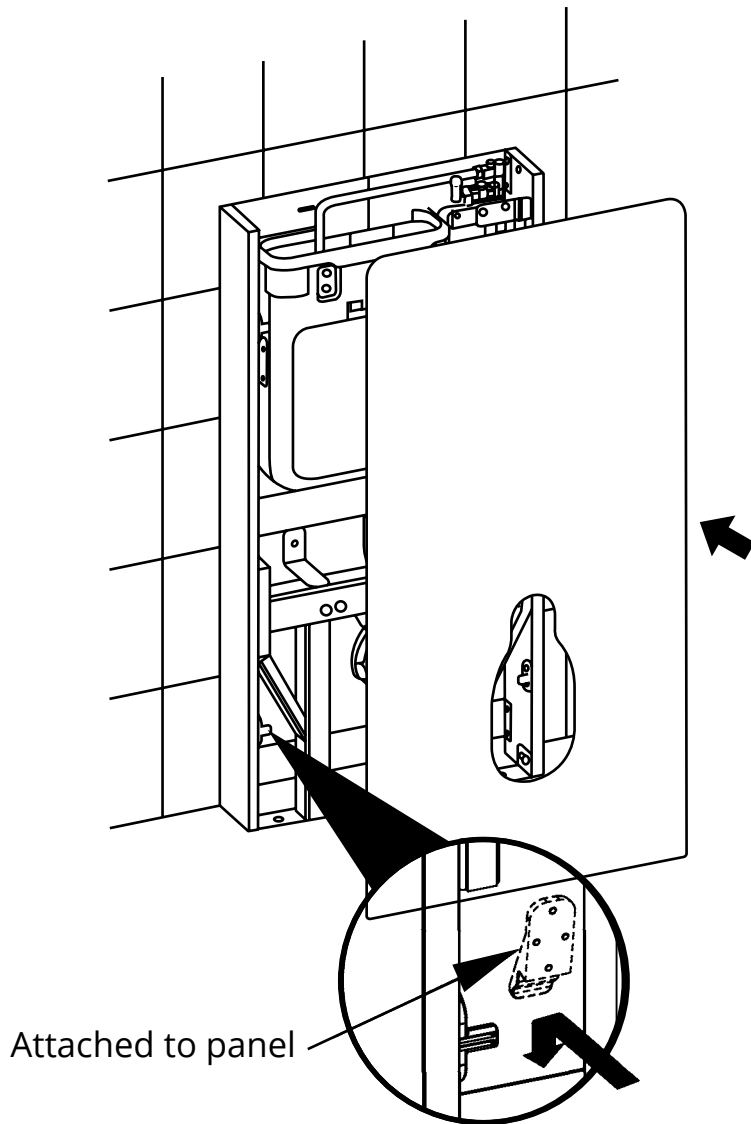
14



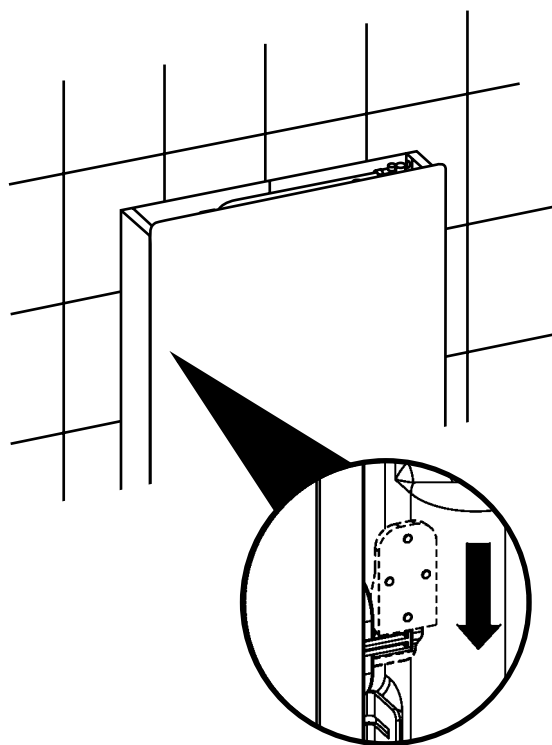
15



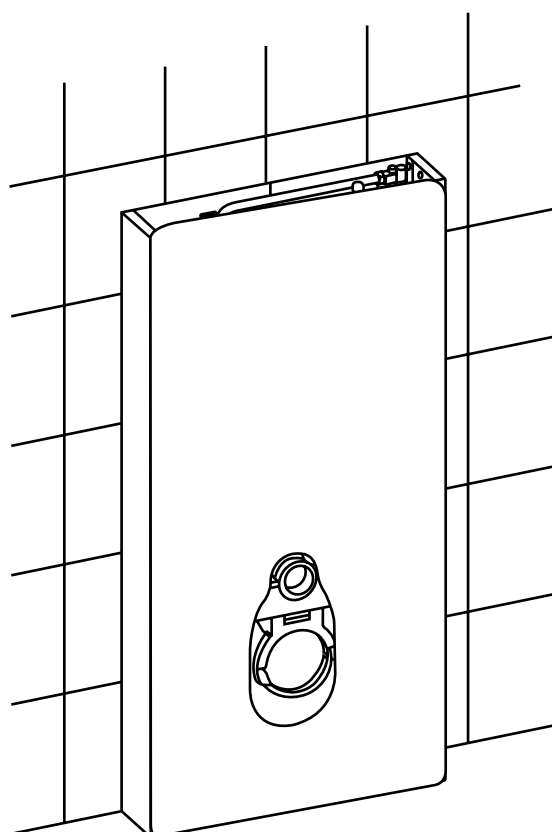
16



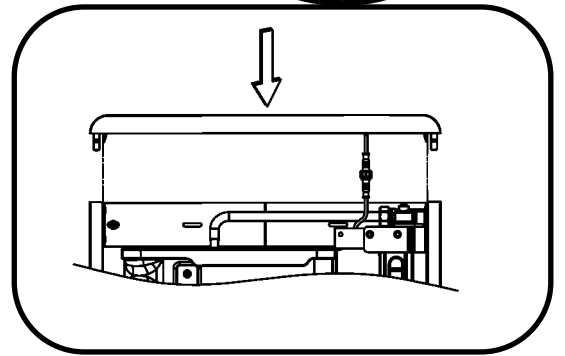
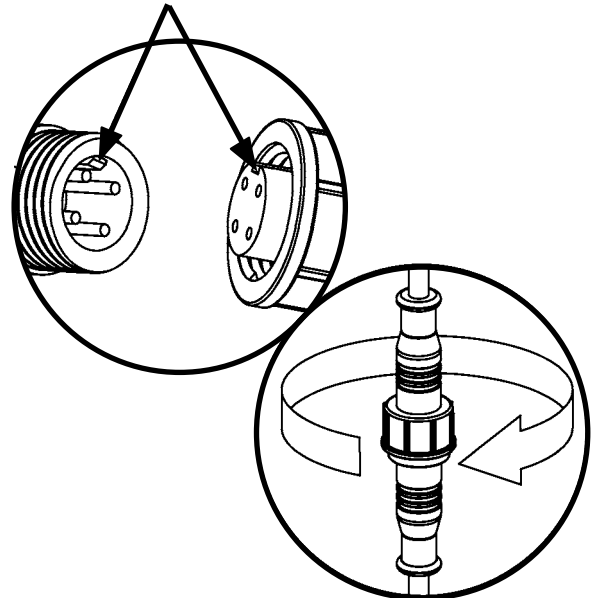
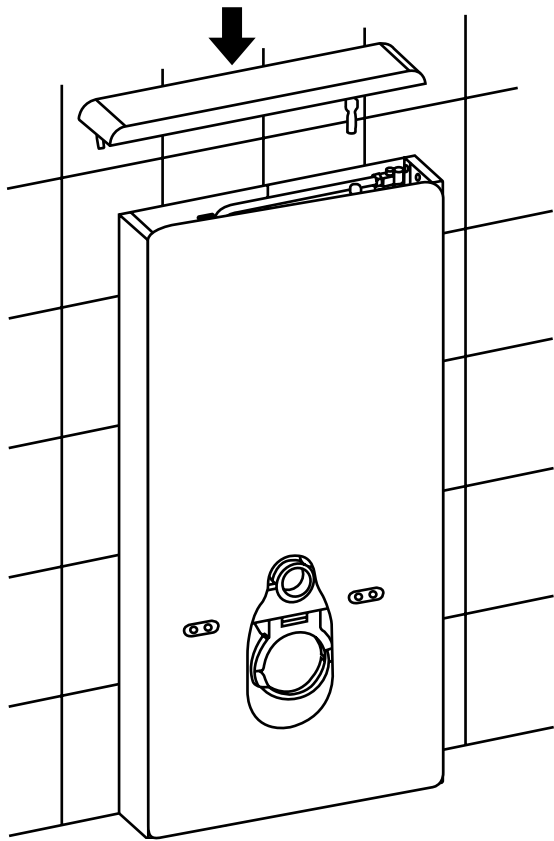
17



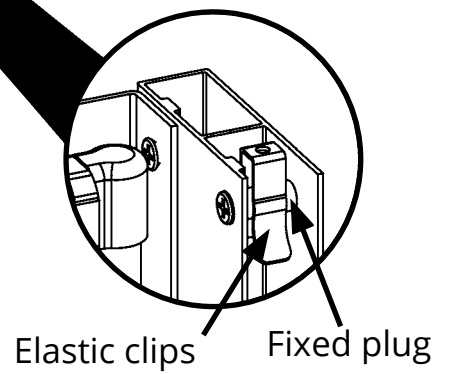
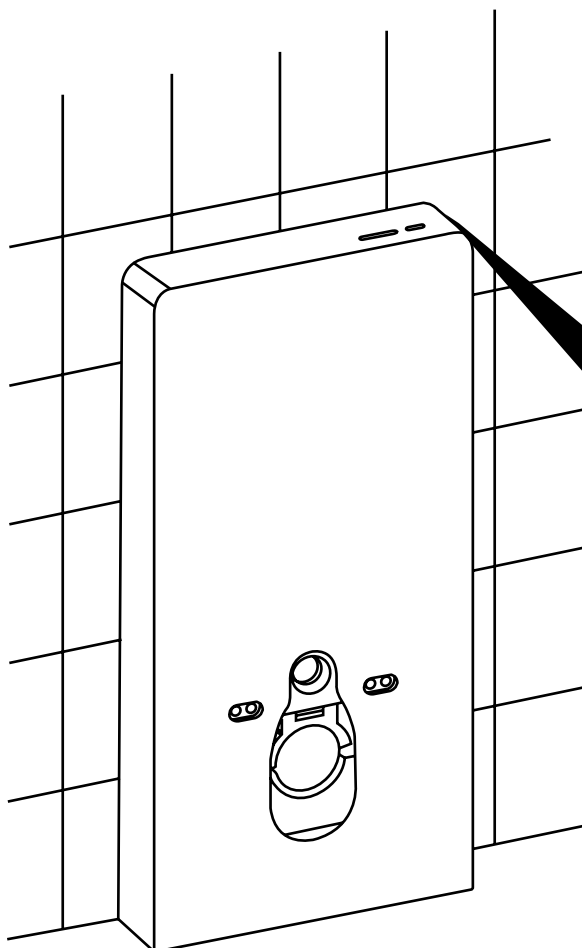
18



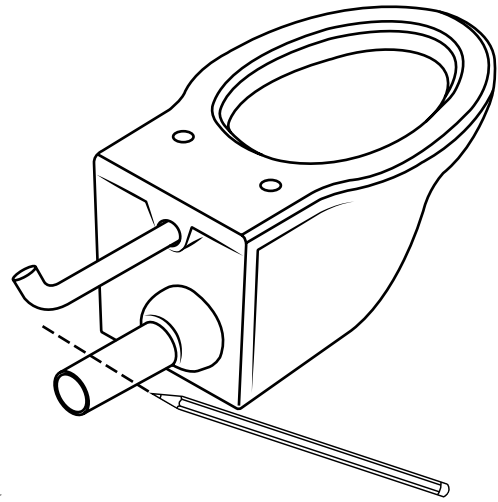
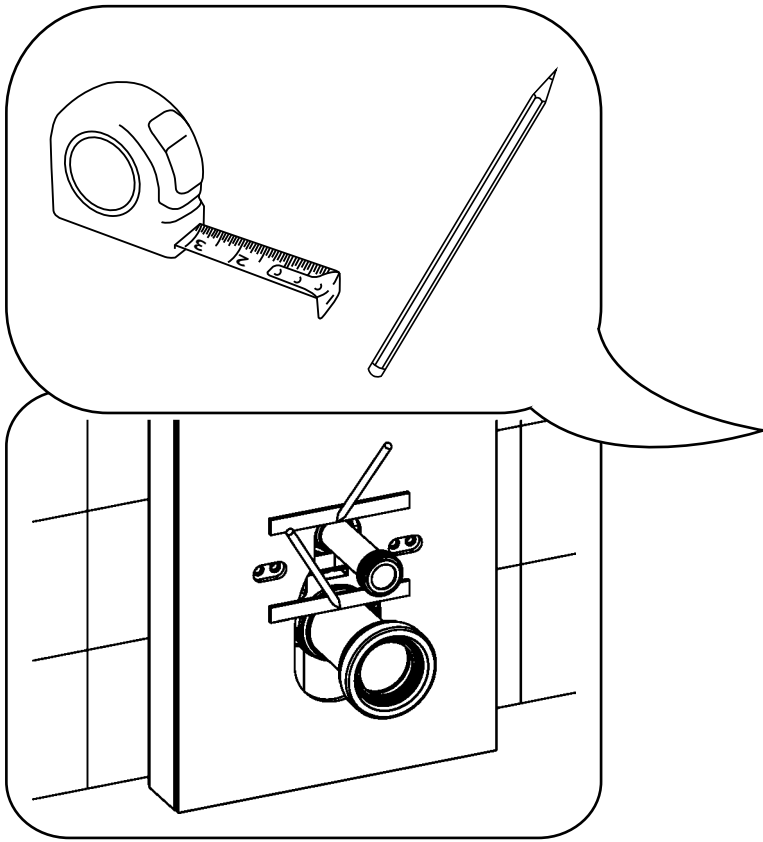
19



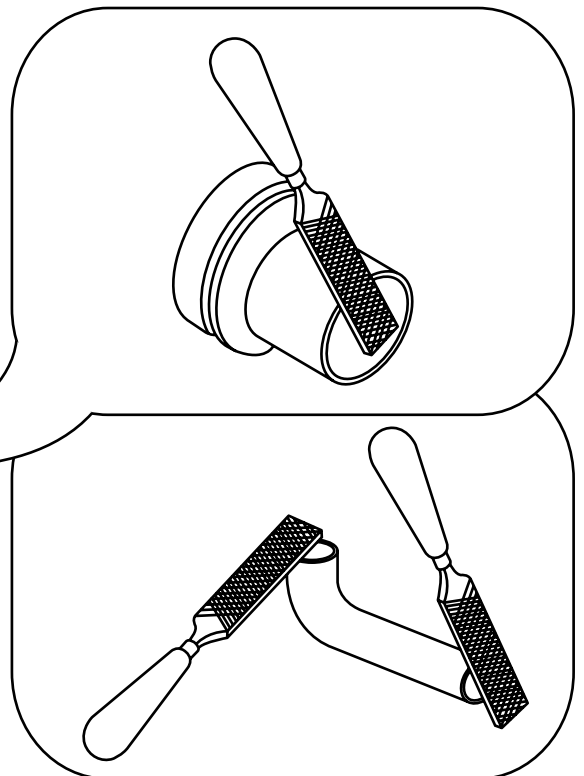
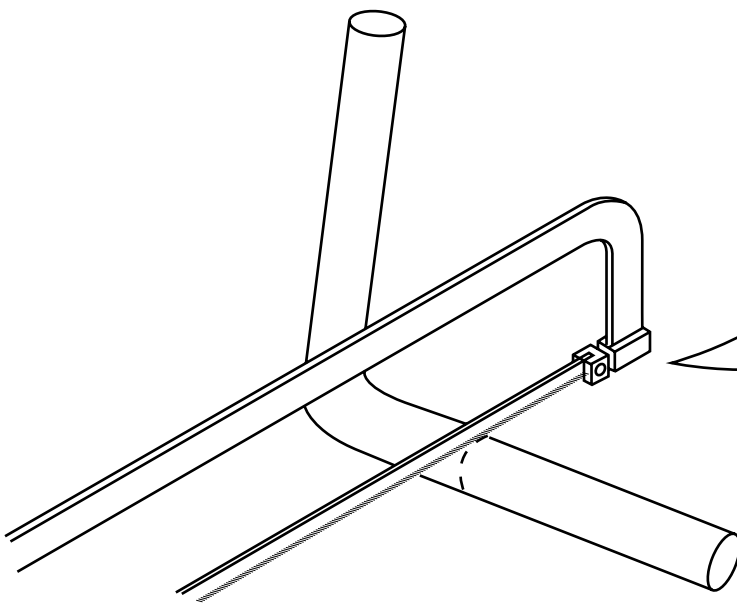
20



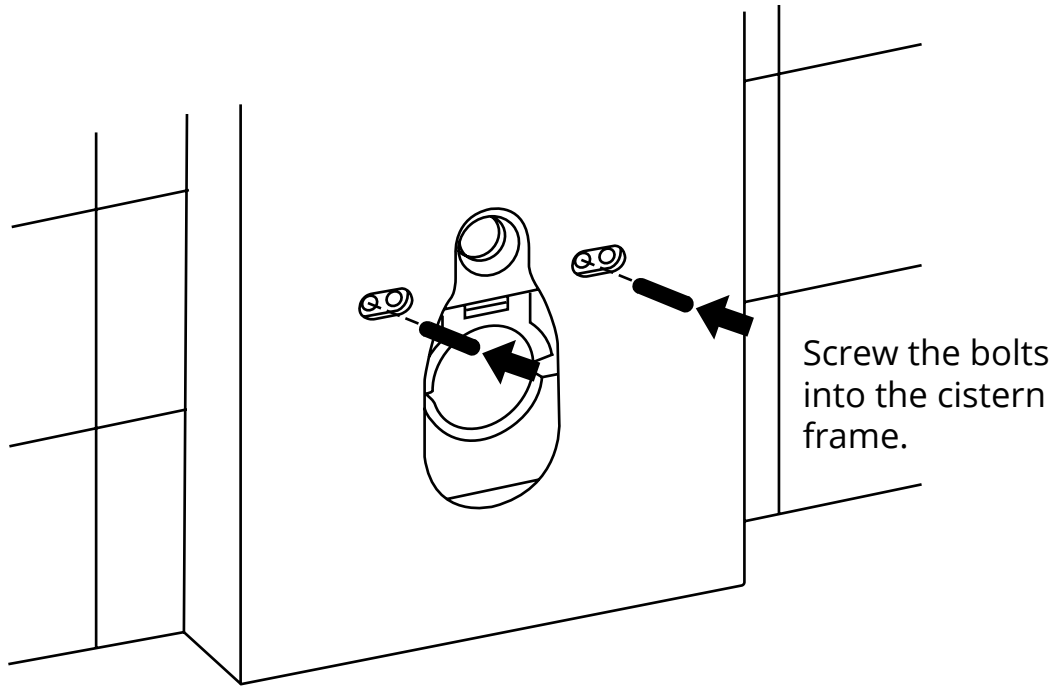
21



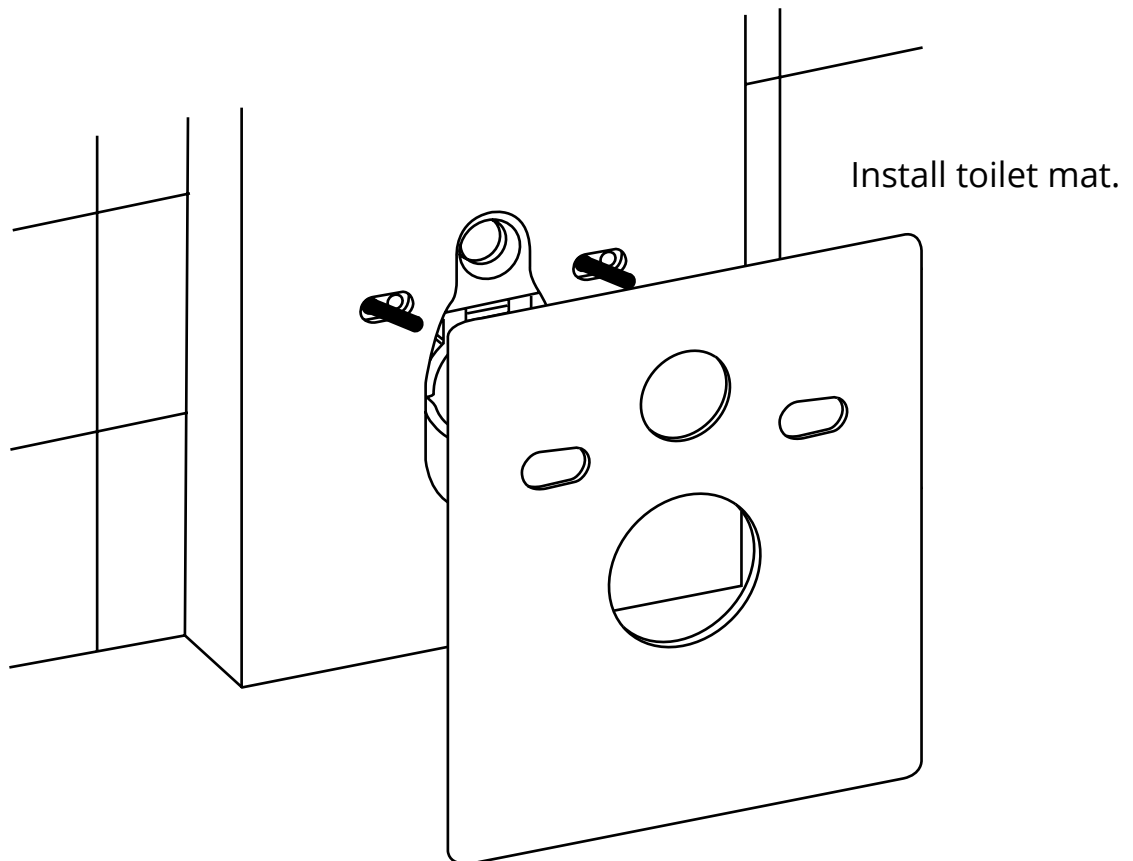
22



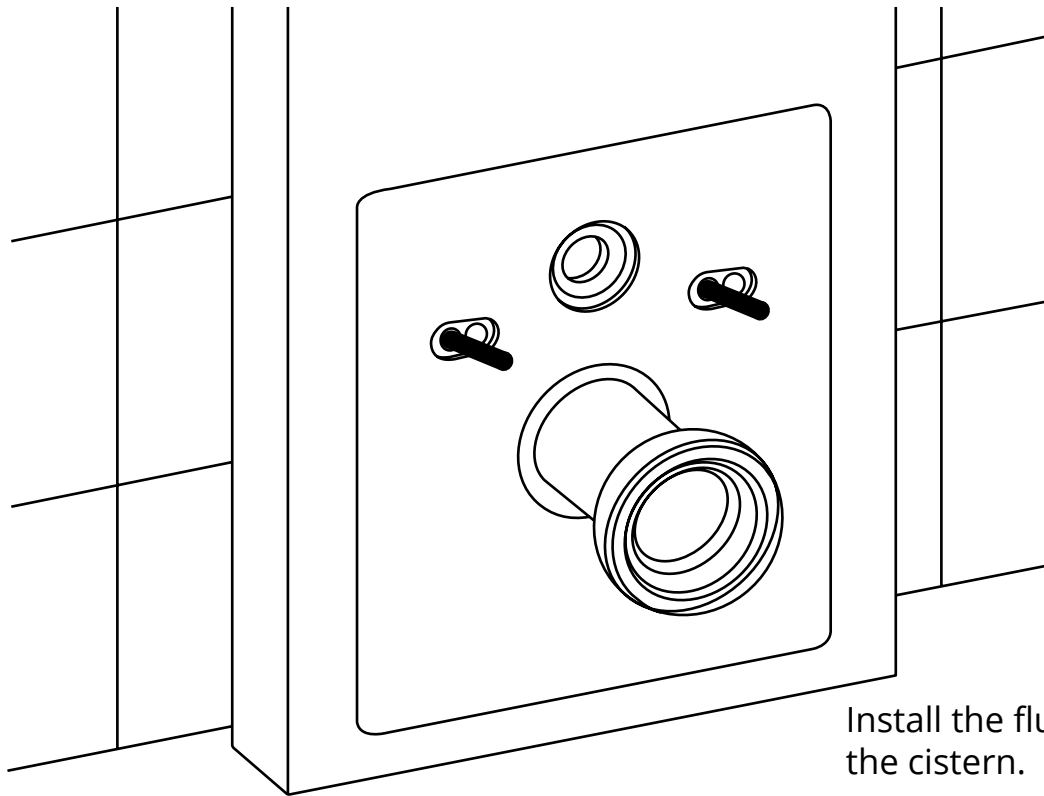
23



24

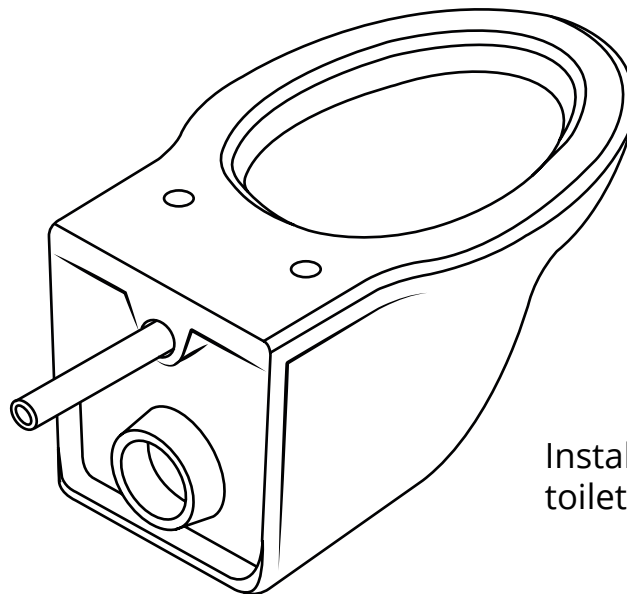


25



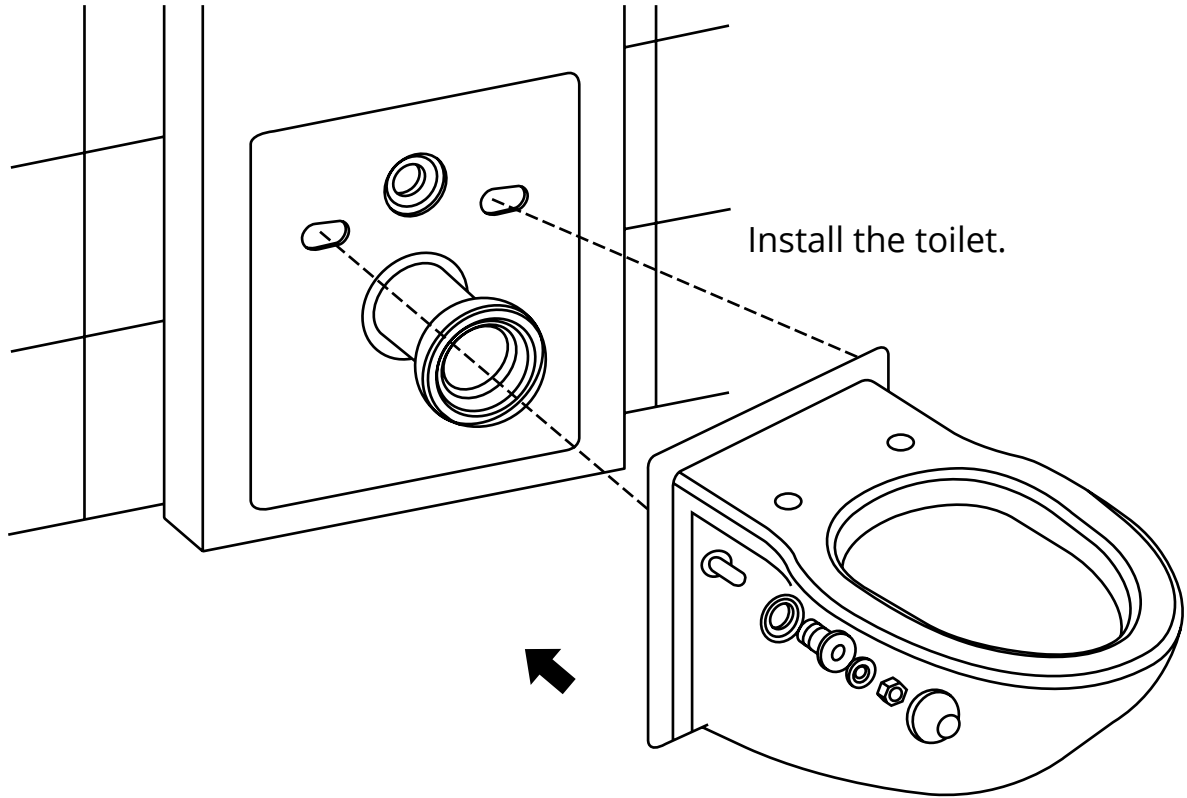
Install the flush pipe onto the cistern.

26



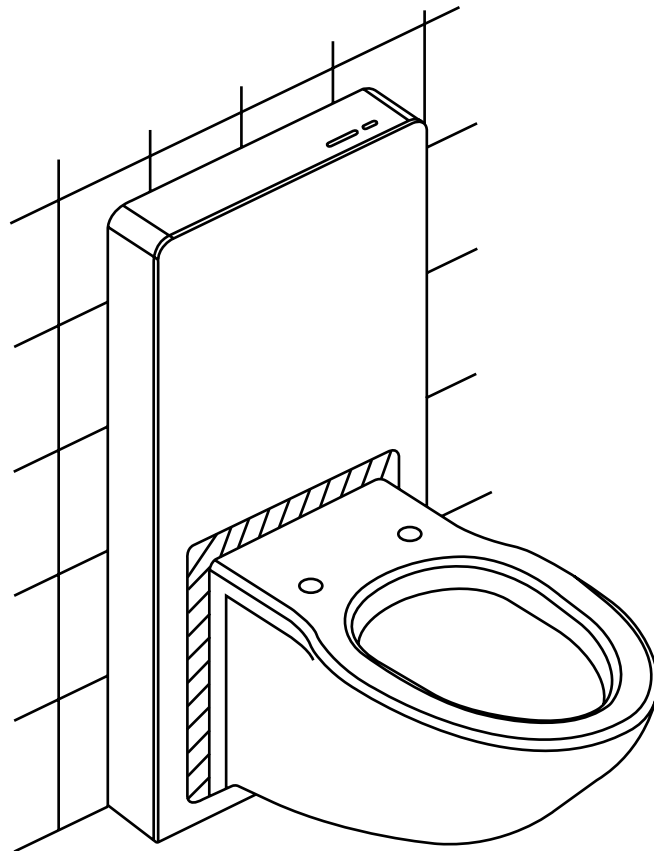
Install the flush pipe onto the toilet.

27



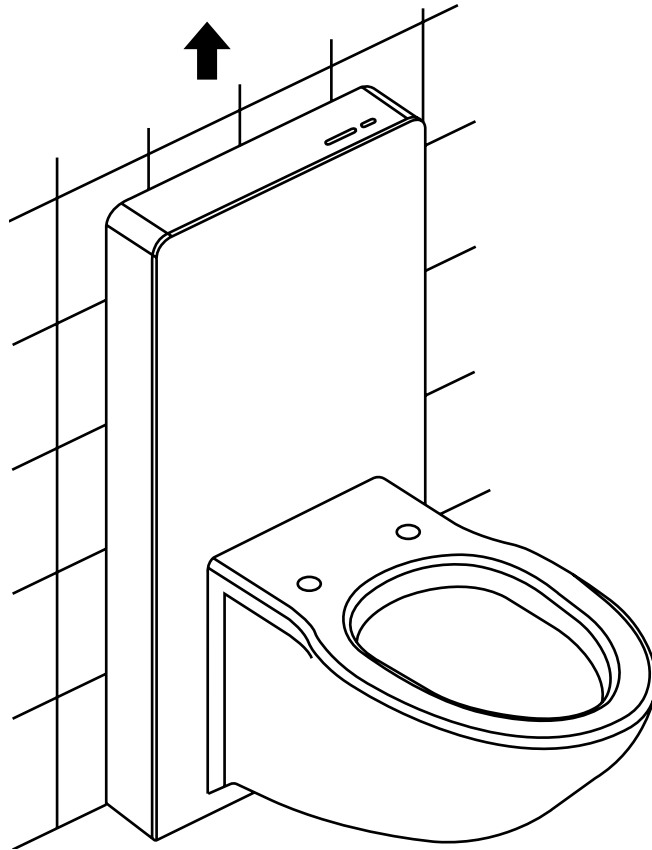
28

Cut off the extra part  
off the toilet mat.

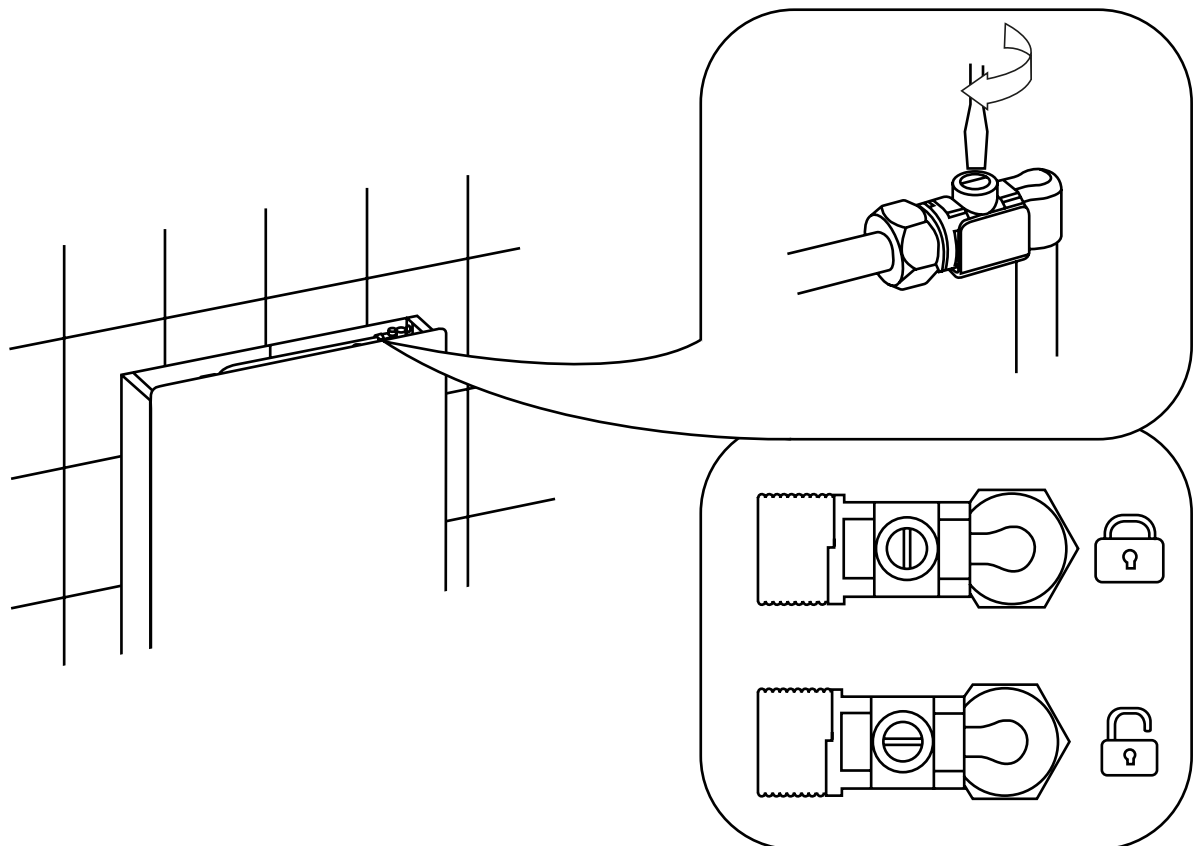


*Inlet valve removal:*

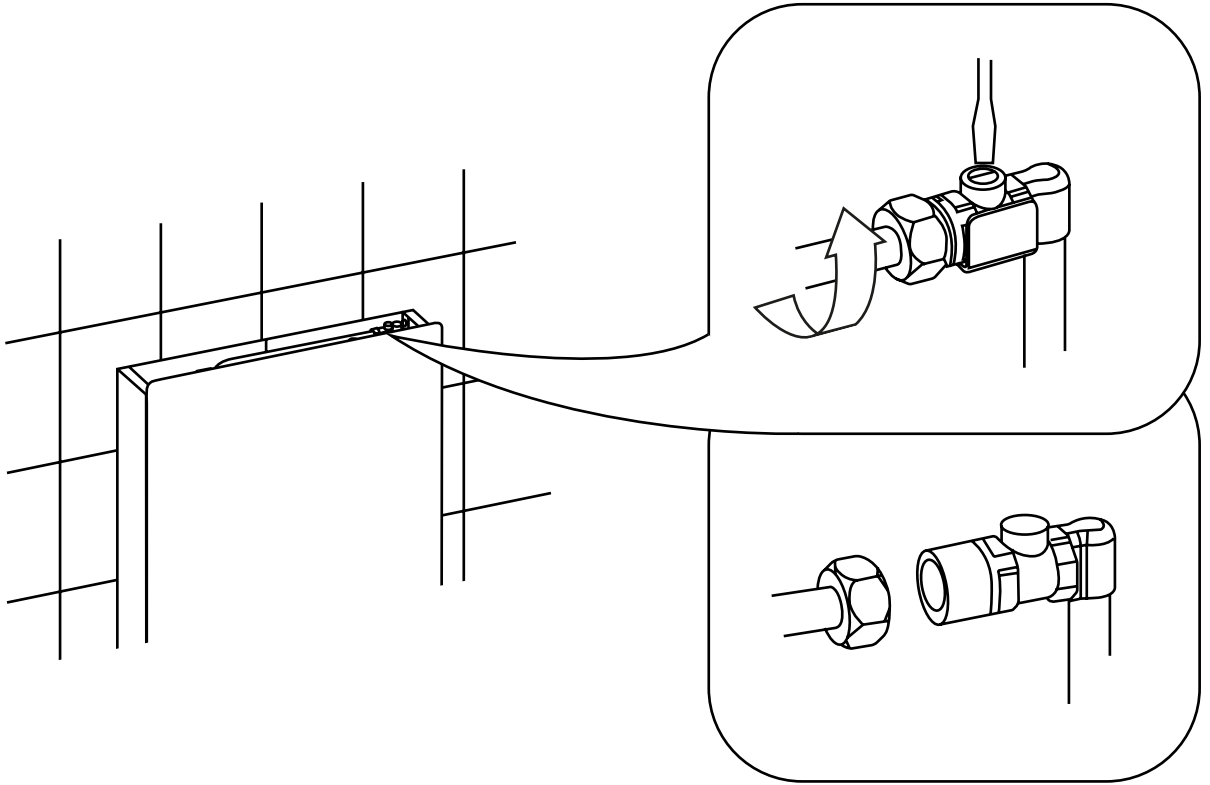
**1**



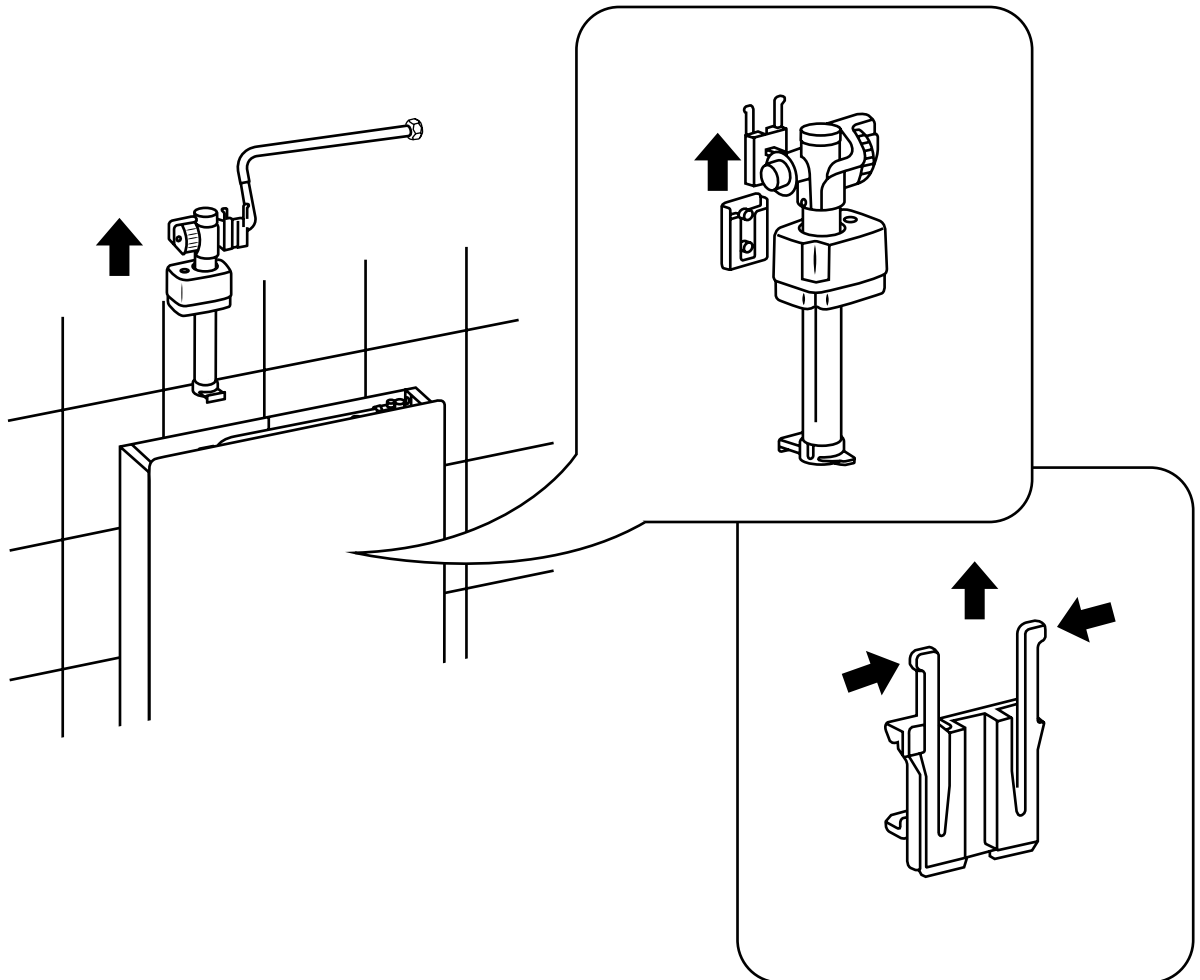
**2**



3

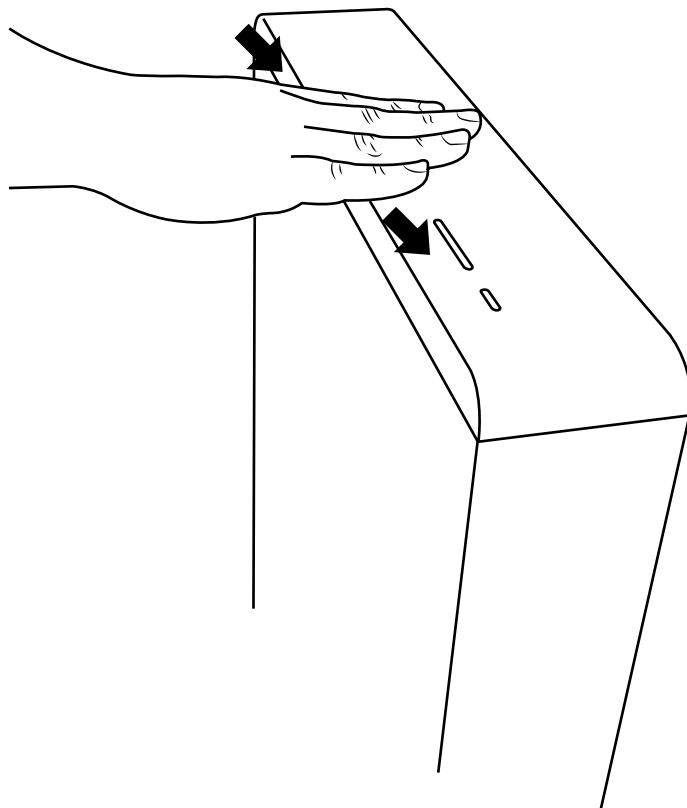


4



**i** Flush sensor:

*Full flush*



*Half flush*

