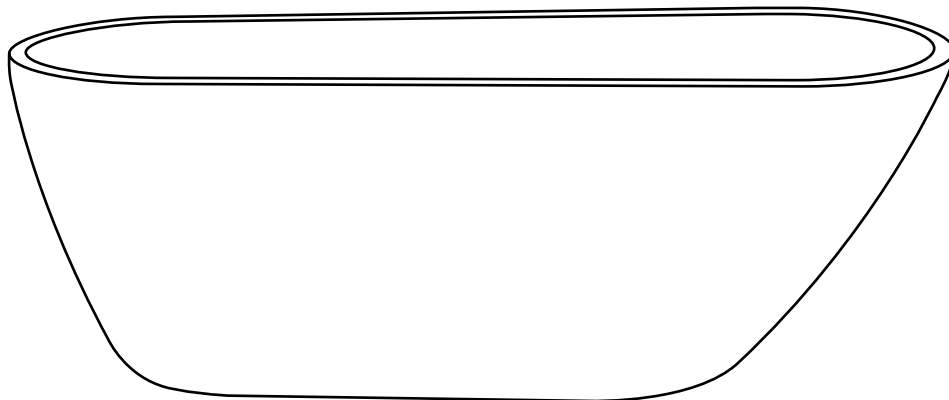



# Freestanding Bath



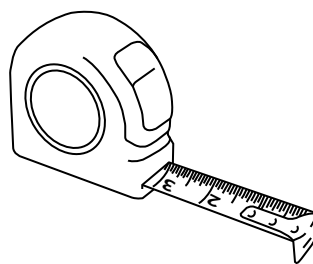
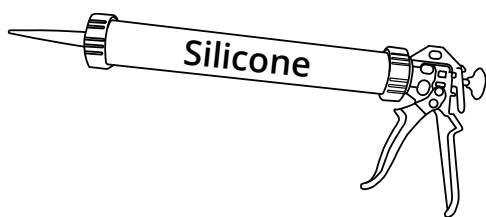
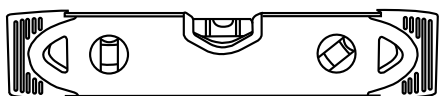
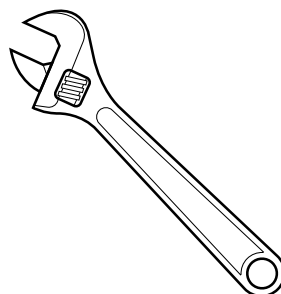
 Style may vary

Installation Guide

# Installation

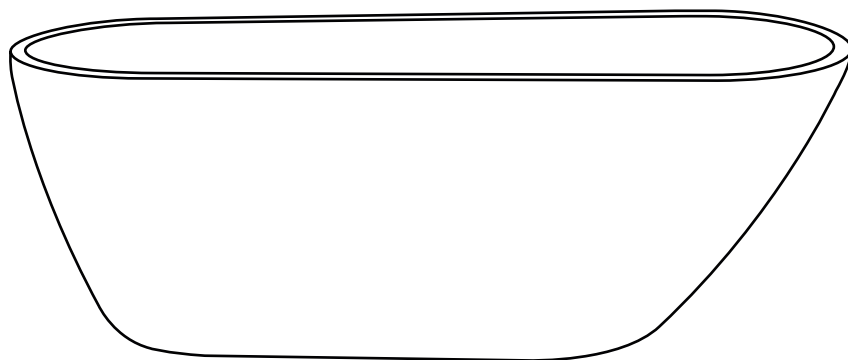
---

## *Tools required for installing:*

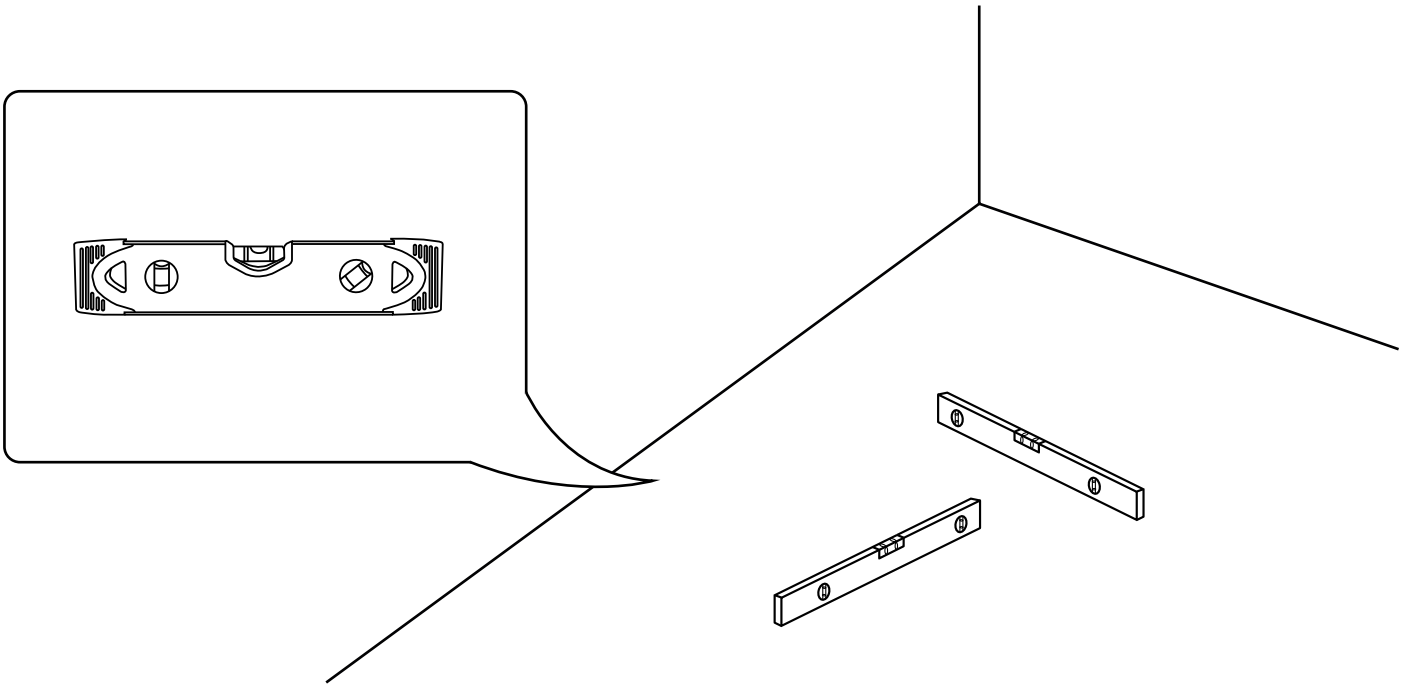


---

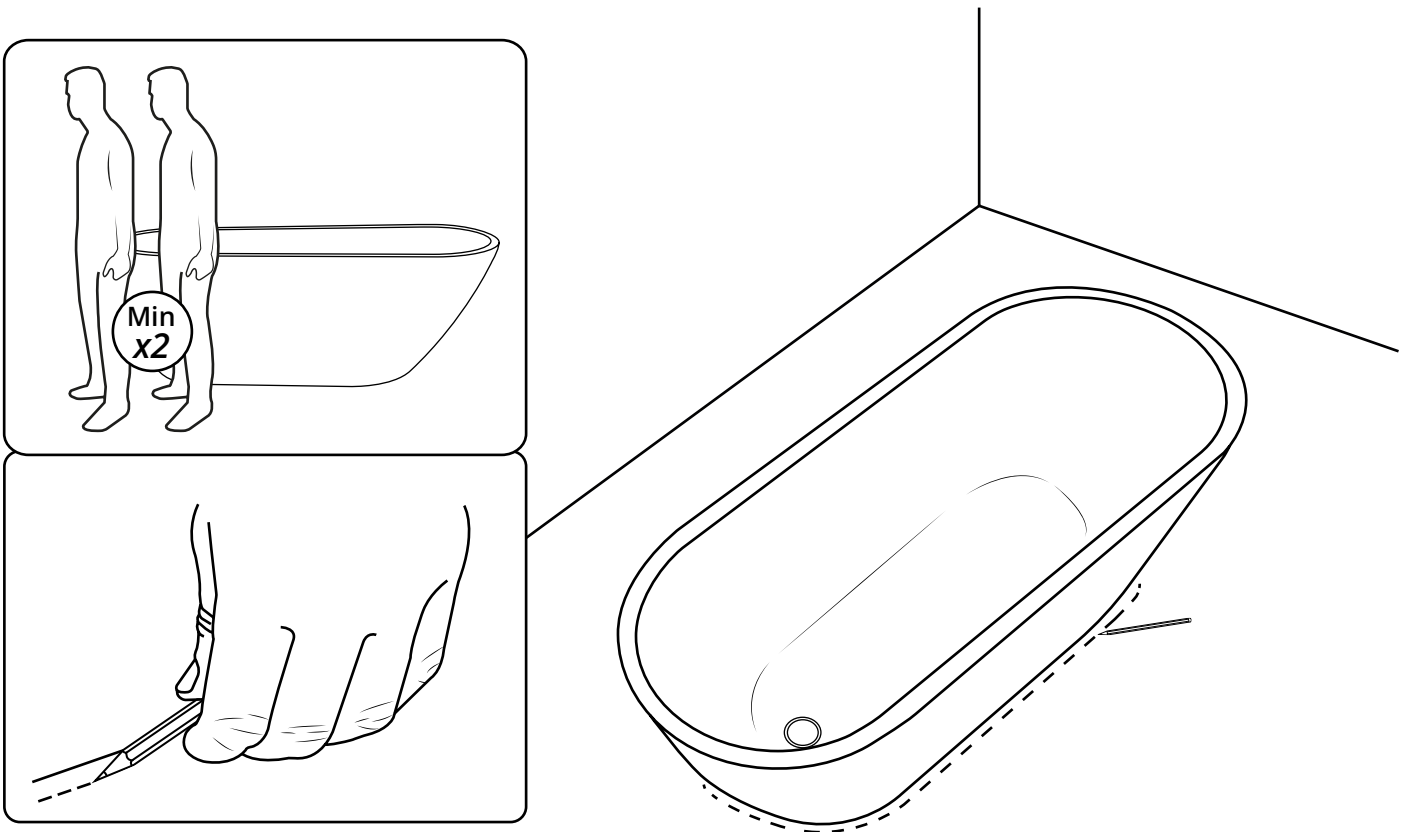
## *Parts included:*



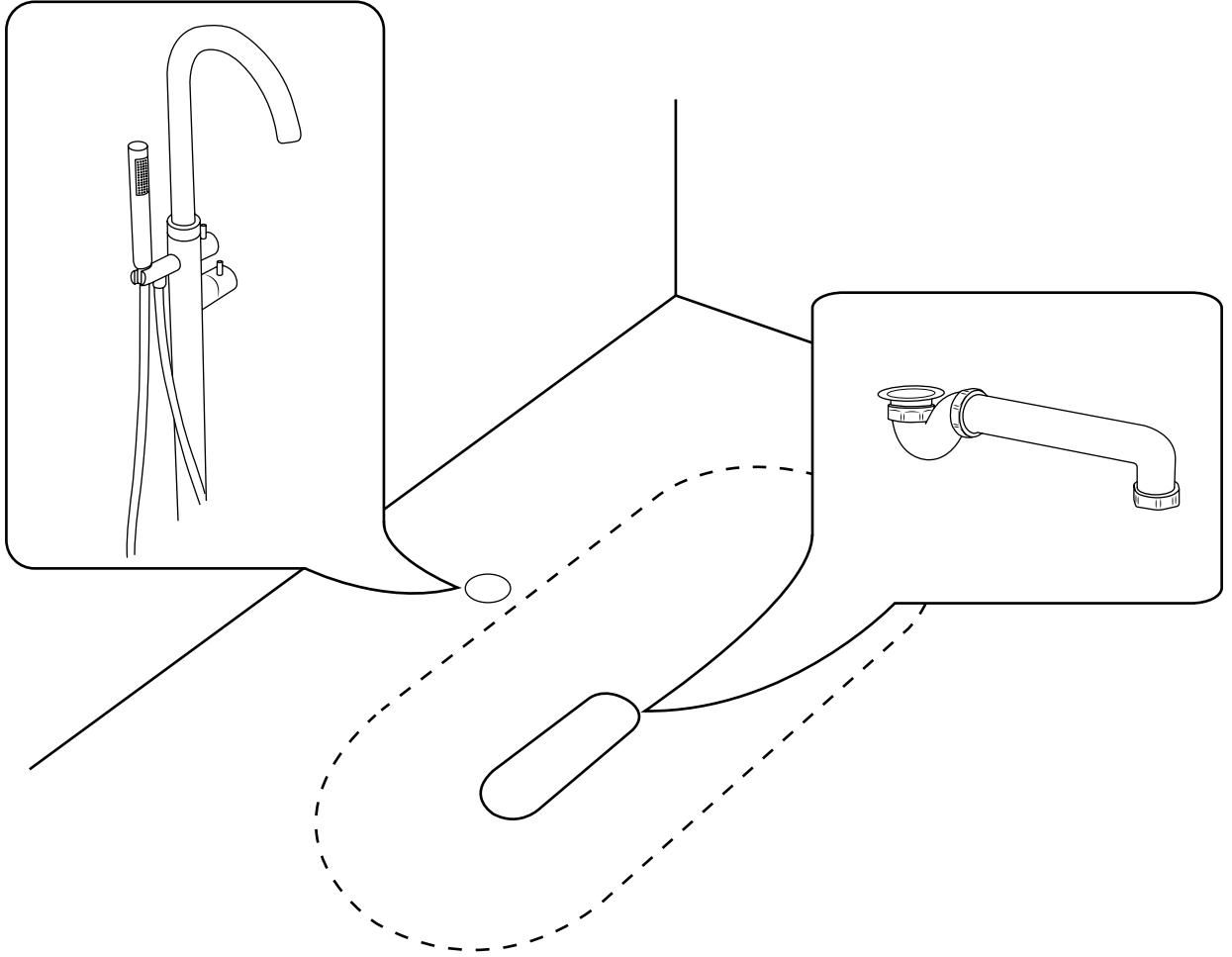
1



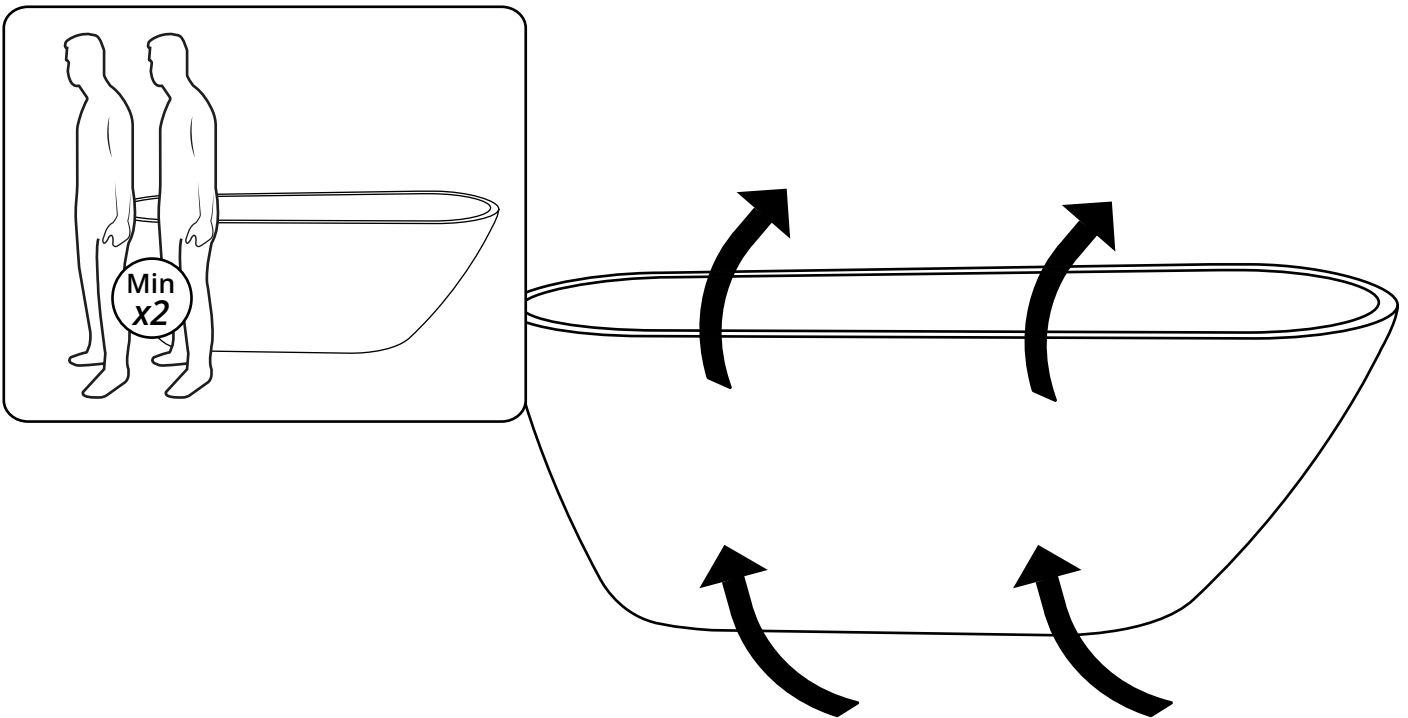
2



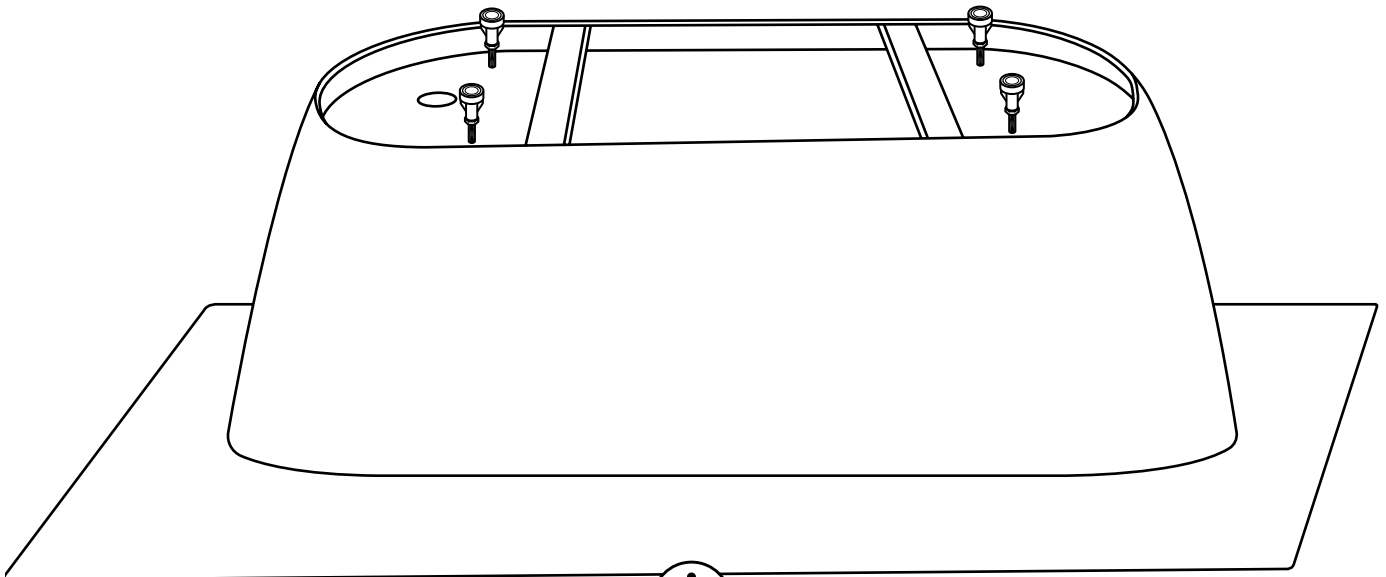
3



4

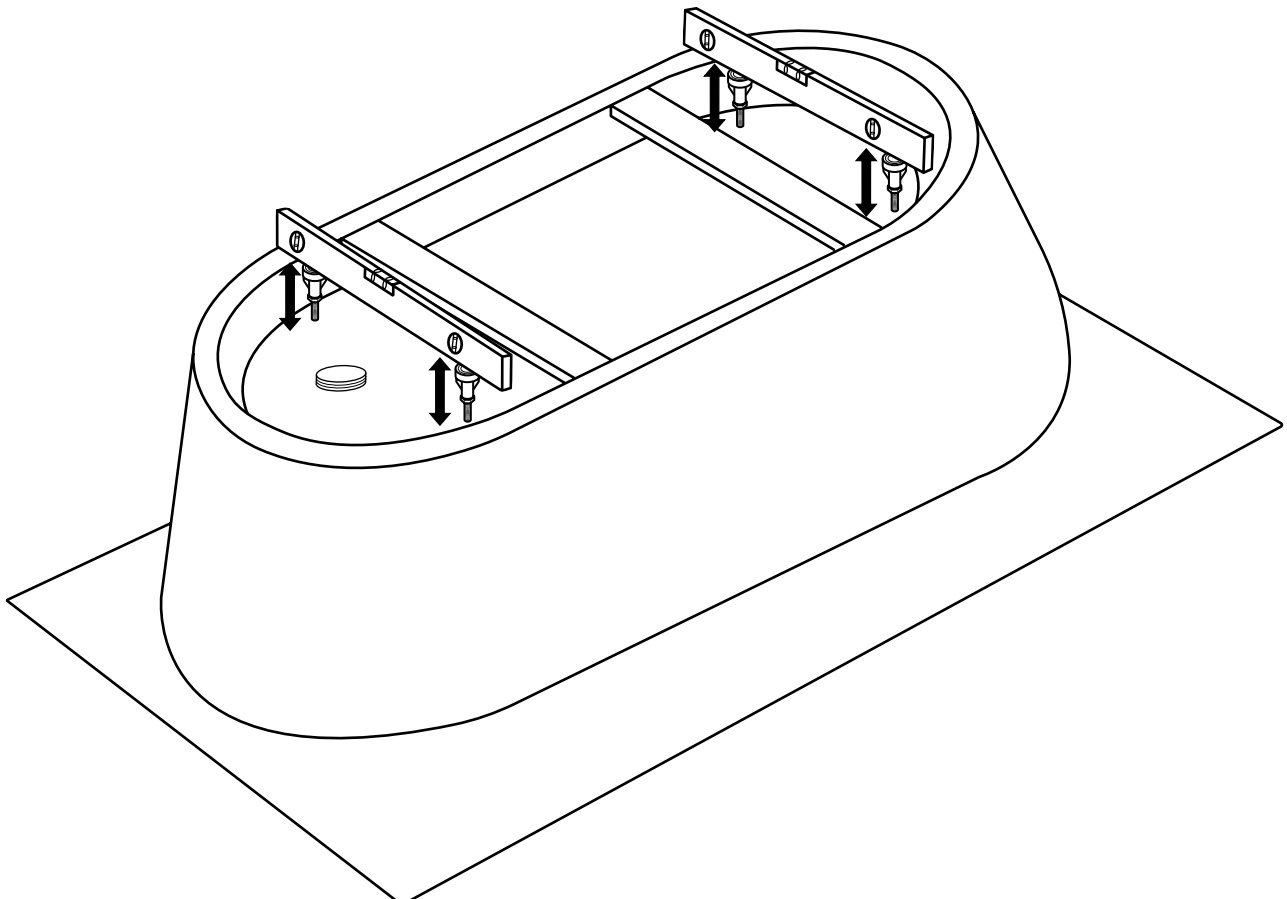


5

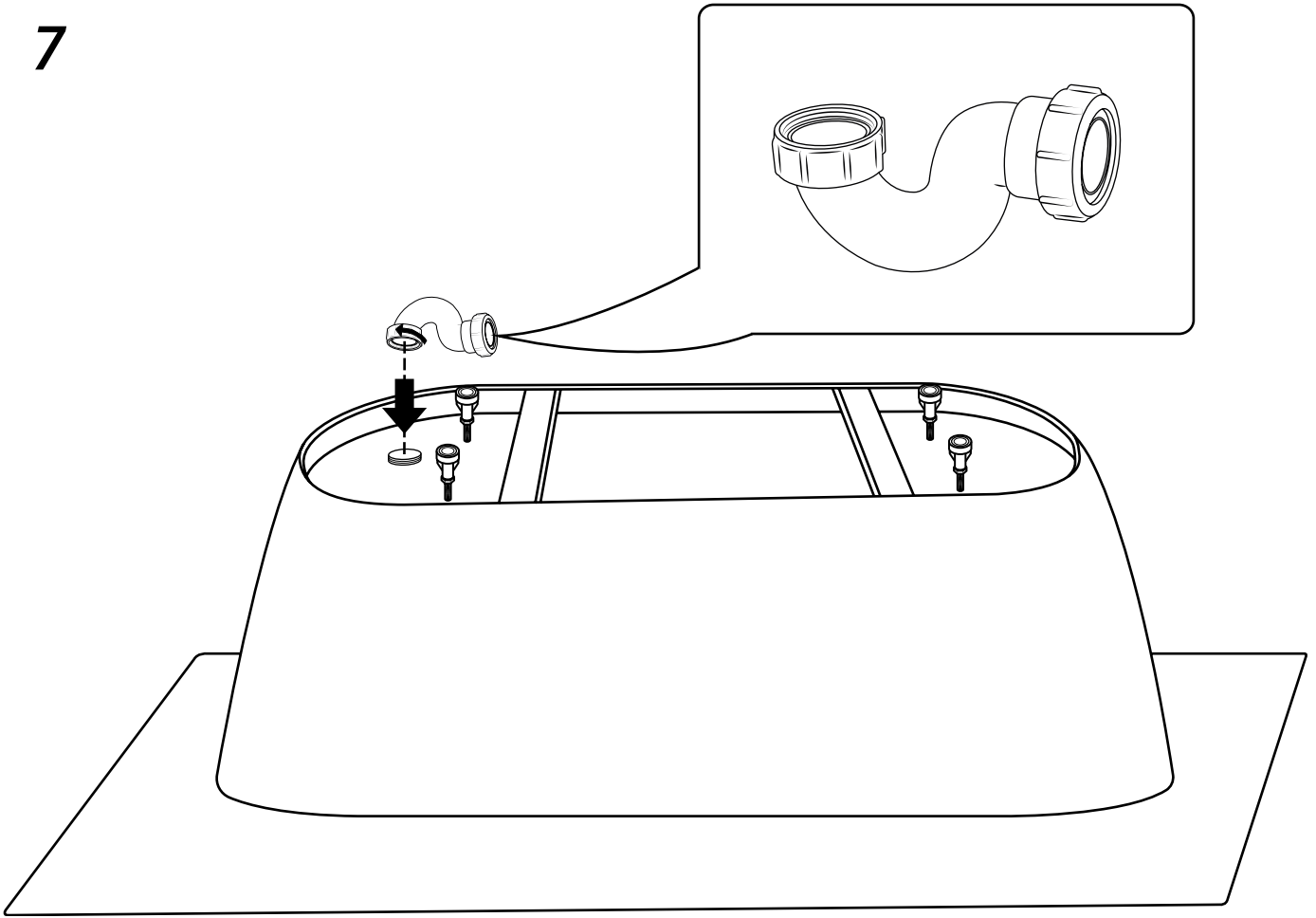


**i** Place on a soft surface

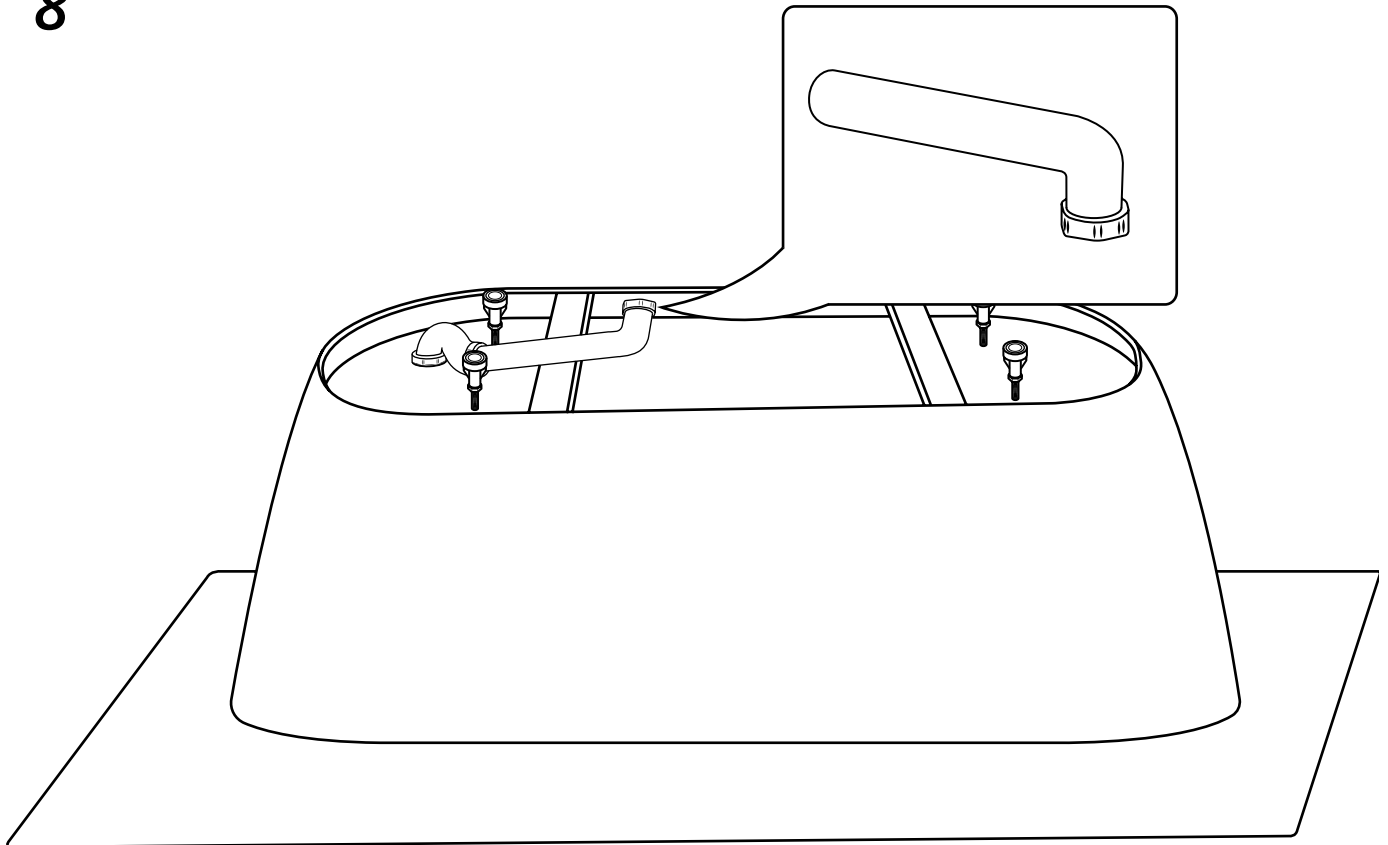
6



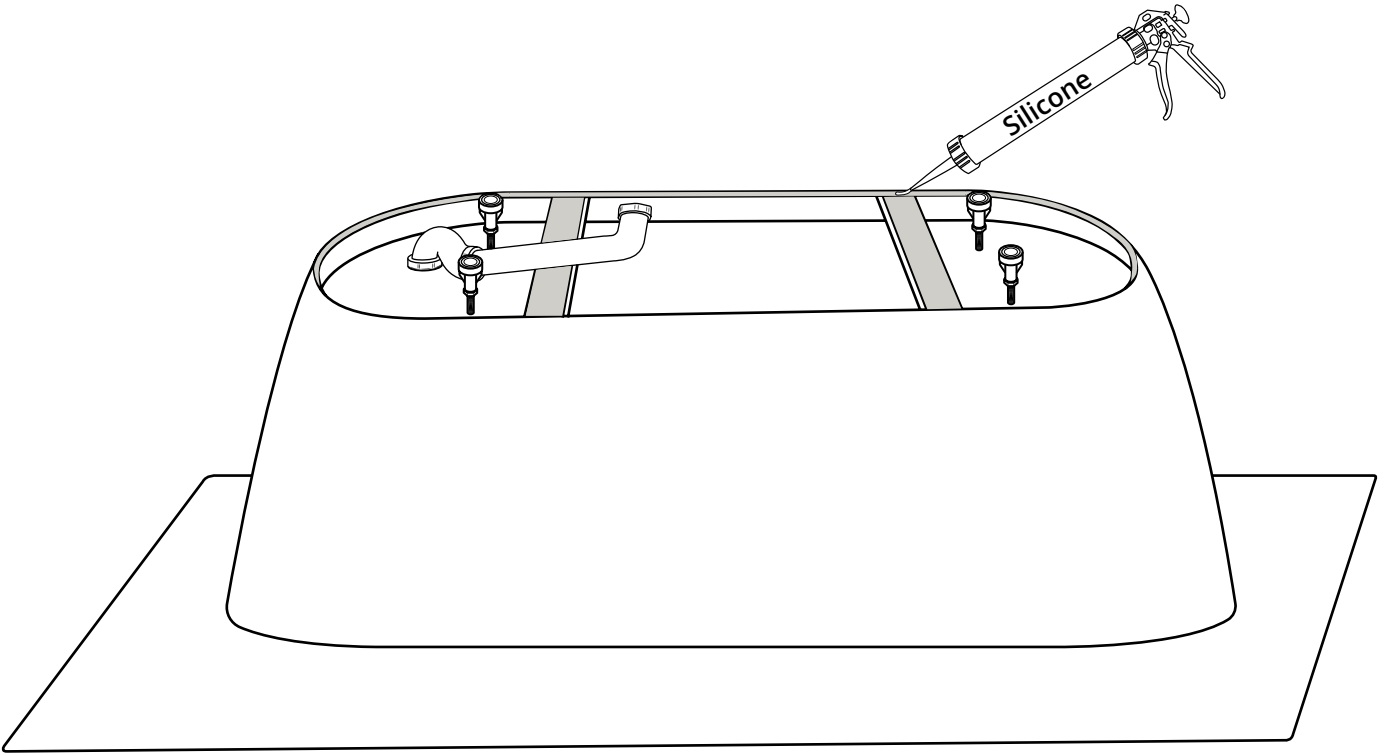
7



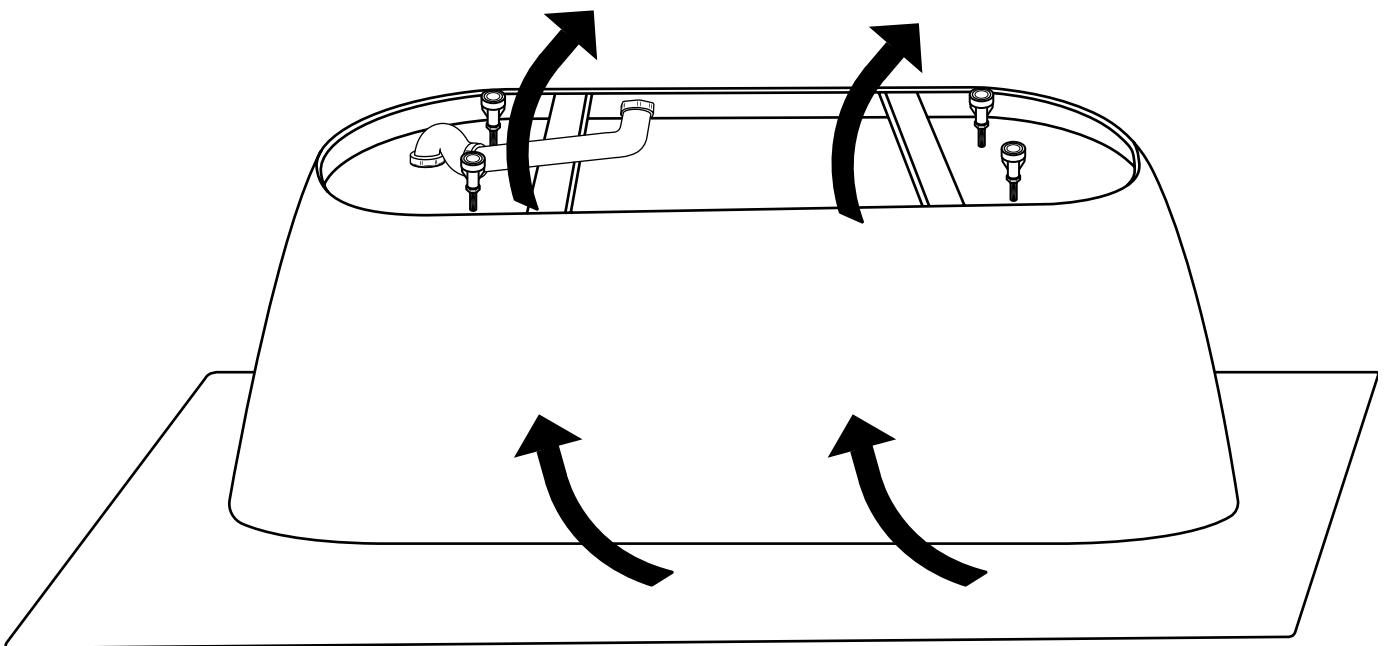
8



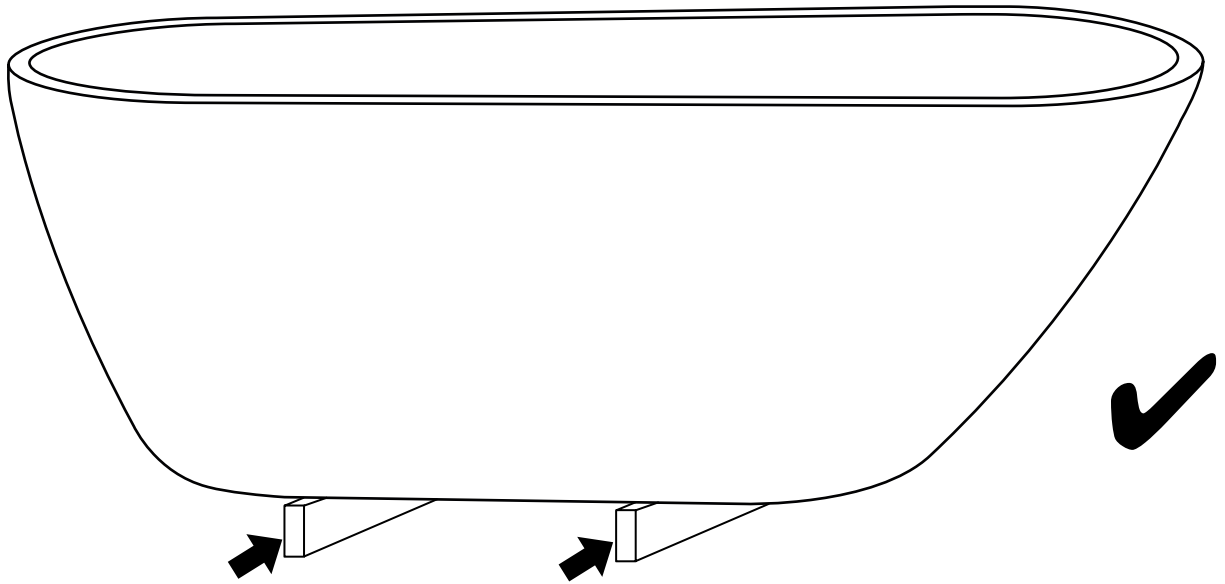
9



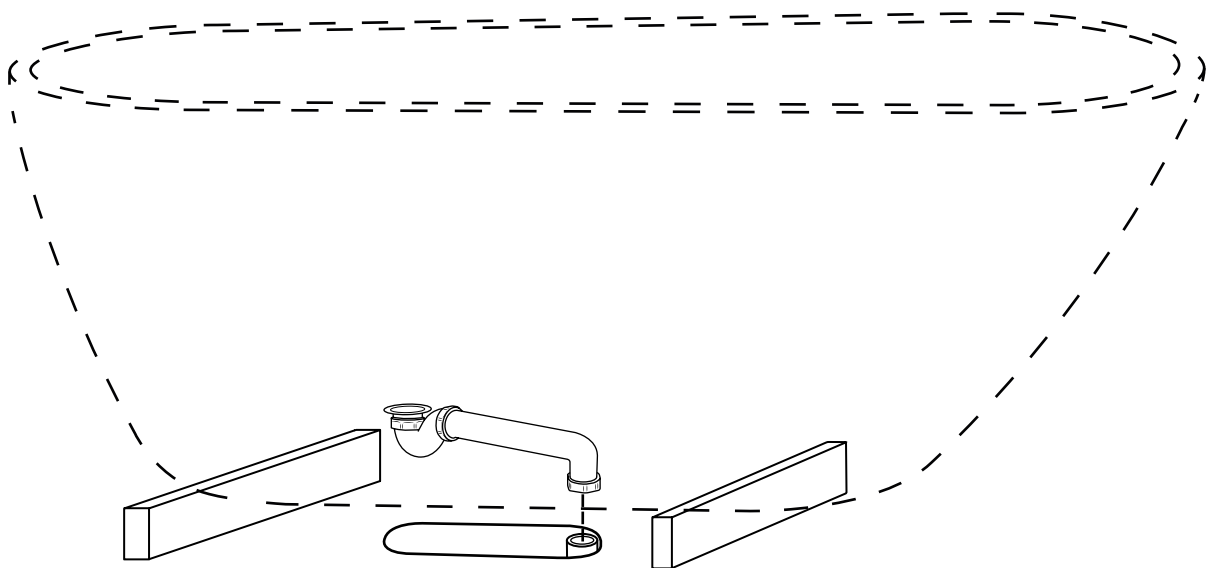
10



11

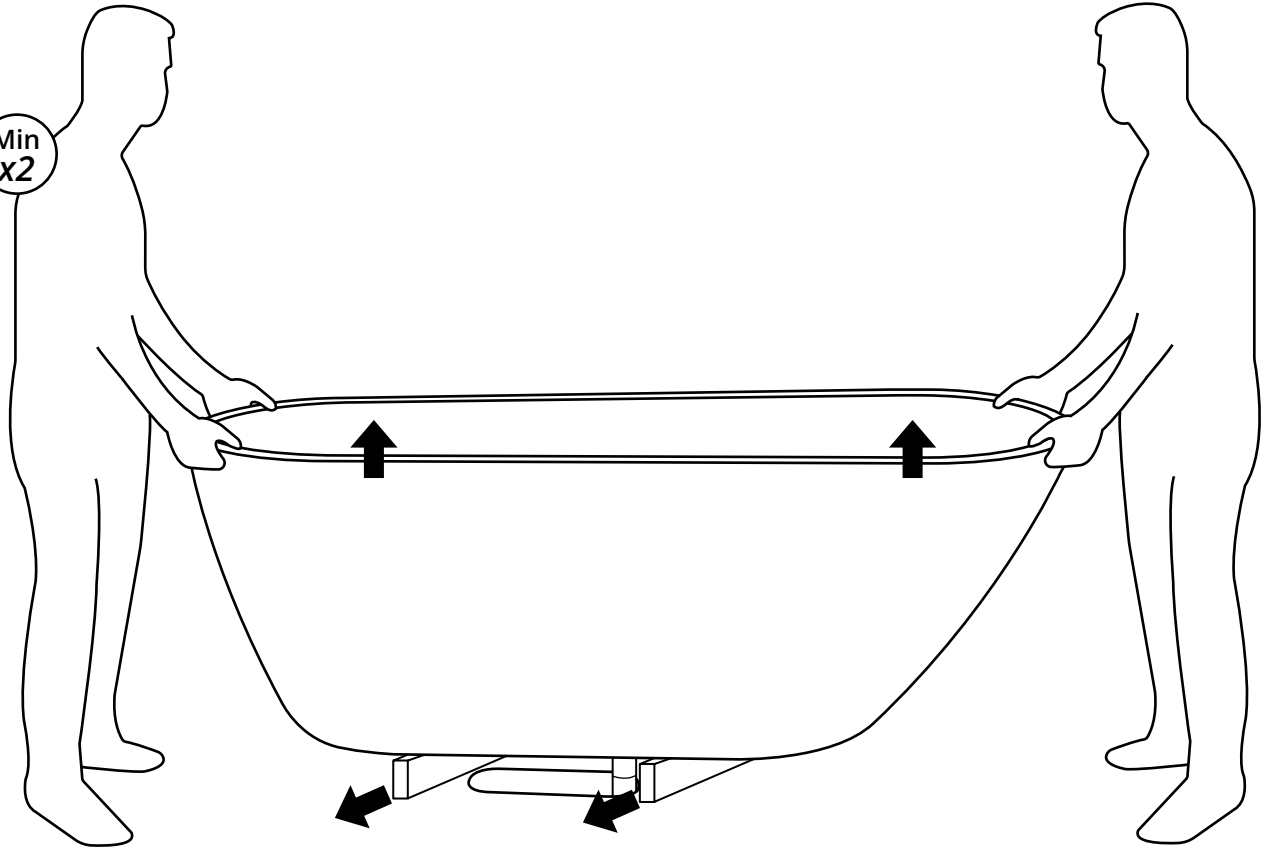


12

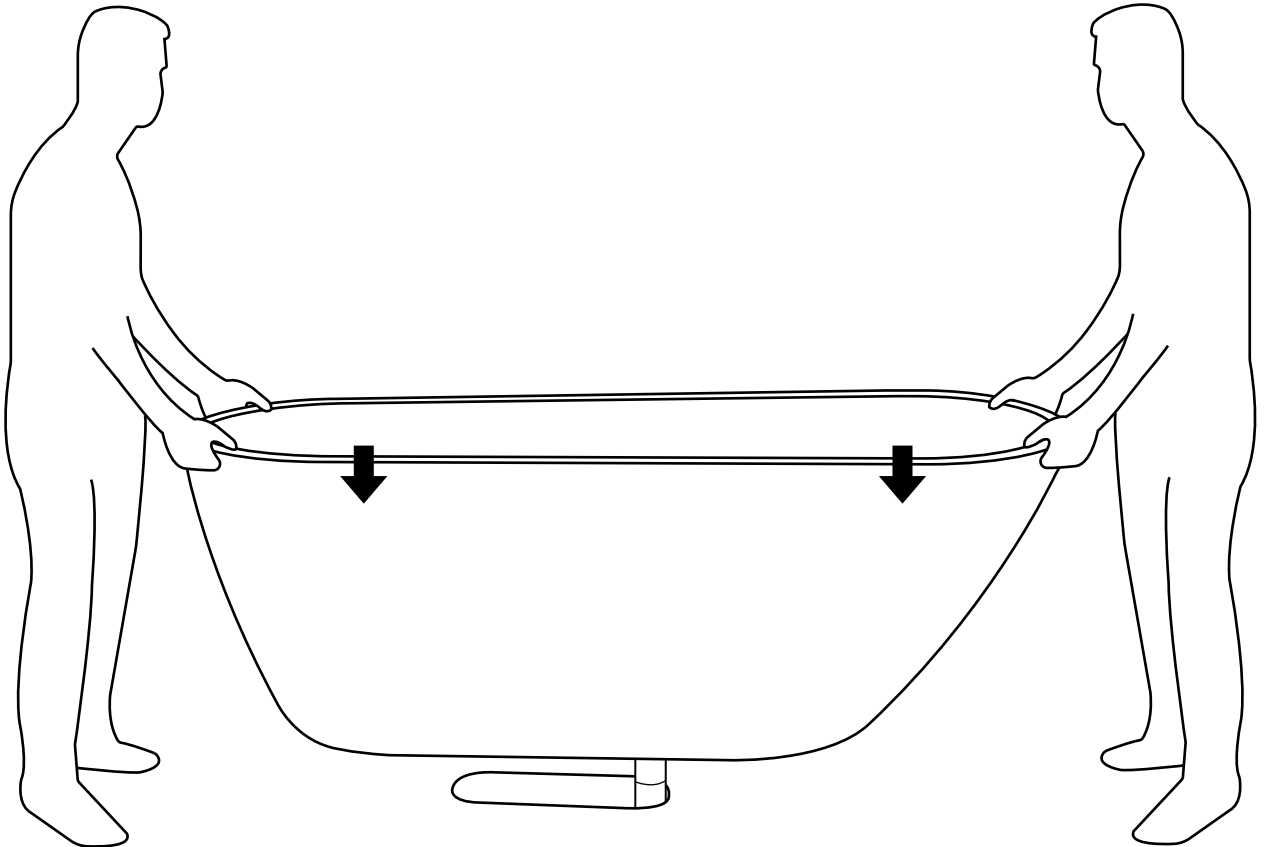


13

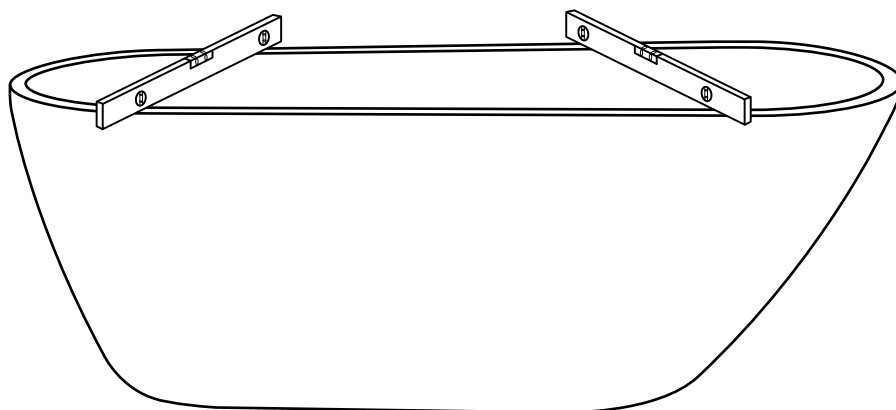
Min  
x2



14



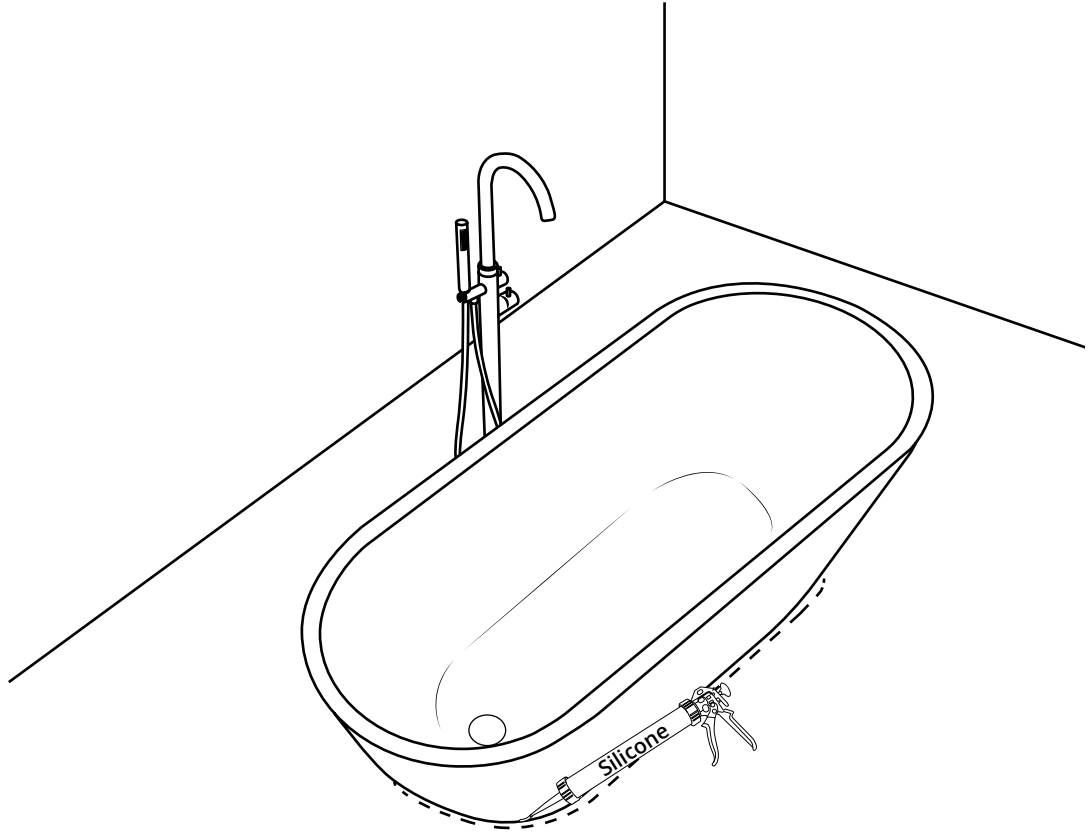
15



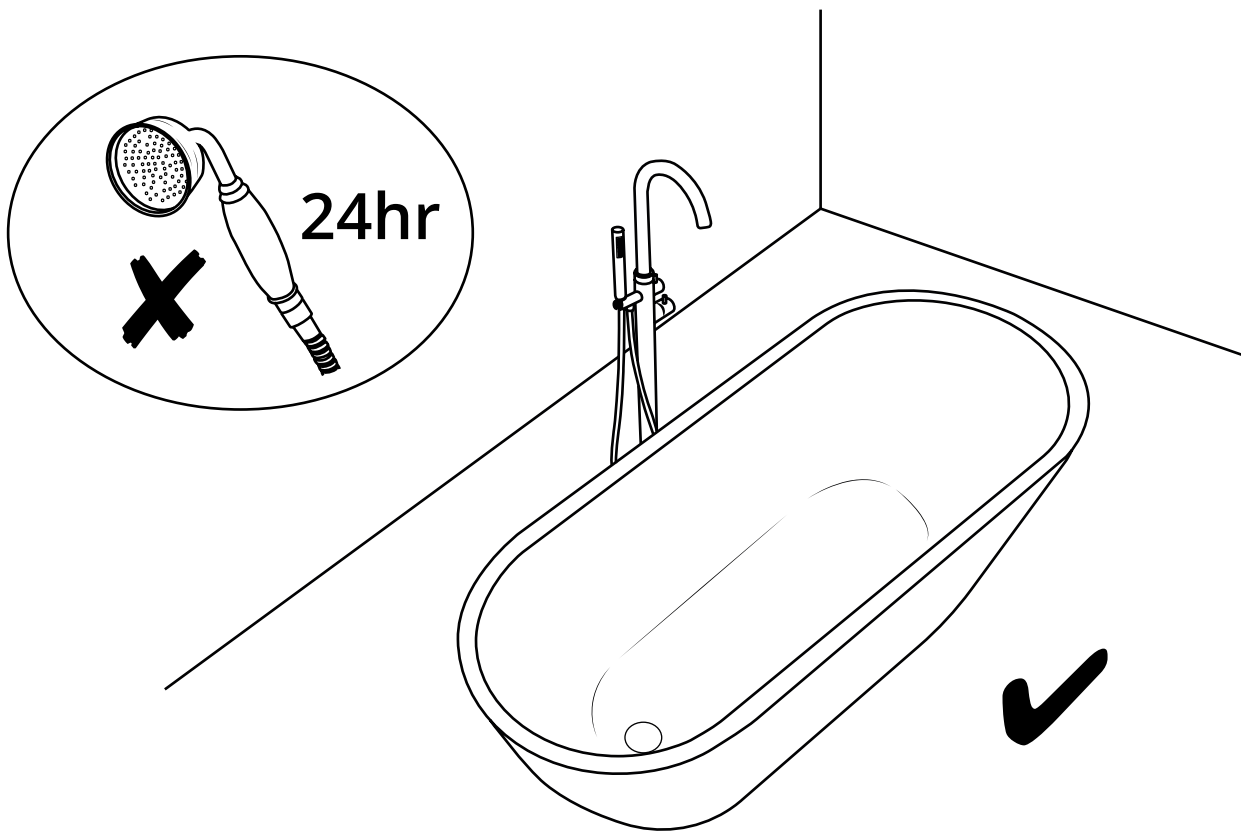
16



16



17



# Change Bath Overflow

## Installation

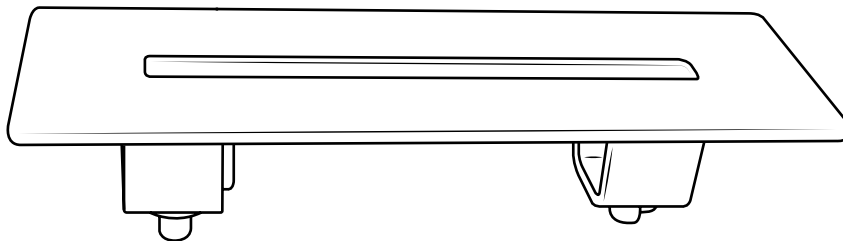
---

*Tools required for installing:*



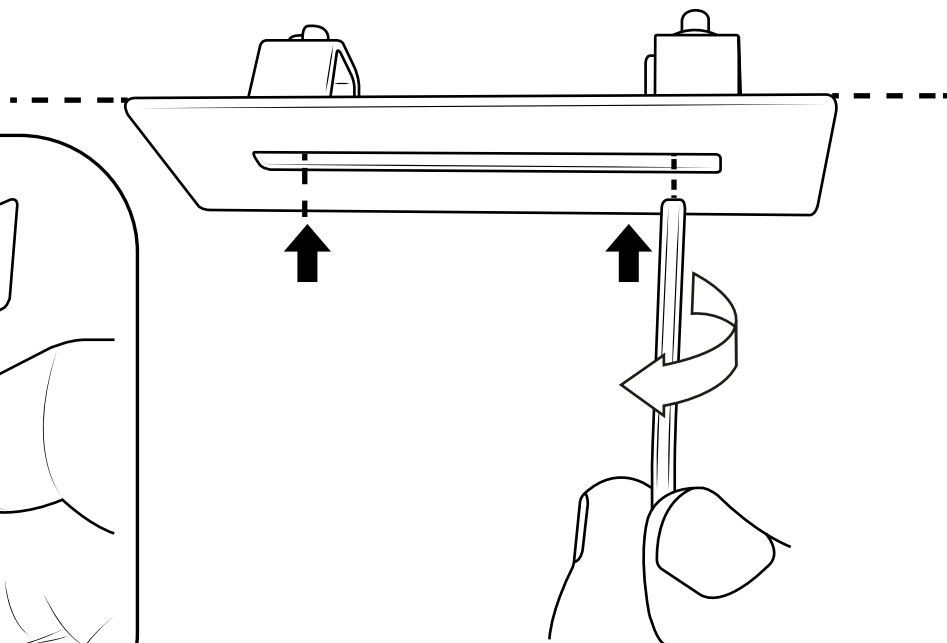
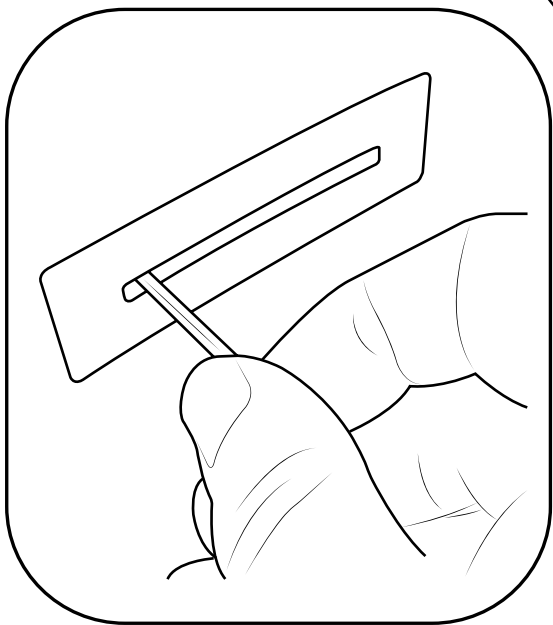
---

*Parts included:*

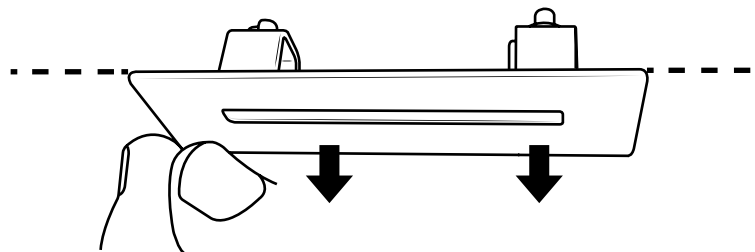
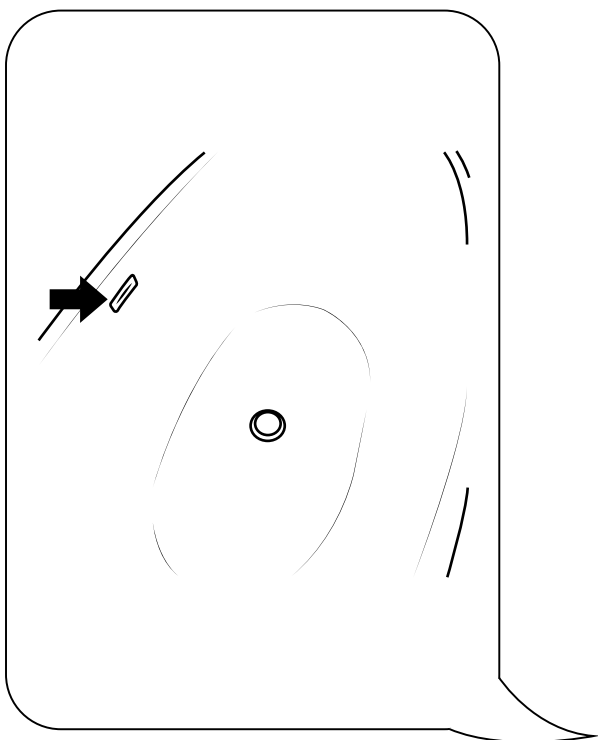


*x1*

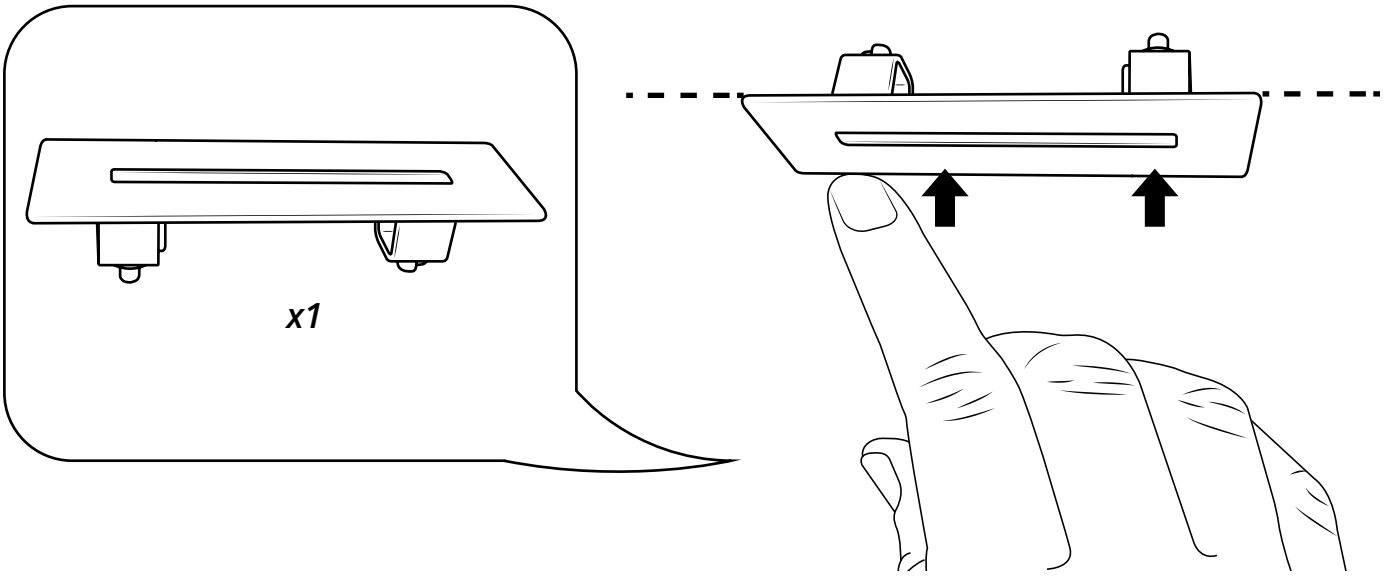
1



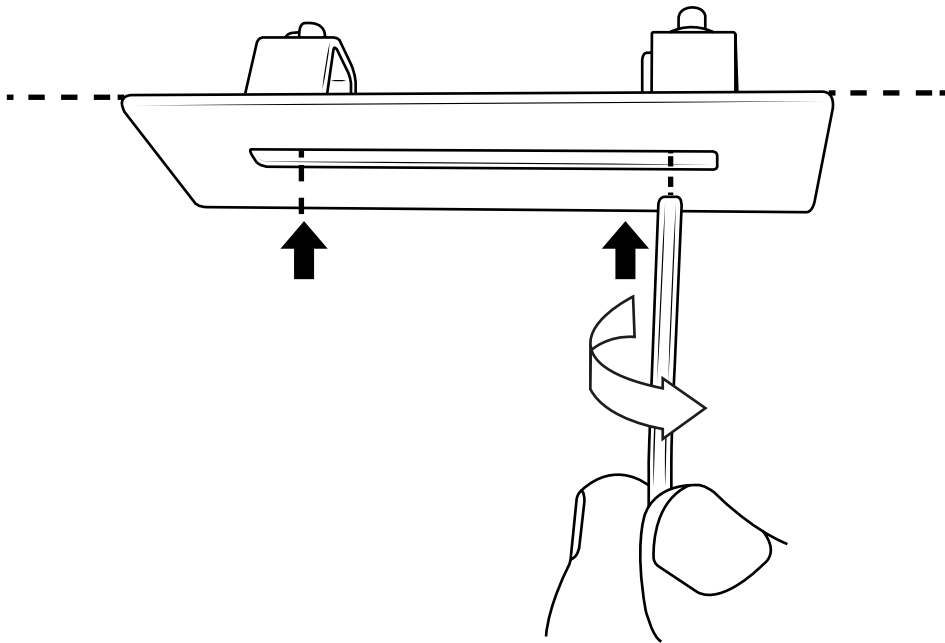
2



3



4



---

5

