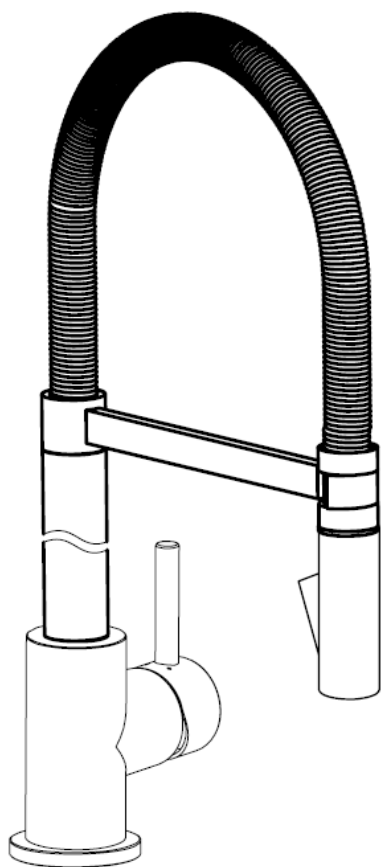



# Kitchen Tap



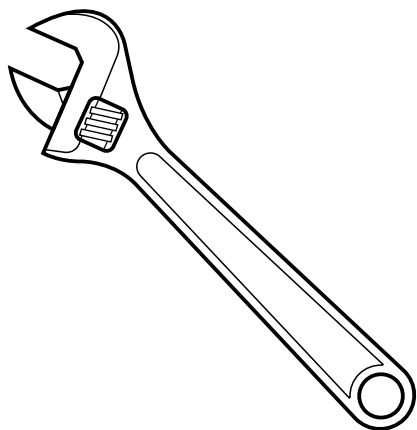
 Style may vary

## Installation Guide

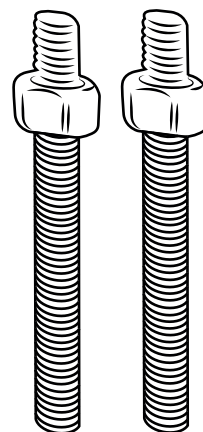
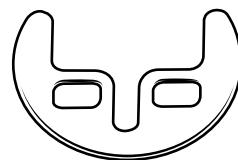
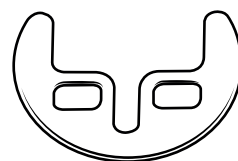
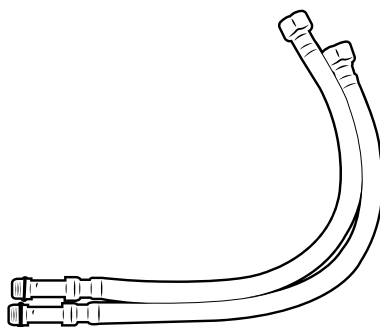
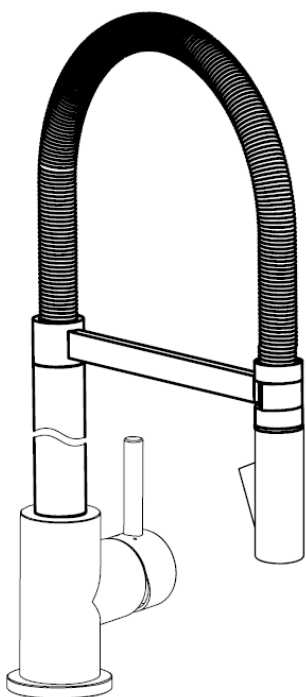
# Installation

---

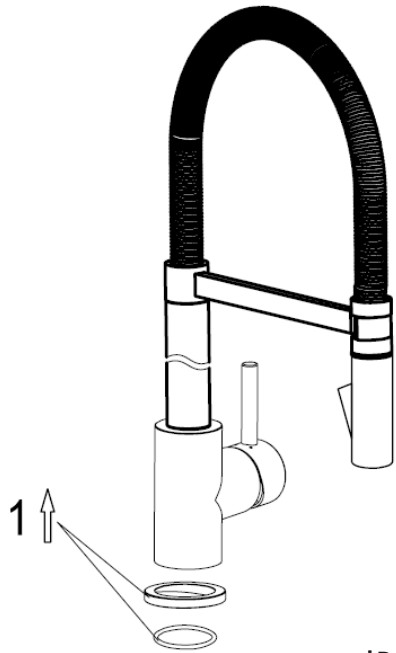
## *Tools required for installing:*



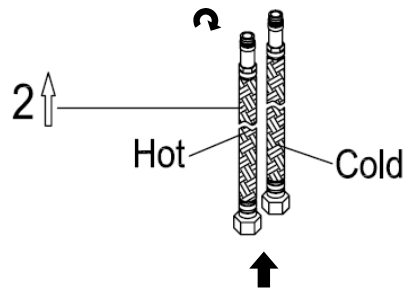
## *Parts included:*



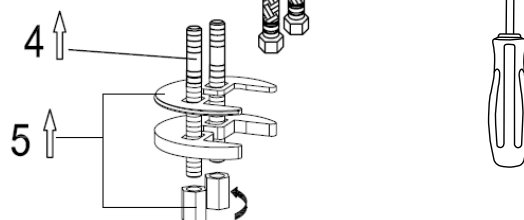
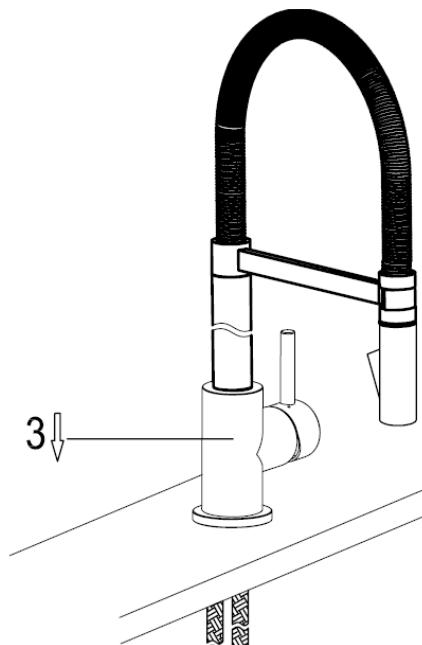
1



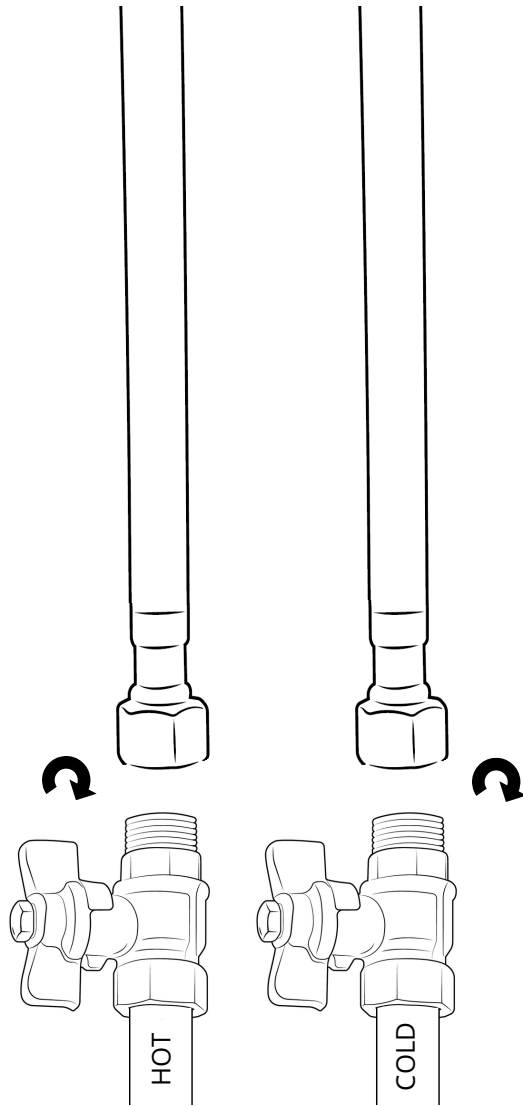
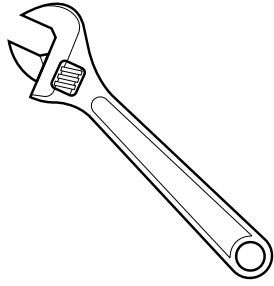
\*Remember to install the 'O' ring o washer between the mixer body & sanitary ware\*

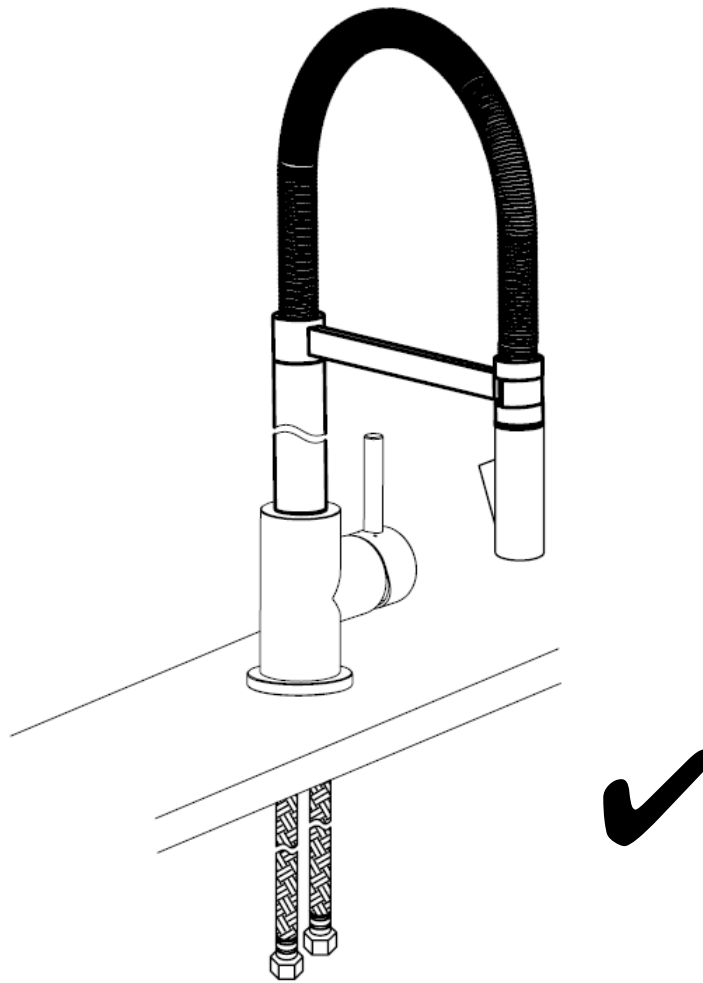


2



3





**i** Style may vary