

Oil Filled Electric Heater Installation & Safety Information

Installation Guide

Contents

Intended Use & safety Information **Page 2**

General Information **Page 2**

Technical Data **Page 2**

Fitting the Feet **Page 3**

Heater Controls **Page 3**

Operation Instructions **Page 4**

Timer Operation **Page 4**

Maintenance **Page 4**

ERP Requirements **Page 5**

Your Guarantee **Page 6**

Aftercare **Page 6**

Recycling and Disposal **Page 6**

Contact us **Page 6**

**This product is only suitable for well insulated spaces or occasional use.
WARNING: READ THIS OWNER'S MANUAL CAREFULLY BEFORE USE**



Intended Use & safety Information

Please read carefully...

This product is intended for use in domestic or commercial environments such as homes, shops, hotels etc.

This product is not intended for use in a corrosive or explosive atmosphere (dust, vapor or gas)

This appliance can be used by children aged from 8 years and above and persons with reduced physical, sensory or mental capabilities or lack of experience and knowledge if they have been given supervision or instruction concerning use of the appliance in a safe way and understand the hazards involved. Children shall not play with the appliance. Cleaning and user maintenance shall not be made by children without supervision.

Children ages from 3 years and less than 8 years shall only switch on/off the appliance provided it is placed or installed in its intended normal operating position and they have been given supervision or instruction concerning use of the appliance in a safe way and understand the hazards involved. Children aged from 3 years and less than 8 years shall not plug in, regulate and clean the appliance or perform user maintenance.

Children of less than 3 years should be kept away unless continuously supervised.

CAUTION: The surface of this product can become very hot and cause burns, please pay attention when children or vulnerable people are around the heater.

This product should be installed by a qualified installer in accordance with all applicable local regulations and connected to an electrical output in good condition.

Extension leads or plug adapters should not be used in order to supply power to this product.

WARNING: In order to avoid overheating, do not cover the heater.

The supply cord cannot be replaced. If the cord is damaged the appliance should be removed and disposed of.

This product is not suitable for use in bathrooms.

WARNING: Do not use this heater in small rooms when they are occupied by persons not capable of leaving the room on their own, only use the device if those individuals are under constant supervision.

Only connect the appliance to single phase AC supply of the voltage specified on the rating plate.

Do not run cord under carpeting and do not cover cord with rugs, runners or the like. Place the heater away from traffic areas and where it will not be tripped over.

This heater is hot when in use, to avoid burns and personal injury, do not let bare skin touch the hot surfaces. If provided, use handles when moving the product.

This heater is filled with a precise quantity of special oil, if any leaks are found turn off the heater immediately and contact the manufacturer.

Always unplug heater when not in use unless the heater is provided with a timer.

The heater should only be connected to a power outlet in good condition.

General Information

Do not throw away packaging until you have located and confirmed that you have all included parts and the product is in good condition.

Check the device for damage before installation and on a regular basis.

If any damaged is found on the appliance or power cord it should not be used.

Keep the power cord away from any hot surfaces of the radiator.

This Heater has no serviceable parts, never dismantle the heter as this will invalidate the warranty and could lead to injury.

Please read the full manual before installing.

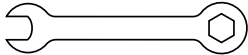
Technical Data:

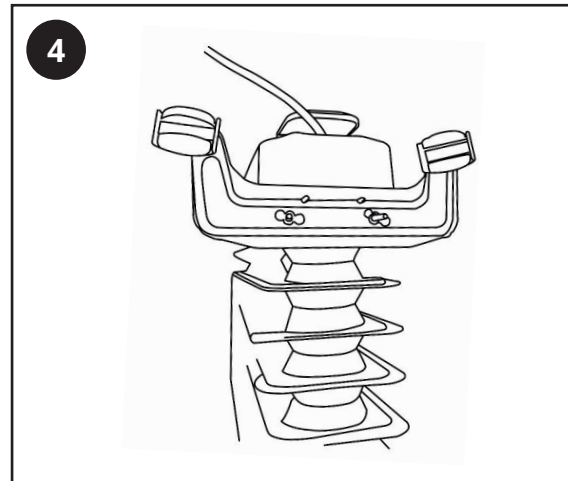
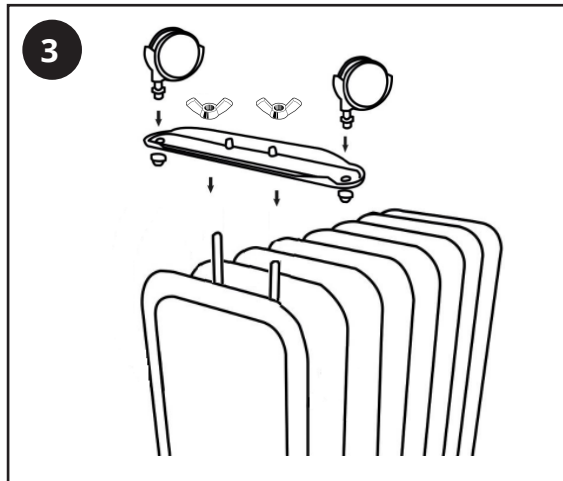
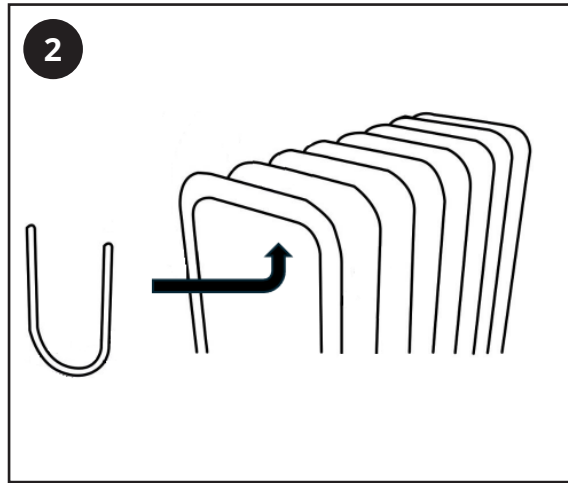
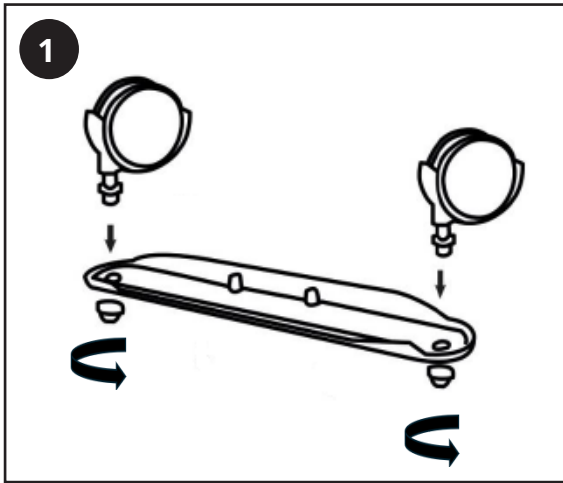
fins	I	II	III
7 fins	600W	900W	1500W
9 fins	800W	1200W	2000W
11 fins	1000W	1500W	2500W
Voltage	230VAC		
Hz	50		
Electrical Class	I		

Fitting the Feet

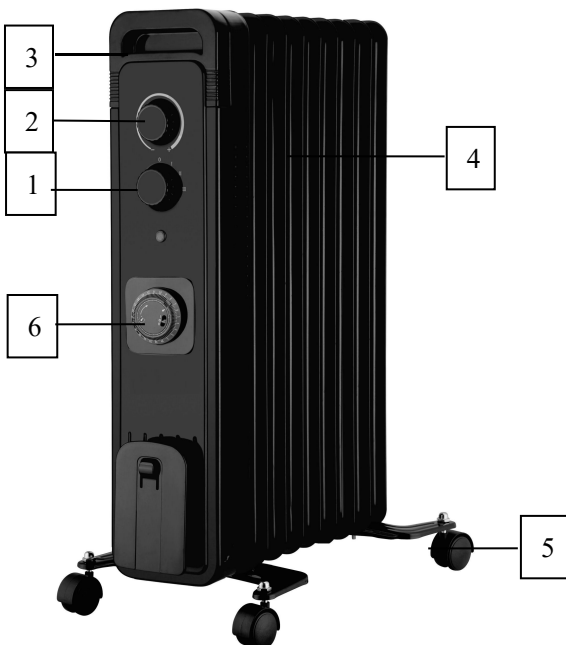
The heater is packaged with the feet unattached. You must attach them before operating the heater.

WARNING: Do not operate without feet attached. Only operate the heater in the upright position.

Tools required: 



Heater Controls:



1. Power switch
2. Thermostat knob
3. Carry handle
4. Radiant fins
5. Castor
6. Timer

Operating Instructions:

Before using the heater, make sure that it is on a flat and stable surface.

Set all the controls to OFF position and insert the plug into an earthed socket-outlet. Be sure that plug fits firmly.

Switch on the heater and rotate the thermostat knob clockwise to the MAX position.

Rotate the power switch to max (III)

When your room reaches the desired temperature, slowly rotate the thermostat knob counter clockwise until the pilot light goes out. The thermostat can now be left at this setting. As soon as the room temperature drops below the set temperature, the unit will switch on automatically until the set temperature has been reached again. In this way the room temperature remains constant with the most economical use of electricity.

If you want to change the room temperature setting, rotate the thermostat knob clockwise to raise the temperature, or counter clockwise to lower it.

NOTE: This heater includes an overheat protection system that will shut off the heater if any parts of the heater get excessively hot.

To completely shut the heater off, turn all the controls to OFF, and remove plug from the socket-outlet.

Timer Operation:

To set the time rotate the clock clockwise to you reach the desired time, do not try to rotate the clock anticlockwise.

The timer has a small switch, the function is as follow:

I - Unit is always ON

Clock Icon - Timer function is ON

0 - The heater is OFF



To set the timer there are 96 small plastic pins each corresponding to a 15 minute interval. Push the pins outward to turn the heater ON and push inward to turn the heater OFF.

The heater will not function if set to timer and all pins are pushed in.

The heater will turn ON/OFF at the desired times corresponding to the pins in or out.

Maintenance

Always remove the plug from the socket-outlet and allow the heater to fully cool down before clean it.

Wipe the heater with a soft damp cloth.

WARNING:

Do not immerse the heater in water.

Do not use any cleaning chemicals such as detergents and abrasives.

Do not allow the interior to get wet as this could create a hazard.

To store away the heater, wind the cable round bobbin and store the heater in a clean dry place.

If the heater stops working, do not try to repair the radiator yourself, always contact the manufacturer for advise.

CONFORMITY WITH DIRECTIVES

This product is CE marked to denote conformity with Directives 2014/35/EU (Low Voltage) and the EMC directive (2014/30/EU), as amended.

ERP Requirements

Model	7 Fins	9 Fins	11 Fins
Heat output			
Nominal heat output (P _{nom} /kw)	1.5	2.0	2.5
Minimum heat output (indicative) (P _{min} /Kw)	0.6	0.8	1.0
Maximum continuous heat output (P _{max.c} /kw)	1.5	2.0	2.5
Auxiliary electricity consumption			
At nominal heat output (e _{lmax} /KW)	0.000	0.000	0.000
At minimum heat output (e _{lmin} /KW)	0.000	0.000	0.000
In standby mode (e _{lSB} /W)	0.00025	0.00025	0.00025

Control options (multiple selections possible)	
Manual heat charge control, with integrated thermostat	N/A
Manual heat charge control with room and/or outdoor temperature feedback	N/A
Electronic heat charge control with room and/or outdoor temperature feedback	N/A
Fan assisted heat output	N/A
Single stage heat output and no room temperature control	No
Two or more manual stages, no room temperature control	No
With mechanic thermostat room temperature control	Yes
With electronic room temperature control	No
Electronic room temperature control plus day timer	No
Electronic room temperature control plus week timer	No
Room temperature control, with presence detection	No
Room temperature control, with open window detection	No
With distance control option	No
With adaptive start control	No
With working time limitation	Yes
With black bulb sensor	No



**Do not Cover
Risk of overheating**



Your Guarantee

To find the specific guarantee for your products please refer to the website.

The guarantee starts from the date of purchase.

The guarantee covers you against issues caused as a result of manufacturing related issues, it does not apply to issues that are found to be a result of poor installation.

Labour costs for installation of the products are not covered under this warranty.

Aftercare

Clean any marks with a soft, dry or damp cloth, for stubborn stains please clean with mild soapy water and dry with a soft cloth. DO NOT use abrasive or acidic cleaners.

If you are unsure, please contact us first.

Recycling and Disposal

The **Waste Electrical and Electronic Equipment Directive (WEEE Directive)** is the **European Community directive 2012/19/EU on Waste Electrical and Electronic Equipment (WEEE)** which, together with the **RoHS Directive 2002/95/EC**, became European Law in February 2003.

The WEEE directive aims to reduce the amount of electrical equipment being produced and to encourage everyone to reuse, recycle and recover it.

In support of these guidelines and for environmental safety, do not dispose of any electrical equipment including those marked with the below symbols.

When replacing old electrical devices with new ones the retailer is legally obligated to take back your old items for disposal free of charge. You can also recycle your old electrical devices free of charge at your local recycling center. Please contact your local council for more information.

Please recycle the packaging in accordance with your local government regulations on waste handling and follow the same advice at the end of the products life.

Product - Steel.

Packaging - Cardboard, plastic.

Contact us

Unit 1 & 2 Dawson Ct

Burnley

Lancashire

BB11 5UB

