

WIFI Oil Filled Electric Heater Installation & Safety Information

Installation Guide

Contents

Intended Use & safety Information **Page 2**

General Information **Page 2**

Technical Data **Page 2**

Fitting the Feet **Page 3**

Heater Controls **Page 3**

Operating Instructions **Page 4/5**

Downloading the ECOSO App **Page 5**

WIFI Connection **Page 5**

App Display **Page 6/7**

ERP Requirements **Page 8**

Connection Issues **Page 9**

Your Guarantee **Page 9**

Aftercare **Page 9**

Recycling and Disposal **Page 9**

Contact us **Page 9**

This product is only suitable for well insulated spaces or occasional use.

WARNING: READ THIS OWNER'S MANUAL CAREFULLY BEFORE USE



Warning 

A minimum distance of 900mm must be kept from curtains and any other flammable materials like clothes or furniture.

Intended Use & safety Information

Please read carefully...

This product is intended for use in domestic or commercial environments such as homes, shops, hotels etc.

This product is not intended for use in a corrosive or explosive atmosphere (dust, vapor or gas)

This appliance can be used by children aged from 8 years and above and persons with reduced physical, sensory or mental capabilities or lack of experience and knowledge if they have been given supervision or instruction concerning use of the appliance in a safe way and understand the hazards involved. Children shall not play with the appliance. Cleaning and user maintenance shall not be made by children without supervision.

Children ages from 3 years and less than 8 years shall only switch on/off the appliance provided it is placed or installed in its intended normal operating position and they have been given supervision or instruction concerning use of the appliance in a safe way and understand the hazards involved. Children aged from 3 years and less than 8 years shall not plug in, regulate and clean the appliance or perform user maintenance.

Children of less than 3 years should be kept away unless continuously supervised.

CAUTION: The surface of this product can become very hot and cause burns, please pay attention when children or vulnerable people are around the heater.

This product should be installed by a qualified installer in accordance with all applicable local regulations and connected to an electrical output in good condition.

Extension leads or plug adapters should not be used in order to supply power to this product.

WARNING: In order to avoid overheating, do not cover the heater.

The supply cord cannot be replaced. If the cord is damaged the appliance should be removed and disposed of.

This product is not suitable for use in bathrooms.

WARNING: Do not use this heater in small rooms when they are occupied by persons not capable of leaving the room on their own, only use the device if those individuals are under constant supervision.

Only connect the appliance to single phase AC supply of the voltage specified on the rating plate.

Do not run cord under carpeting and do not cover cord with rugs, runners or the like. Place the heater away from traffic areas and where it will not be tripped over.

This heater is hot when in use, to avoid burns and personal injury, do not let bare skin touch the hot surfaces. If provided, use handles when moving the product.

This heater is filled with a precise quantity of special oil, if any leaks are found turn off the heater immediately and contact the manufacturer.

Always unplug heater when not in use unless the heater is provided with a timer.

The heater should only be connected to a power outlet in good condition.

General Information

Do not throw away packaging until you have located and confirmed that you have all included parts and the product is in good condition.

Check the device for damage before installation and on a regular basis.

If any damaged is found on the appliance or power cord it should not be used.

Keep the power cord away from any hot surfaces of the radiator.

This Heater has no serviceable parts, never dismantle the heter as this will invalidate the warranty and could lead to injury.

Please read the full manual before installing.

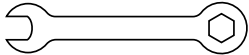
Technical Data:

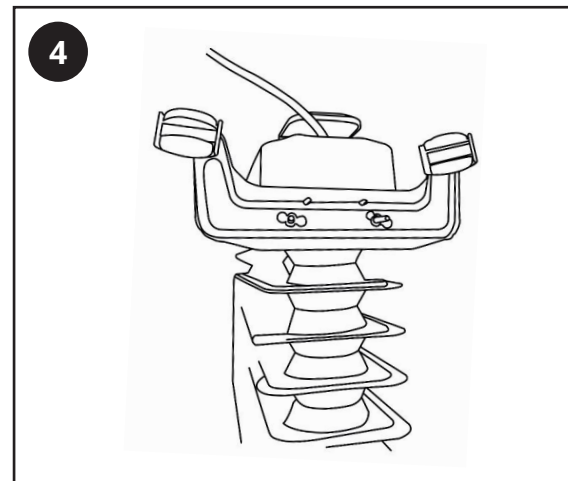
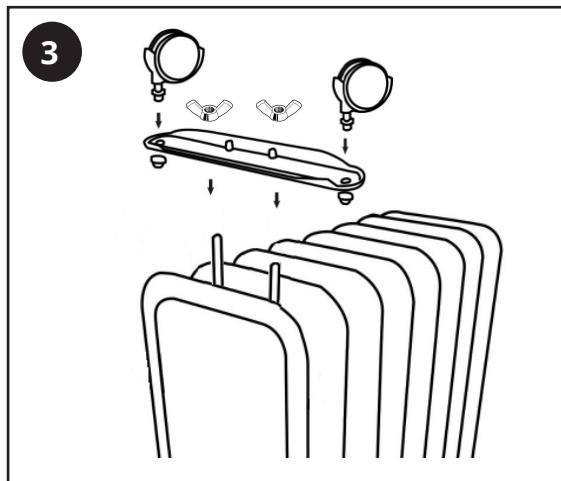
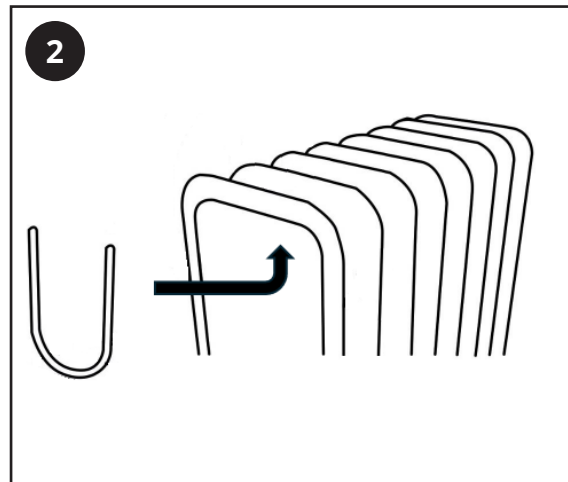
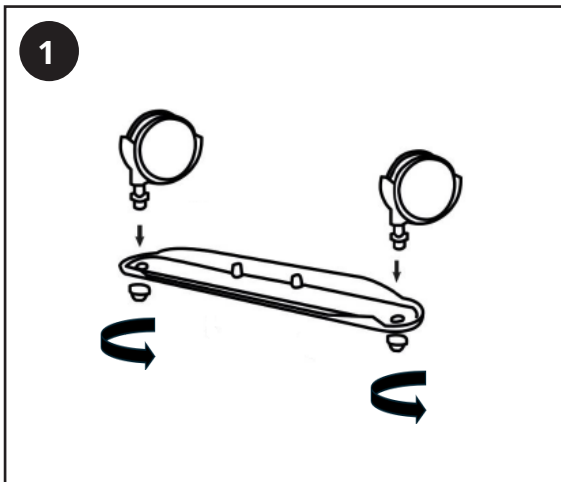
fins	ECO Mode	Comfort Mode
7 fins	600W	1500W
9 fins	800W	2000W
11 fins	1000W	2500W
Voltage	230VAC	
Hz	50	
Electrical Class	I	

Fitting the Feet

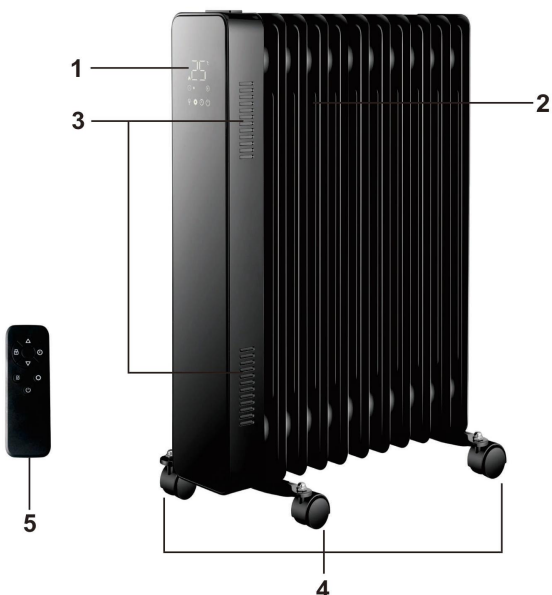
The heater is packaged with the feet unattached. You must attach them before operating the heater.

WARNING: Do not operate without feet attached. Only operate the heater in the upright position.

Tools required: 



Heater Controls:



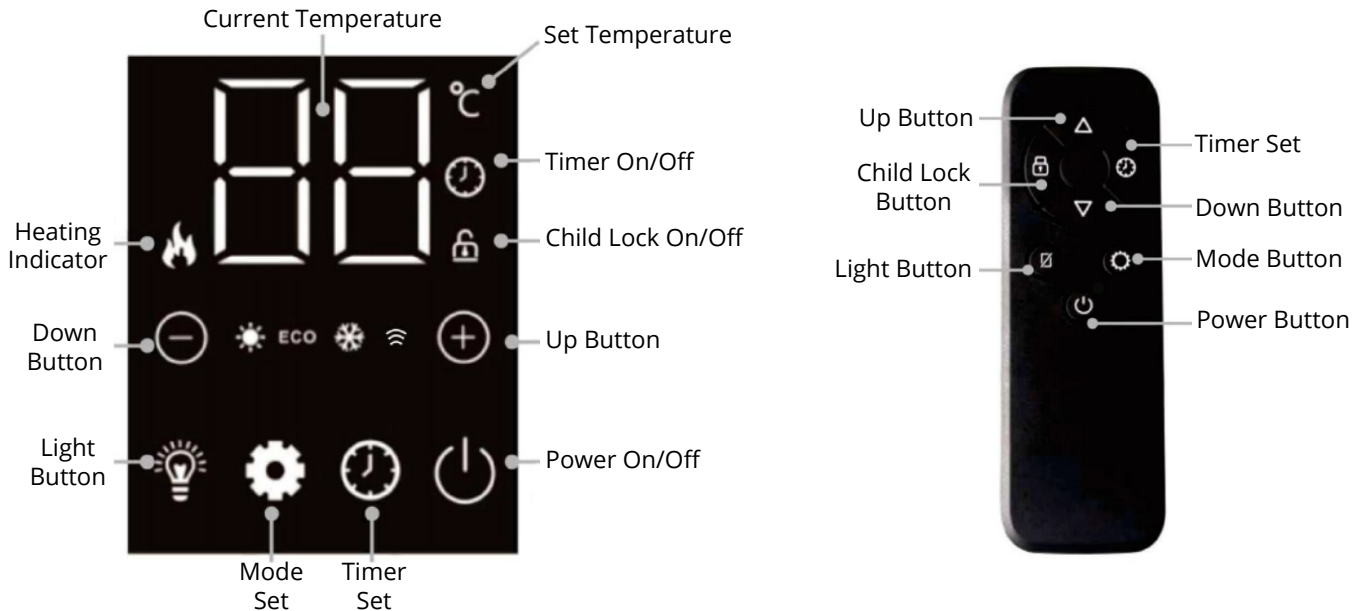
1. LED control panel
2. Radiant fins
3. Ventilation slots
4. Castors
5. Remote control

Operating Instructions:




Before using the heater, make sure that it is on a flat and stable surface.

The heater can be operated from the control panel on the unit, Via the free ECOSO App or with the supplied remote control. The buttons on both the control panel and remote operate the same functions. When using the remote control, ensure it contains 2 x "AAA" size batteries. When using the remote control, always point at the control panel of the heater with a maximum distance of 2 meters.

Control Panel & Remote Control Functions



Heating Modes

Once the heater is plugged in, switch on the heater via the side switch, it will enter into standby mode. To initiate the heating, press the Power button , Select the different heating modes by pressing the MODE button , The heating icon  shows to indicating that the heater is functioning.

ECO Mode 

COMFORT Mode 

ANTIFROST Mode 

Eco mode:

The Eco mode is the energy saving setting mode, In this mode, the heater operates at a low power of approximately 7 fins: 600W, 9 fins: 800W & 11 fins: 1000W, therefore will consume less electricity.

(Note: Upon activation, the Heater will resume its previous mode from the time it was last powered off, in order to facilitate future usage).

Comfort mode:

In Comfort mode, the heater works at its maximum power (7 fins: 1500W, 9 fins: 2000W & 11 fins: 2500W).

Anti-frost mode:

Anti-frost mode is an automatic setting designed to prevent frosting. In this mode, the heater starts operating when the ambient temperature drops below 5°C. It will stop heating once the ambient temperature rises above 7°C.

Temperature setting:

To set the temperature while in Eco or Comfort mode, press the + or - buttons. The temperature in Eco or Comfort can be set within a range of 5°C to 35°C, while in anti-frost mode, the temperature cannot be adjusted.

Timer setting:

To set the timer, press the Timer button, once for 1hr, twice for 2hrs etc. The timer can be set from 1 to 24 hours.

After setting the time, the digits will flash, and the screen will revert back to its original mode, the control panel will display the time icon indicating that the timer has been set.

If the timer is set in standby mode, the heater will turn on after the set time.

Setting up the child lock:

To avoid children playing with the heater, the unit includes a child lock function.

Press and hold the + and - buttons on the control panel or the padlock button if you are using the remote control. The child lock icon appears on the display. At this moment the control panel will be locked preventing unauthorized adjustments. (Please note the remote control can still be used, except for the light function.)

To cancel the child lock, press and hold down the same two buttons on the control panel or the lock button on the remote control until the icon disappears from the display. All functions will now be enabled.


Adjusting the display Brightness:

To adjust the brightness of the light on the display use the light button

One press - dim the light to 50%.

Two presses - completely turn off the display.

Three presses - display at its maximum brightness.

When using the remote control, hold the  button to switch off the display light while the heater is operating. Press it once more to switch on the display light.

Switching off the heater:

To shut down the heater, press the POWER button to enter standby mode.

Let the heater cool down before unplugging it or restarting it.

To switch off the heater completely, push the side power switch, and unplug the supply cord from the power supply.

Note: The heater will take some time to cool down after the power is shut off. Always wait until it has cooled before moving it.

Downloading the ECOSO App:

Download the "ECOSO" app by searching for the app in your chosen store or scan the below QR code and follow the on screen instructions to register, the App is compatible with both Android and IOS.



WIFI Connection:

Turn on the heater and press the light button for 5s until the WIFI icon begins to flash on the display indicating it is in connection mode.

Please ensure your mobile phone has Bluetooth enabled.

Open the ECOSO App, and tap the + icon in the top right corner of the screen then tap 'Add Device'.

The App will automatically scan for nearby devices, when the heater is found it will show on the screen, tap on the heater and add your home WIFI network and password when prompted, tap next.

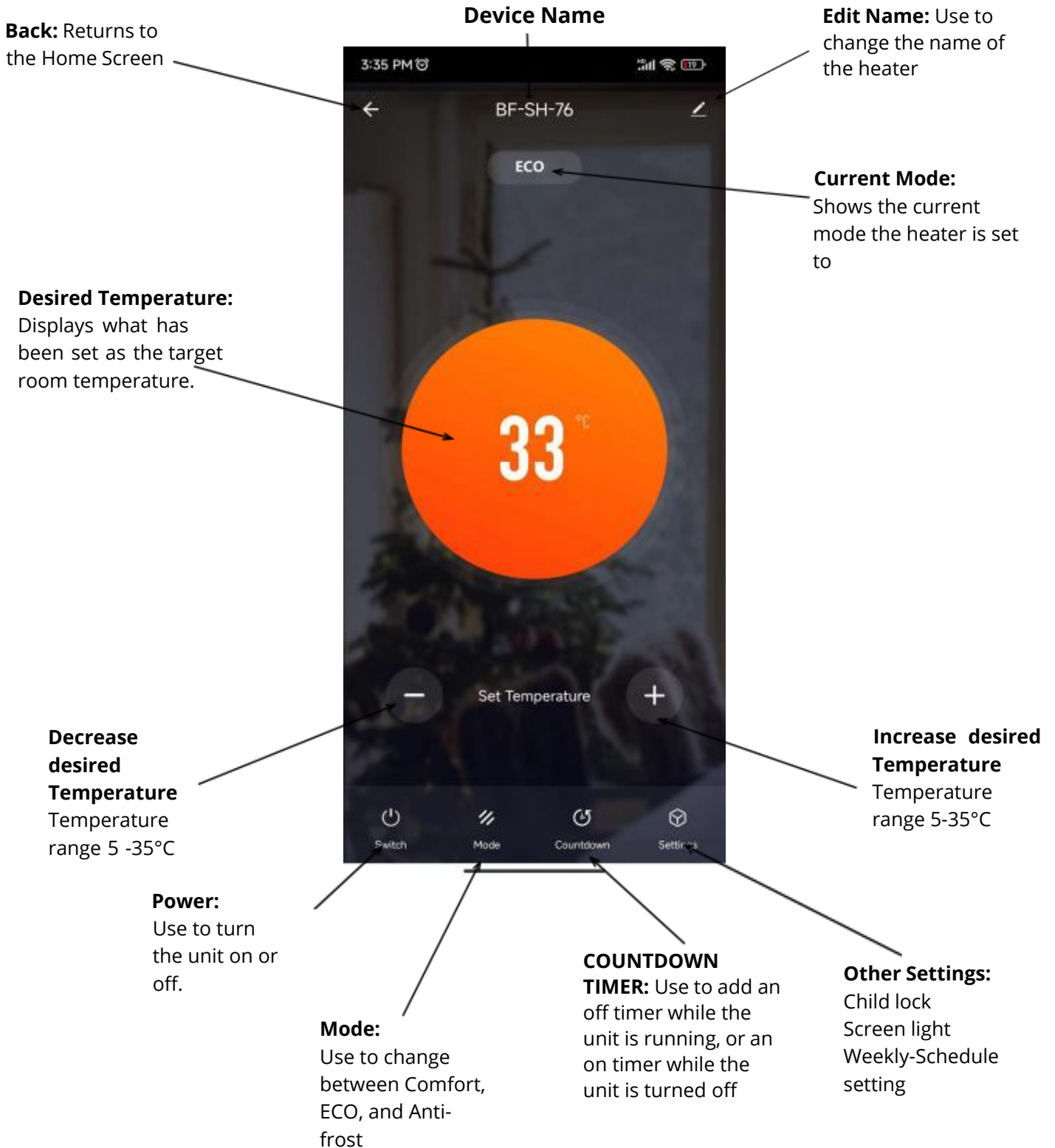
The heater will then connect, once connected tap 'Done' to display the heaters user interface.

If the heater is not automatically detected the heater can be connected in AP mode, to do this please see the 'Connection Issues' section on page 9.

App Controls:

The device screen is the main control screen for the heater, providing access to the controls to amend the functions and settings.

App Display



Countdown

Allows you to set the timer between 1 and 24hrs

Settings:

Child lock, sleep mode and timer.

Timer/Schedule

To add a schedule select settings>timer>Add, you can set the time and operation, for example 12:00>switch on, this will switch on the heater at 12:00 in the last mode selected. You can select the days by pressing Repeat and selecting the day or days you would like for the schedule.

Me Tab

The Me tab gives you the option to edit both your details, and use the added features of the unit.

Home Management

Home Management provides options for managing your ECOSO account, giving options such as creating a home, adding and removing rooms, and sharing devices with family.

Message Centre

View notifications from devices, if alarms are set up (dependent on device)

FAQ & Feedback:

Provides assistance using the features provided within the app

Troubleshooting - Connection

Check the device is powered on and is in connection mode.

Ensure the Wi-Fi password has been entered into the app correctly (Case sensitive).

Check that the phone is connected to the Wi-Fi you are connecting the device to .

Ensure the network you are connecting it to is 2.4Ghz (5Ghz Wi-Fi networks are not supported, and that there is a strong Wi-Fi signal to the item).

If your router is dual band, ensure that the 2.4ghz network has a different network name (SSID). Further advice on changing router settings will be available from your Internet service provider/Router manufacturer.

Check the settings on the router. Encryption should be WPA2-PSK and authorization type should be set to AES

Try using the alternative connection method on page 9, connection in AP mode.

Safety Cutout:

The heater includes three safety protections.

Thermostat:

When encountering overheating, the heater automatically transitions to low gear heating and resets once the temperature returns to a normal level following a brief cooling period. If overheating or malfunctions persist, please switch off the heater and contact the manufacturer.

Automatic thermal cut-off:

This system permanently cuts power to the heater in the event of overheating or malfunction. If the heater switches off and does not switch back on please contact the manufacturer.

Tip Over switch:

This technology switches off the heater if it is knocked over or tilted to a position where safe operation is in jeopardy. Should this happen, place the heater upright again but take care as it will still be hot. Once the heater is restored to an upright position, the heater will reset to work.

Battery replacement for the remote control:

The remote control is powered by 2 x "AAA" size batteries. To install them, or to replace them when required, open the cover of the battery compartment located at the back of the remote control and insert 2 x "AAA" batteries, making sure to match the polarity markings (+/-) on the batteries with those inside the compartment.

Battery precautions:

Do not open the batteries or short circuit them.

Do not mix different types of batteries. Due to increased risk of leakage, discharged batteries should be removed. The batteries should also be removed from the remote control if it is not being used for long periods.

WARNING: Danger of explosion! To prevent a risk of explosion, batteries must not be charged, heated or disposed of by burning. Never subject batteries to high temperatures.

Used batteries should not be disposed of in household waste. Dispose them in accordance with your local regulations.

ERP Requirements

Model	7 Fins	9 Fins	11 Fins
Heat output			
Nominal heat output (Pnom/kw)	1.5	2.0	2.5
Minimum heat output (indicative) (Pmin/Kw)	0.6	0.8	1.0
Maximum continuous heat output (Pmax.c/kw)	1.5	2.0	2.5
Power consumption			
In off mode (Po/W)	0.000	0.000	0.000
In standby mode (Psm/W)	0.83	0.83	0.83
In idle mode (Pidle/W)	0.83	0.83	0.83
In network standby mode (Pnsm/W)	0.97	0.97	0.97
Standby mode with display information or status	Yes		
Seasonal space heater energy efficiency in active mode	94.5%		

Control options (multiple selections possible)	
Single stage heat output and no room temperature control	No
Two or more manual stages, no room temperature control	No
With mechanic thermostat room temperature control	No
With electronic room temperature control	No
Electronic room temperature control plus day timer	No
Electronic room temperature control plus week timer	Yes
Other control (multiple selections possible)	
Room temperature control, with presence detection	No
Room temperature control, with open window detection	No
With distance control option	Yes
With adaptive start control	No
With working time limitation	Yes
With black bulb sensor	No
With self learning function	No
With control accuracy	No



**Do not Cover
Risk of overheating**



Connection Issues:

If the heater does not automatically connect you can connect in AP mode.

1. Tap the + icon in the top right corner of the App and 'Add Device'
2. Select 'ECOSO Electric Oil Filled Heater' from the list of products.
3. Turn off the heater for 10s then power back on, tap next.
4. Press and hold the light button on the heater until the WIFI icon begins to flash, tap next.
5. Confirm the WIFI icon is blinking, tap next.
6. Enter your home WIFI network and password, tap next.
7. Tap Go to Connect and select 'Smartlife-1477'
8. You may now be presented with the 'Internet May not be Available Screen', tap 'Connect only this time'
9. You will then be connected to the heater and 'Smartlife-1477 Connected without Internet' will show on your phone screen.
10. Press the back button on your phone, the screen will then display a timer and 'Connecting Device'.
11. Once the heater has been connected, the screen will display 'Added successfully', tap done.
12. The App will then display the heaters user interface.
Please note: This device will only pair in 2.4GHz, if using 5GHz change when prompted, if using 2.4GHz tap 'Continue with Current Network'.

Your Guarantee

To find the specific guarantee for your products please refer to the website.

The guarantee starts from the date of purchase.

The guarantee covers you against issues caused as a result of manufacturing related issues, it does not apply to issues that are found to be a result of poor installation.

Labour costs for installation of the products are not covered under this warranty.

Aftercare

Clean any marks with a soft, dry or damp cloth, for stubborn stains please clean with mild soapy water and dry with a soft cloth. DO NOT use abrasive or acidic cleaners.

If you are unsure, please contact us first.

Recycling and Disposal

The **Waste Electrical and Electronic Equipment Directive (WEEE Directive)** is the **European Community directive 2012/19/EU on Waste Electrical and Electronic Equipment (WEEE)** which, together with the **RoHS Directive 2002/95/EC**, became European Law in February 2003.

The WEEE directive aims to reduce the amount of electrical equipment being produced and to encourage everyone to reuse, recycle and recover it.

In support of these guidelines and for environmental safety, do not dispose of any electrical equipment including those marked with the below symbols.

When replacing old electrical devices with new ones the retailer is legally obligated to take back your old items for disposal free of charge. You can also recycle your old electrical devices free of charge at your local recycling center. Please contact your local council for more information.

Please recycle the packaging in accordance with your local government regulations on waste handling and follow the same advice at the end of the products life.

Product - Steel.

Packaging - Cardboard, plastic.

Contact us

Unit 1 & 2 Dawson Ct
Burnley
Lancashire
BB11 5UB

