

# Dry Electric Radiator

## Installation & Safety Information

### Installation Guide

#### **Contents**

Intended use & Safety Information **Page 2**

Installation **Page - 3/4**

Electrical Connection **Page - 5**

Product Specifications **Page - 5**

Your Guarantee **Page - 6**

Aftercare **Page - 6**

Recycling & Disposal - **Page 6**

Contact Us **Page - 6**

# Intended Use & safety Information

---

## ***Please read carefully...***

This product is intended for use in domestic or commercial environments such as homes, shops, hotels etc.

This product is not intended for use in a corrosive or explosive atmosphere (dust, vapor or gas)

This appliance can be used by children aged from 8 years and above and persons with reduced physical, sensory or mental capabilities or lack of experience and knowledge if they have been given supervision or instruction concerning use of the appliance in a safe way and understand the hazards involved. Children shall not play with the appliance. Cleaning and user maintenance shall not be made by children without supervision.

Children ages from 3 years and less than 8 years shall only switch on/off the appliance provided it is placed or installed in its intended normal operating position and they have been given supervision or instruction concerning use of the appliance in a safe way and understand the hazards involved. Children aged from 3 years and less than 8 years shall not plug in, regulate and clean the appliance or perform user maintenance.

Children of less than 3 years should be kept away unless continuously supervised.

**CAUTION:** The surface of this product can become very hot and cause burns, please pay attention when children or vulnerable people are around the heater.

This product should be installed by a qualified installer in accordance with all applicable local regulations and connected to an electrical output in good condition.

Extension leads or plug adapters should not be used in order to supply power to this product.

**WARNING:** In order to avoid overheating, do not cover the heater.

The supply cord cannot be replaced. If the cord is damaged the appliance should be removed and disposed of.

This product can only be installed outside zones 1 and 2 when installing in a bathroom.

**WARNING:** The product is not equipped with a device to control the temperature. Do not use this heater in small rooms when they are occupied by persons not capable of leaving the room on their own, only use the device if those individuals are under constant supervision. To ensure the safety of very small children, install the product so the lowest tube is at least 600 mm above the floor.

## General Information


Do not throw away packaging until you have located and confirmed that you have all included parts and the product is in good condition.

Check the device for damage before installation and on a regular basis.

If any damaged is found on the appliance or power cord it should not be used, if any damage is caused once installed or during installation the device should be switched off and disconnected immediately.

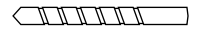
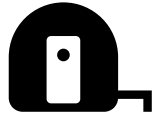
Keep the power cord away from any hot surfaces of the radiator.

This radiator has no serviceable parts, never dismantle the radiator as this will invalidate the warranty and could lead to injury.

 Please read the full manual before installing.

# Installation

## Tools required for installing:



10mm

## Installation Safety Information

Always disconnect the power before installing.

If in any doubt contact a qualified or fully competent person.

The product should only be connected to a power outlet in good condition.

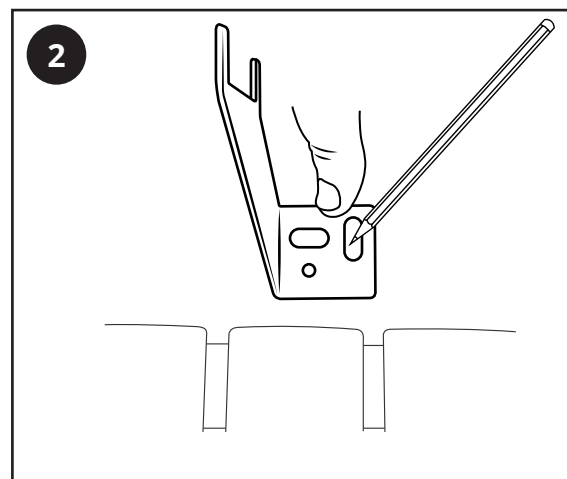
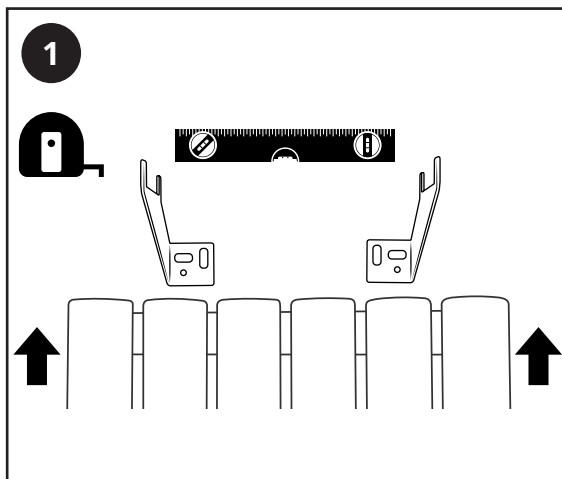
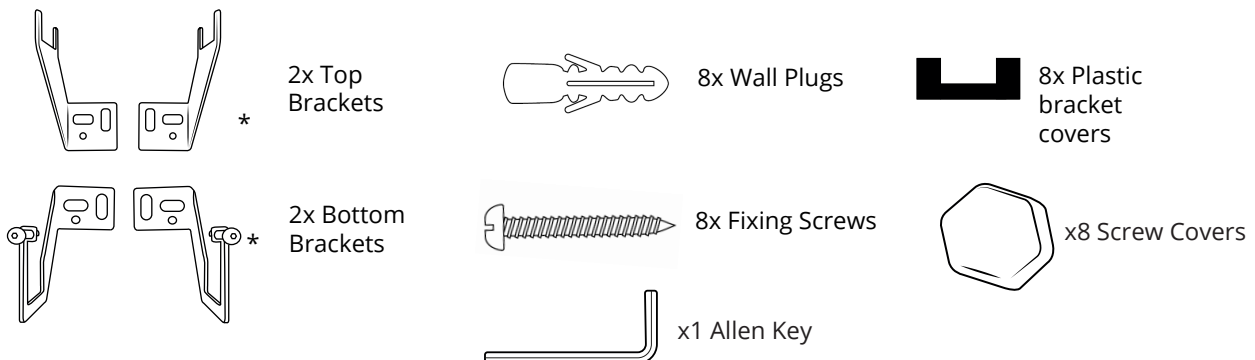
Local electrical regulations must be adhered to when installing.

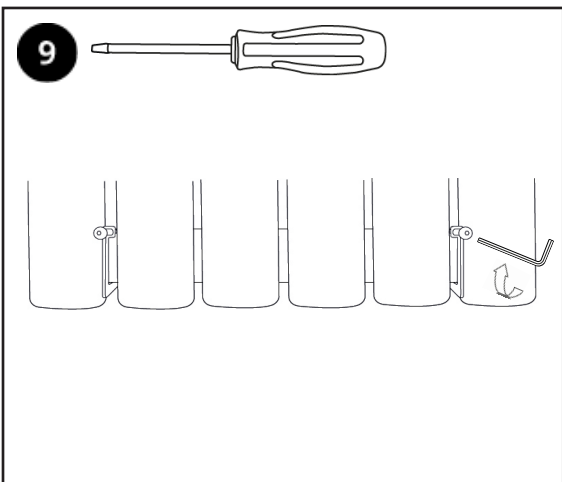
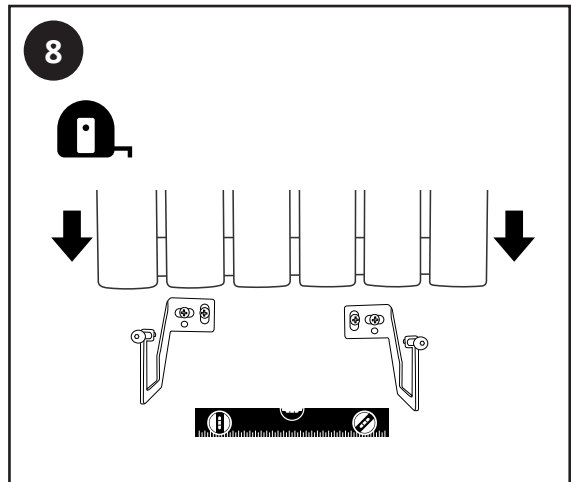
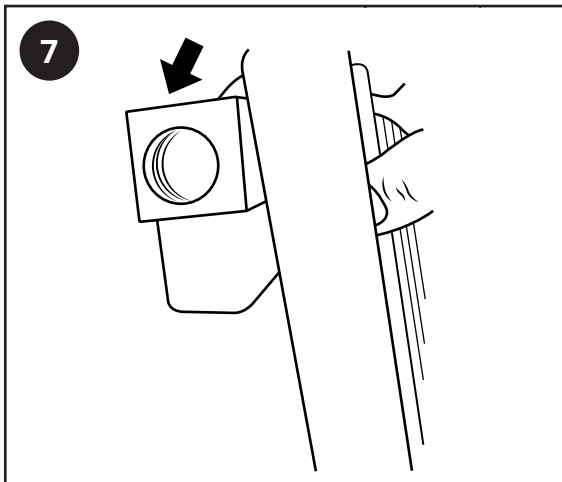
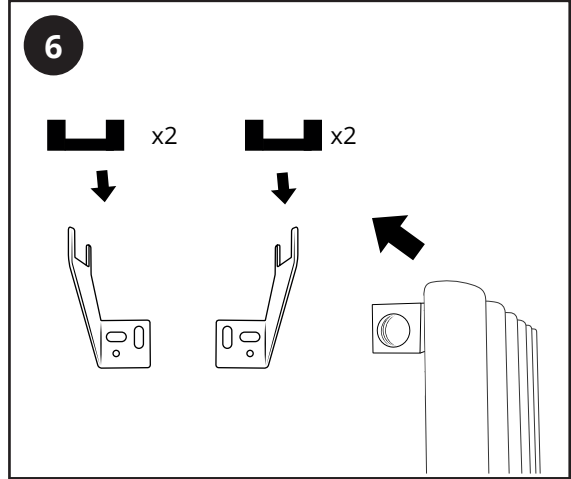
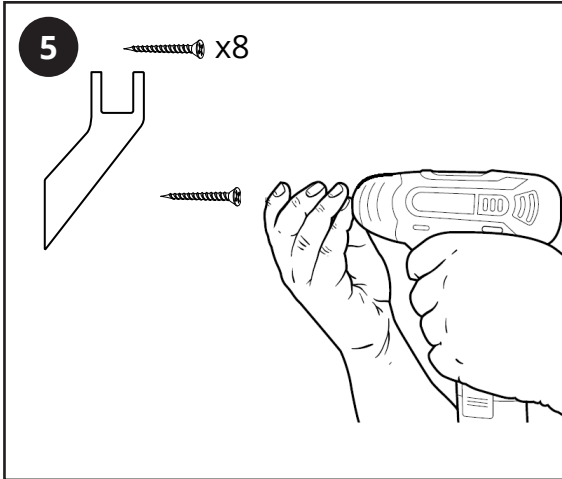
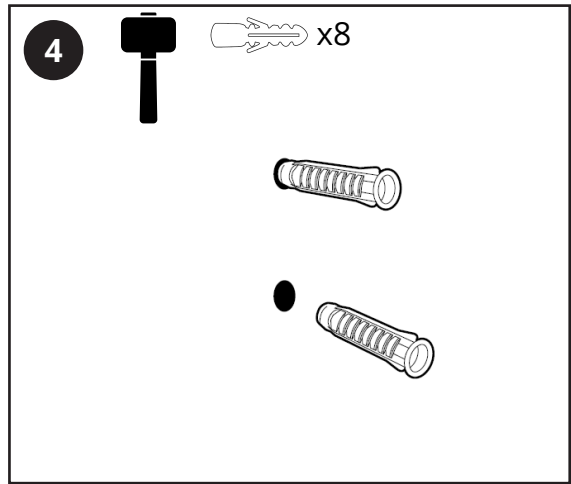
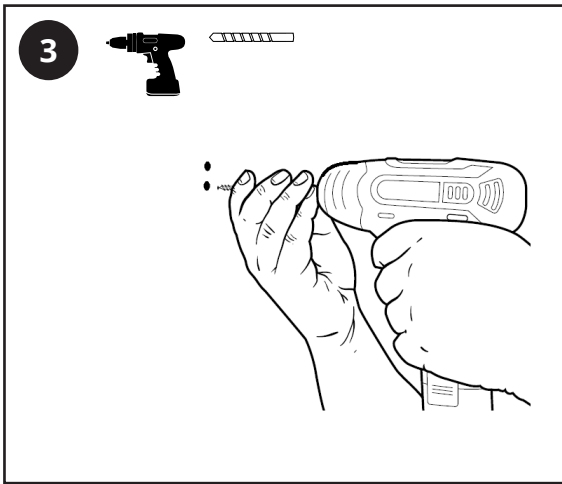
Please pay attention to the safety zones if installing in a bathroom.

This product must not be located immediately below a socket outlet.

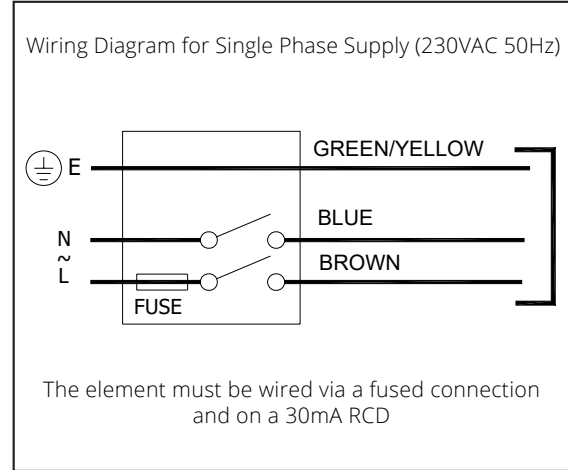
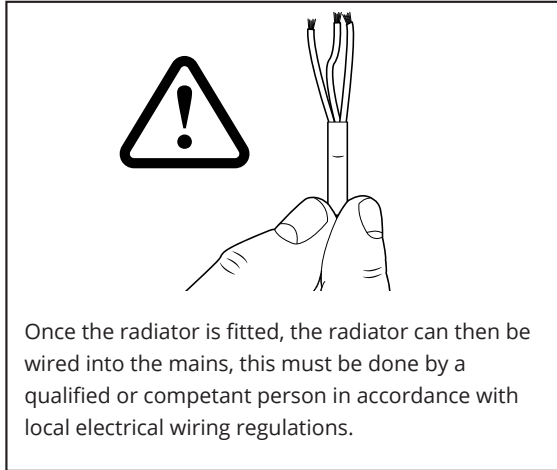
## Installation

Your Radiator is supplied with x4 fixing brackets. They are specifically designed as 2 for the top of the unit and 2 with locking screws for the bottom of the radiator, as shown below.





# Electrical Connection



## Product Specification

Item Number	H	W	Wattage	Input Voltage	Warranty	IP Rating	Insulation Class	Fitted Cable
DRDH178236A	1780	236	600W	230VAC~50Hz	2 Year	IP20	Class 1	1.5 Meter
DRDH178236W	1780	236	600W	230VAC~50Hz	2 Year	IP20	Class 1	1.5 Meter
DRDH178236DA	1780	236	1200W	230VAC~50Hz	2 Year	IP20	Class 1	1.5 Meter
DRDH178236DW	1780	236	1200W	230VAC~50Hz	2 Year	IP20	Class 1	1.5 Meter
DRDH178354A	1780	354	900W	230VAC~50Hz	2 Year	IP20	Class 1	1.5 Meter
DRDH178354W	1780	354	900W	230VAC~50Hz	2 Year	IP20	Class 1	1.5 Meter
DRDH178354DA	1780	354	1700W	230VAC~50Hz	2 Year	IP20	Class 1	1.5 Meter
DRDH178354DW	1780	354	1700W	230VAC~50Hz	2 Year	IP20	Class 1	1.5 Meter
DRDH178472A	1780	472	1200W	230VAC~50Hz	2 Year	IP20	Class 1	1.5 Meter
DRDH178472W	1780	472	1200W	230VAC~50Hz	2 Year	IP20	Class 1	1.5 Meter
DRDH178472DA	1780	472	2300W	230VAC~50Hz	2 Year	IP20	Class 1	1.5 Meter
DRDH178472DW	1780	472	2300W	230VAC~50Hz	2 Year	IP20	Class 1	1.5 Meter
DRDH178590A	1780	590	1500W	230VAC~50Hz	2 Year	IP20	Class 1	1.5 Meter
DRDH178590W	1780	590	1500W	230VAC~50Hz	2 Year	IP20	Class 1	1.5 Meter
DRDH178590DA	1780	590	3000W	230VAC~50Hz	2 Year	IP20	Class 1	1.5 Meter
DRDH178590DW	1780	590	3000W	230VAC~50Hz	2 Year	IP20	Class 1	1.5 Meter



**Do not  
cover  
Risk of overheating**



Manufacturer



Consult  
Instructions  
For Use

## Your Guarantee

This product is covered by a 2 year guarantee.

The guarantee starts from the date of purchase.

The guarantee covers you against issues caused as a result of manufacturing related issues, it does not apply to issues that are found to be a result of poor installation.

Labour costs for for installation of the products are not covered under this warranty.

## Aftercare

Clean any marks with a soft, dry or damp cloth, for stubborn stains please clean with mild soapy water and dry with a soft cloth. DO NOT use abrasive or acidic cleaners.

If you are unsure, please contact us first.

## Recycling and Disposal

Please recycle the packaging in accordance with your local government regulations on waste handling and follow the same advice at the end of the products life.

Product - Aluminium.

Packaging - Cardboard, plastic.

## Contact us

Unit 1 & 2 Dawson Ct

Burnley

Lancashire

BB11 5UB