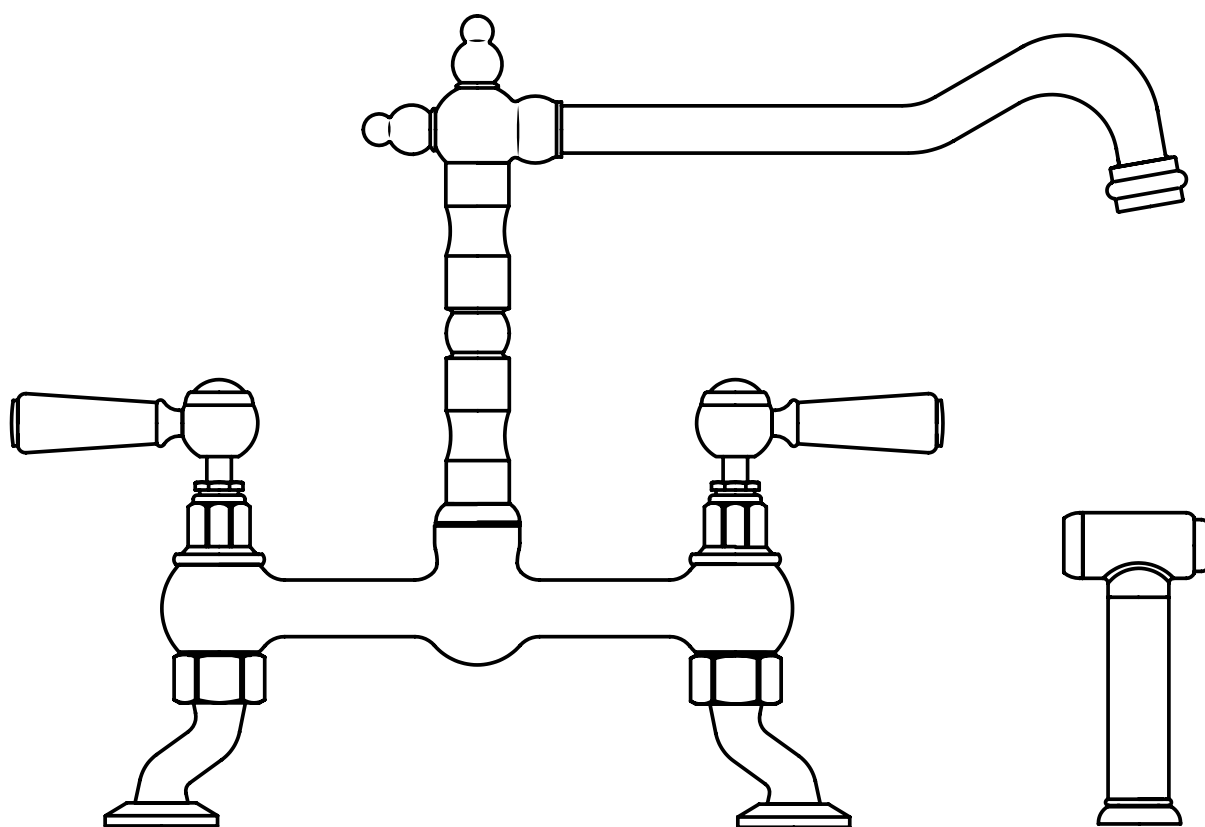


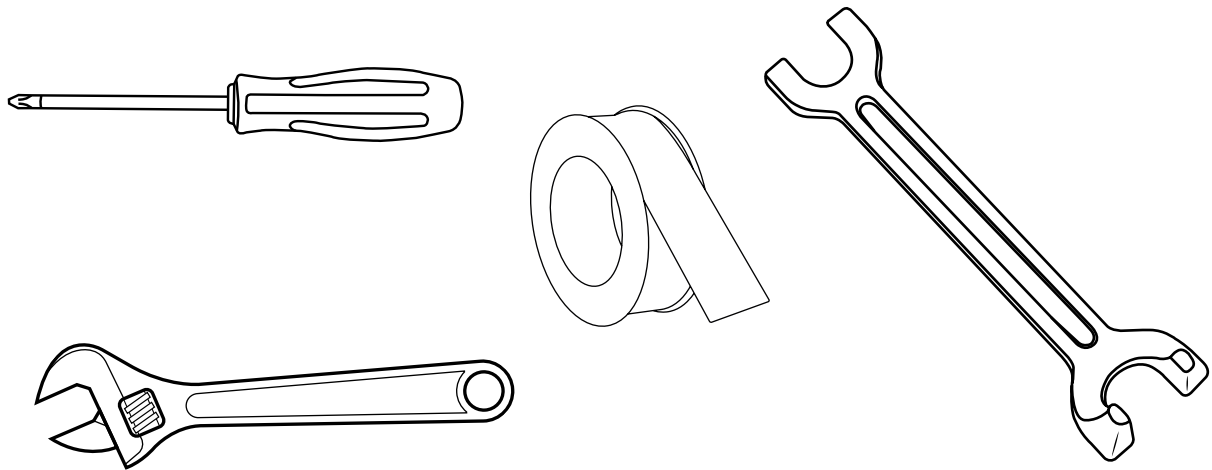
Kitchen Tap



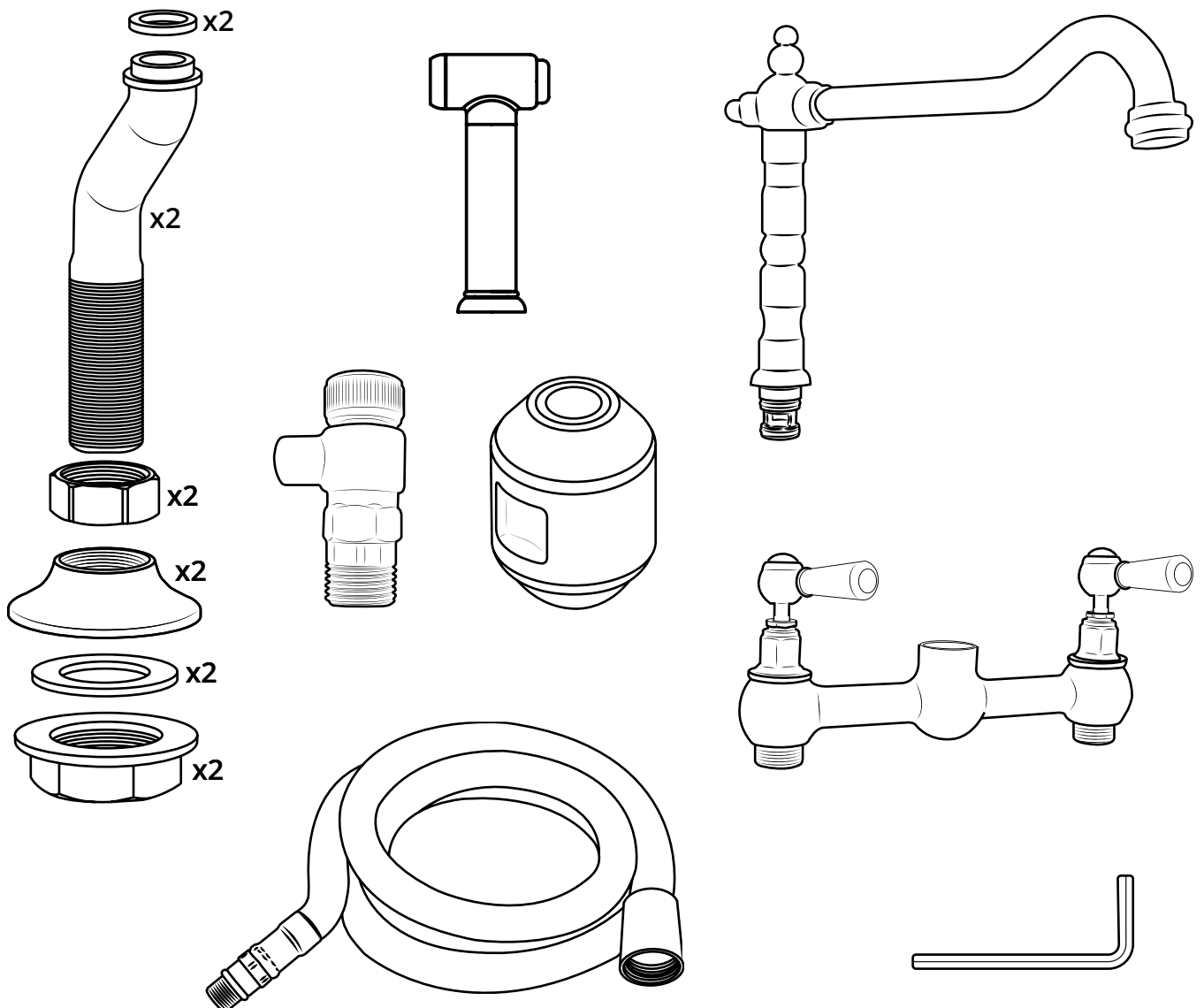
Installation Guide

Installation

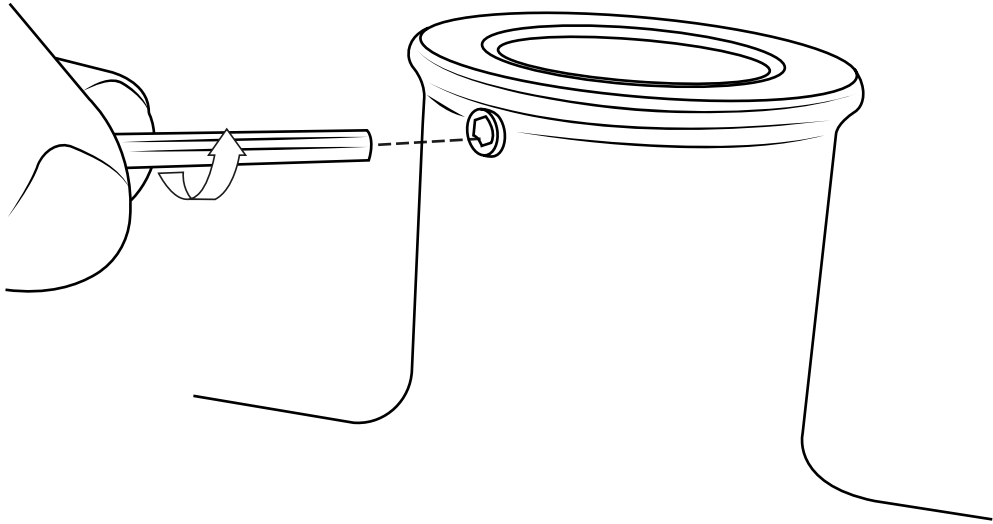
Tools required for installing:



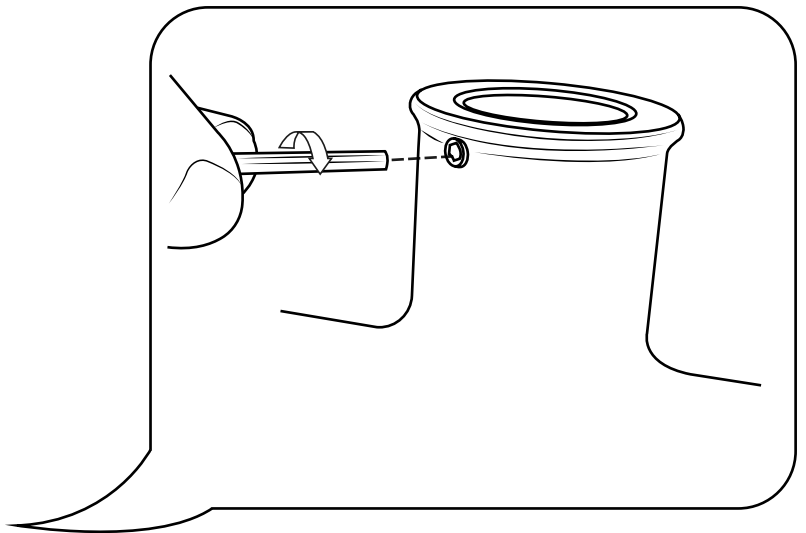
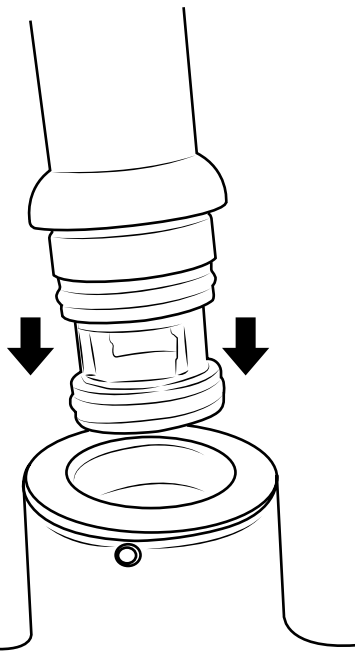
Parts included:



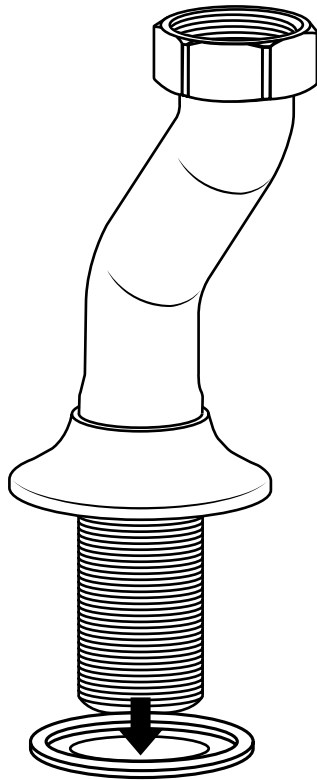
1



2

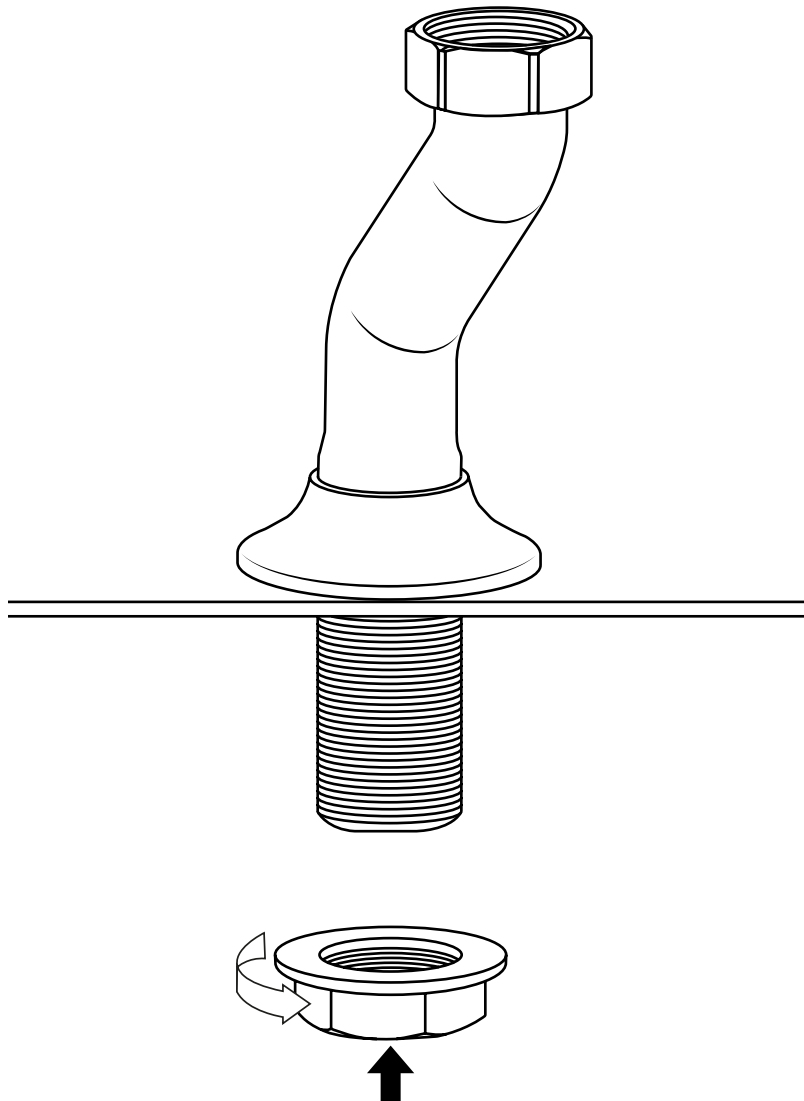


3

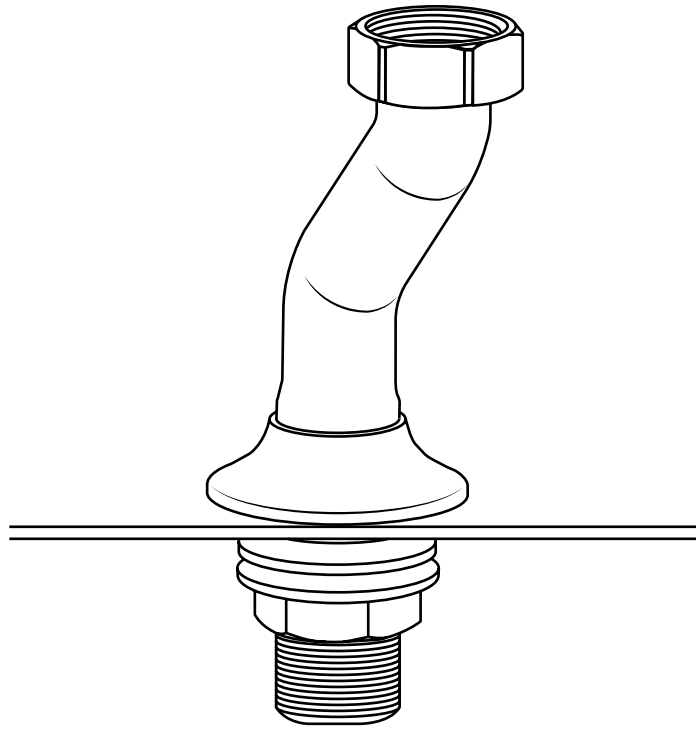


Remember to install the 'O' ring or washer between the mixer body & worktop

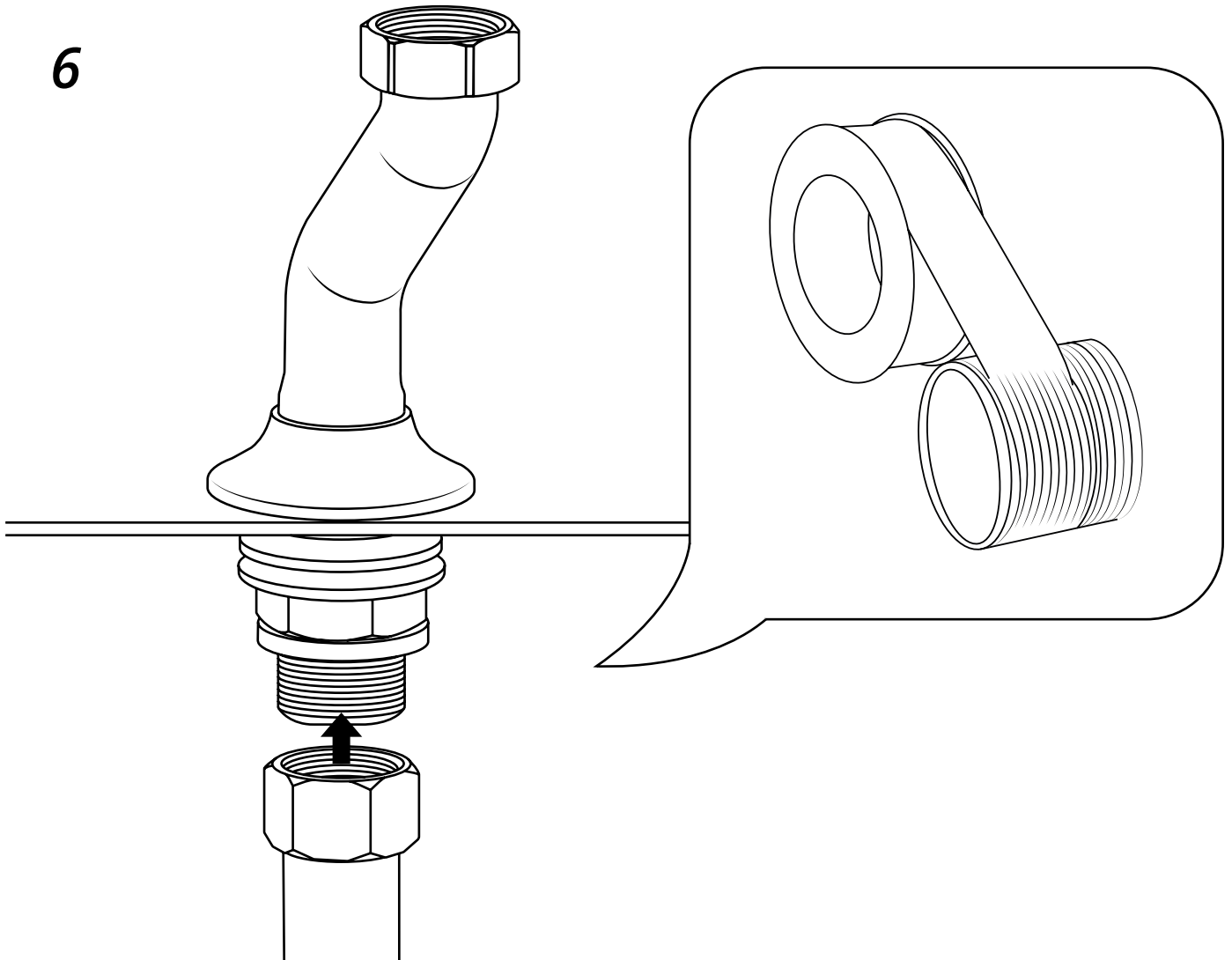
4



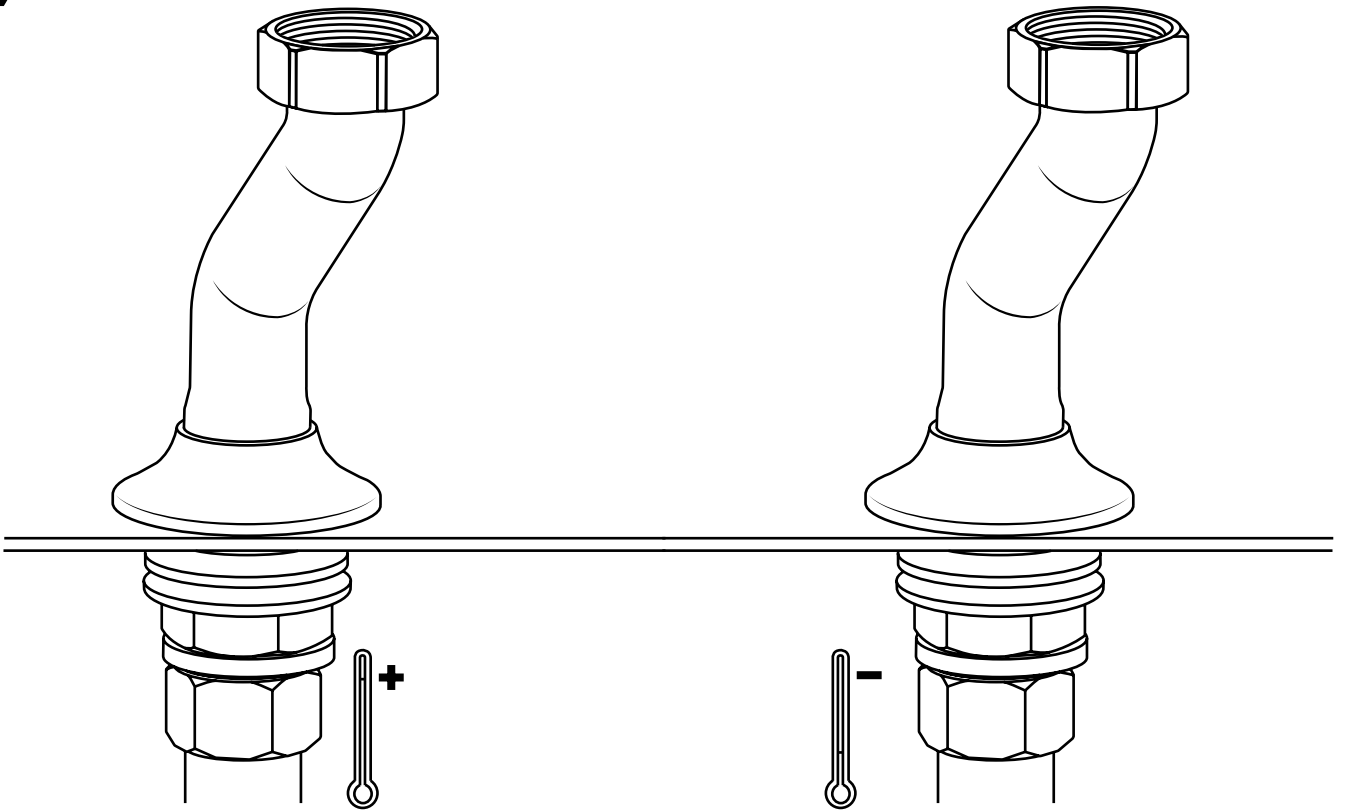
5



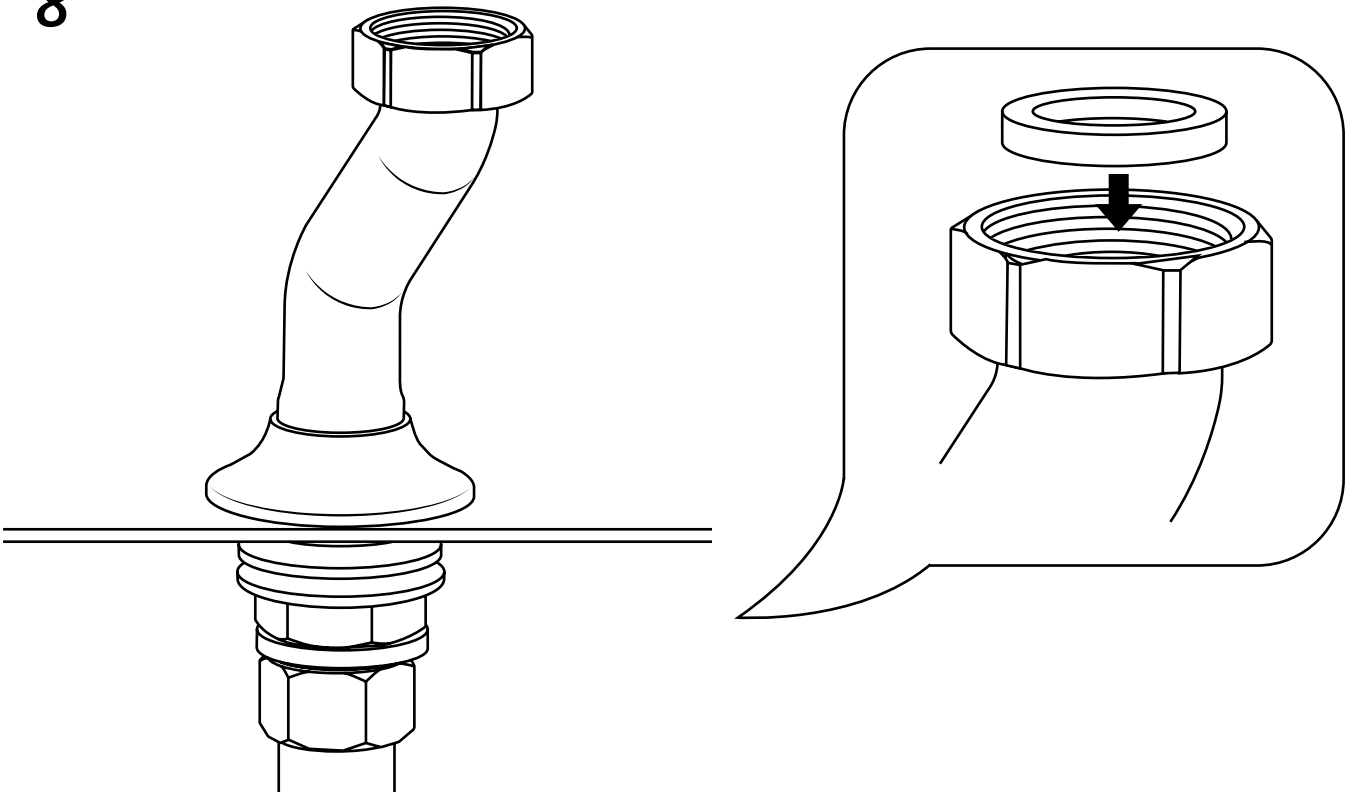
6



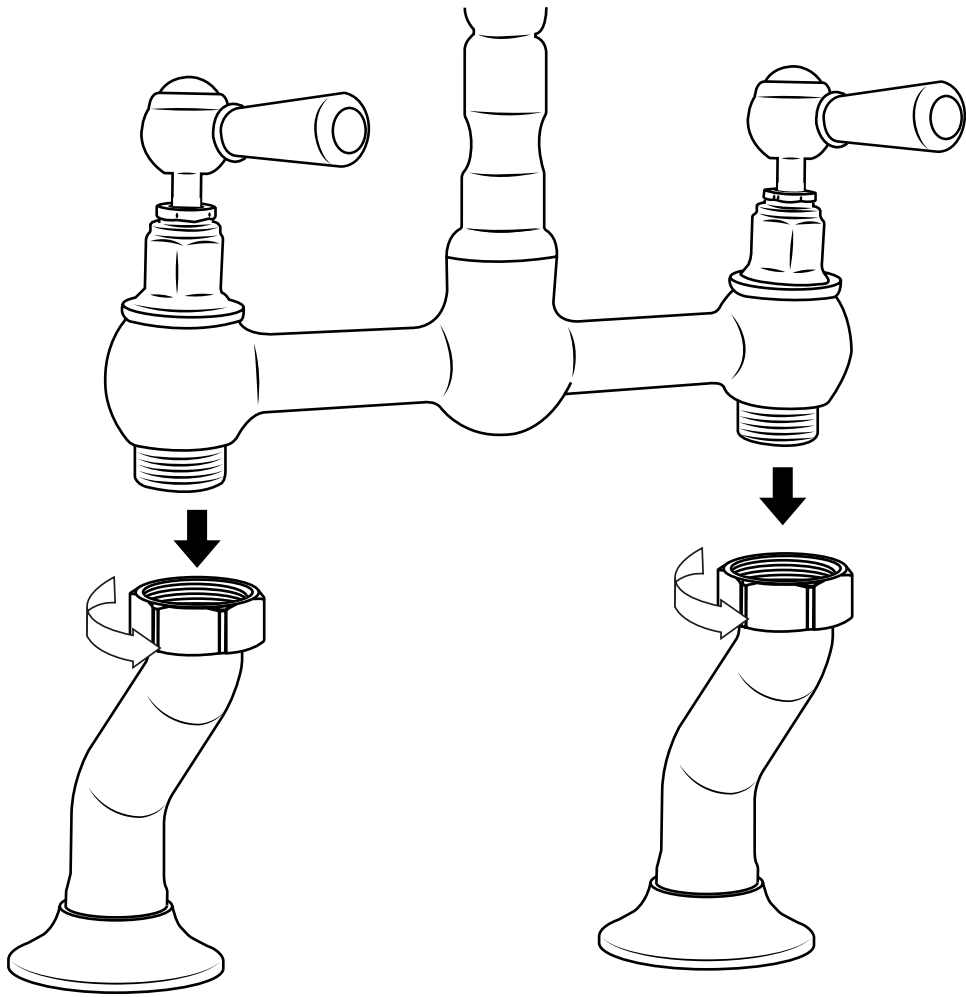
7



8



9



10

