

Windsor Electric Radiator

Installation Guide

Contents

General Information **Page - 2**

Installation **Page - 2/3/4**

Additional Accessories **Page - 5**

Aftercare **Page - 6**

Your Guarantee **Page - 6**

General Information

Please read carefully...

- ✓ Please read the element installation manual carefully before installing.
- ✗ Do not throw away packaging until you have located and confirmed that you have all included parts.
- ✓ This radiator must be installed by a qualified plumber or other fully competent person.
- ✓ For your own protection we recommend that you wear safety boots and gloves.
- ✓ Inspect the finish on the product for signs of damage before installation.
- ✓ The provided fixings are for solid brick walls only, if installing on any other surface please check that it will safely support the product and purchase suitable fixings.



Installation

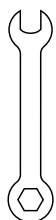
Parts Included:

Windsor Radiator x1

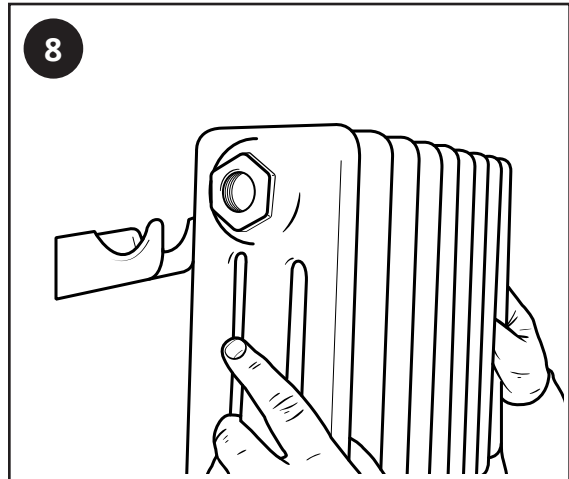
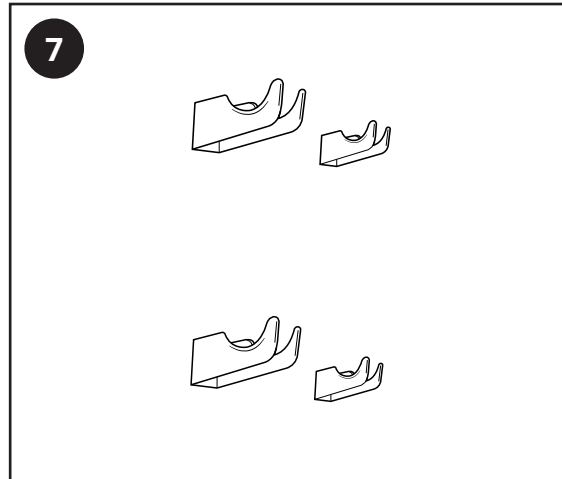
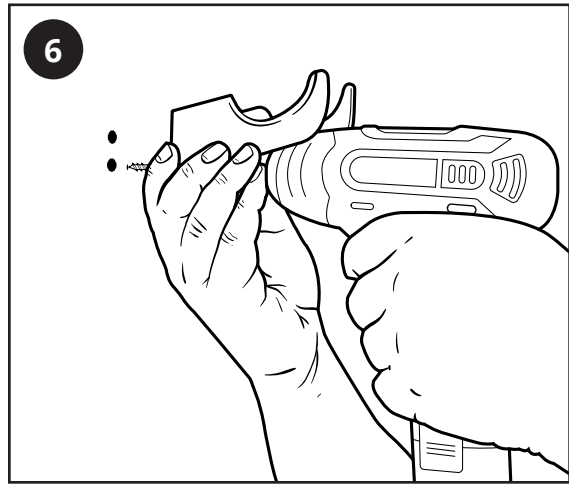
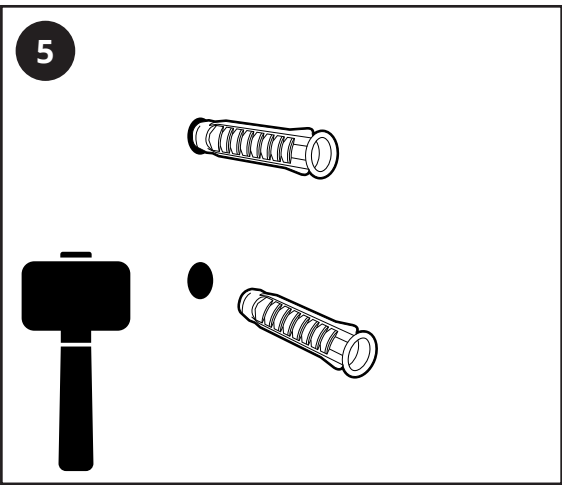
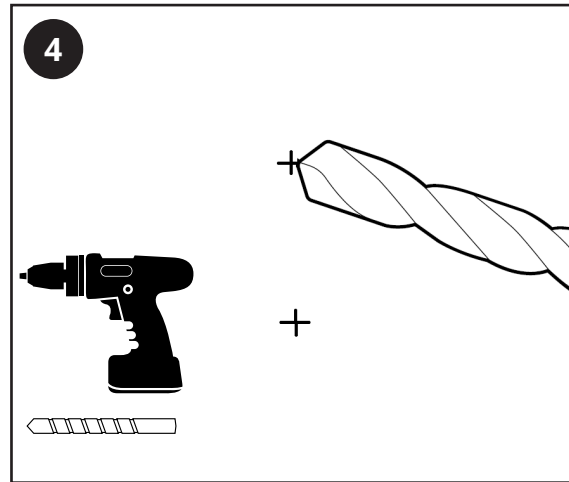
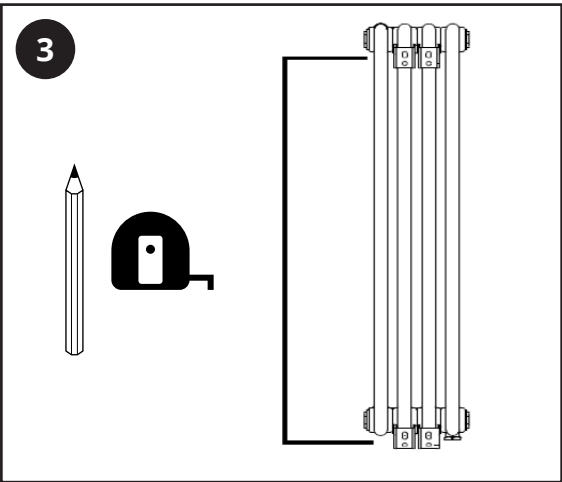
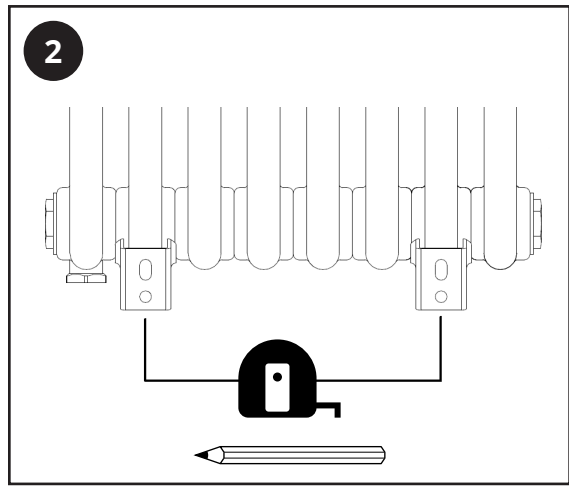
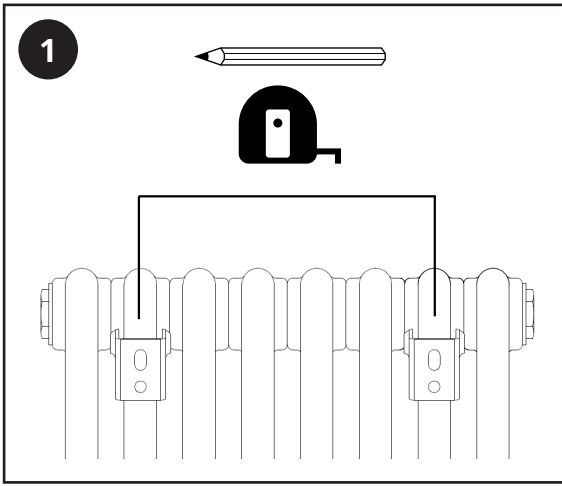
Fixing brackets x 4

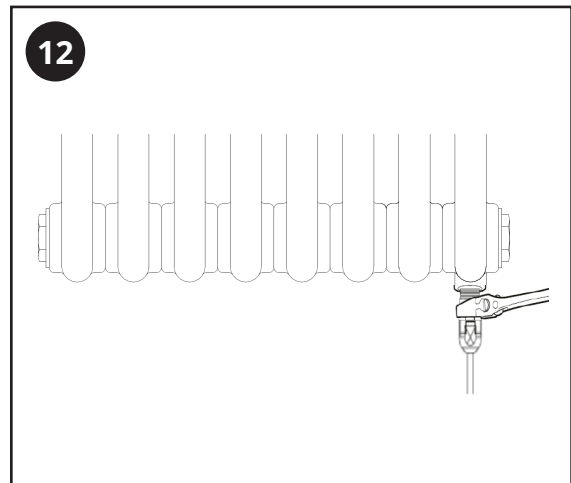
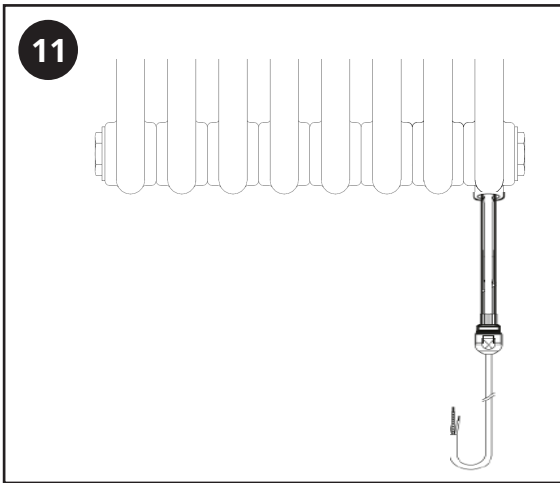
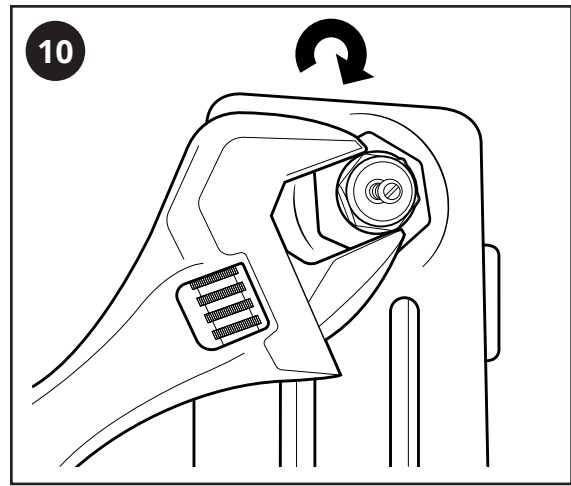
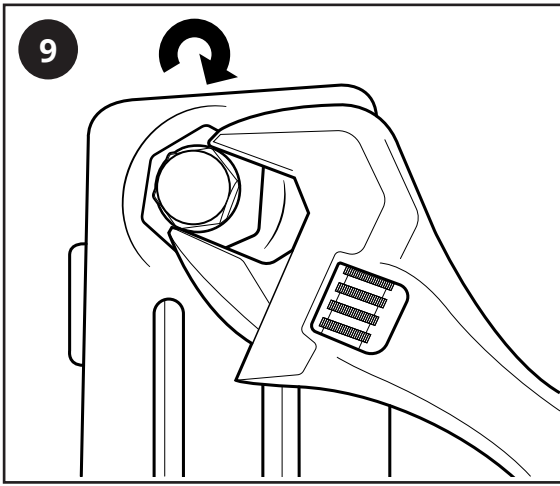
Screws and wall plugs x 8

Tools required for installing:




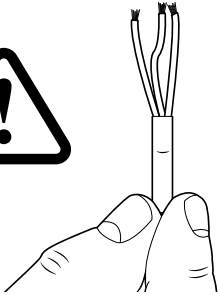
10mm





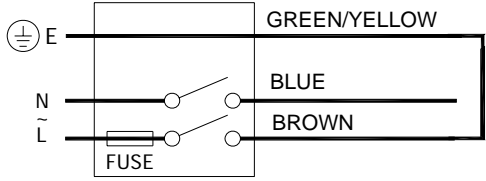
13

- a. Brown wire — live connection to the circuit (L).
- b. Blue wire — connect to neutral (N)
- c. Yellow & green wire — earth connection (PE).

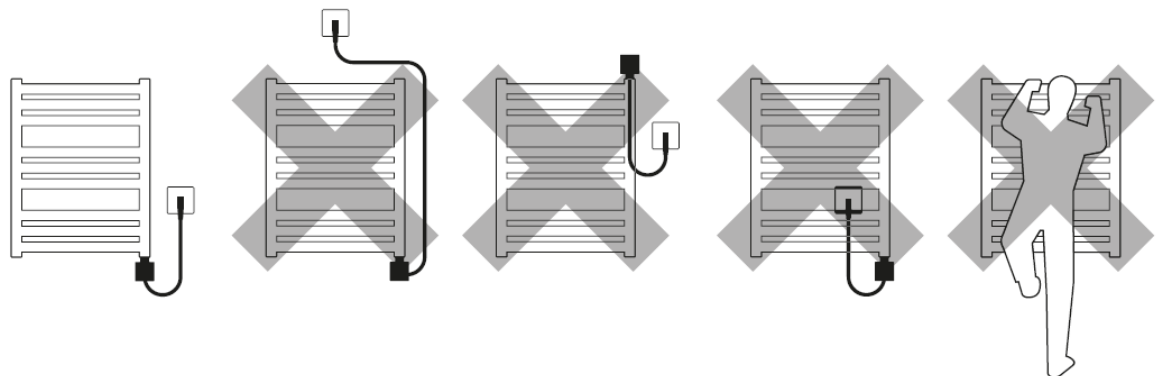



14

Wiring Diagram for Single Phase Supply (230VAC 50Hz)

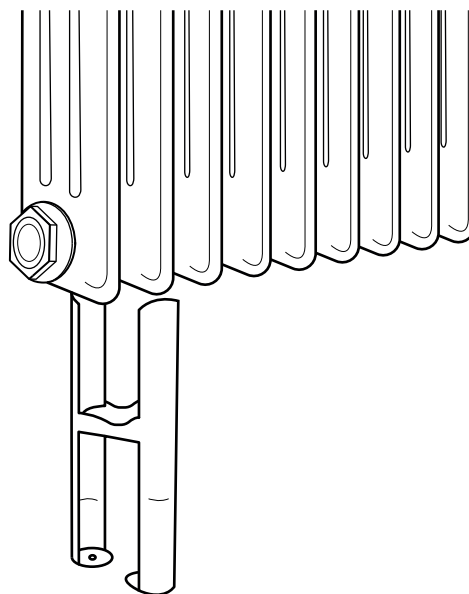
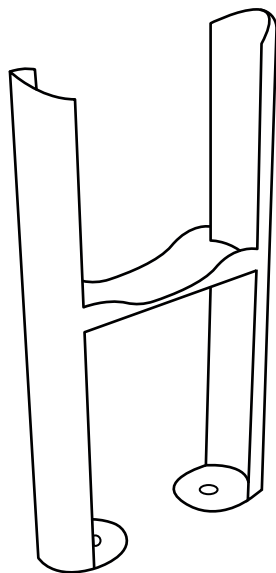


The element must be wired via a fused connection and on a 30mA RCD



Additional Accessories

Windsor floor mounting kit*



* If required, contact us to confirm the size required for your radiator.

TRUSHFEE2W

TRUSHFEE3A

TRUSHFEE3W

TRUSHFEE4W

Aftercare

Clean any marks with a soft dry cloth, for stubborn stains please clean with mild soapy water and buff out with a soft cloth. DO NOT use abrasive or acidic cleaners, if you are unsure, please contact us first.

Your Guarantee

- The radiator is covered by a 20 year guarantee.
- The element is covered by a 3 year warranty.
- The guarantee starts from the date of purchase.
- The guarantee covers you against issues caused as a result of manufacturing related issues, it does not apply to issues that are found to be a result of poor installation.
- Labour costs for installation of the product are not covered and the guarantee does not cover you for consequential loss.

Recycling and Disposal

Please recycle the packaging in accordance with your local government regulations on waste handling, and follow the same advice at the end of the products life.

Product - Steel.

Packaging - Cardboard, plastic, steel.

Contact us

LDG

Unit 1&2

Burnley

BB11 5UG