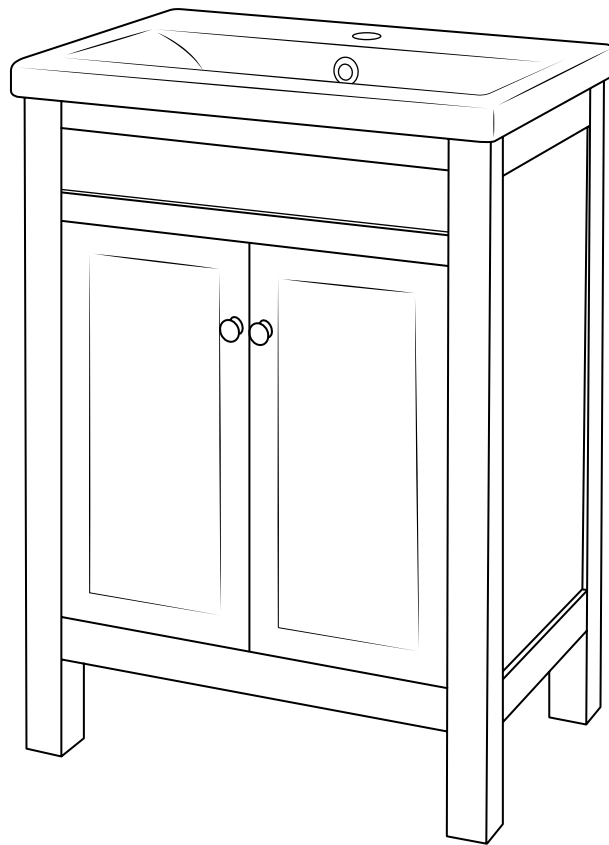


600mm Vanity Unit with Basin

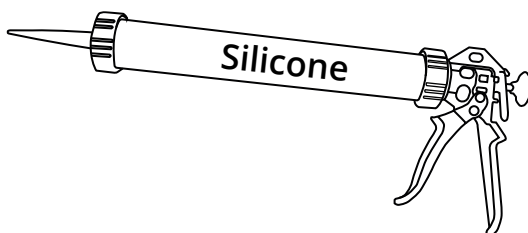
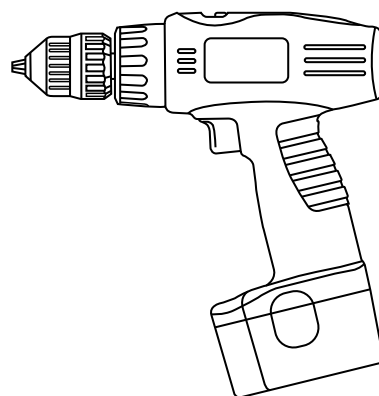
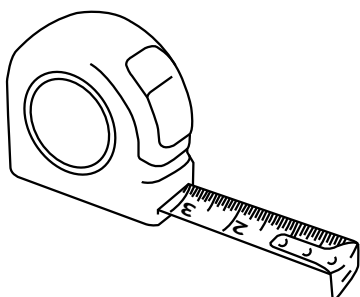
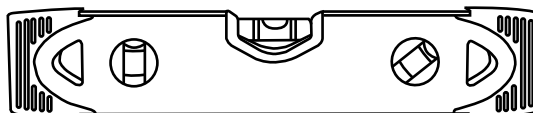
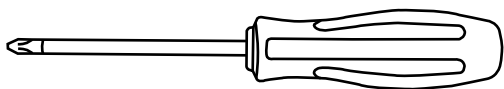


i Style may vary

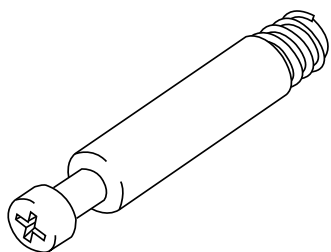
Installation Guide

Installation

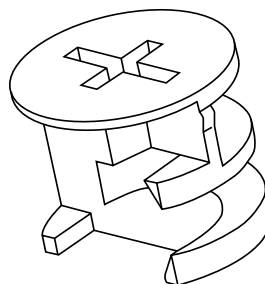
Tools required for installing:



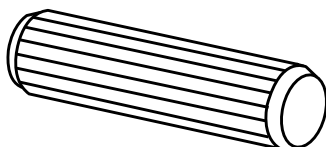
Parts included:



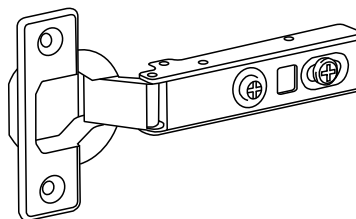
A
x36



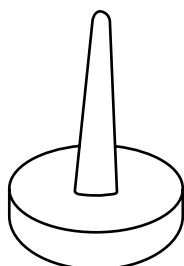
A
x36



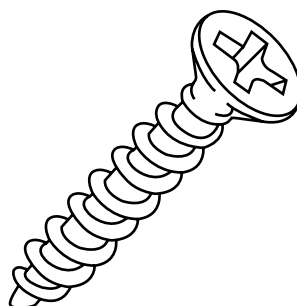
B
x28



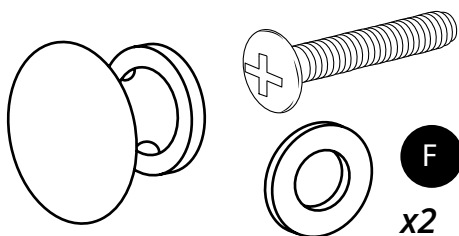
C
x4



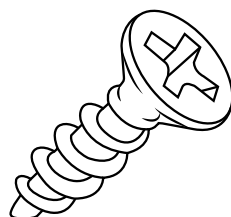
D
x8



E
x6
Ø4 x 35mm

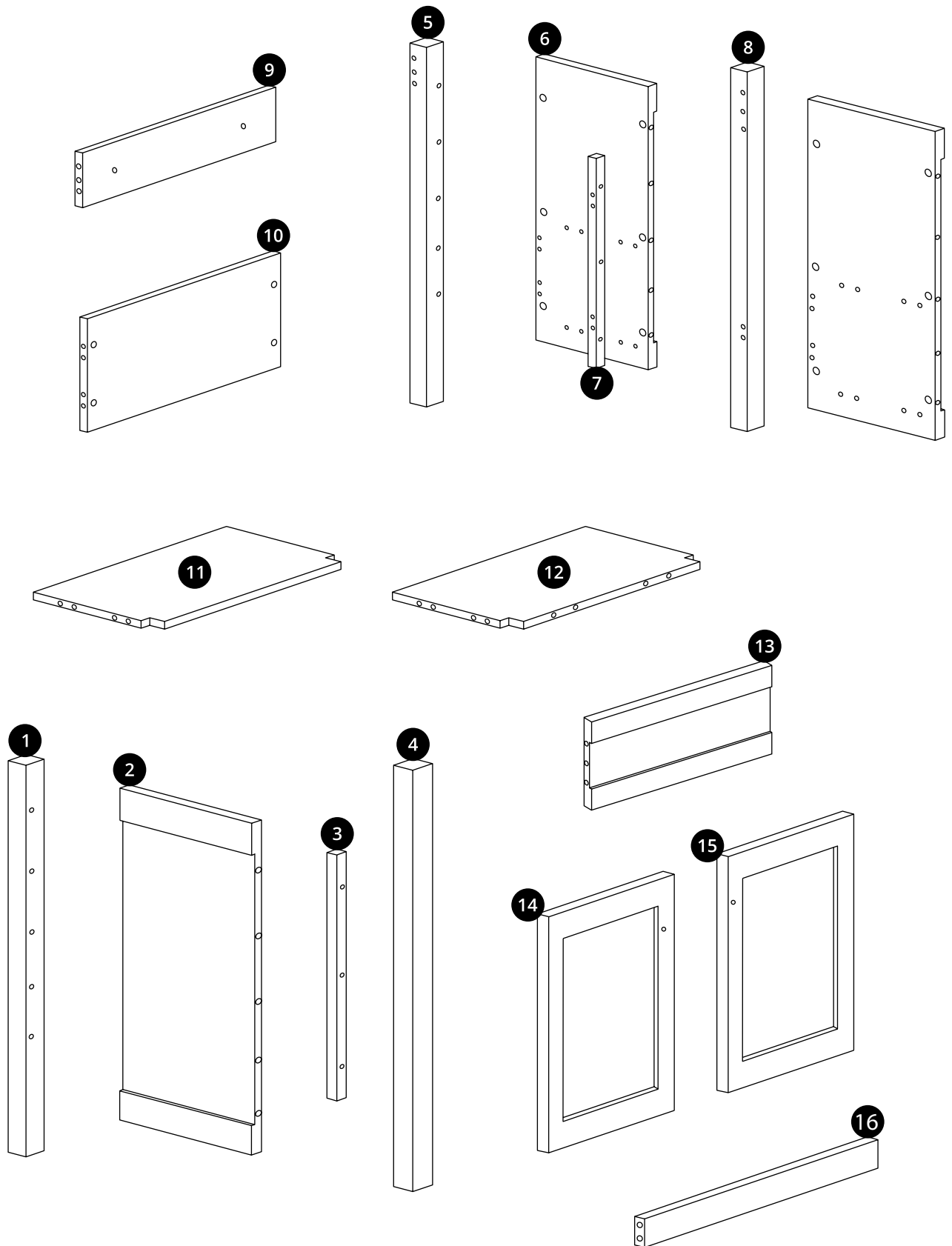


F
x2
Ø4 x 25mm

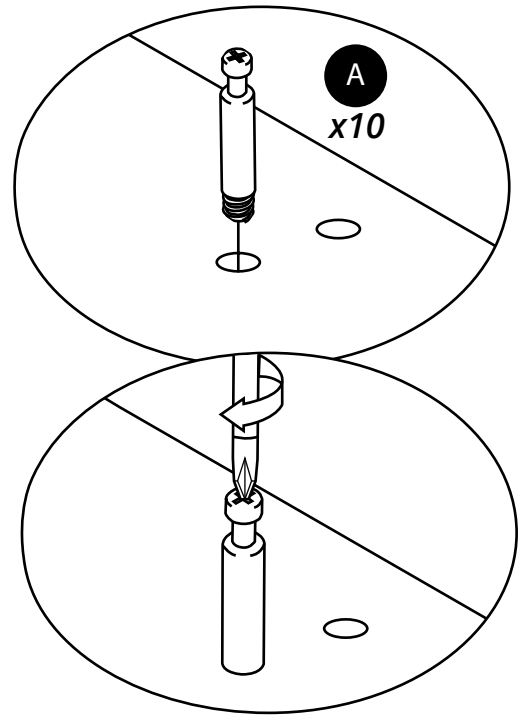
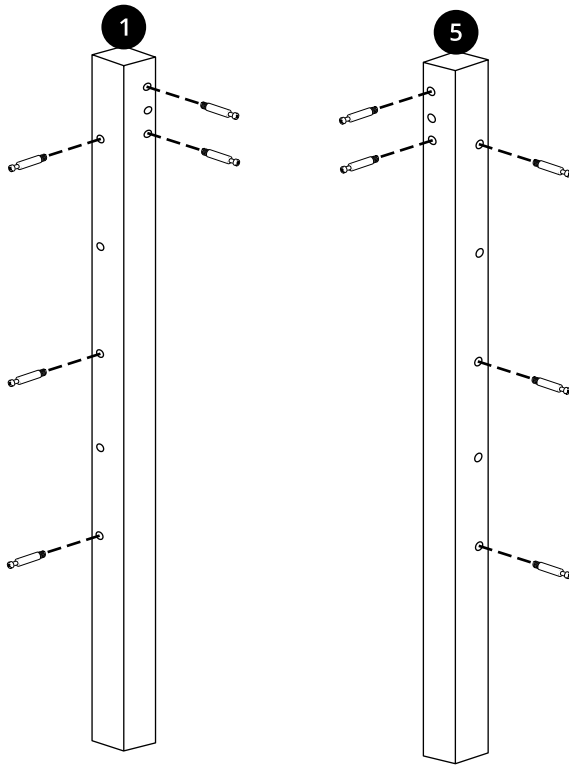


G
x8
Ø4 x 14mm

Parts included:

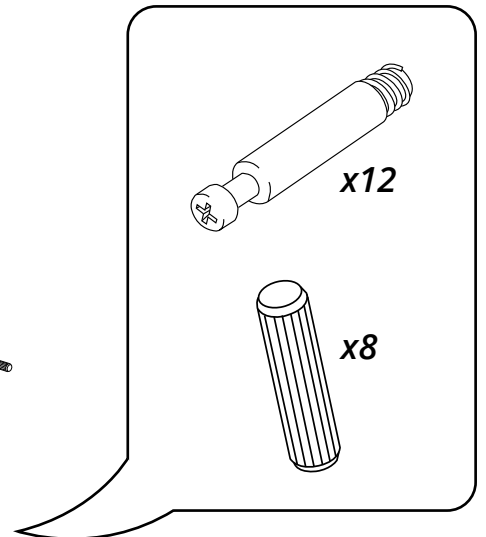
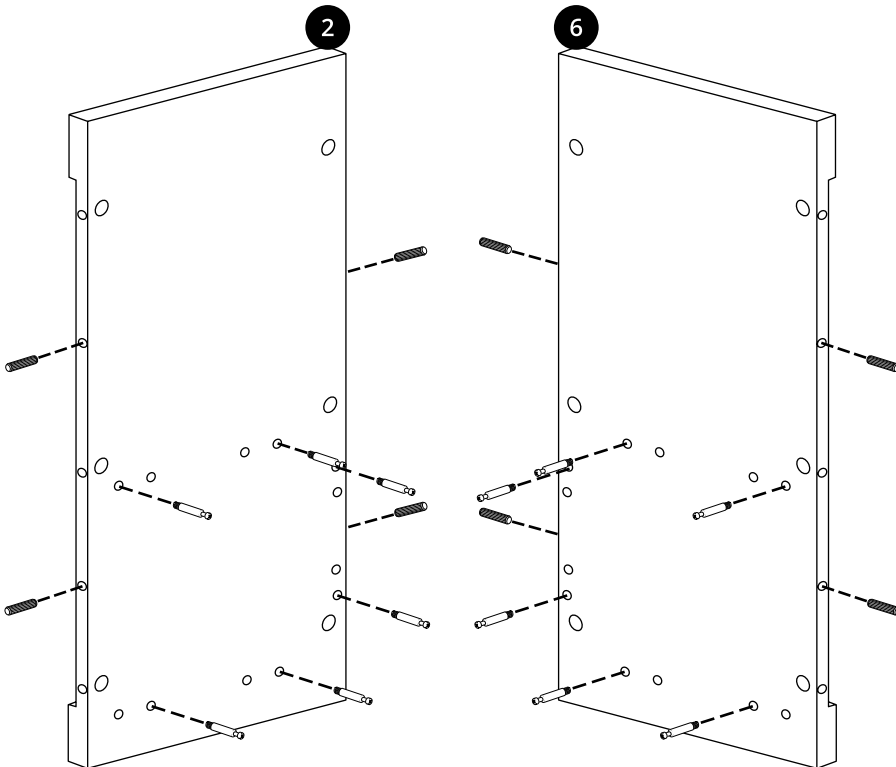


1



A
x10

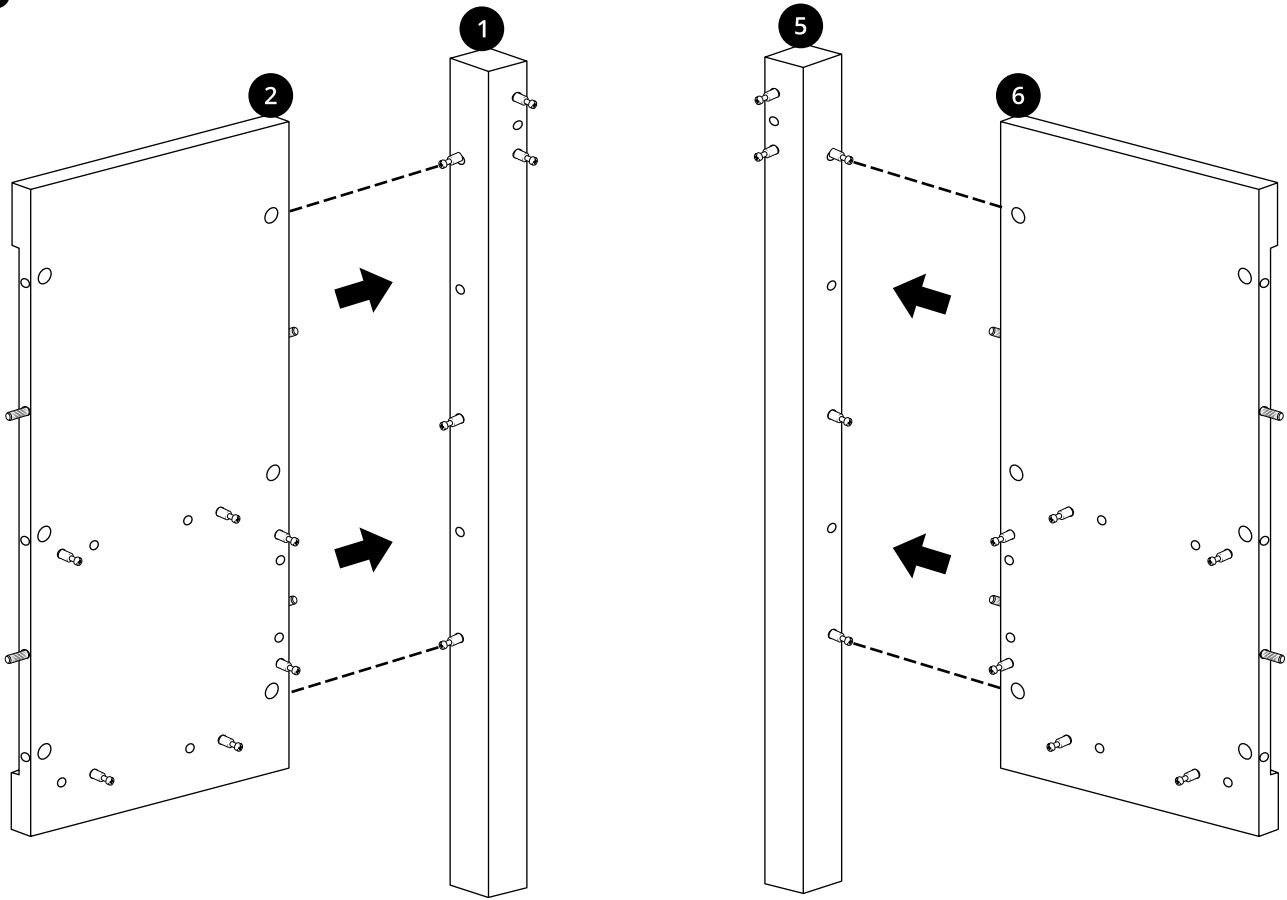
2



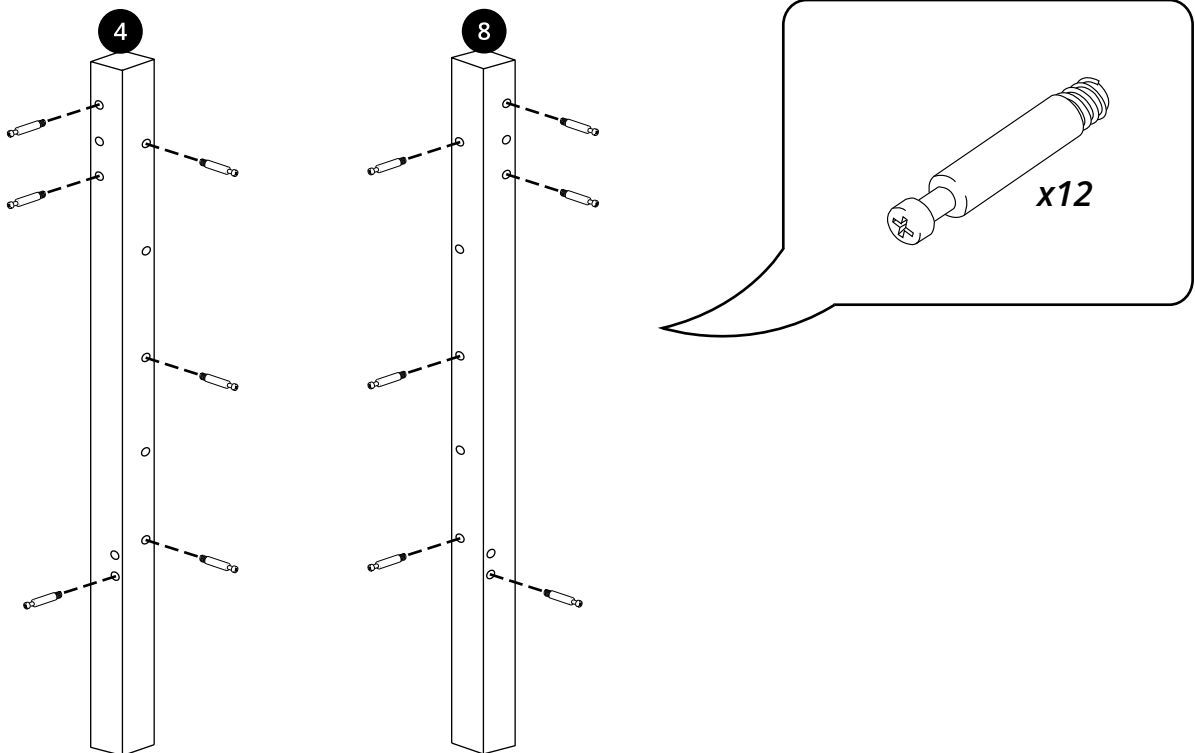
x12

x8

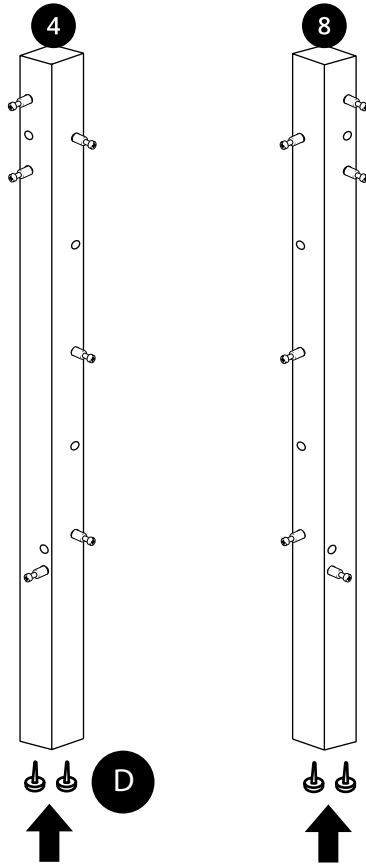
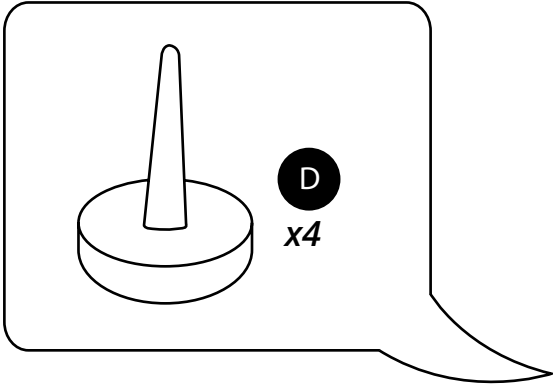
3



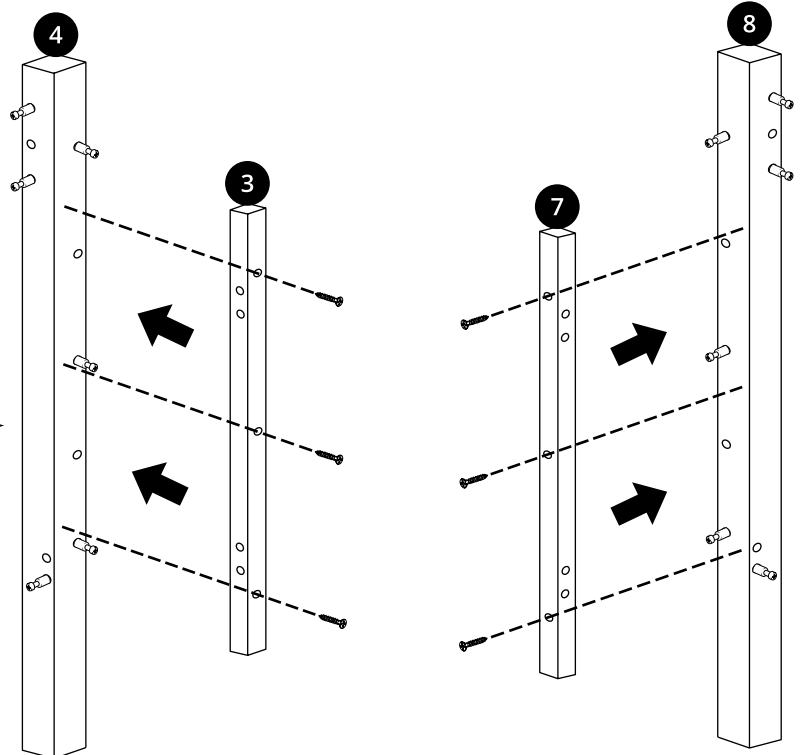
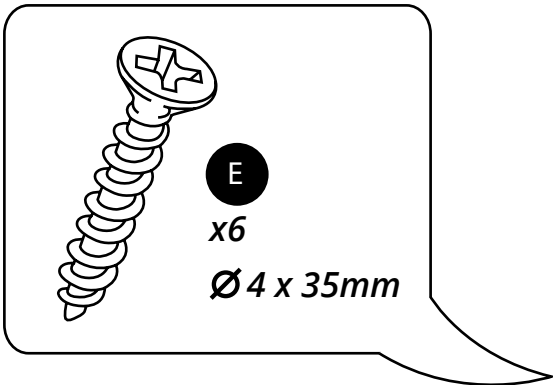
4



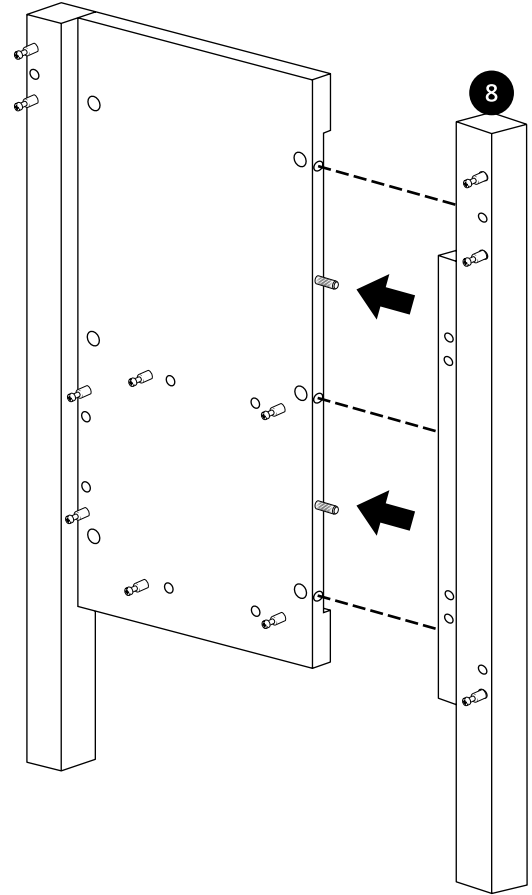
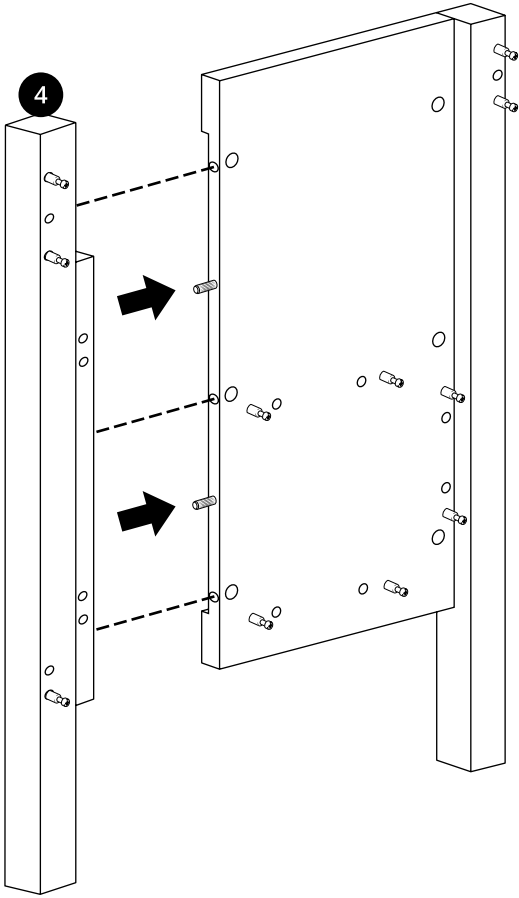
5



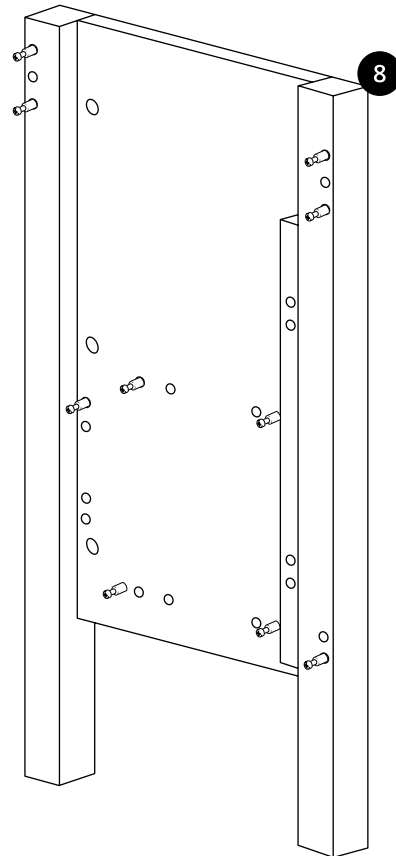
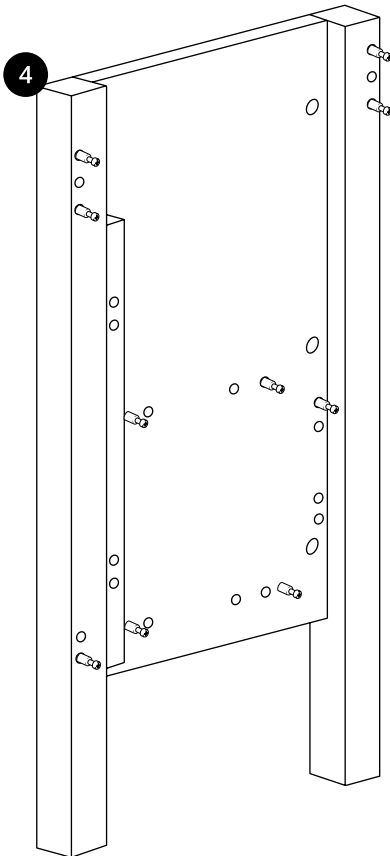
6



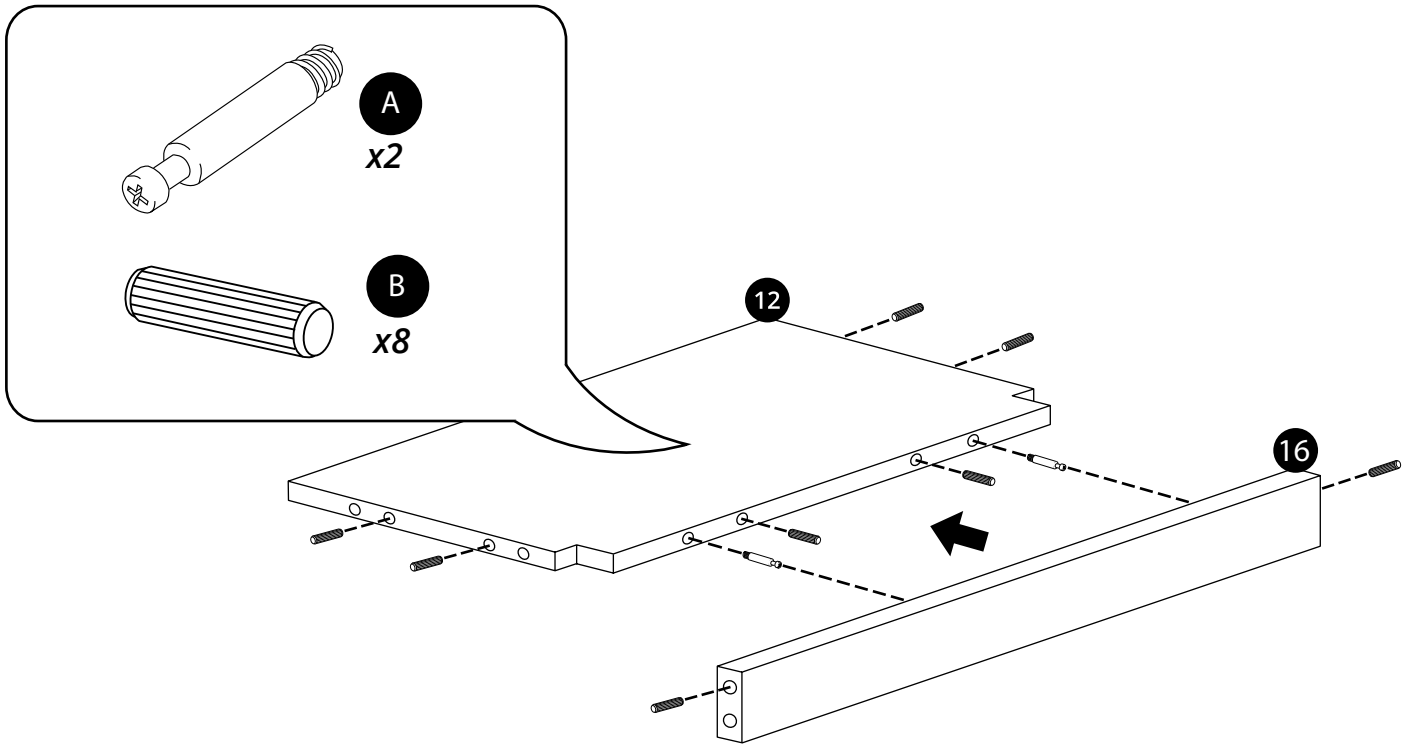
7



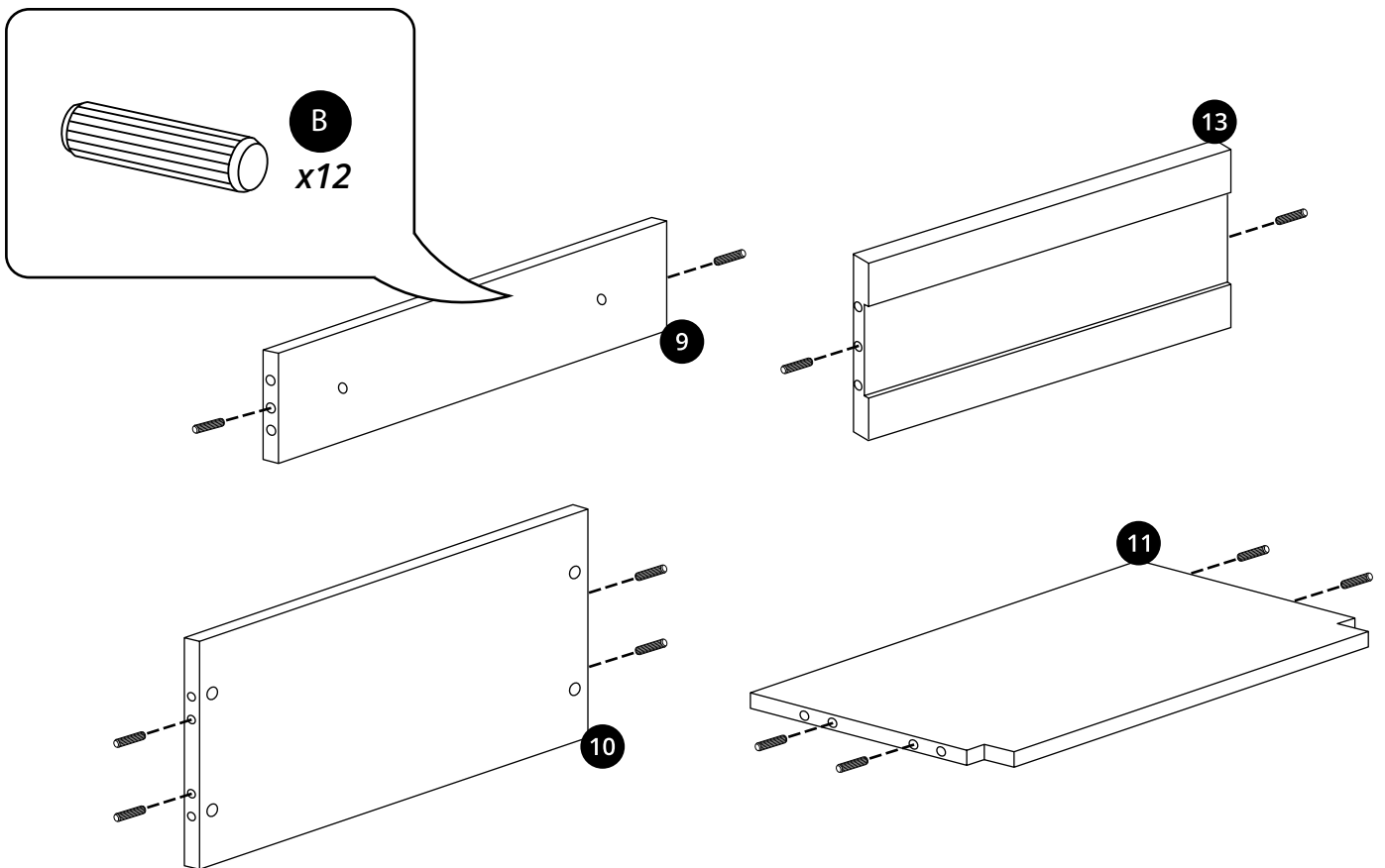
8



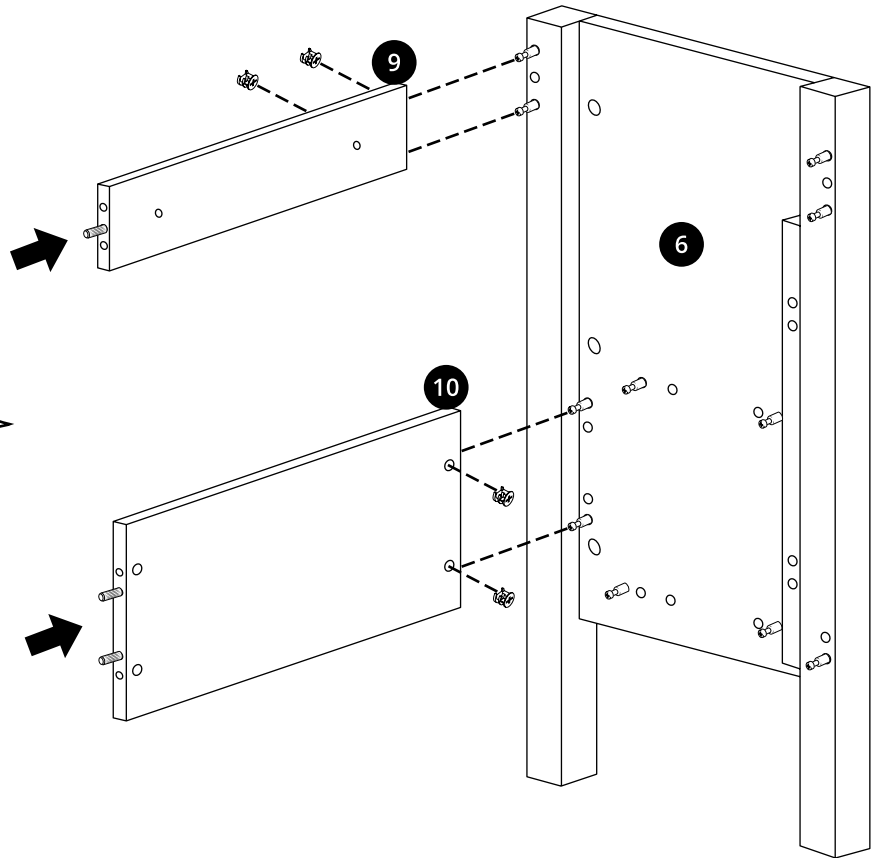
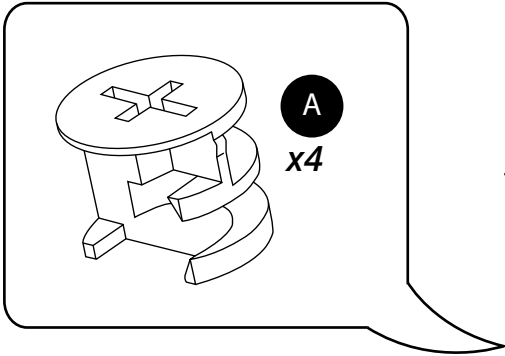
9



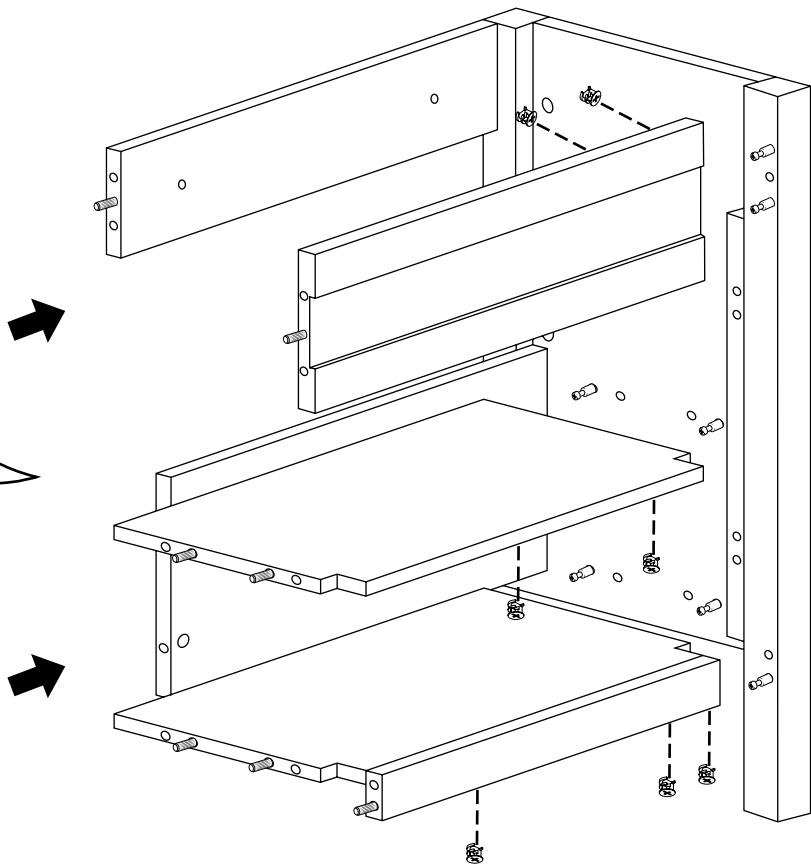
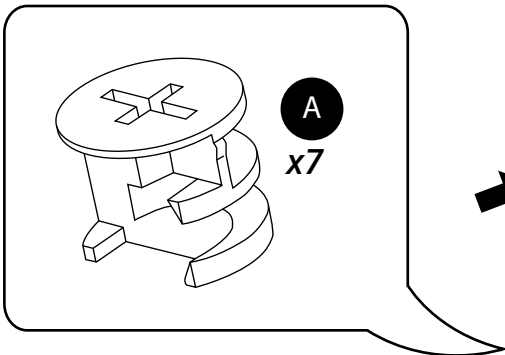
10



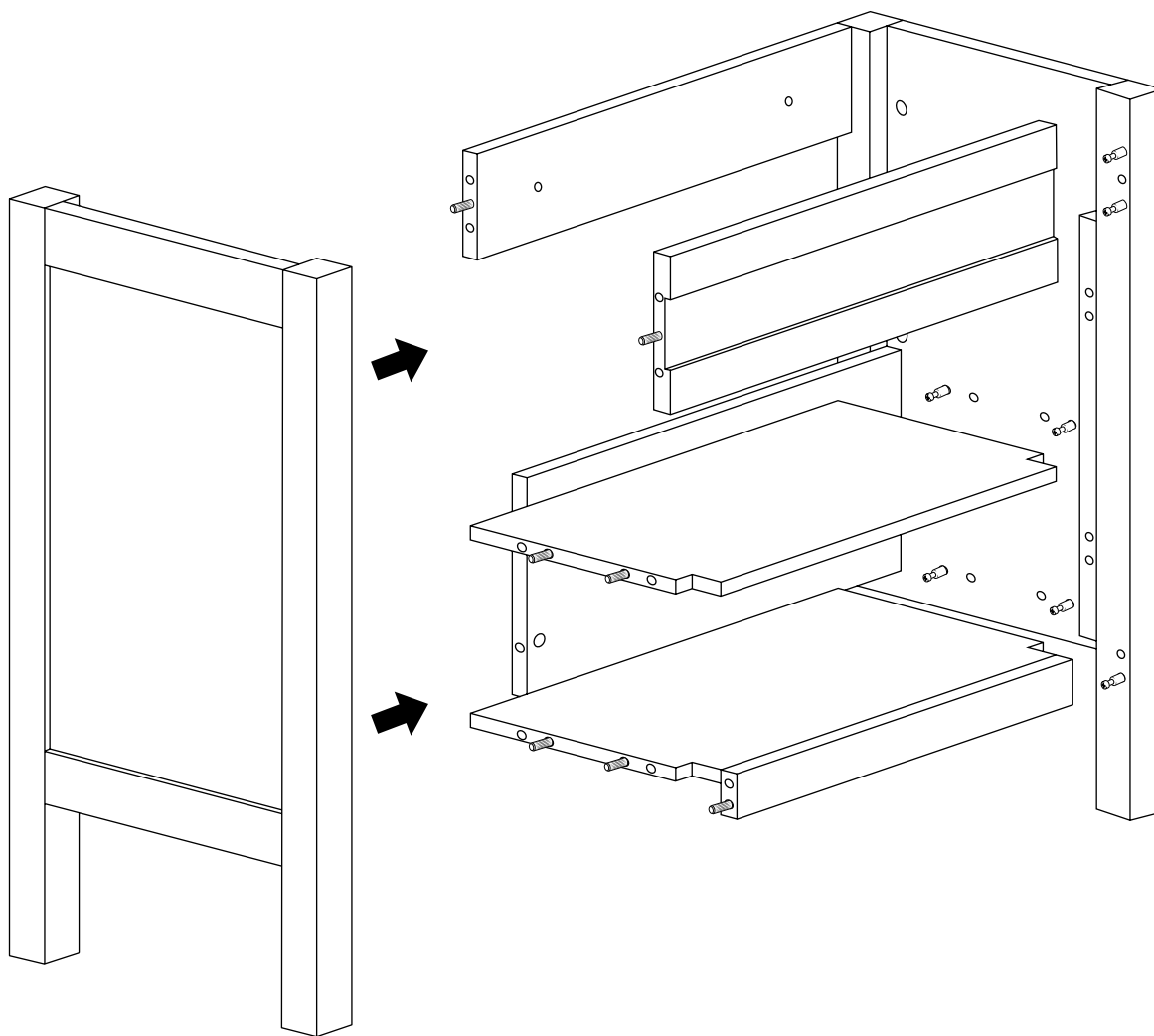
11



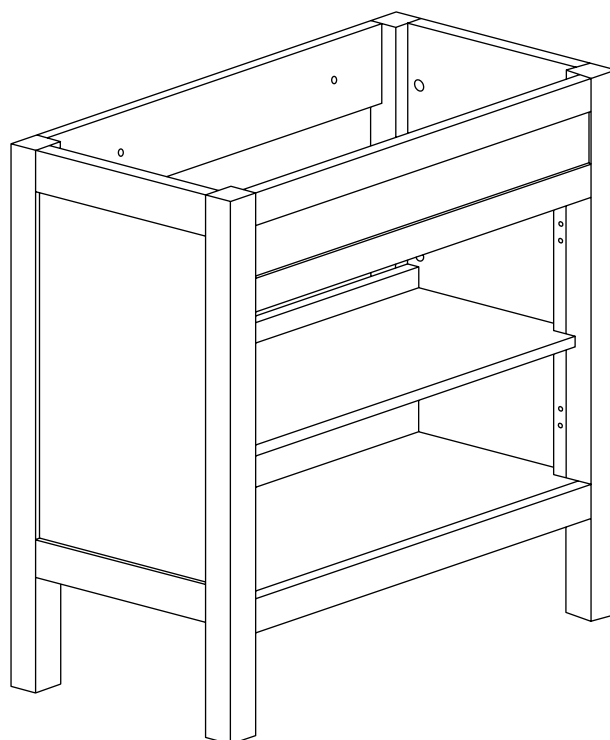
12



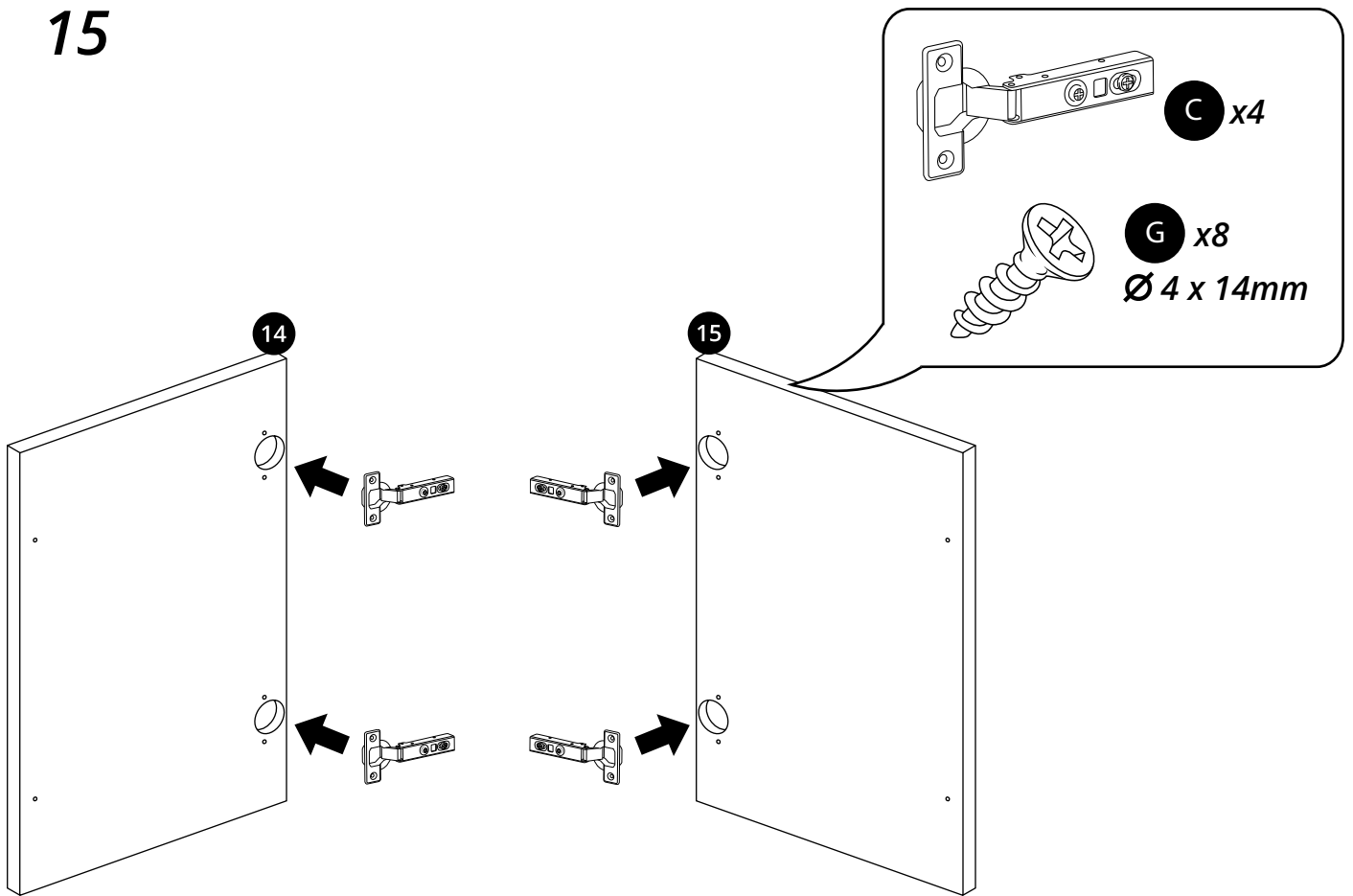
13



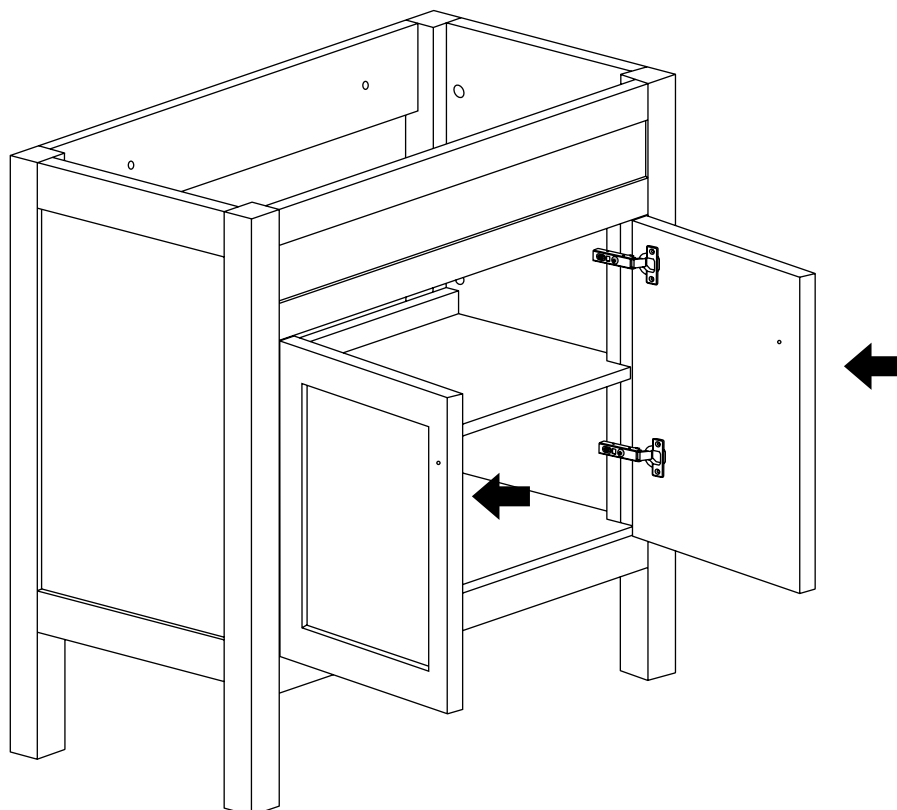
14



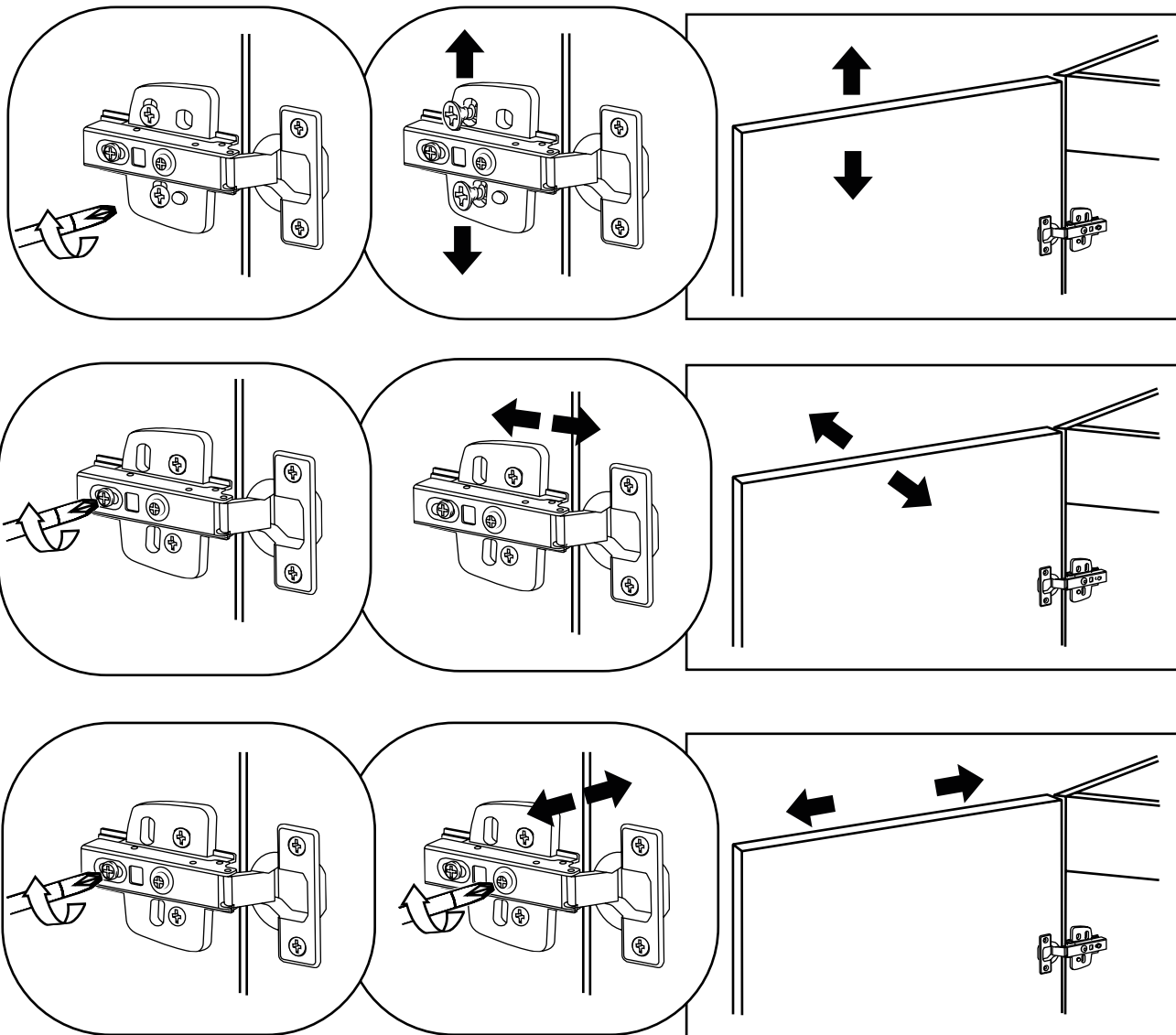
15



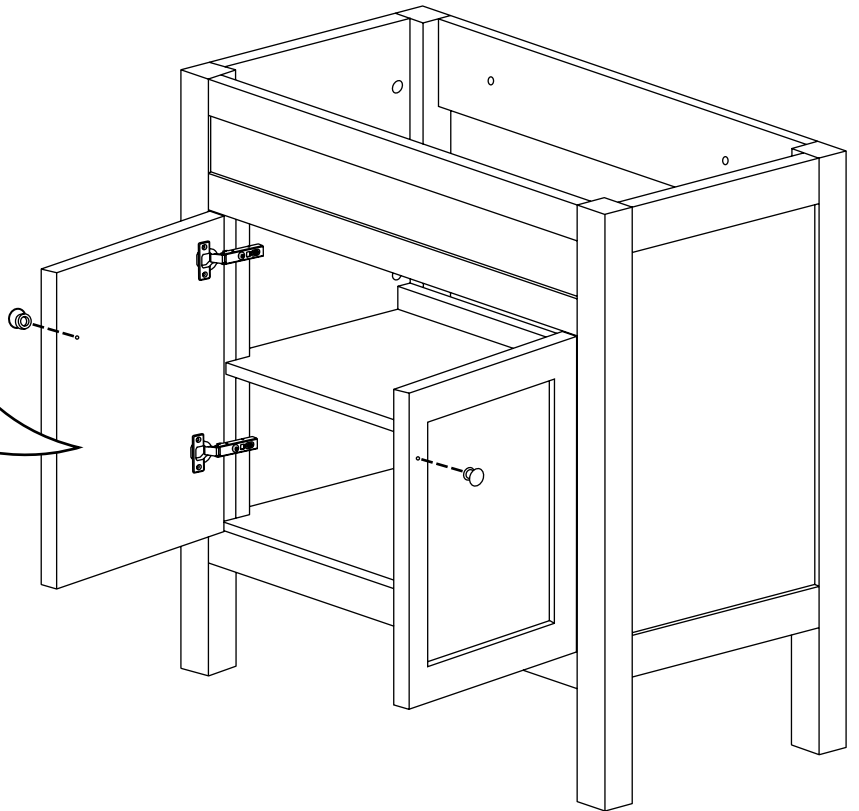
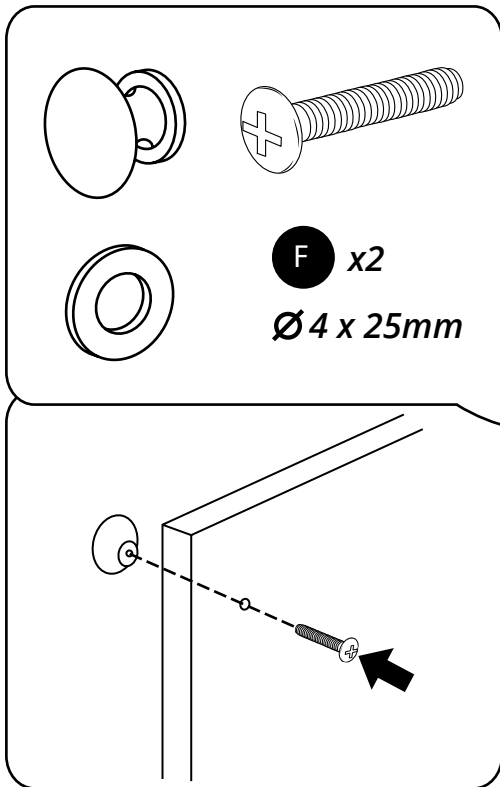
16



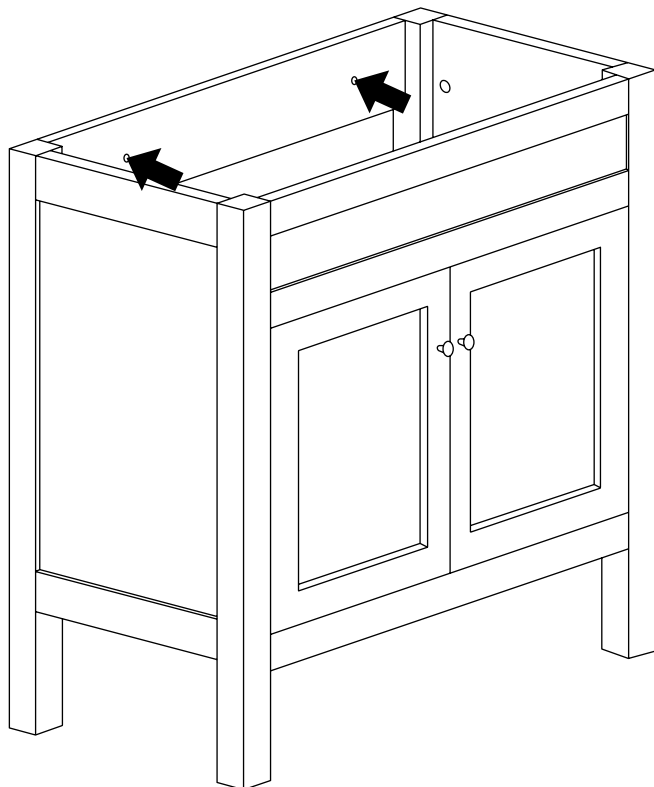
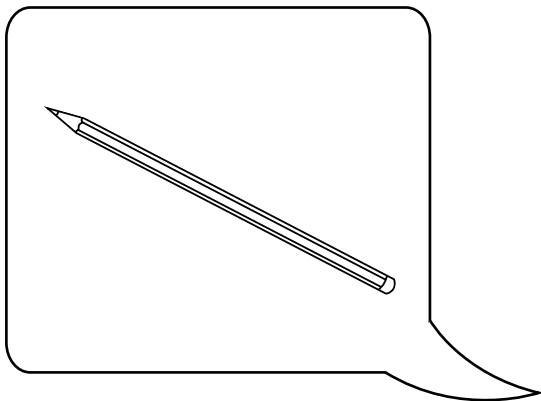
Hinge Adjustments:



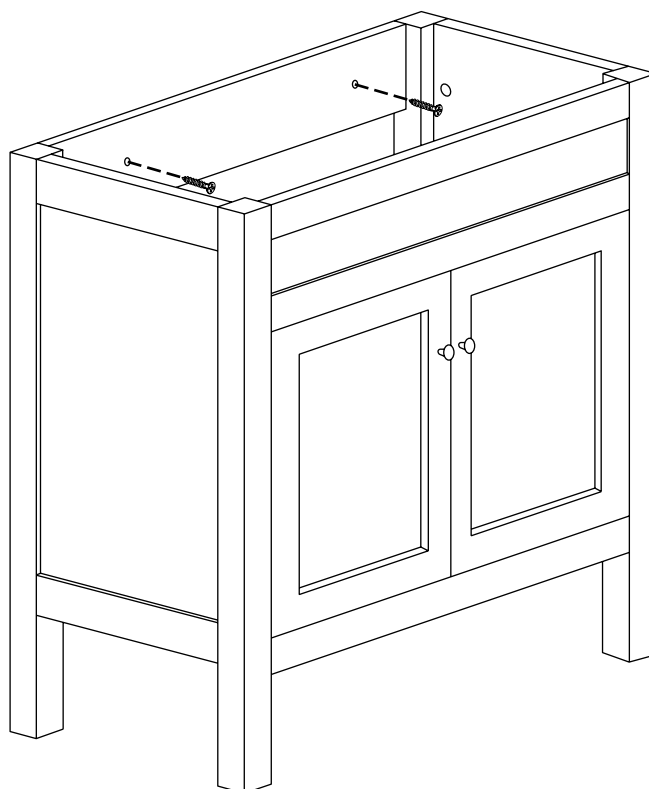
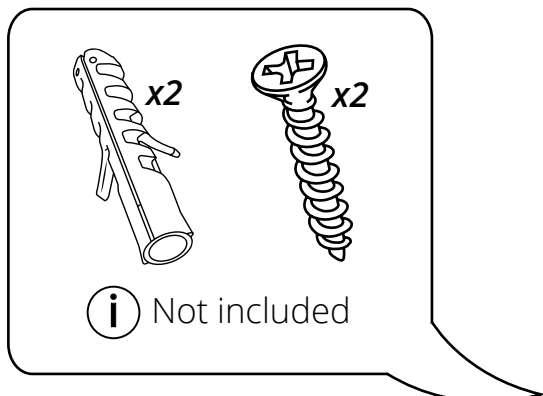
17



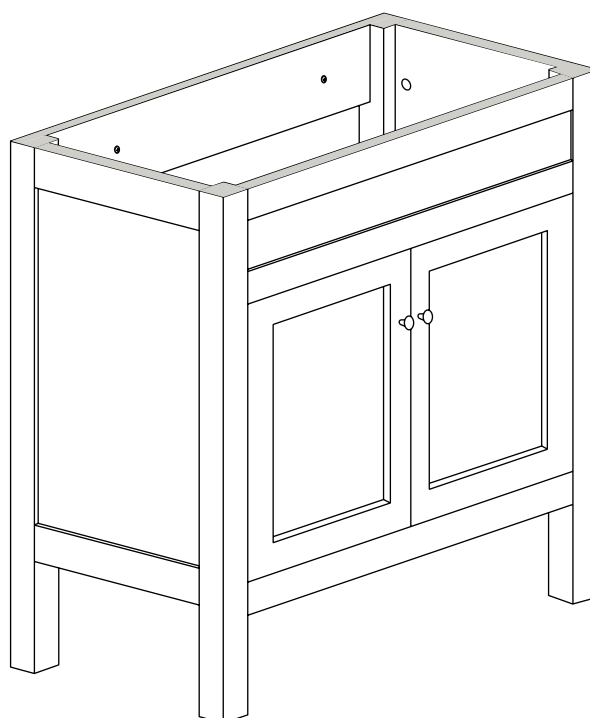
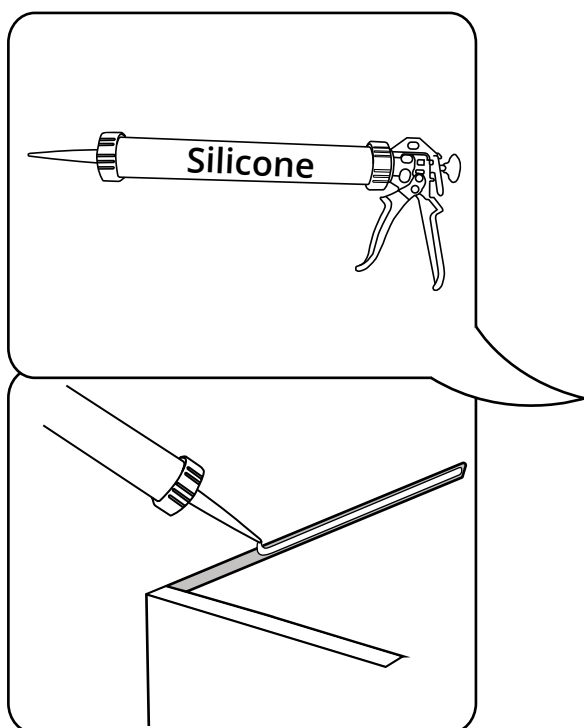
18



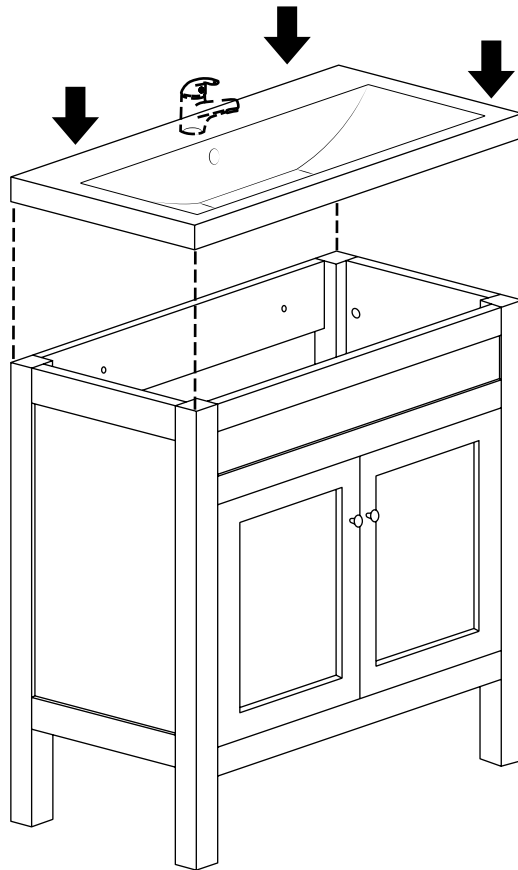
19



20



21



22



22

