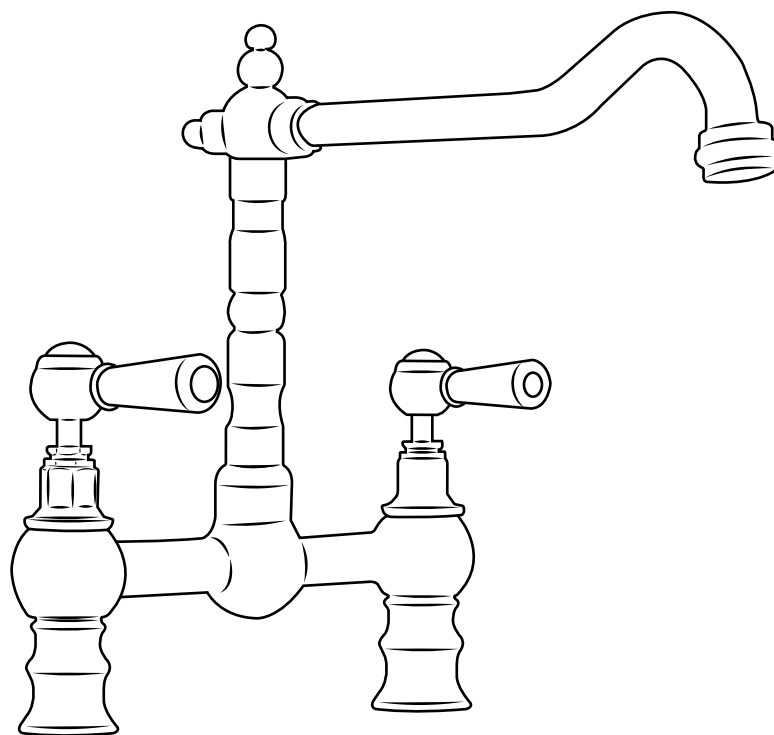


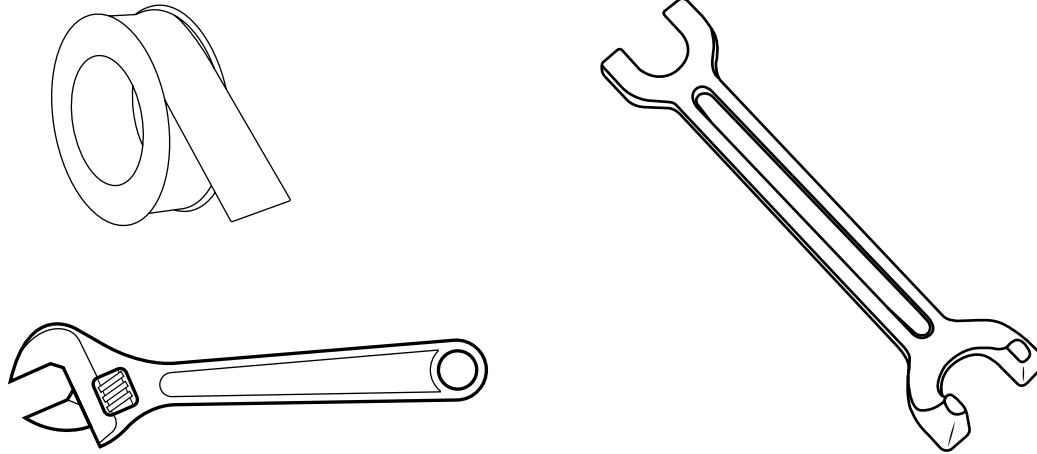
Kitchen Tap



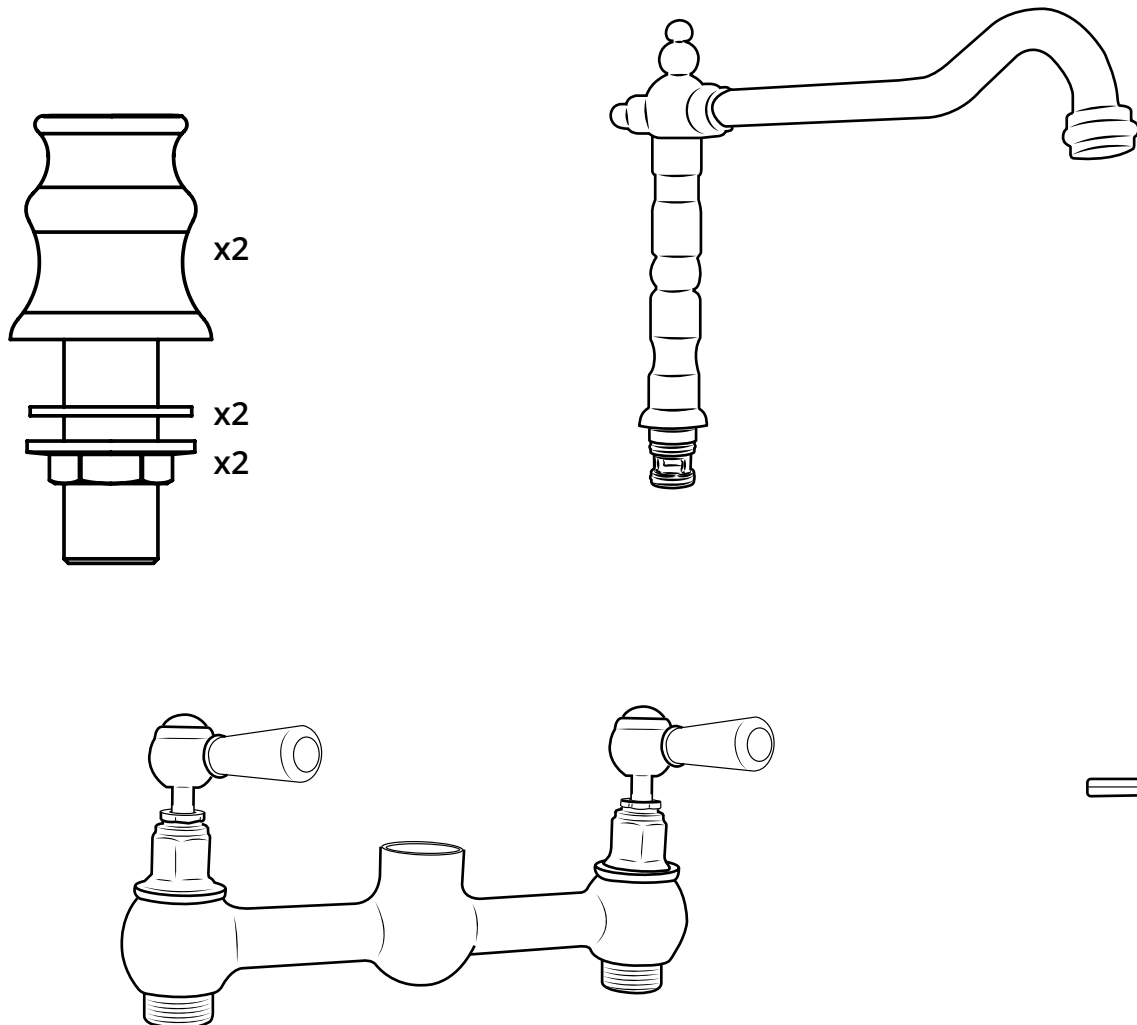
Installation Guide

Installation

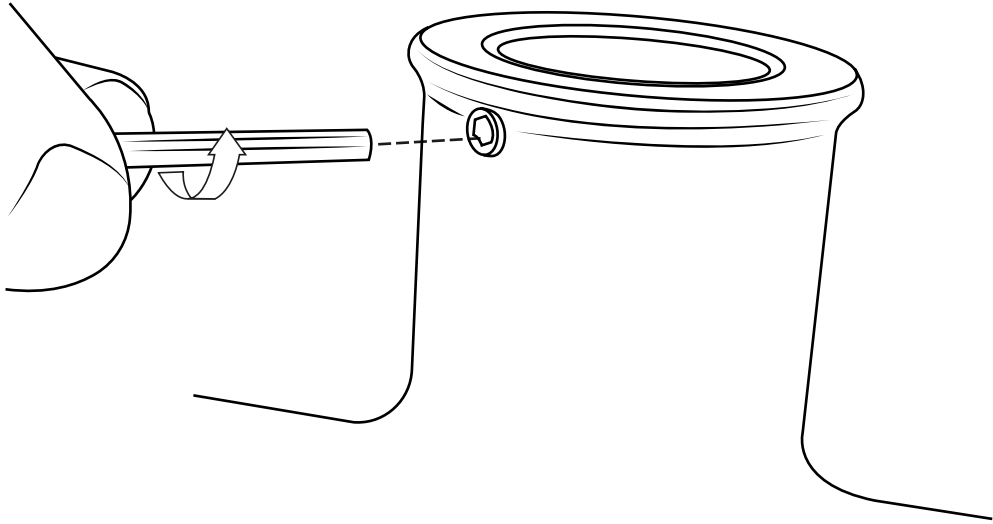
Tools required for installing:



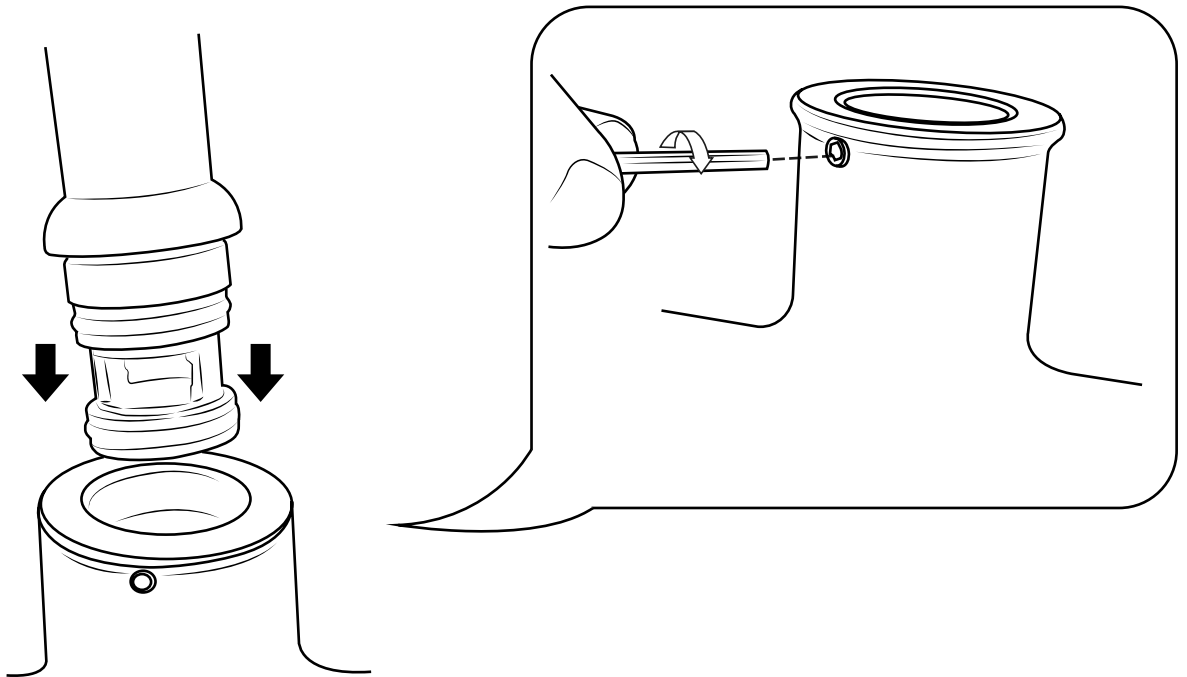
Parts included:



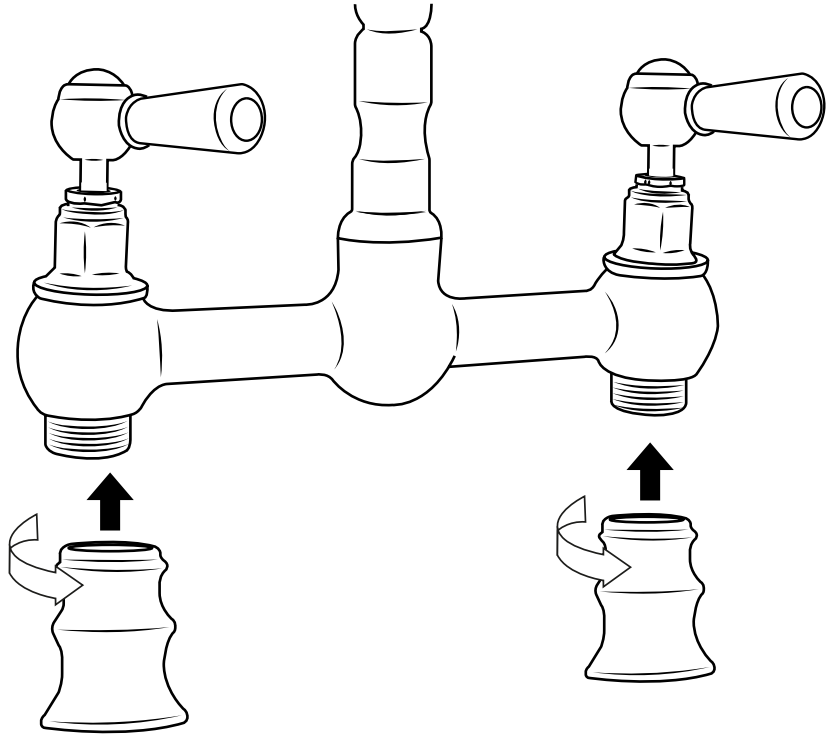
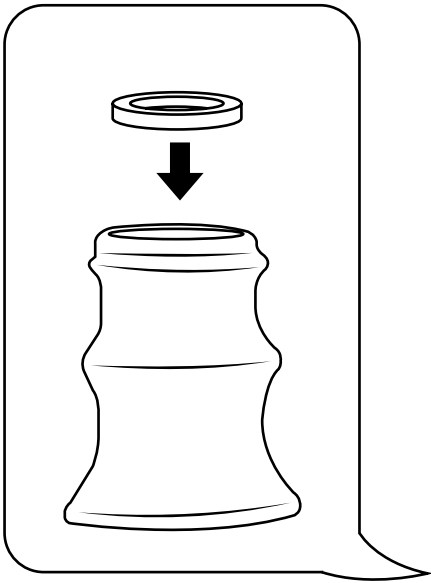
1



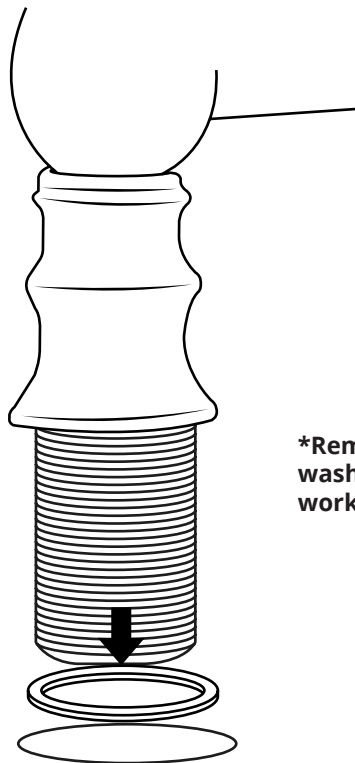
2



3

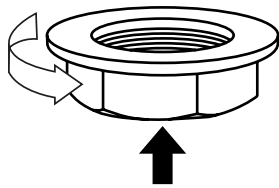
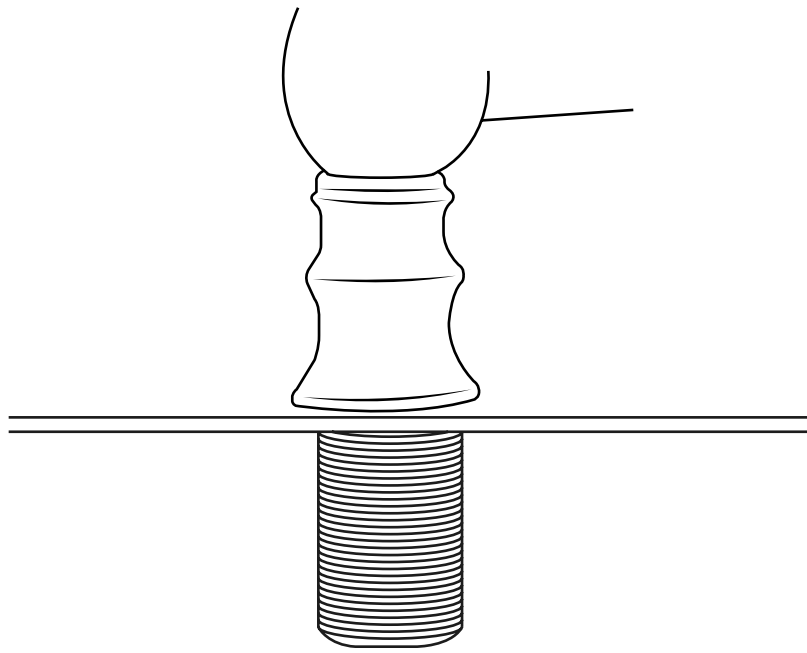


4

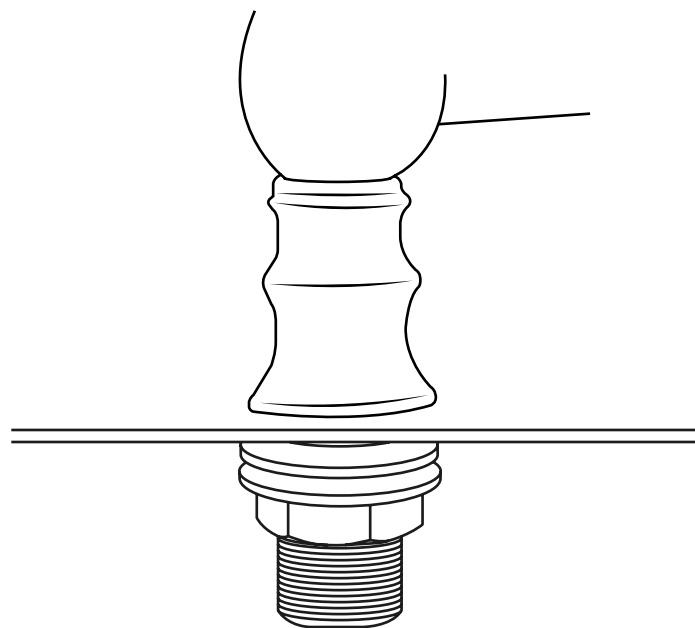


Remember to install the 'O' ring or washer between the mixer body & worktop

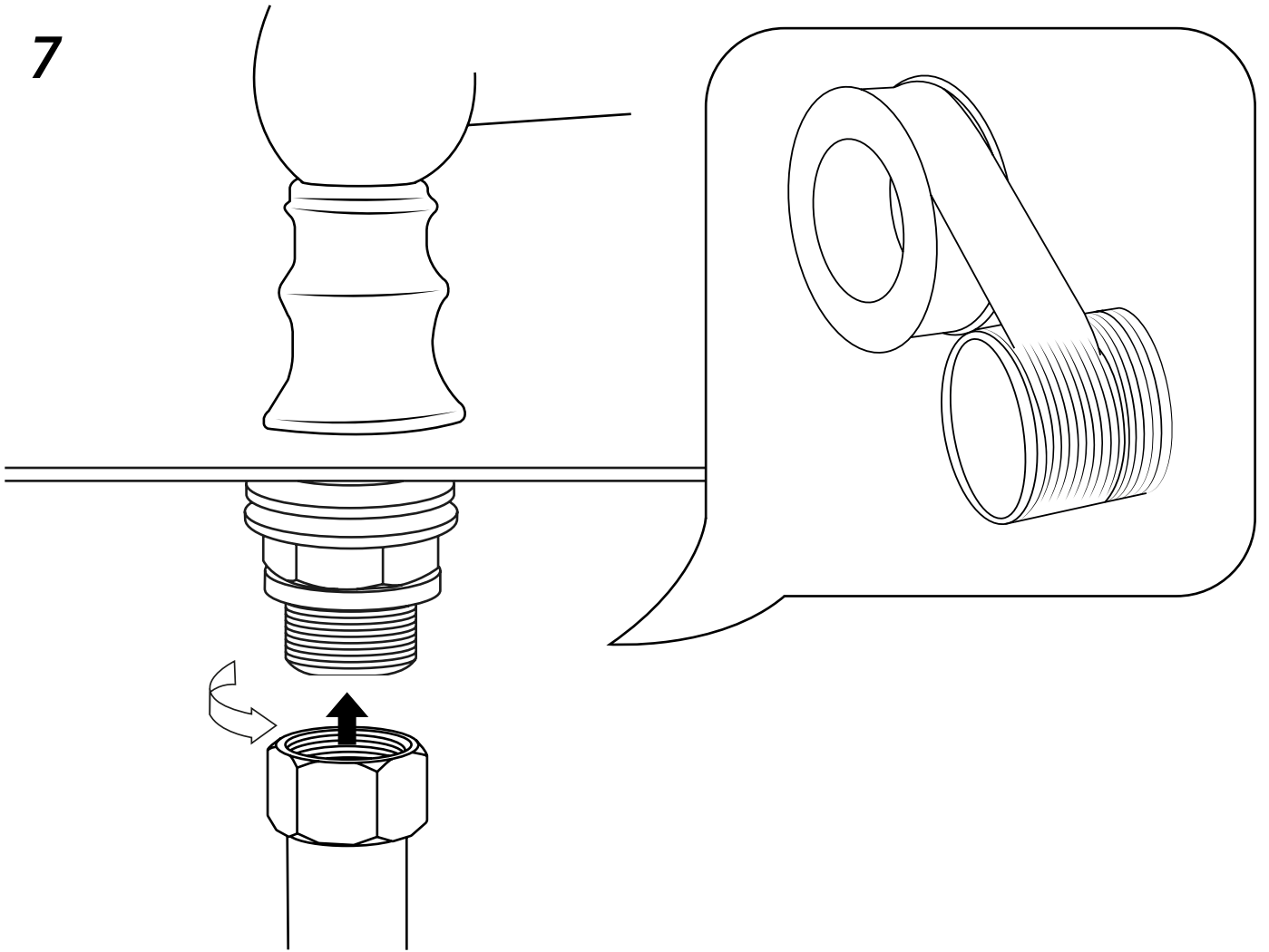
5



6



7



8

