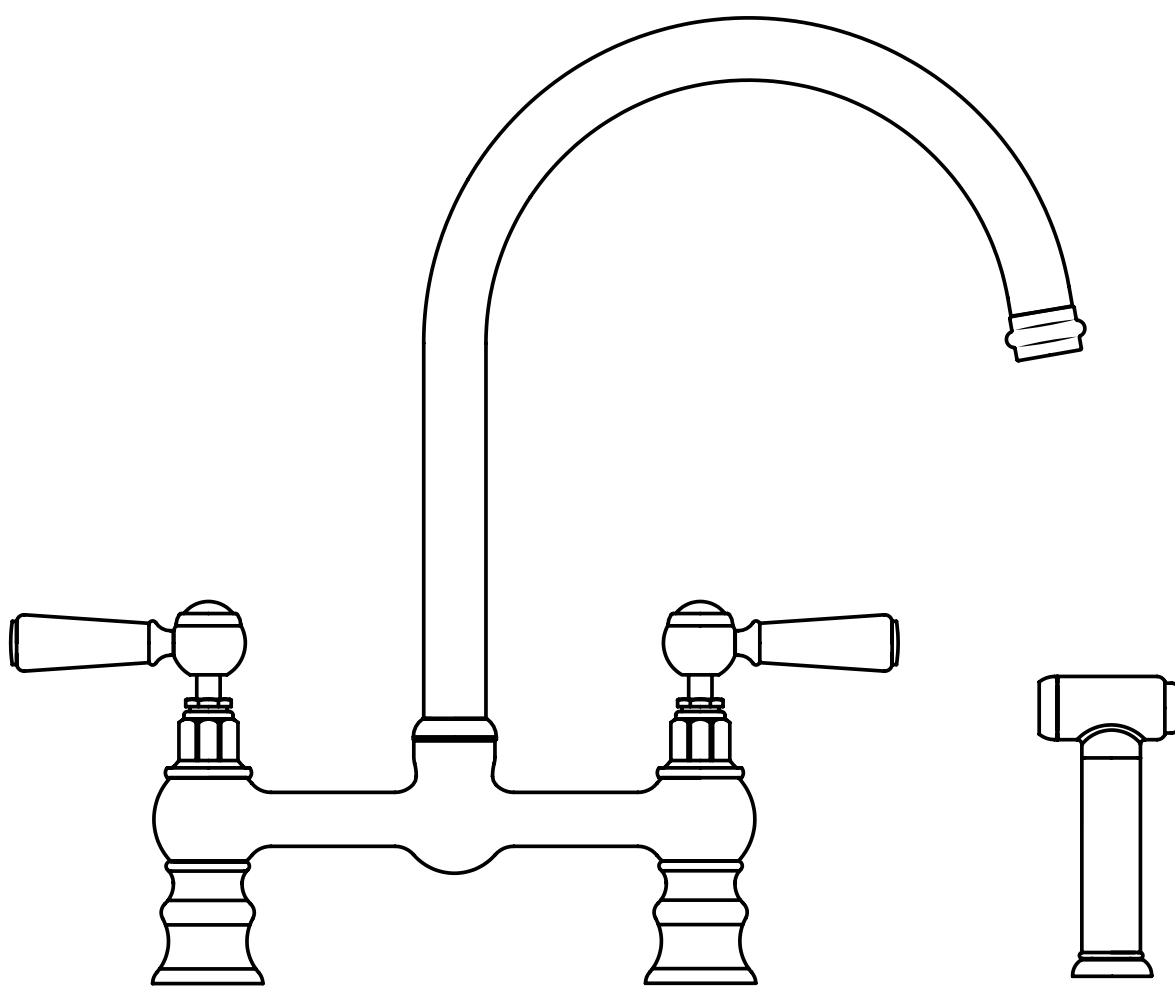
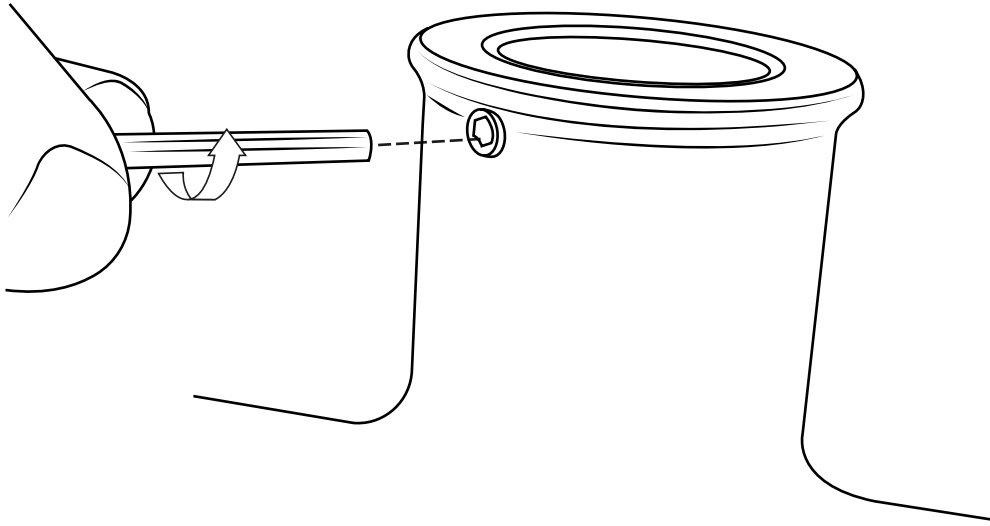


Kitchen Tap

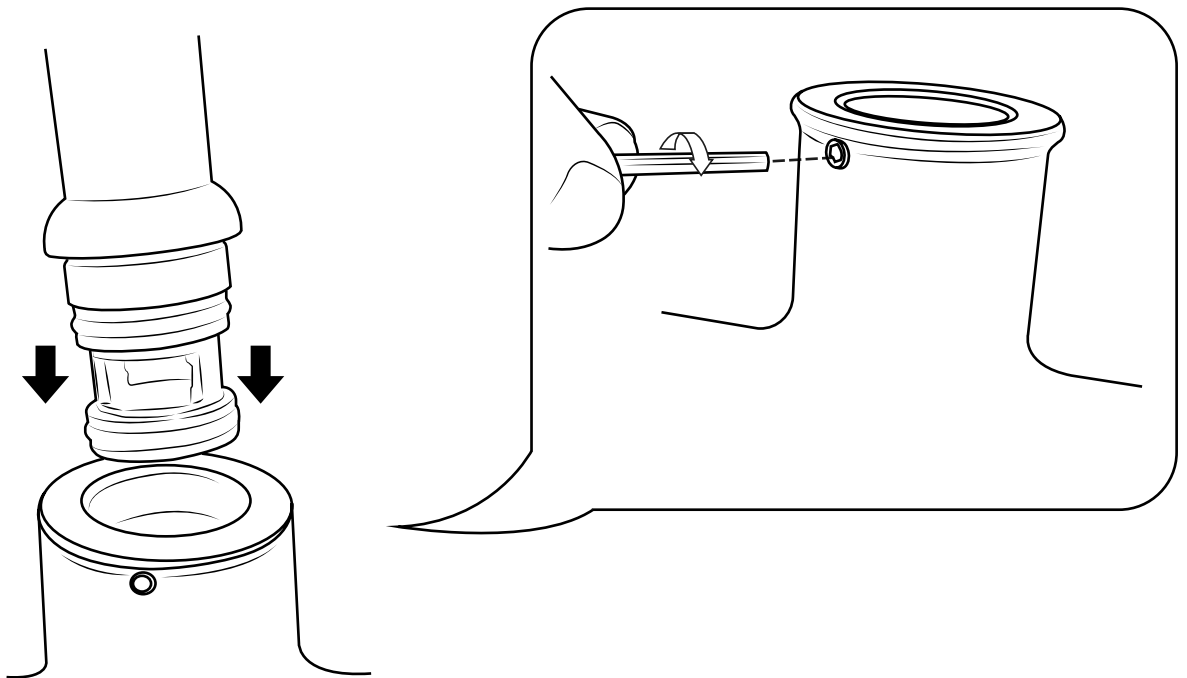


Installation Guide

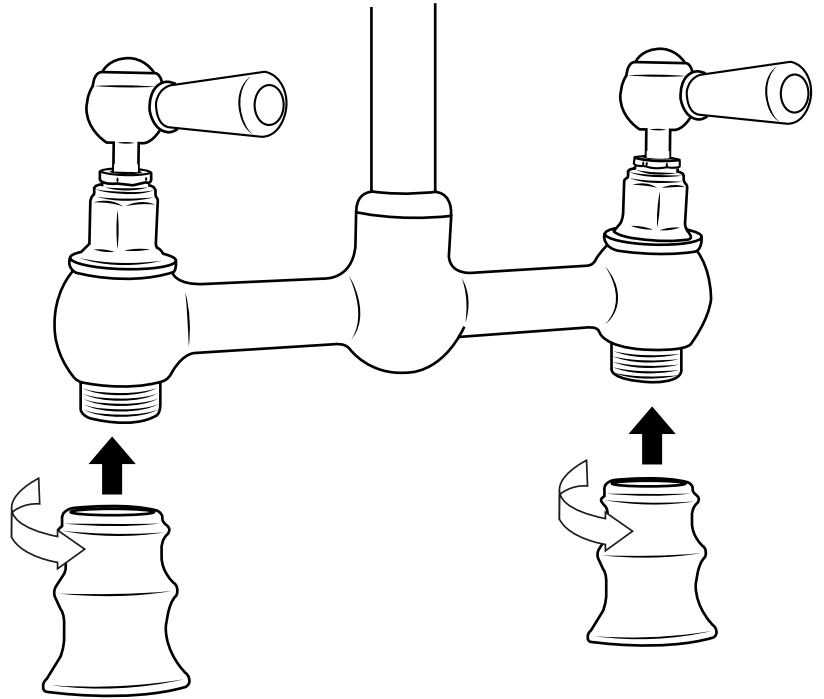
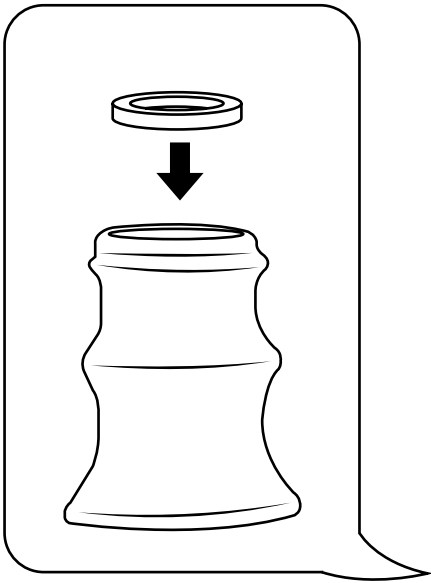
1



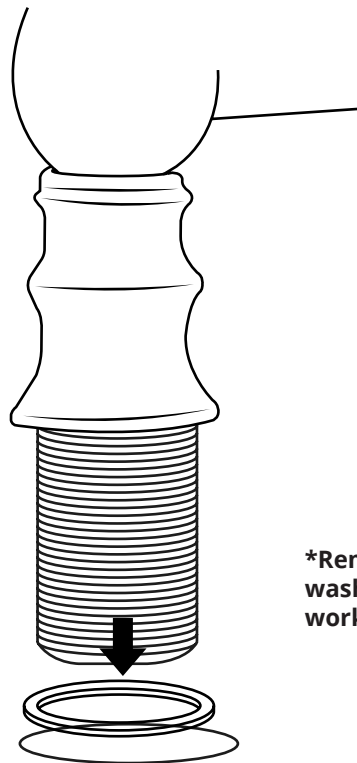
2



3

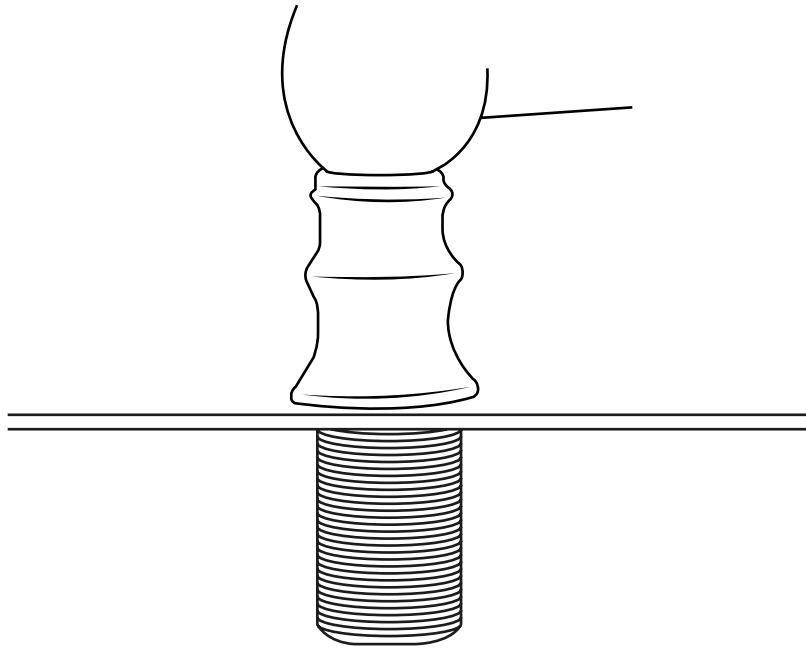


4

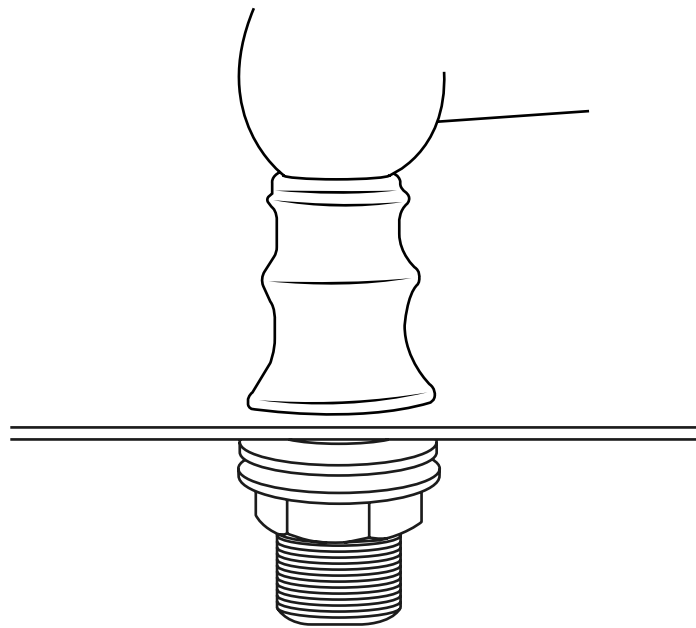
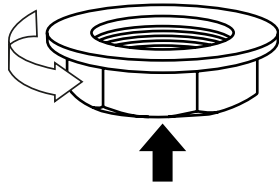


Remember to install the 'O' ring or washer between the mixer body & worktop

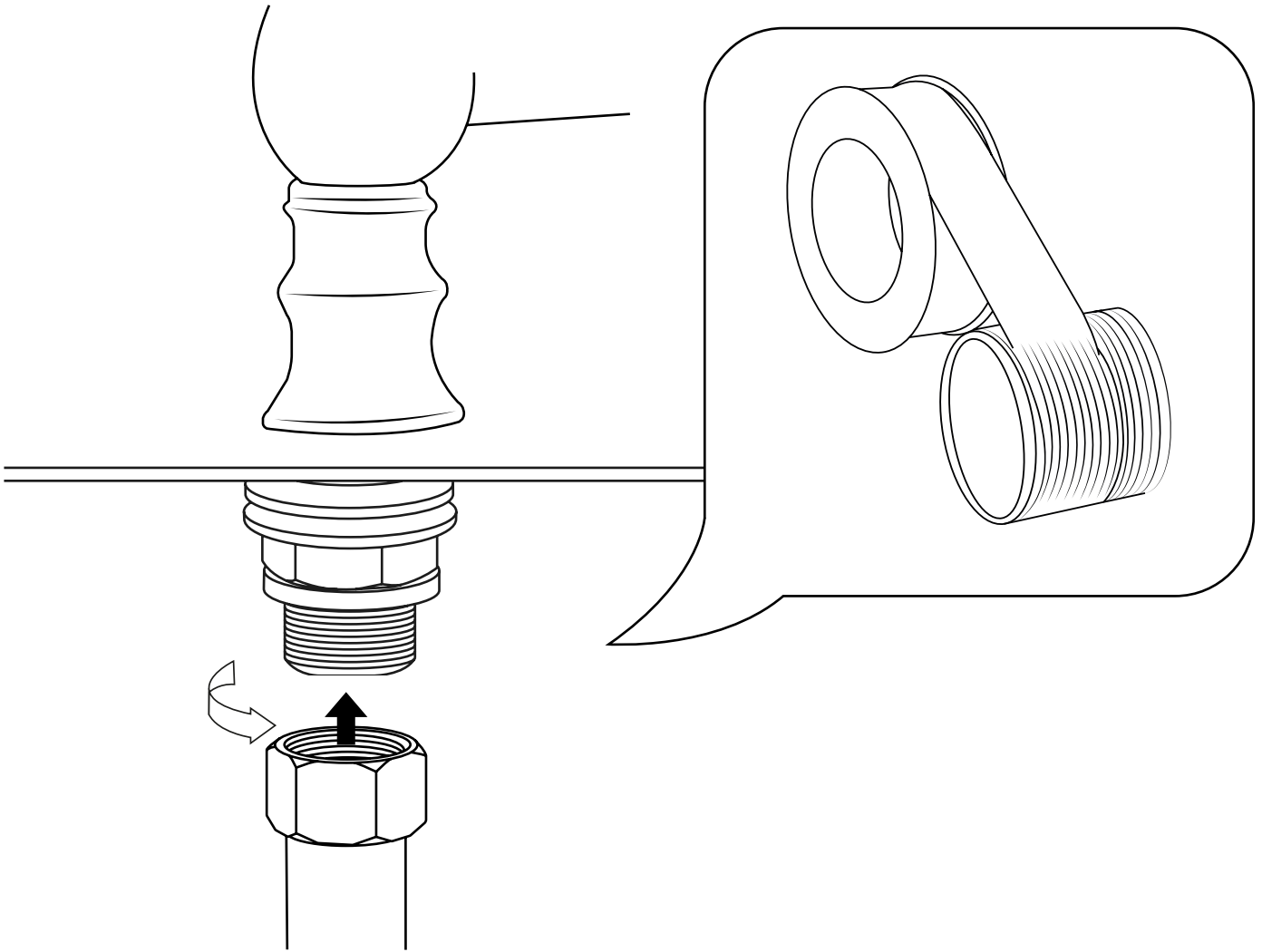
5



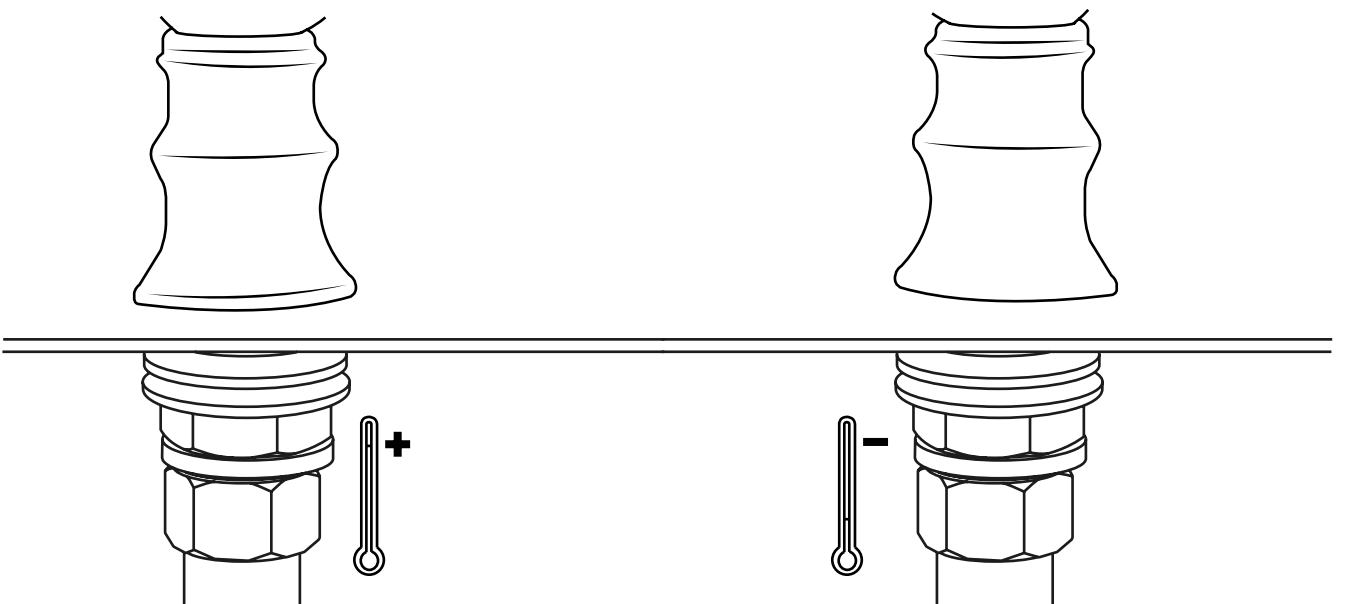
6



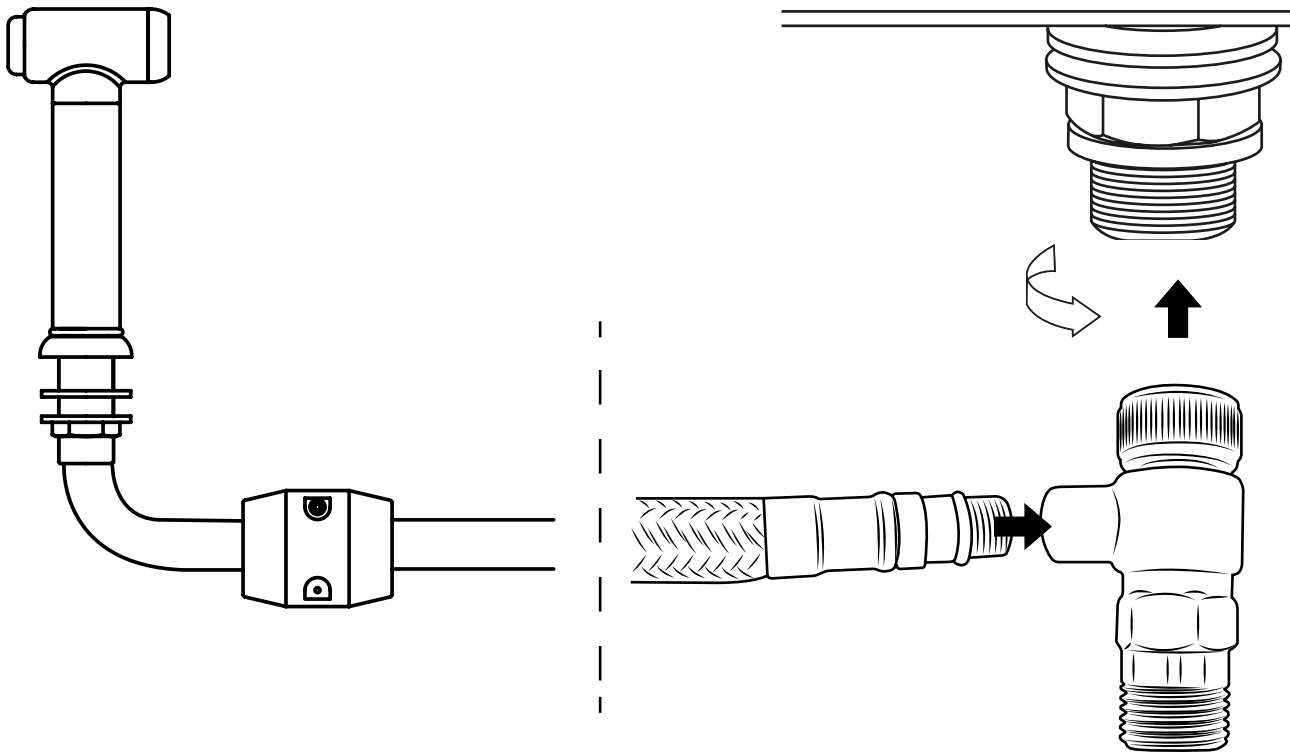
7



8



9



10

