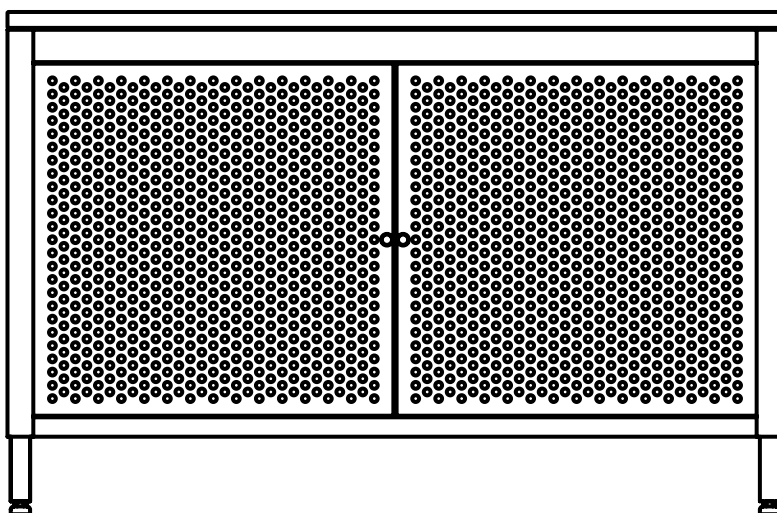


Furniture Guide

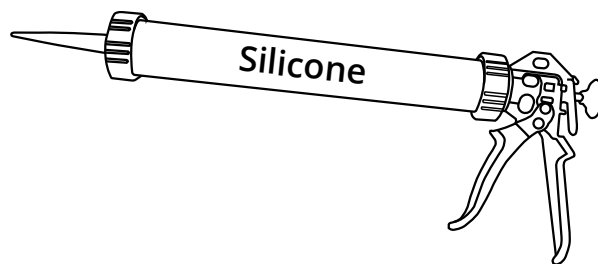
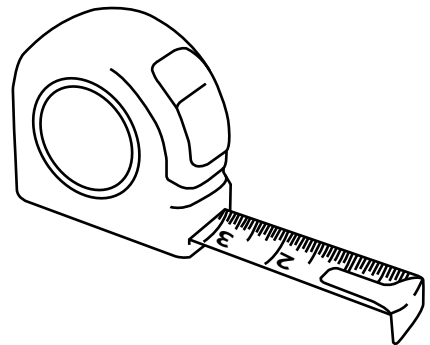
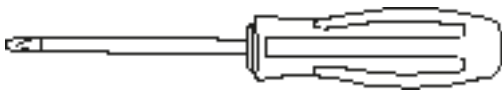
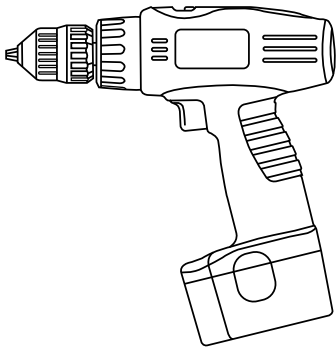


Installation Instructions

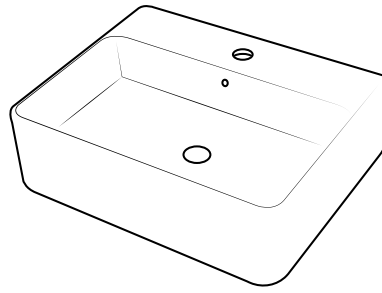
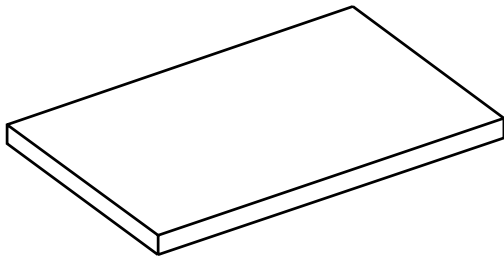


Floor standing units must be fitted back to the wall through the back rail using suitable fixings

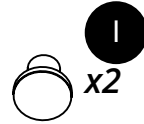
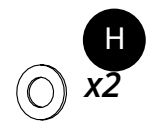
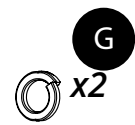
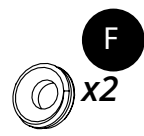
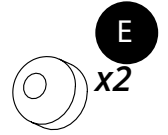
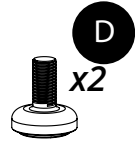
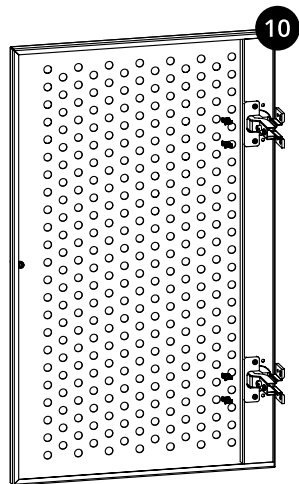
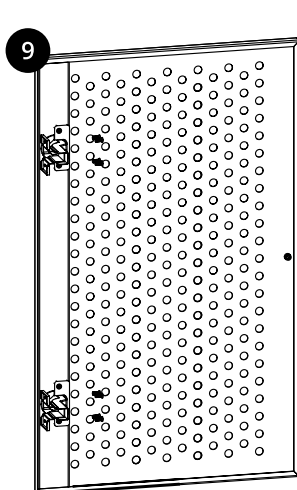
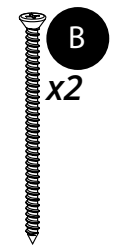
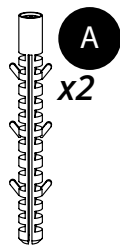
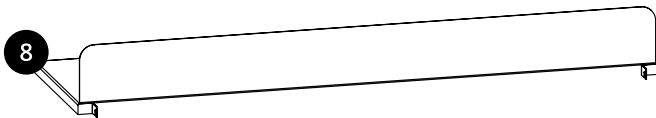
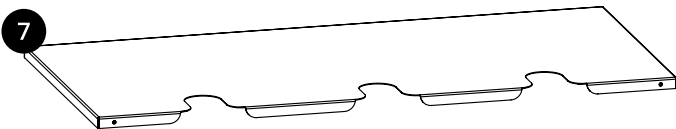
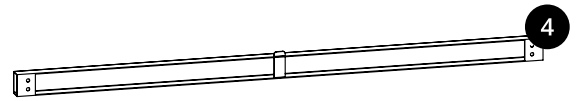
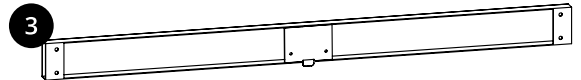
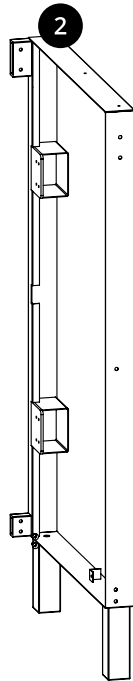
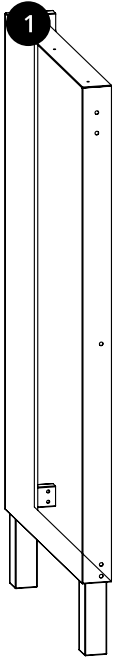
Tools required for installing:



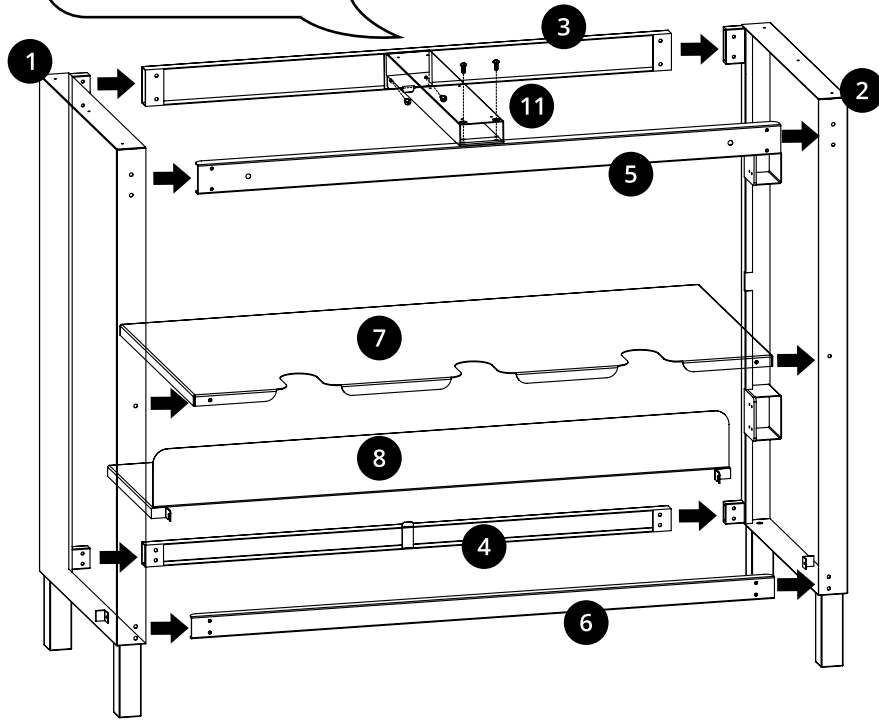
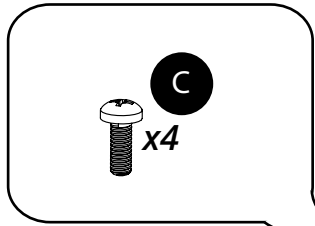
Parts included:



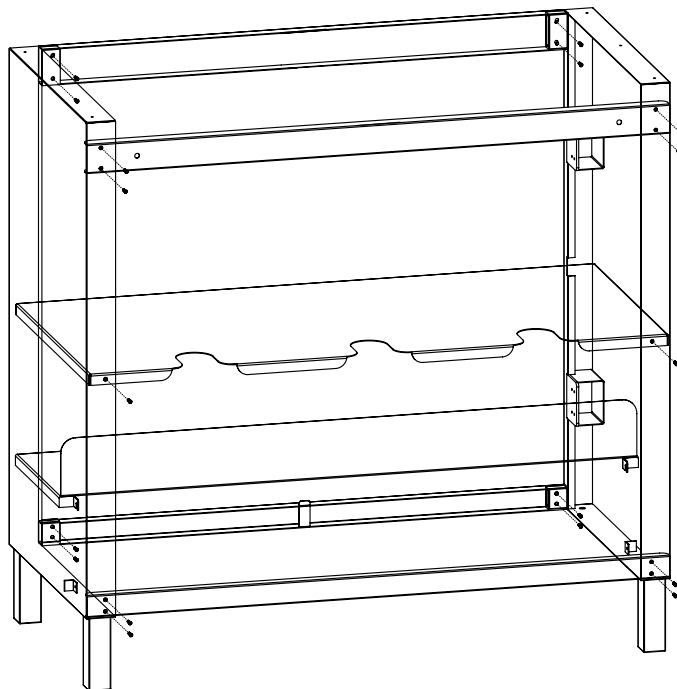
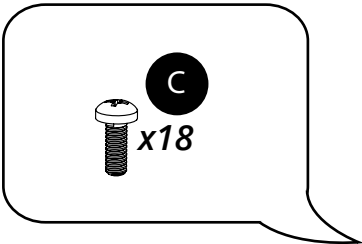
i Style may vary



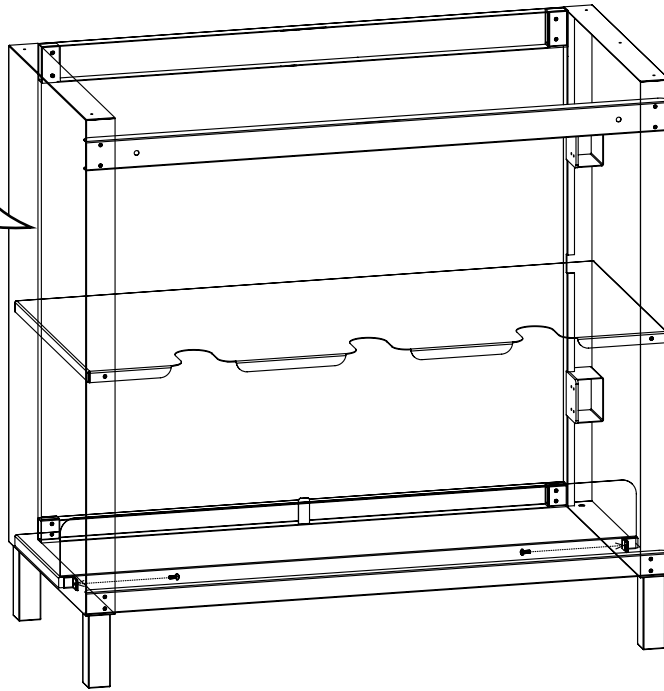
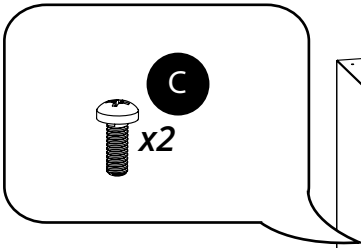
1



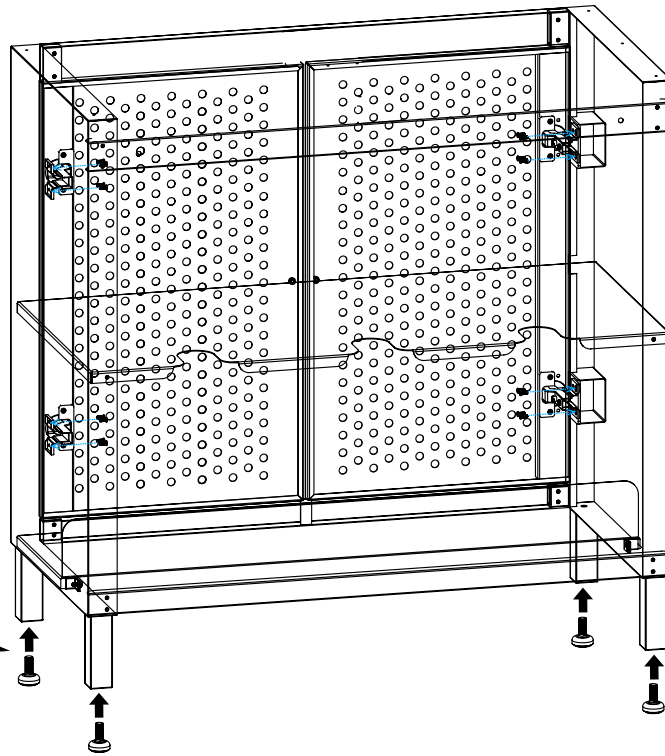
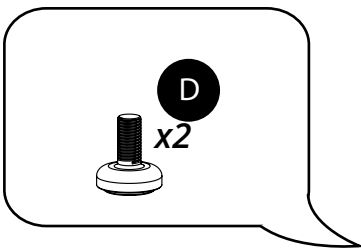
2



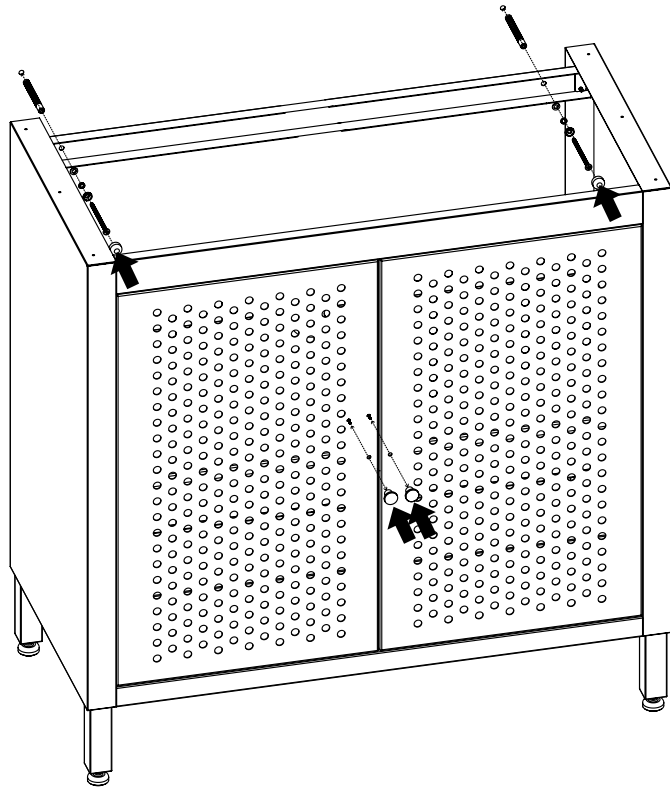
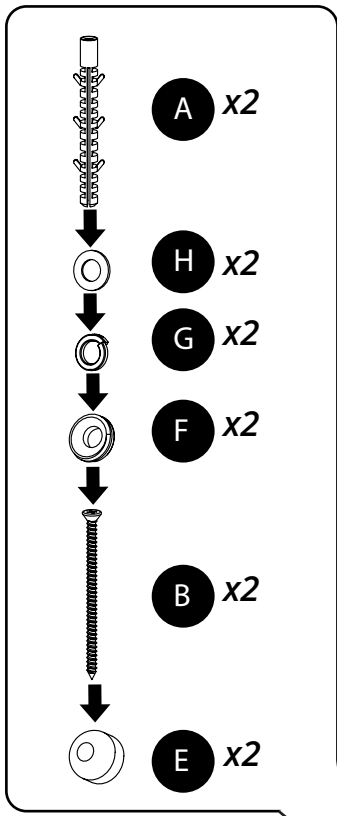
3



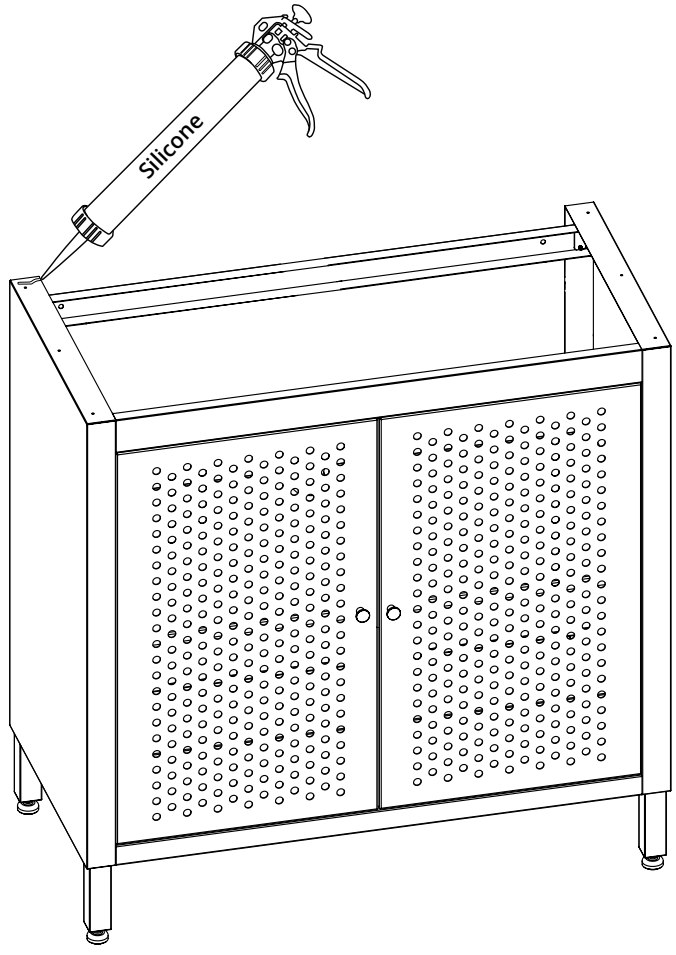
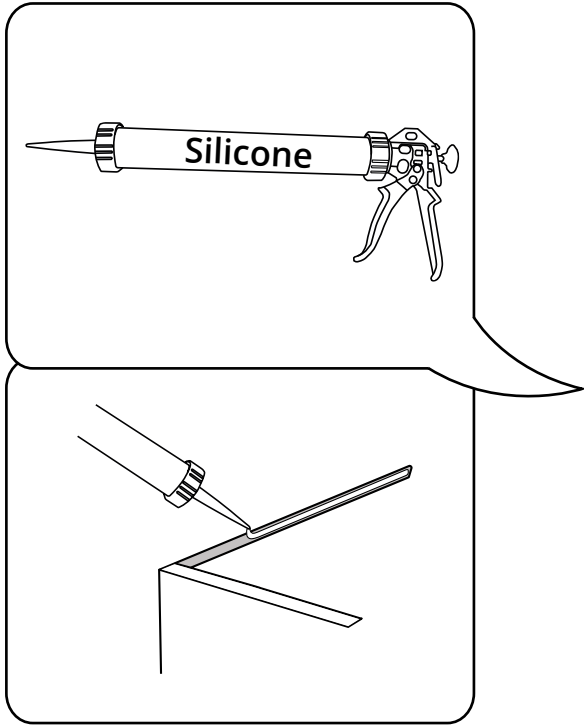
4



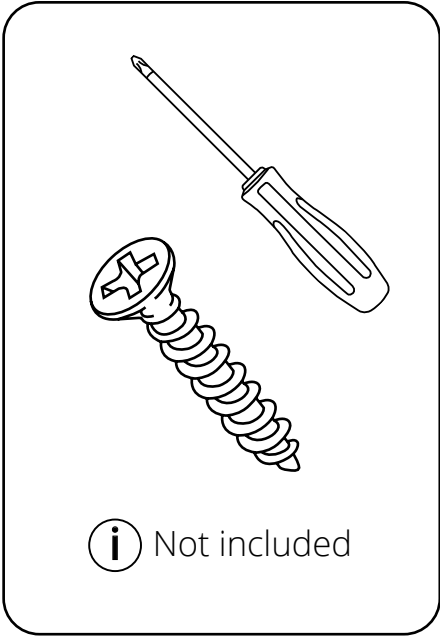
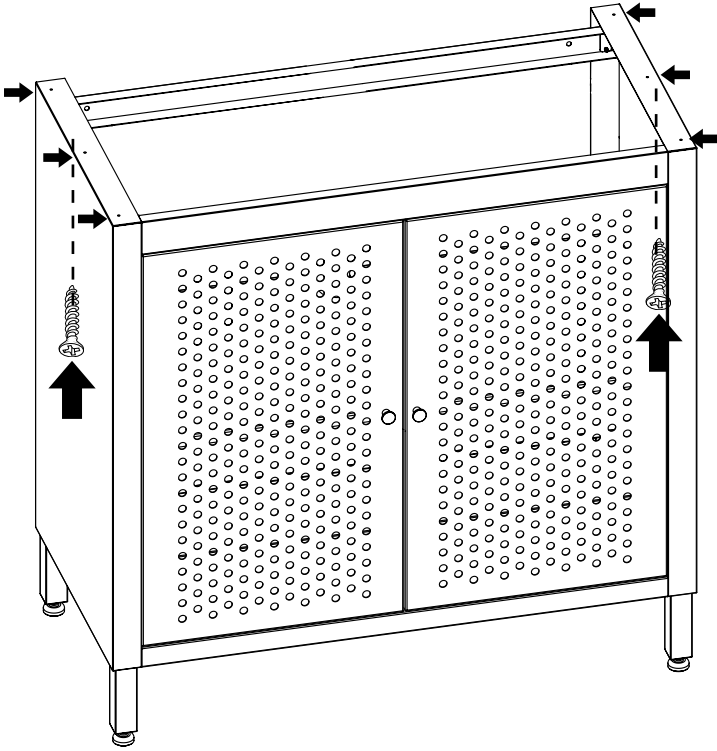
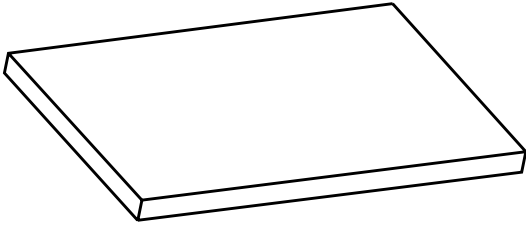
5



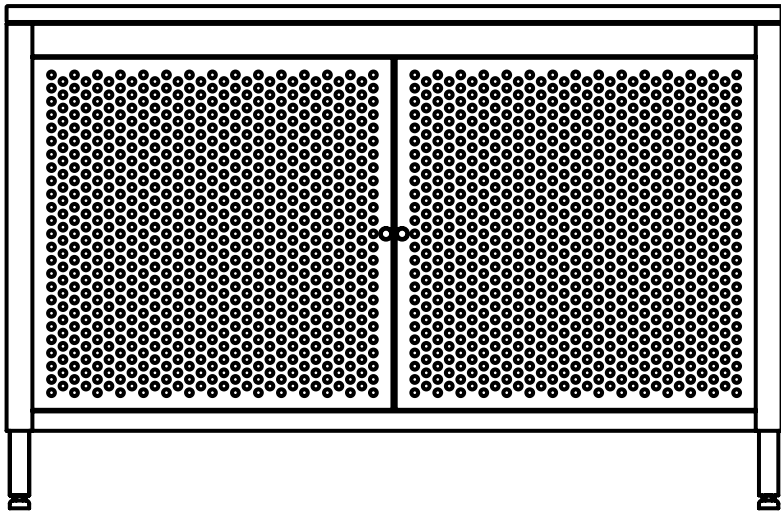
6



7

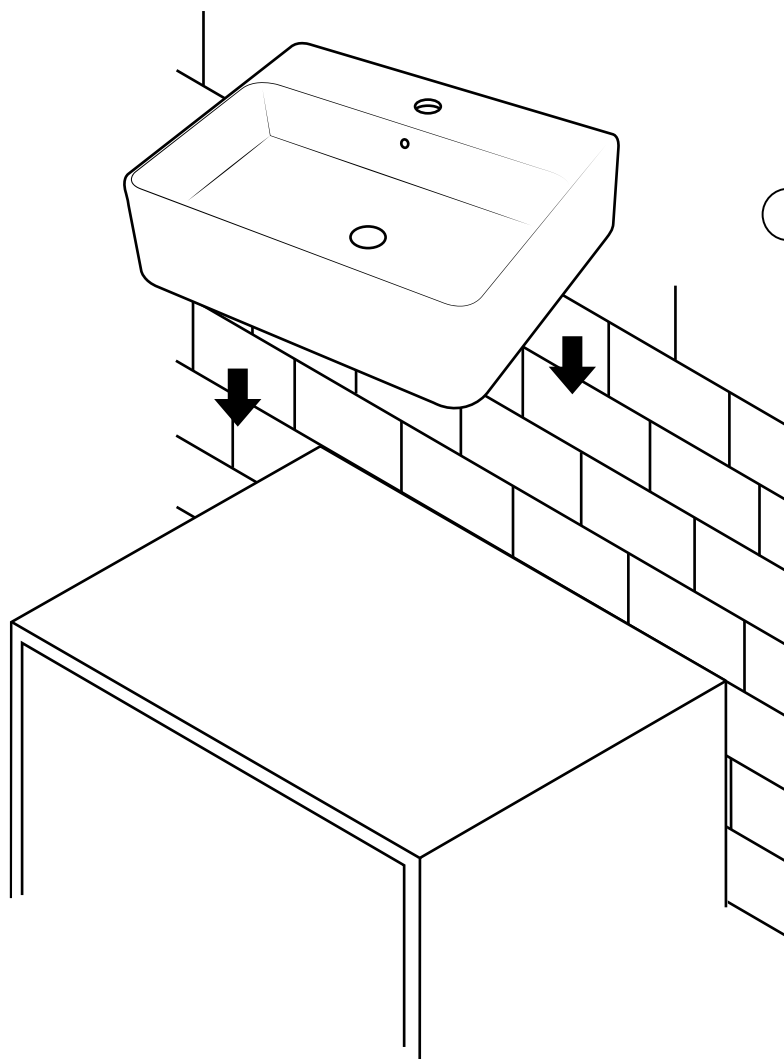


8



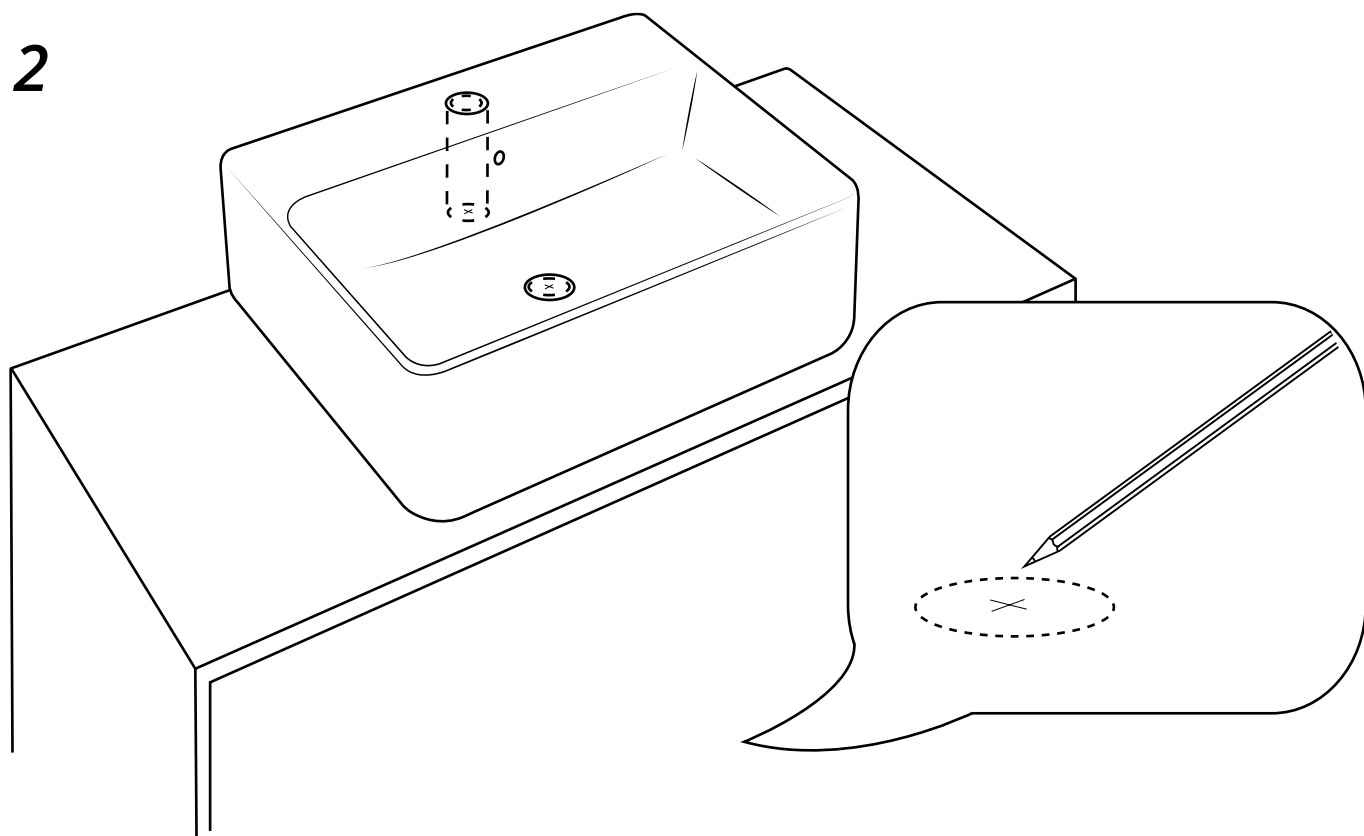
Fitting a basin:

1

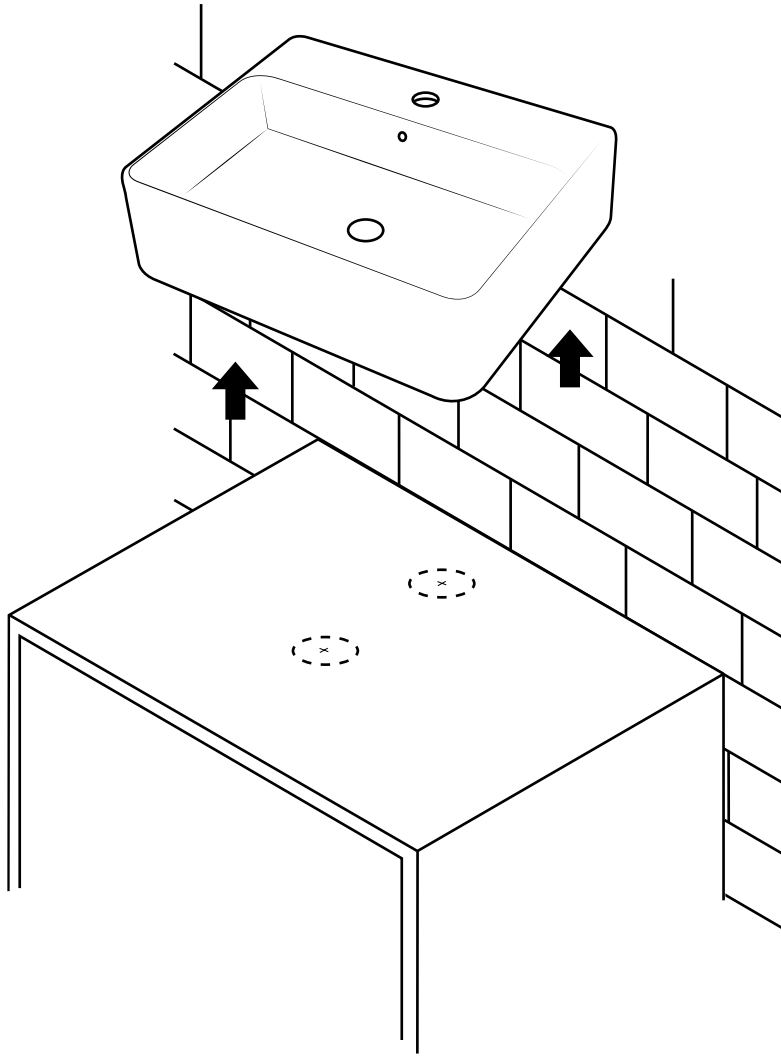


i Style may vary

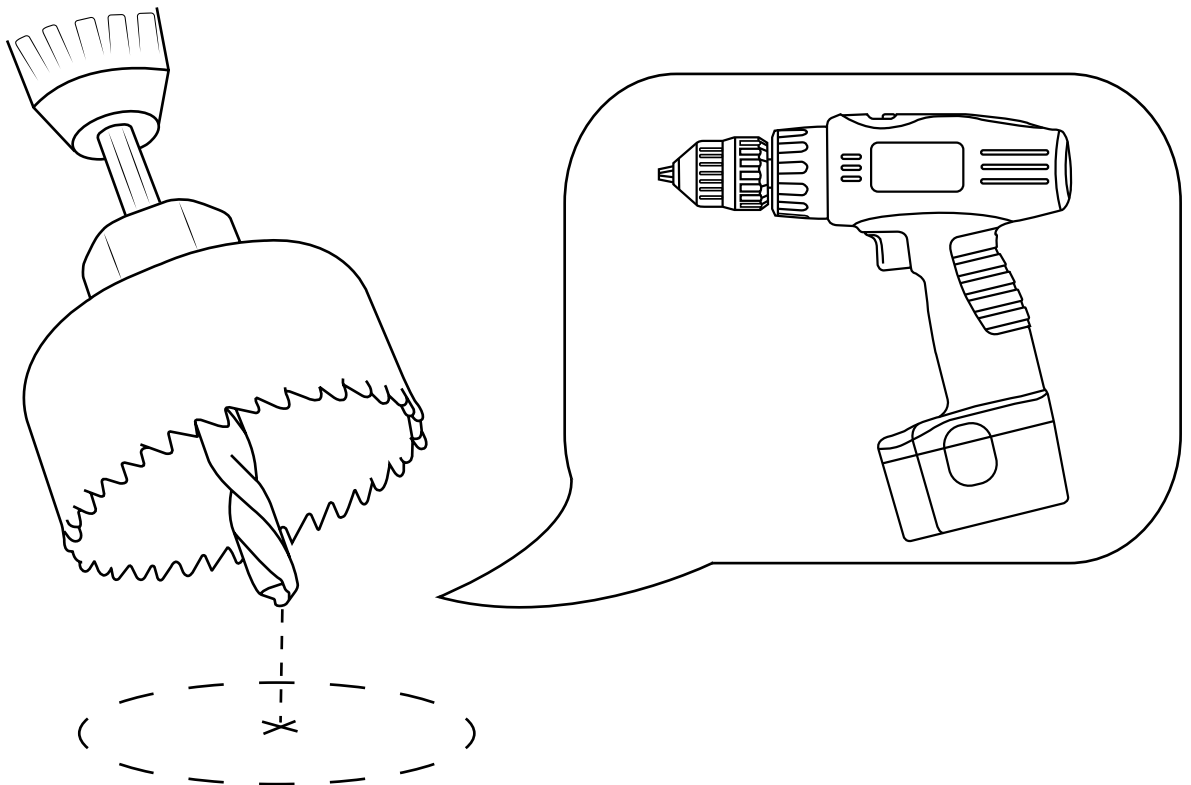
2



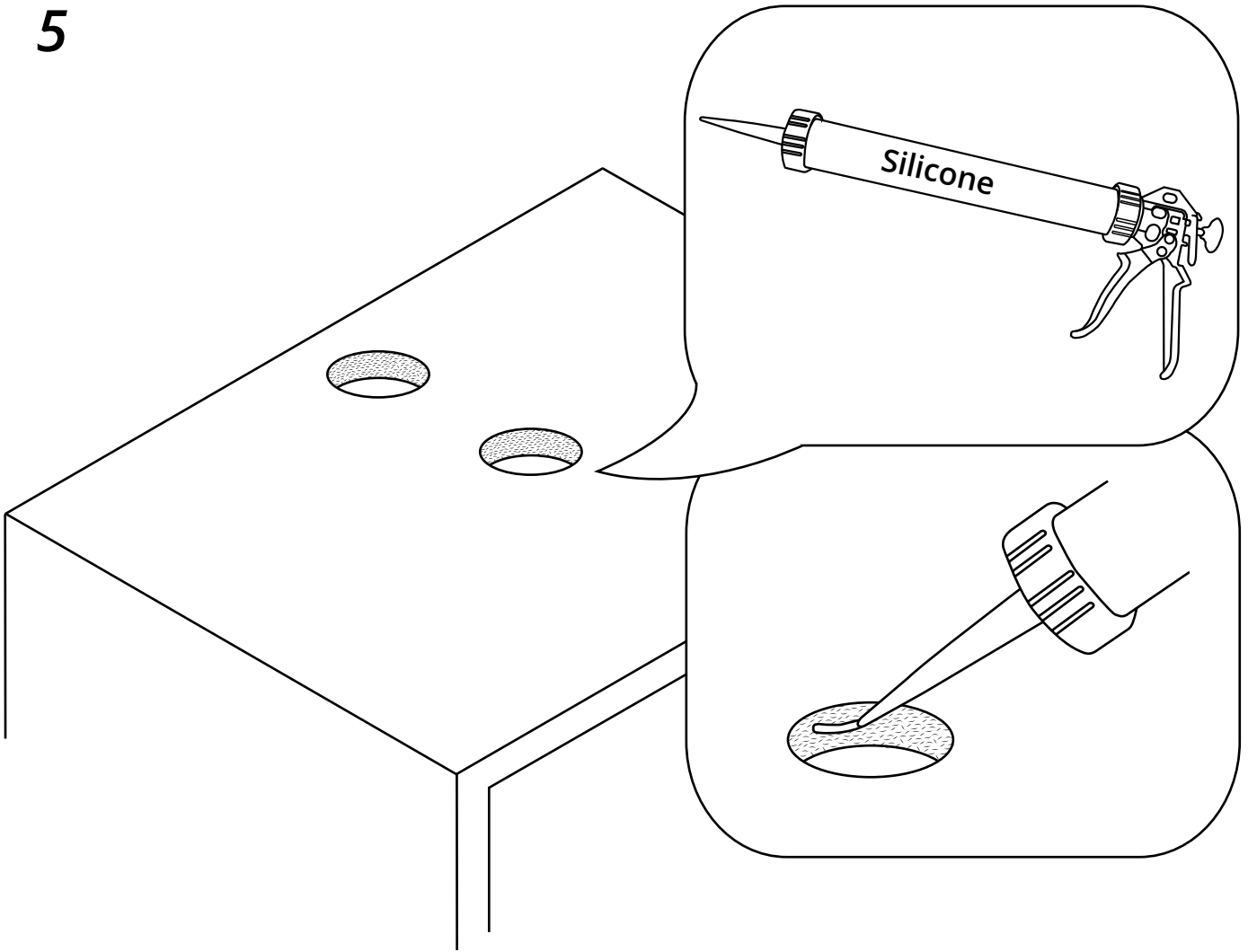
3



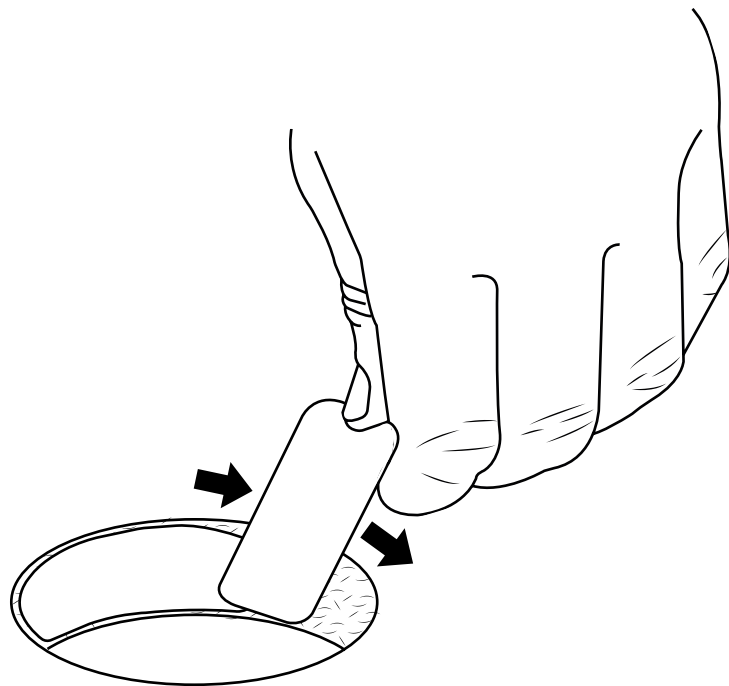
4



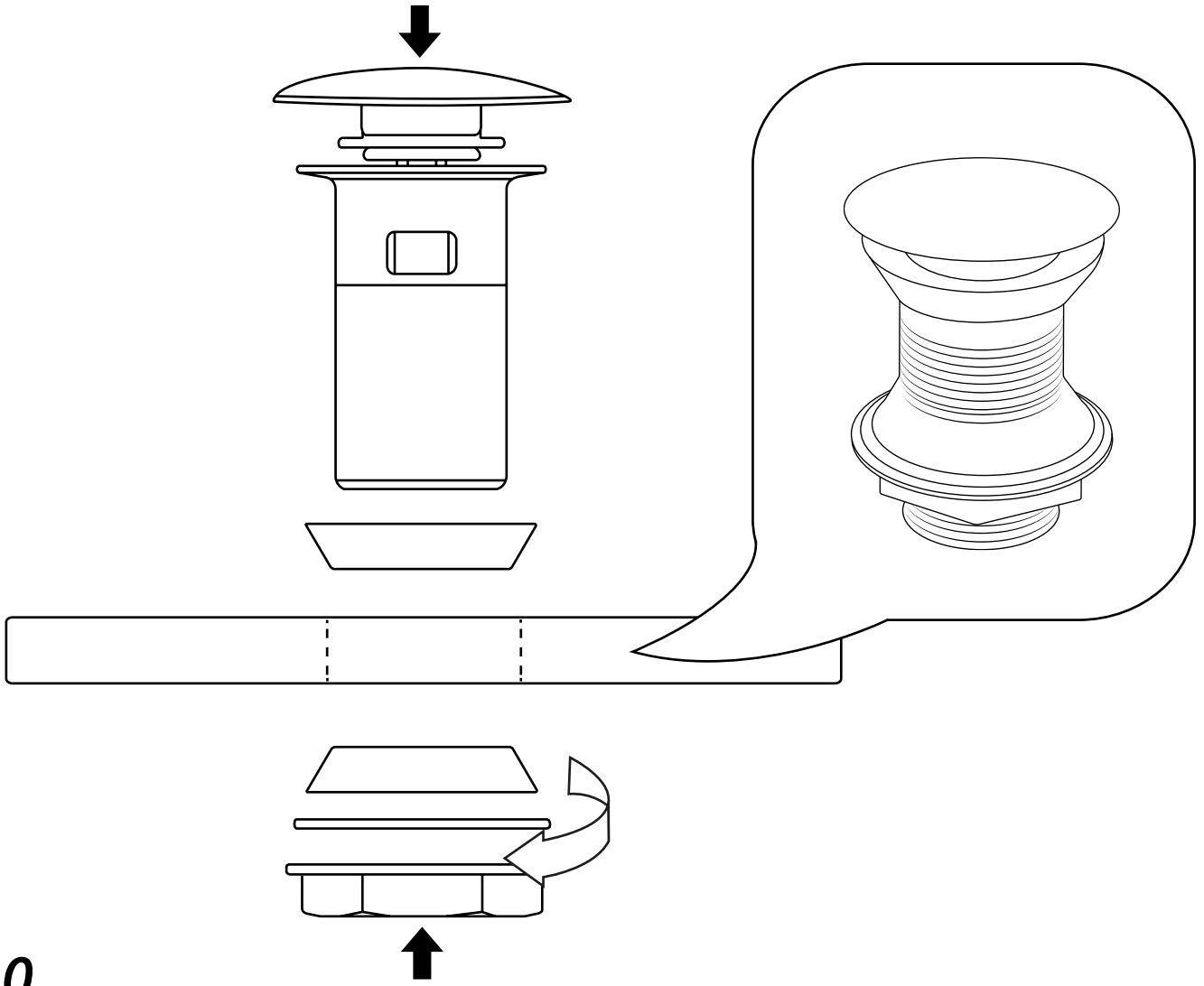
5



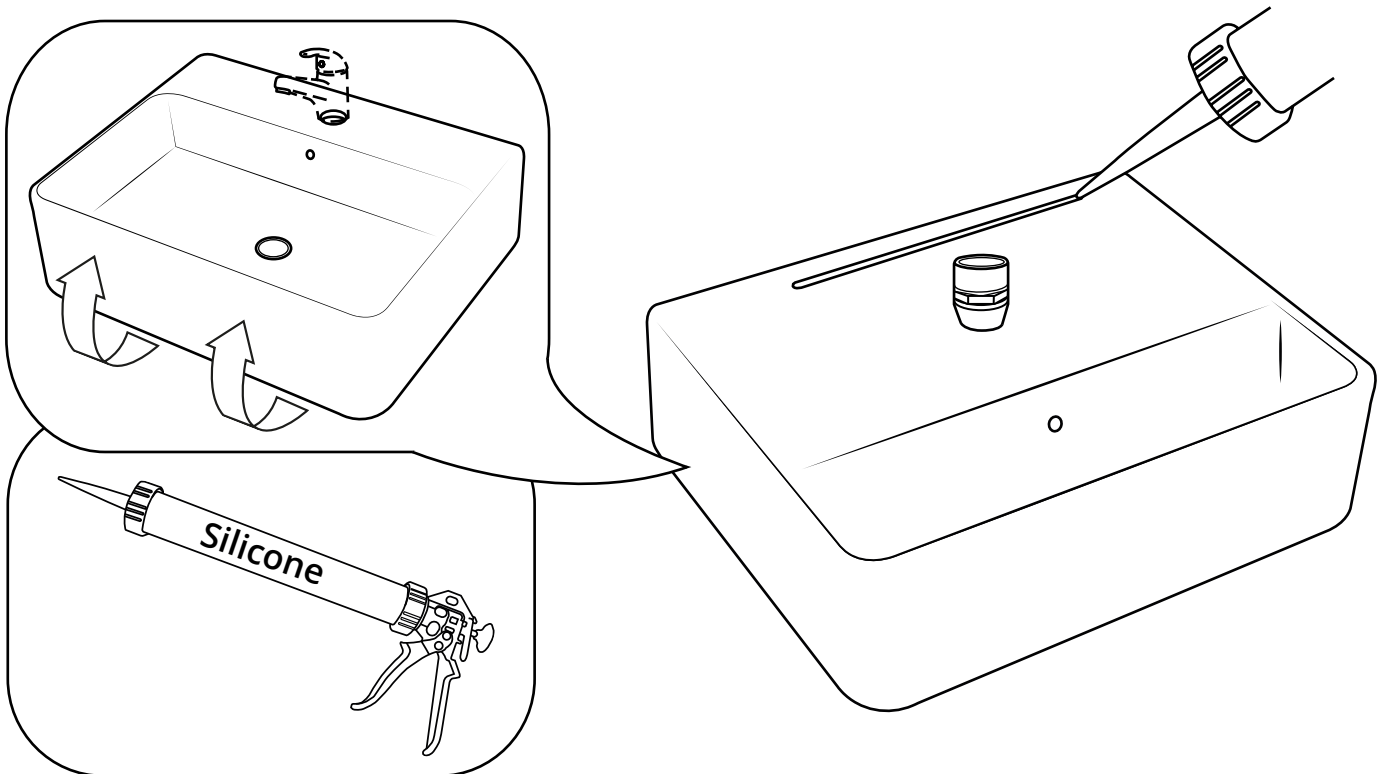
6



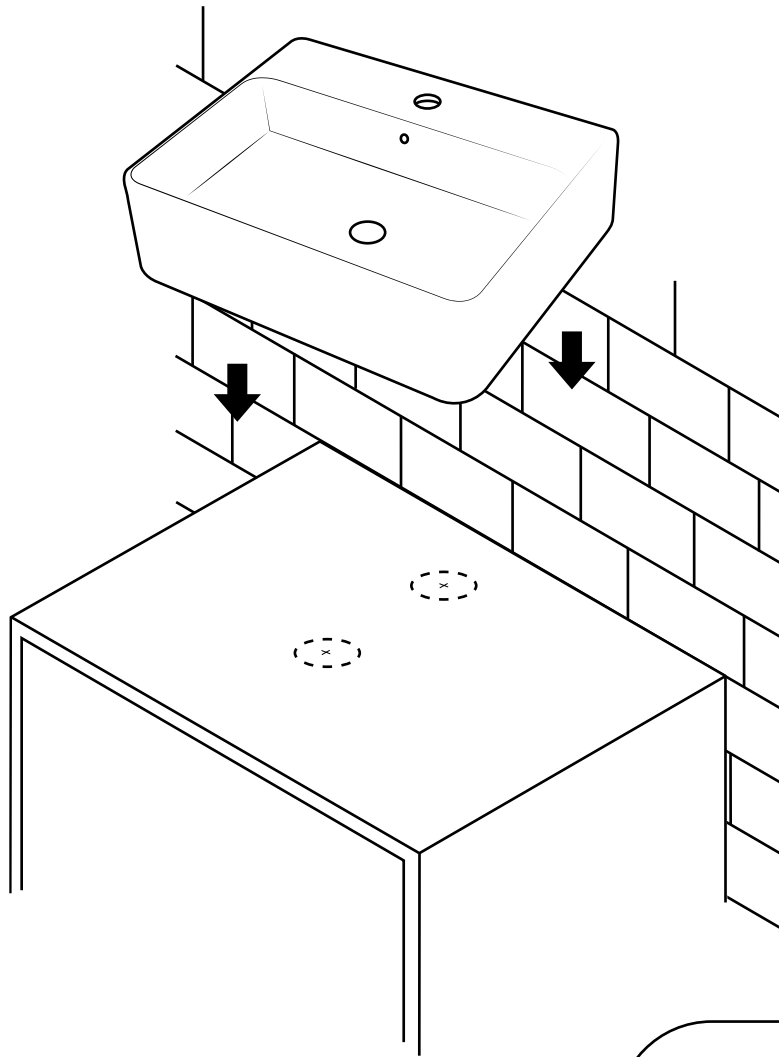
9



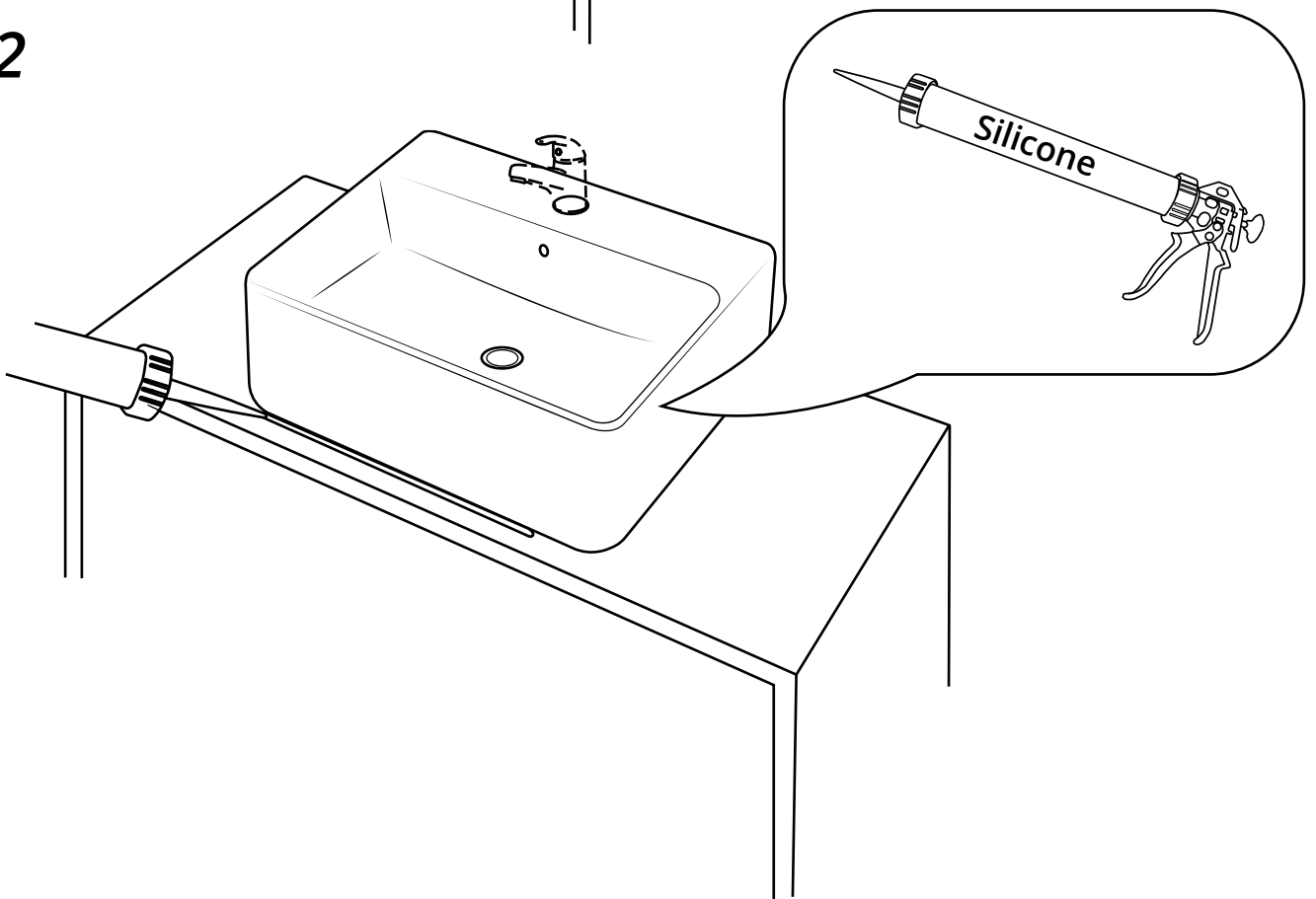
10

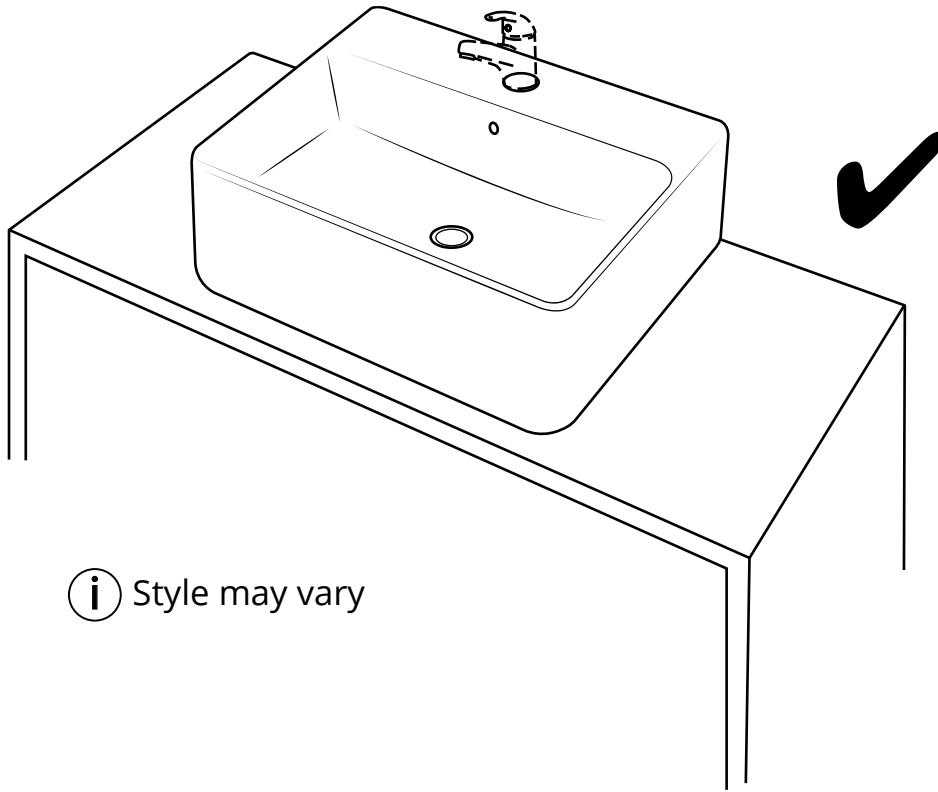


11



12





ⓘ Style may vary