

# Tradiational Column Radiator feet

## Installation Guide

### ***Contents***

Safety Information **Page - 2**

Installation **Page - 3**

Warranty Information **Page - 4**

Recycling & Disposal **Page - 4**

# Safety Information

## *Please read carefully...*

- ✓ Check the product for defects before installing.
- ✓ This product is not designed to fit to third party radiators.
- ✓ Please wear appropriate safety equipment while installing this product.
- ✓ Check before installing that you have purchased the correct model feet for your radiator.

# Installation

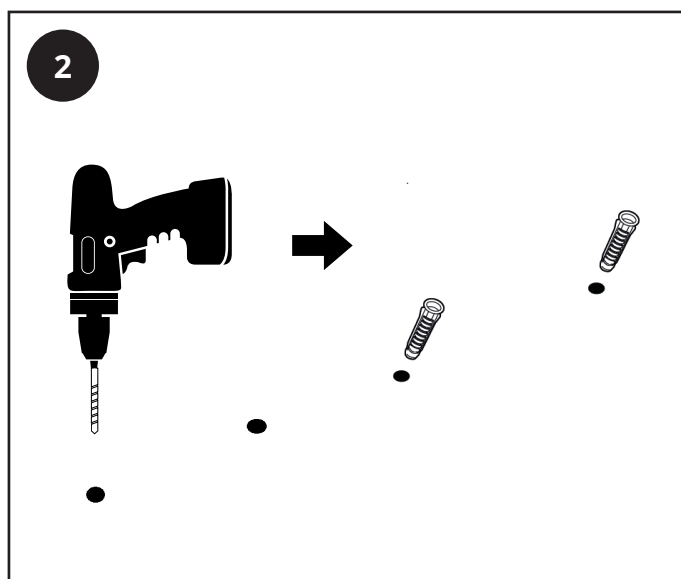
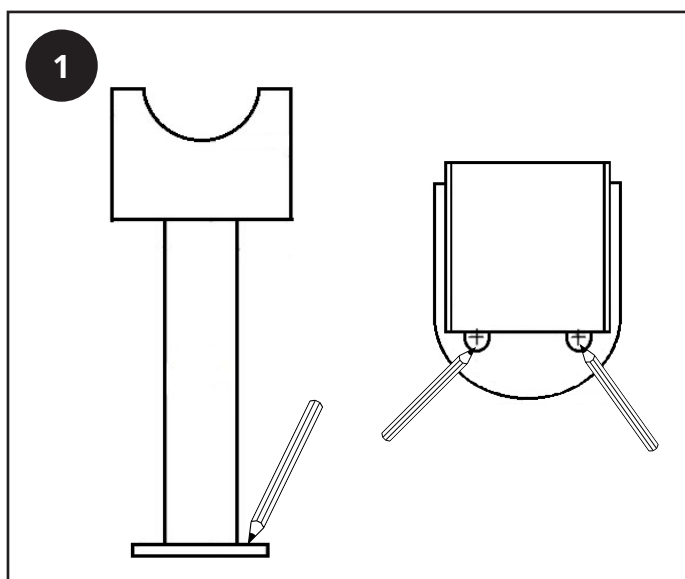
## *Tools required for installing:*

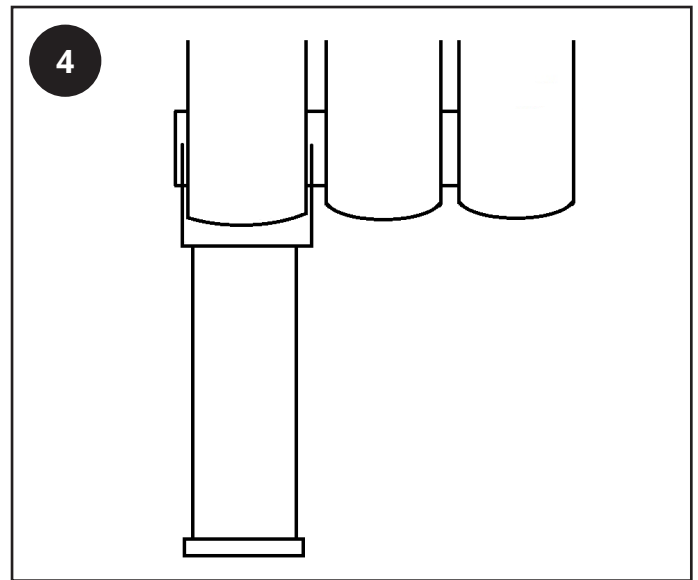
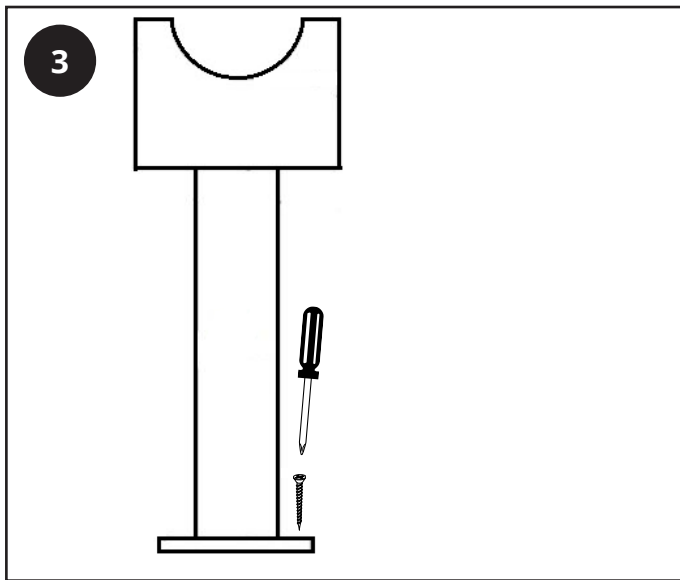
1. Cross head screwdriver
2. Drill

1



2





## Aftercare

Clean any marks with a soft dry cloth, for stubborn stains please clean with mild soapy water and buff out with a soft cloth. DO NOT use abrasive or acidic cleaners, if you are unsure, please contact us first.

## Your Guarantee

- To find the specific guarantee for your product please refer to the website
- The guarantee starts from the date of purchase.
- The guarantee covers you against issues caused as a result of manufacturing related issues, it does not apply to issues that are found to be a result of poor installation.
- Labour costs for installation of the product are not covered and the guarantee does not cover you for consequential loss.

## Recycling and Disposal

Please recycle the packaging in accordance with your local government regulations on waste handling, and follow the same advice at the end of the products life.

Product - Steel.

Packaging - Cardboard, plastic.

## Contact us

LDG  
Unit 1&2  
Burnley  
BB11 5UB