

# Electric Stove Heater Installation & Safety Information

## Installation Guide

### **Contents**

Intended Use & safety Information **Page 2**

General Information **Page 2**

Placement **Page 3**

Fitting the Feet **Page 3**

Heater Controls **Page 3**

Operation Instructions **Page 3**

ERP Requirements **Page 4**

Your Guarantee **Page 5**

Aftercare **Page 5**

Recycling and Disposal **Page 5**

Contact us **Page 5**

**This product is only suitable for well insulated spaces or occasional use.  
WARNING: READ THIS OWNER'S MANUAL CAREFULLY BEFORE USE**



# Intended Use & safety Information

---

## **Please read carefully...**

When using this electrical appliance, basic precautions should be followed to reduce the risk of fire, electric shock, and injury to person, including the following:

This heater must be used on an AC supply only and the voltage marked on the heater must correspond to the supply voltage.

Do not switch the appliance on until it properly installed as described in this manual.

The heater must not be located immediately below a socket outlet.

Do not leave the appliance switched on when leaving your home or going to sleep.

Do not leave unattended when plug in to the mains supply.

This heater is not intended for use by children. Never leave unsupervised children where the heater is left switched ON (I) or unguarded.

Only use the appliance for domestic purposes and in the way indicated in these instructions.

From time to time check the cord for damages. Never use the appliance if the cord or any part of the appliance shows any signs of damage.

If the supply cord is damaged, it must be replaced by the manufacturer, its service agent or similarly qualified persons in order to avoid a hazard.

Do not use this heater in the immediate surroundings of a bath, a shower or a swimming pool.

Do not cover or obstruct any of the heat outlet grilles or the air intake openings of the heater.

Keep the heater clean. Do not allow any objects to enter any ventilation or exhaust opening as this may cause electric shock, or fire or damage to the heater.

Make sure the connection cord does not touch any hot surfaces.

Keep the appliance at least 100cm (1.0m) from walls and any other combustible materials.

Do not use the appliance outdoors

Never move the appliance by pulling the cord.

Before cleaning the appliance, make sure it is unplugged from the mains power and that it is completely cool

Do not clean the appliance with abrasive or chemicals.

Never use accessories that are not recommended or supplied by the manufacturer.

Never route the mains cable beneath carpet.

Never use aerosols or similar close to the heater.

Never use the heater to dry clothes or any other similar items.

In order to avoid a hazard due to inadvertent resetting of the thermal cut cut-out, this appliance must not be supplied through an external switching device, such as a timer, or connected to a circuit that is regularly switched on and off by utility. This heater must not be used with an extension lead.

Do not use this heater with a programmer, timer or any other device that switches the heater on automatically, since a fire risk exists if the heater is covered or positioned incorrectly.

Children should be supervised to ensure that they do not play with the appliance.

This appliance can be used by children aged from 8 years and above and persons with reduced physical, sensory or mental capabilities or lack of experience or knowledge if they have been given supervision or instruction concerning use of the appliance in a safe way and understand the hazards involved.

Cleaning and user maintenance shall not be made by children without supervision.

Children of less than 3 years should be kept away unless continuously supervised.

Children aged from 3 years and less than 8 years shall only switch on/off the appliance provided that it has been placed or installed in its intended normal operating position and they have been given supervision or instruction concerning use of the appliance in a safe way and understand the hazards involved. Children aged from 3 years and less than 8 years shall not plug in, regulate and clean the appliance or perform user maintenance.

**WARNING:** This heater is not equipped with a device to control the room temperature. Do not use this heater in small rooms when they are occupied by persons not capable of leaving the room on their own, unless constant supervision is provided. There may be trace of odor during the first few minutes of initial use. This is normal and will quickly disappear.

**CAUTION:** Some parts of this product can become very hot and cause burns. Particular attention has to be given where children and vulnerable people are present.

**WARNING:** In order to avoid overheating, do not cover the heater.

The heater shall not be located in front of a socket-outlet.

Use this heater on a horizontal and stable surface, or fix it to the wall, as applicable.

**WARNING:** To reduce the risk of fire, keep textiles, curtains, or any other flammable material a minimum distance of 1 m from the air outlet.

## General Information

Do not throw away packaging until you have located and confirmed that you have all included parts and the product is in good condition.

Check the device for damage before installation and on a regular basis.

If any damaged is found on the appliance or power cord it should not be used.

Keep the power cord away from any hot surfaces of the radiator.

This Heater has no serviceable parts, never dismantle the heter as this will invalidate the warranty and could lead to injury.

Please read the full manual before installing.

# Placement

This heater is designed to be placed on a hard, level surface. When positioning, please keep the following points in mind: If you are placing the heater in an alcove, make sure that there is at least 150mm of space on all sides to ensure good air circulation. The heater must not be located over a fixed electrical socket. The socket must always be accessible in order to disconnect the heater from the electrical supply for maintenance.

Keep rugs and other soft furnishings at least 1m away from the front of the heater. They could obstruct the free flow of hot air from the fan and damage both soft furnishings and heater.

## Fitting the Supplied Feet

Ensure that the heater is not plugged in and is completely cooled.

Carefully turn the heater over so that the underside is facing upwards.

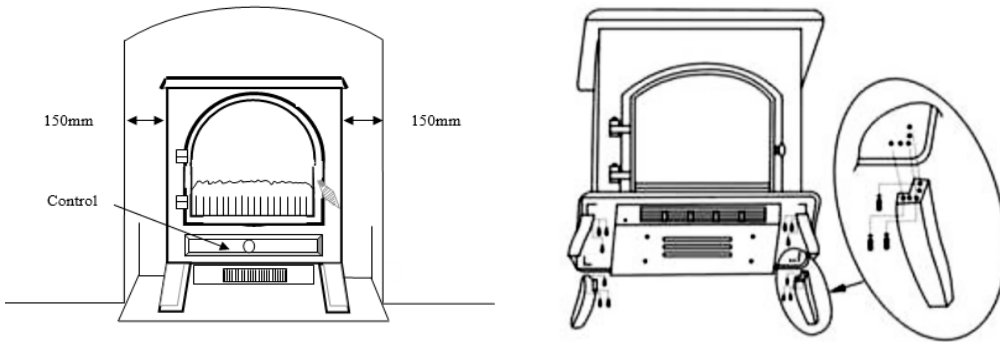
Place on a soft surface so as to not scratch the top.

Place one of the heater feet against a corner of the underside of the heater, ensuring that the screw holes are aligned with the thread in the heater.

Secure the feet to the heater using the three supplied screws.

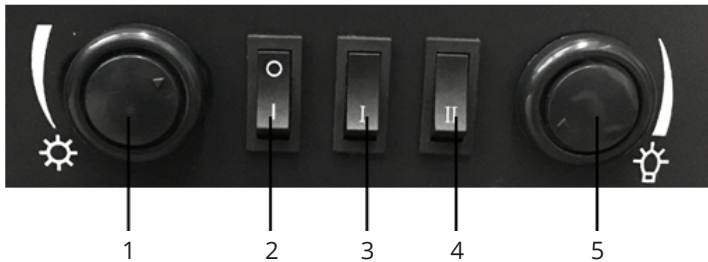
Tighten them evenly to avoid the foot becoming skewed.

Repeat steps 3-4 for each of the three remaining foot, until all four are securely attached.



# CONTROLS

Never cover the heater or obstruct the opening at the base of the heater, this could cause overheating and consequently risk of fire. The control switches are located under the controls cover, on the front of the heater.



1. Thermostat knob - Adjust to maintain room temperature
2. Flame switch - Turn on/off for flame/fuel effect
3. Heater switch - Turn on/off for one of 925W heat setting
4. Heater switch - Turn on/off for one of 925W heat setting
5. Flame dimmer knob - Adjust to set flame intensity

## OPERATION INSTRUCTIONS

Insert plug into mains socket that is in good condition and correctly rated for the heater.

Open the control cover.

Select the desired functions:

Flame/fuel effect on/off (2)

Low heat setting 925W (2 + 3)

High heat setting 1850W (2 + 3 + 4)

Heating and Flame effect (1 + 2 + 3 + 4 + 5)

To increase or decrease the flame intensity rotate the flame dimmer knob (5) clockwise or anti-clockwise.

To increase or decrease the room temperature rotate thermostat knob (1) clockwise or anti-clockwise.

Notice: Heater will only work if the flame switch (2) is on and thermostat (1) is set above current room temperature.

## Thermal Cut Out

This appliance is fitted with a safety cut-off which will operate if the heater overheats (e.g. Due to blocked air vents). For safety reasons, the heater will NOT automatically reset. To reset the appliance, disconnect the appliance from the mains supply for at least 15 minutes. Reconnect the supply to the mains and switch on the appliance.

## Bulb Replacement

The bulbs inside the heater is LED's and not replaceable.

## Trouble Shooting

No heat or light: Check the wall socket by plugging in a working appliance, if the socket is functional it may be the cord or plug of the heater that is faulty.

Light but no heat: Check that the thermostat on the heater is set above the current room temperature. Alternatively, the thermal cut out may have engaged - see thermal cut out section.

# CONFORMITY WITH DIRECTIVES

This product is CE marked to denote conformity with Directives 2014/35/EU (Low Voltage) and the EMC directive (2014/30/EU), as amended.

## ERP Requirements

Contact	LDG, Unit 1 & 2 Dawson Court, Burnley, BB115UB				
Model	EFSTO6548415BLA, EFSTO6548415GRY, EFSTO6548415WHI				
Item	Symbol	Value	Unit	Item	Unit
<b>Heat output</b>				<b>Type of heat output / room temperature control (select one)</b>	
Nominal heat output	P <sub>nom</sub>	1.85	kW	single stage heat output and no room temperature control	No
Minimum heat output (indicative)	P <sub>min</sub>	0.925	kW	two or more manual stages, no room temperature control	No
Maximum continuous heat output	P <sub>max,c</sub>	1.85	kW	with mechanic thermostat room temperature control	Yes
<b>Power consumption</b>				with electronic room temperature control	No
In off mode	P <sub>o</sub>	0	kW	electronic room temperature control plus day timer	No
In standby mode	P <sub>sm</sub>	N/A	kW	electronic room temperature control plus week timer	No
In idle mode	P <sub>idle</sub>	N/A	kW	<b>Other control options (multiple selections possible)</b>	
In network standby	P <sub>nsm</sub>	N/A	kW	room temperature control, with presence detection	No
Standby mode with display of information or status		No		room temperature control, with open window detection	No
Seasonal space heating energy efficiency in active mode	η <sub>S,on</sub>	85	%	distance control option	No
				adaptive start control	No
				working time limitation	No
				black bulb sensor	No
				self-learning functionality	No
				control accuracy	No



**Do not Cover  
Risk of overheating**



# Your Guarantee

To find the specific guarantee for your products please refer to the website.

The guarantee starts from the date of purchase.

The guarantee covers you against issues caused as a result of manufacturing related issues, it does not apply to issues that are found to be a result of poor installation.

Labour costs for installation of the products are not covered under this warranty.

# Aftercare

Clean any marks with a soft, dry or damp cloth, for stubborn stains please clean with mild soapy water and dry with a soft cloth. DO NOT use abrasive or acidic cleaners.

If you are unsure, please contact us first.

# Recycling and Disposal

The **Waste Electrical and Electronic Equipment Directive (WEEE Directive)** is the **European Community directive 2012/19/EU on Waste Electrical and Electronic Equipment (WEEE)** which, together with the **RoHS Directive 2002/95/EC**, became European Law in February 2003.

The WEEE directive aims to reduce the amount of electrical equipment being produced and to encourage everyone to reuse, recycle and recover it.

In support of these guidelines and for environmental safety, do not dispose of any electrical equipment including those marked with the below symbols.

When replacing old electrical devices with new ones the retailer is legally obligated to take back your old items for disposal free of charge. You can also recycle your old electrical devices free of charge at your local recycling center. Please contact your local council for more information.

Please recycle the packaging in accordance with your local government regulations on waste handling and follow the same advice at the end of the products life.

Product - Steel.

Packaging - Cardboard, plastic.

# Contact us

Unit 1 & 2 Dawson Ct

Burnley

Lancashire

BB11 5UB

