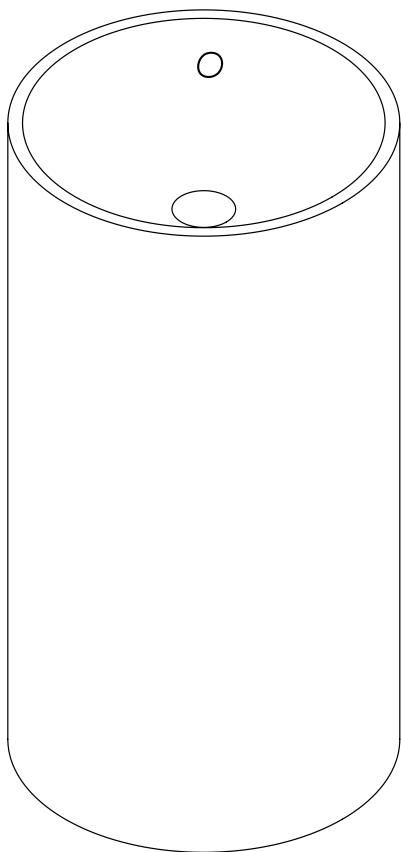


# Freestanding Basin



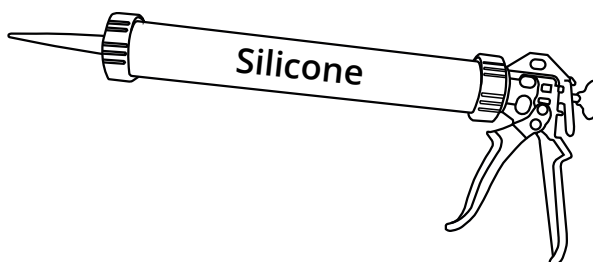
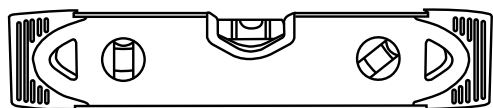
**i** Style may vary

Installation Instructions

# Installation

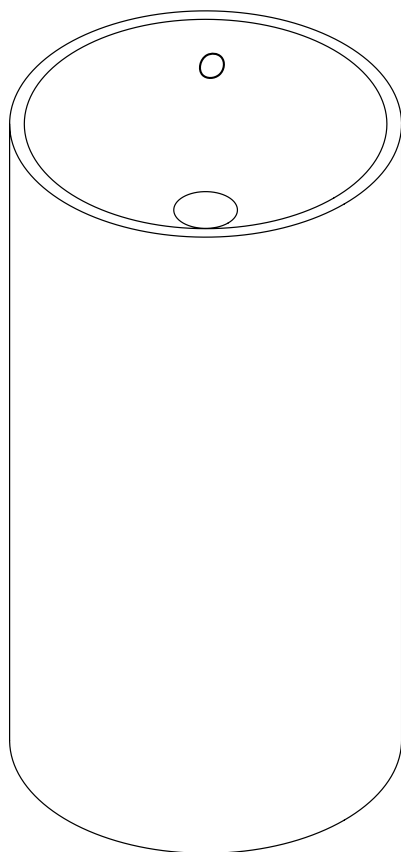
---

## *Tools required for installing:*



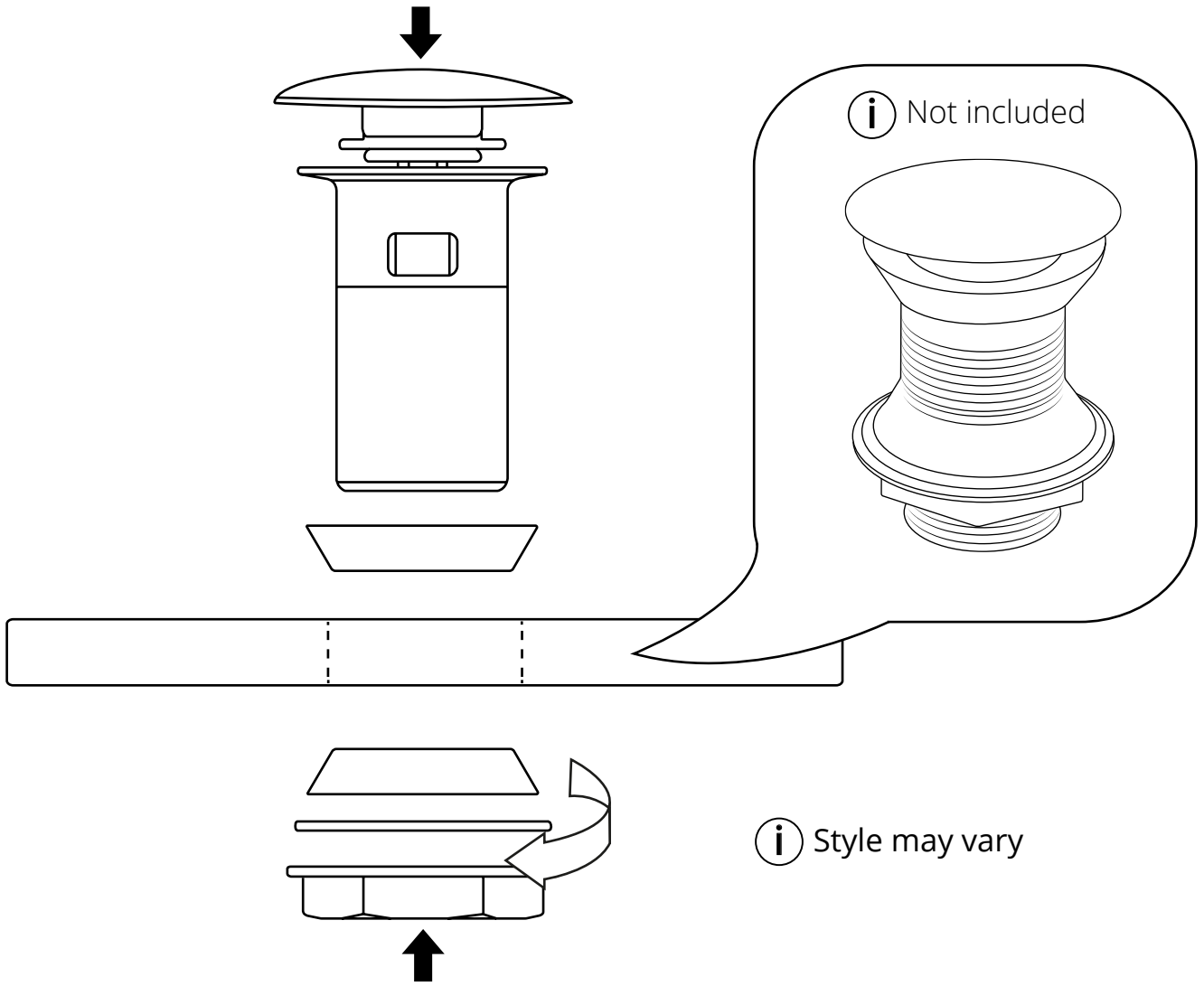
---

## *Parts included:*



**i** Style may vary

1



3

