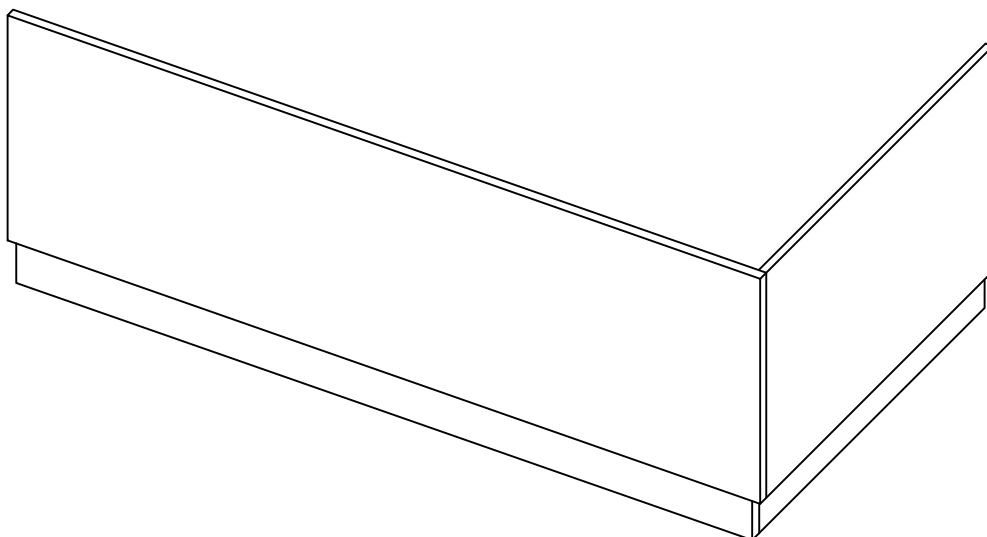



Bath Panel

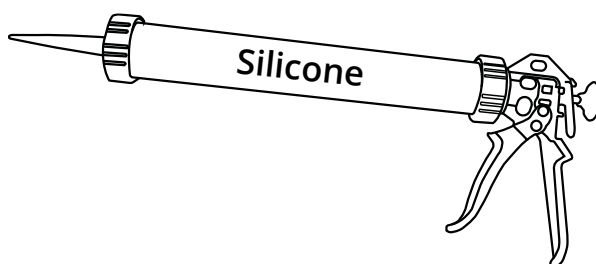
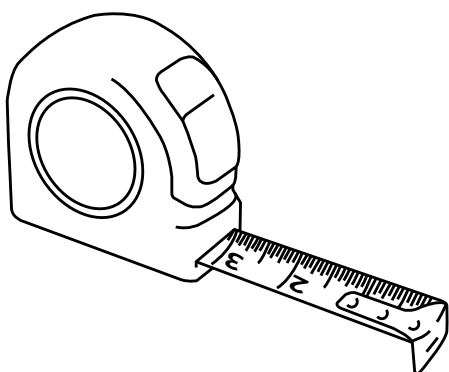
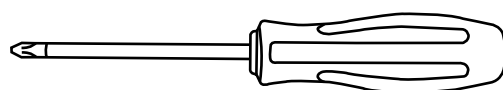
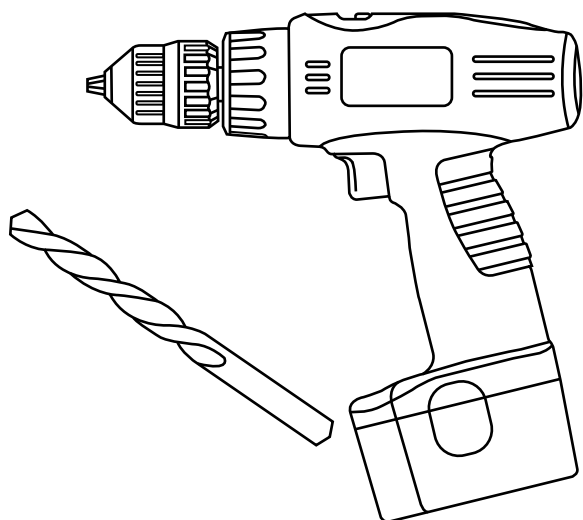


 Style may vary

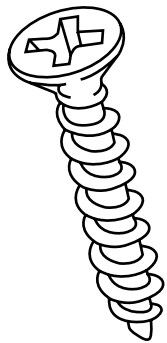
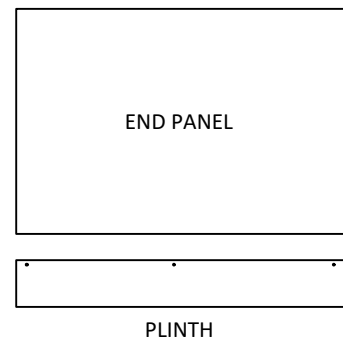
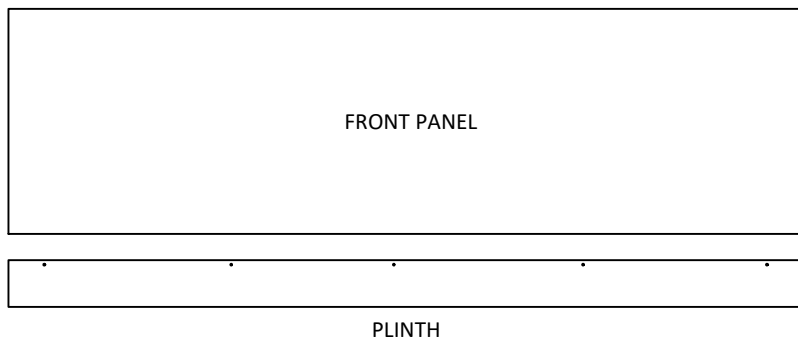
Installation Guide

Installation

Tools required for installing:

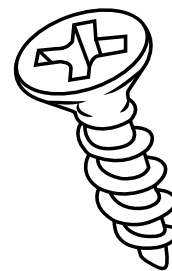


Parts included:



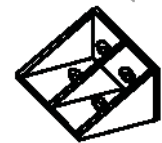
x5

ØM4x24mm



x8

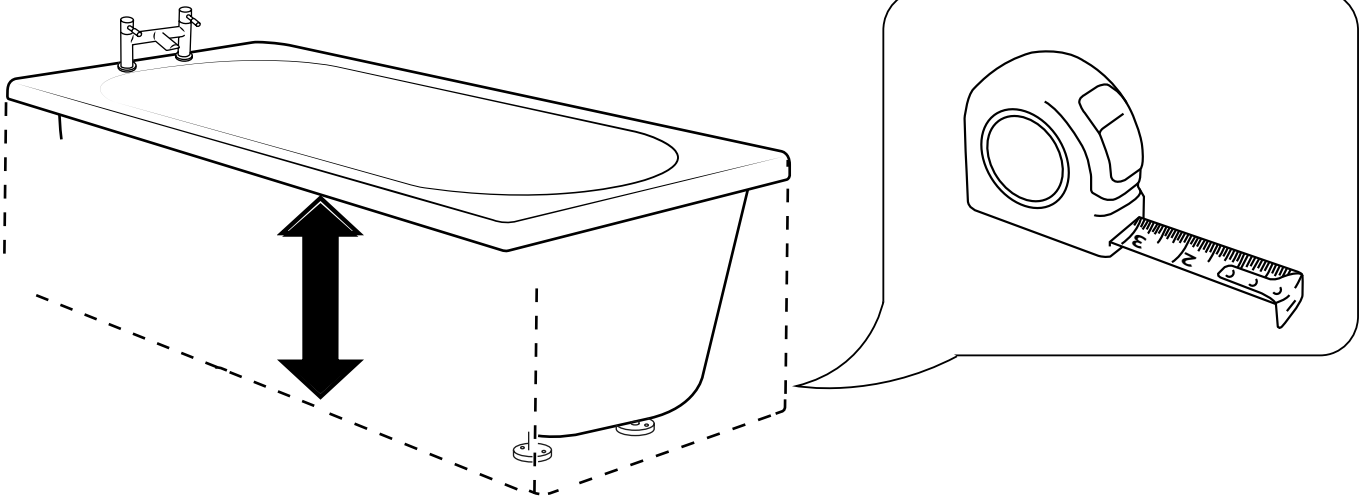
ØM4x12mm



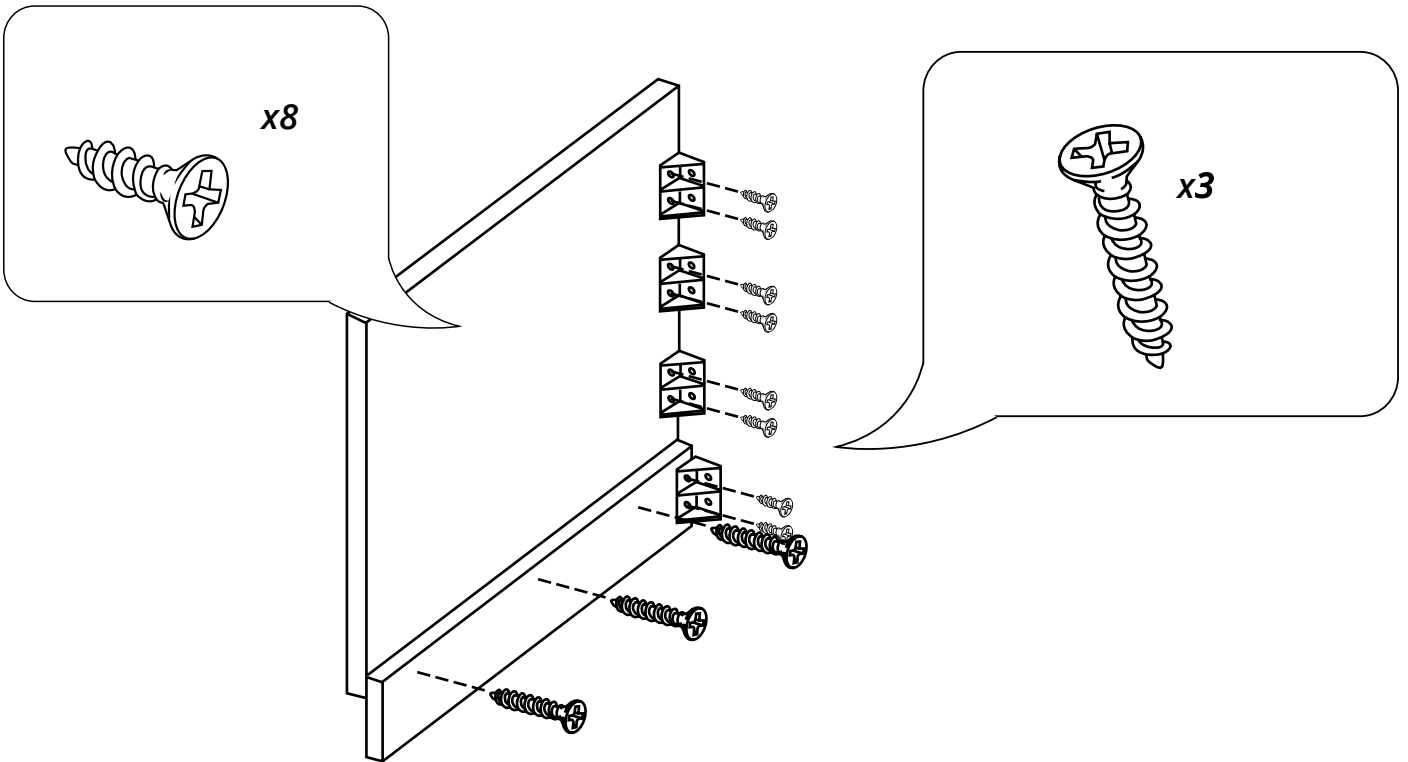
x4

- From under the bath rim measure down to the floor to establish the height of the bath panel required
- We strongly advise that a frame is built or battens are placed along the floor and up the walls to support the bath panel.
- Drill equally spaced holes along the plinth and screw to the bottom of the front panel at the desired height.
- It is necessary to make adjustments to the plinth so that the front and end panels are together for a better finish.
- Where the panels meet at the wall ensure that the finished edge is aligned at the visible corner.
- The panels are fastened together using screws and corner brackets provided once the adjustments have been made.

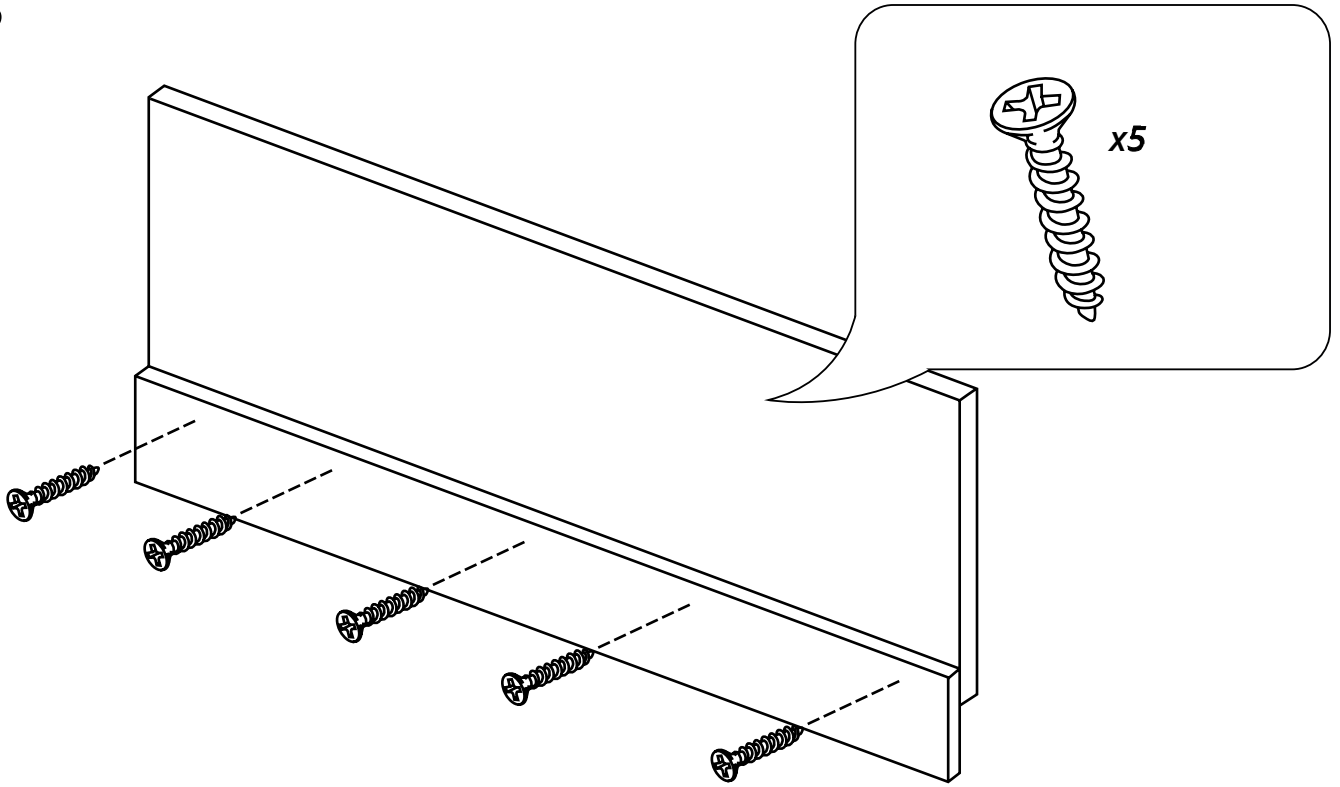
1



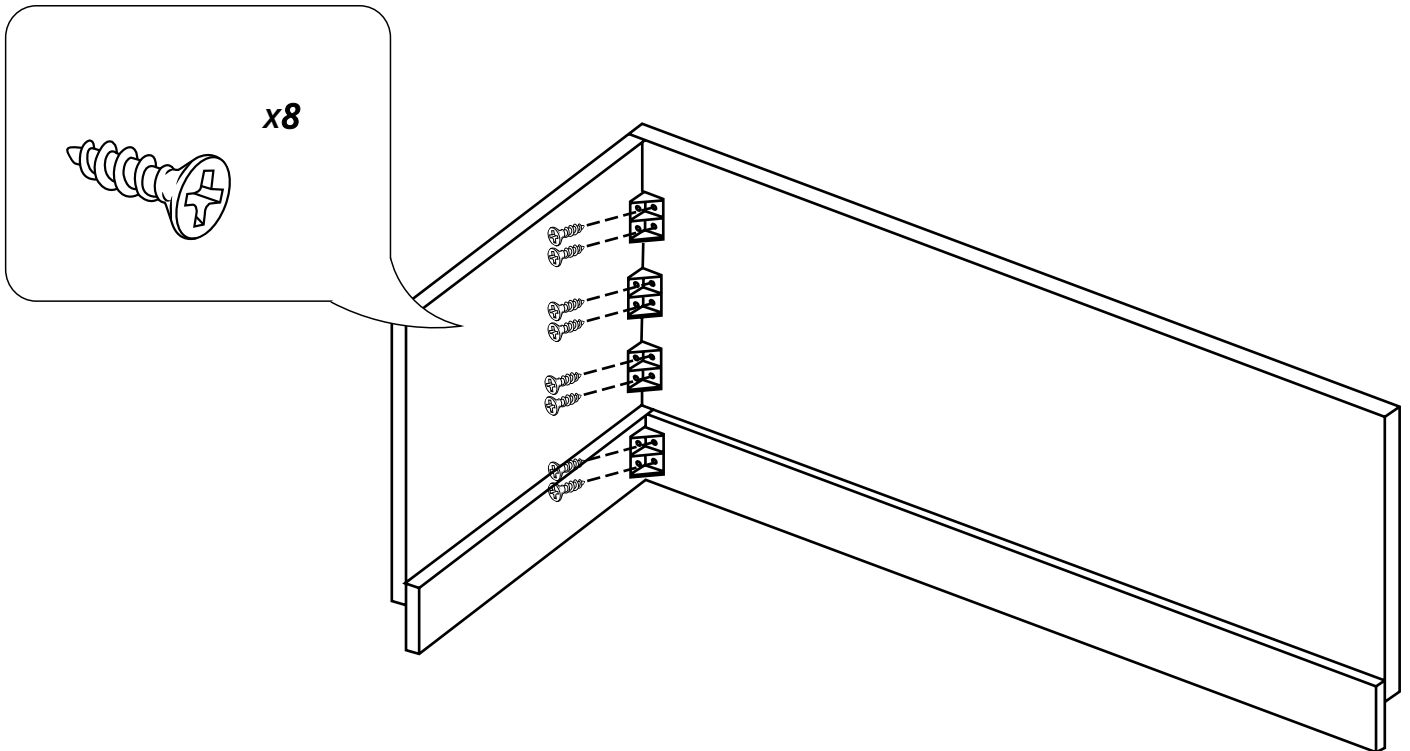
2



3



4



5

