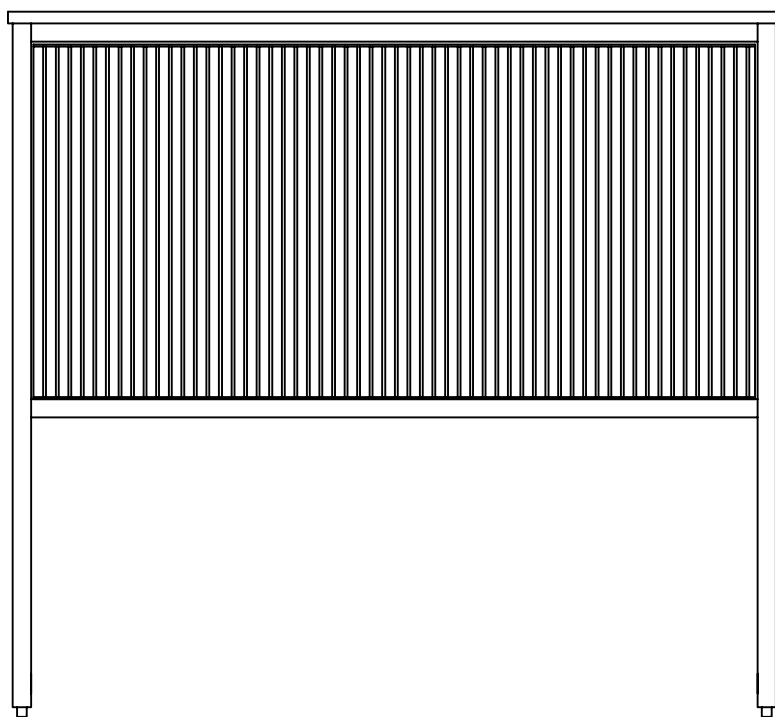


Furniture Guide



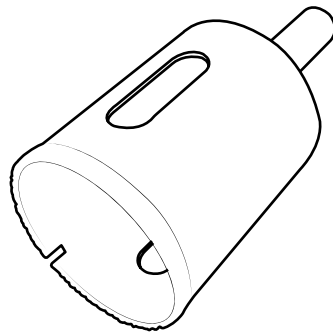
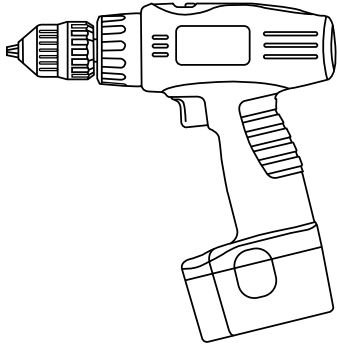
Installation Guide

Installation

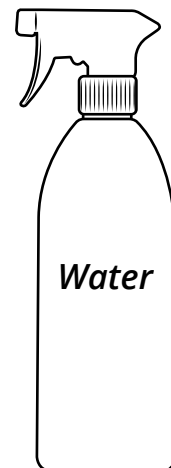
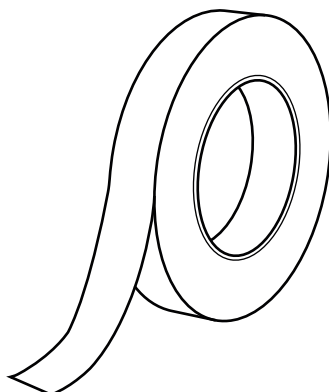
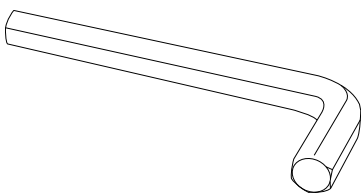
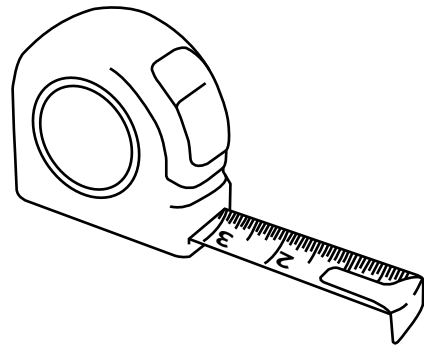
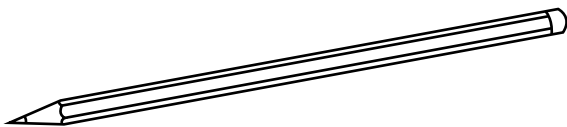
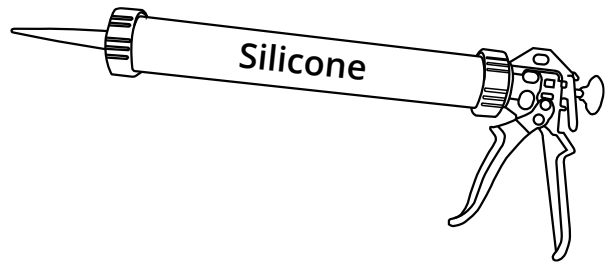


Floor standing units must be fitted back to the wall through the back rail using suitable fixings (Not supplied)

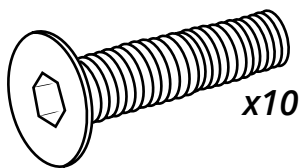
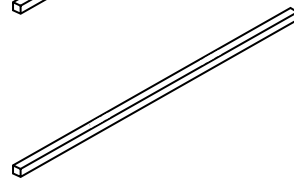
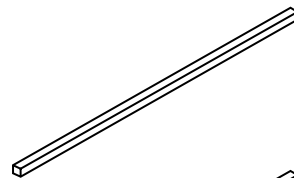
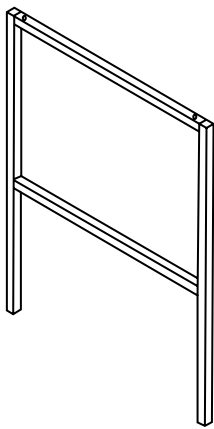
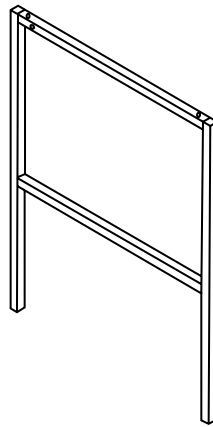
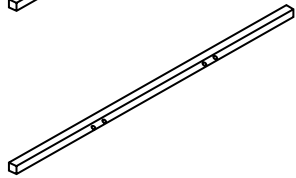
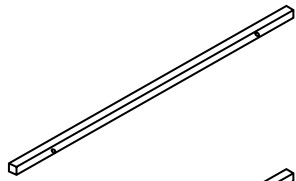
Tools required for installing:



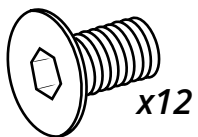
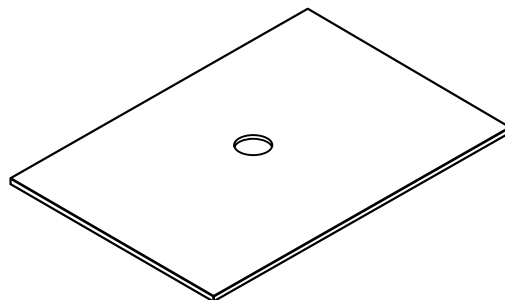
35mm



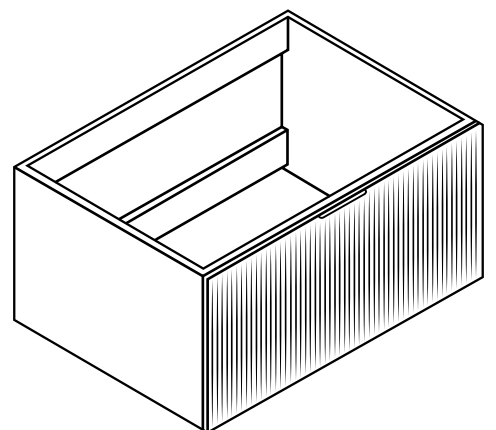
Parts included:



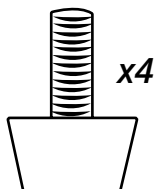
x10



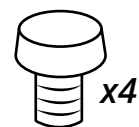
x12



x2

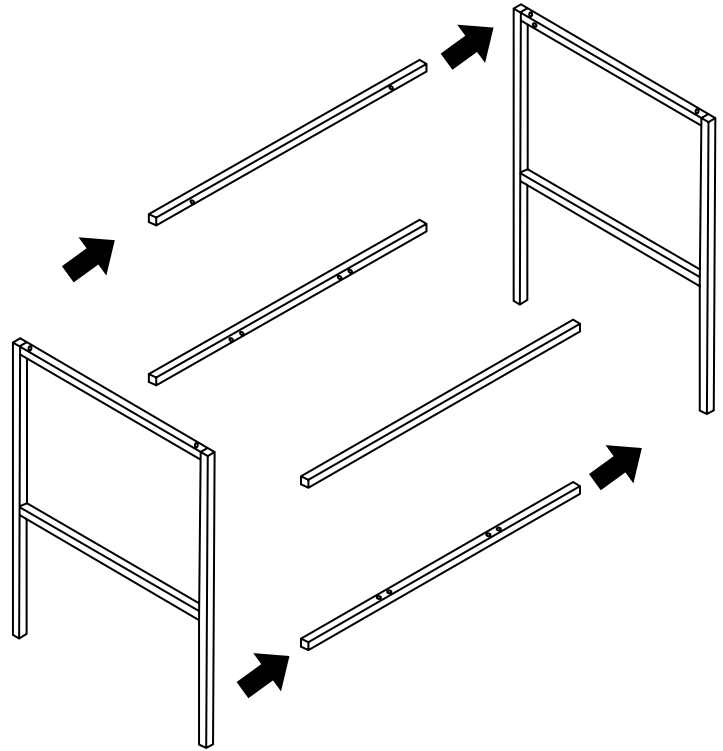
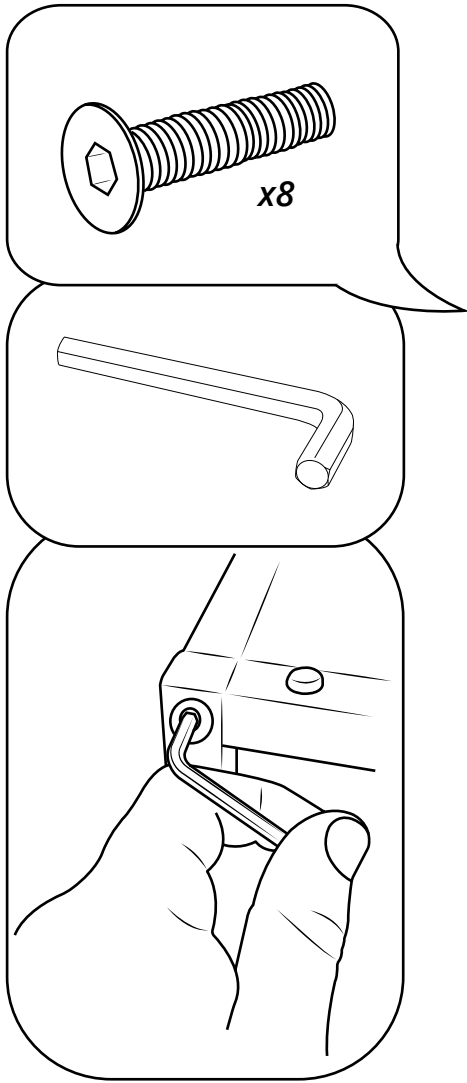


x4

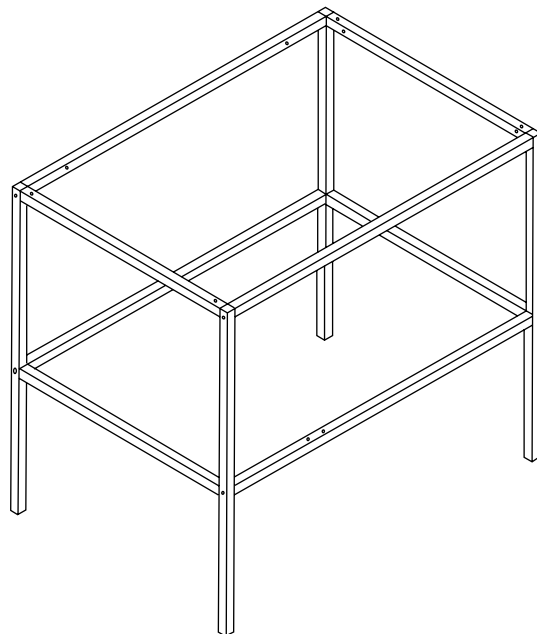


x4

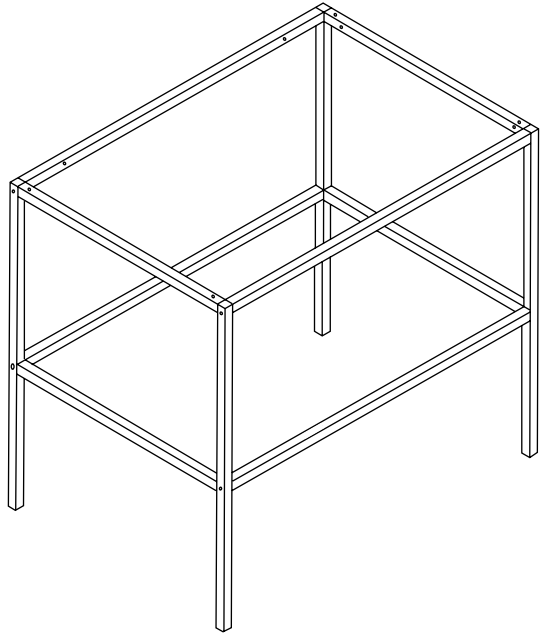
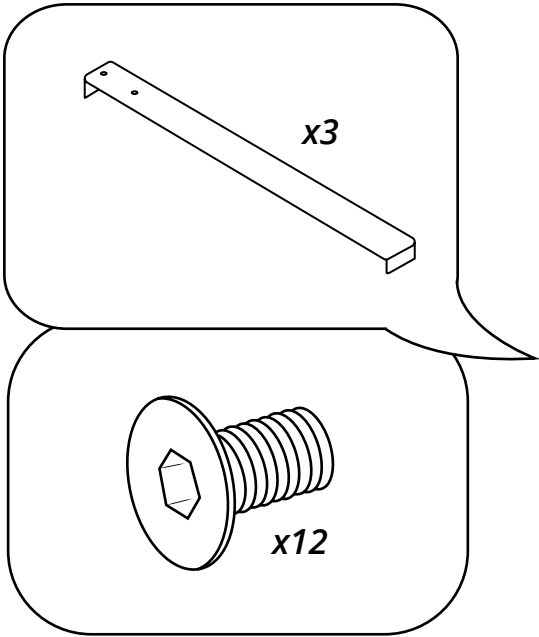
1



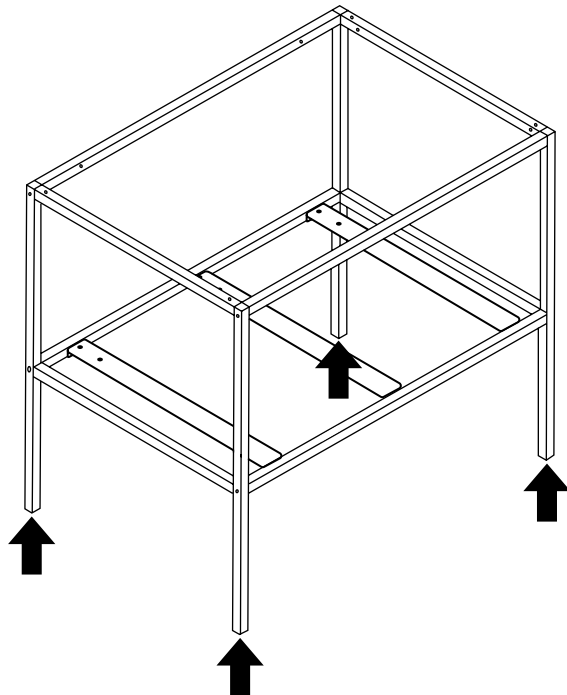
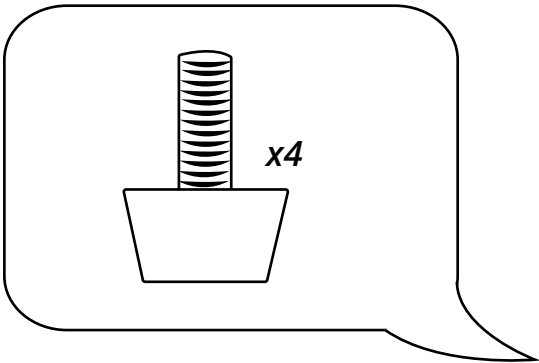
2



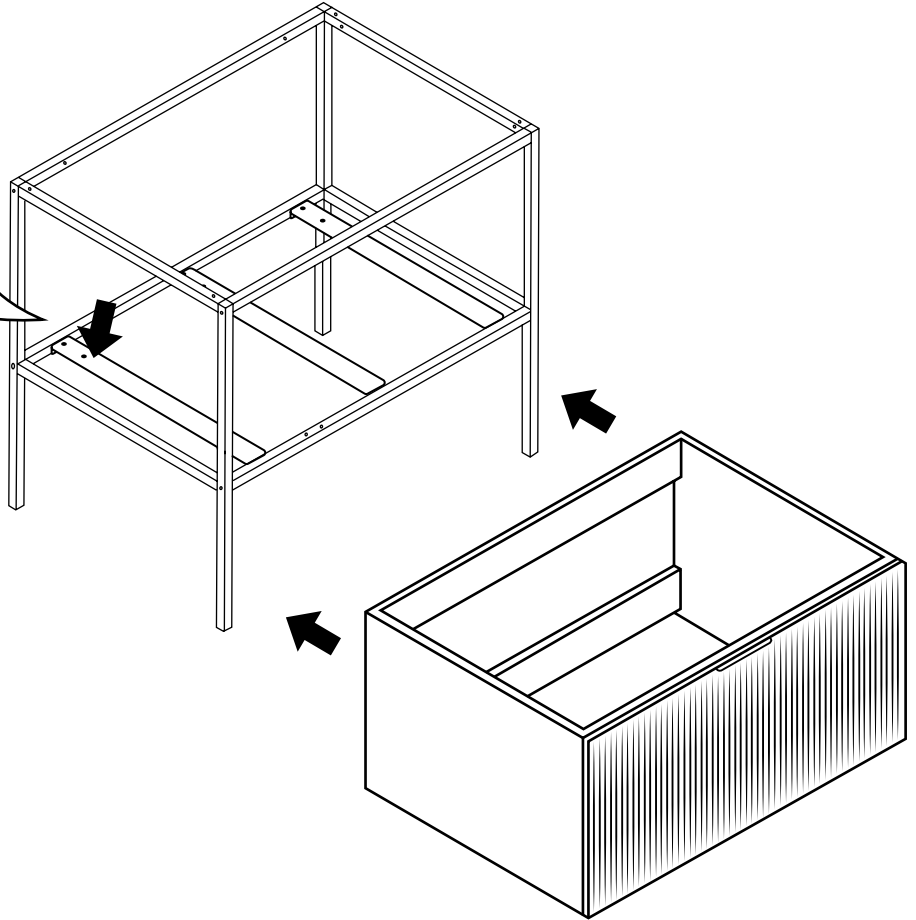
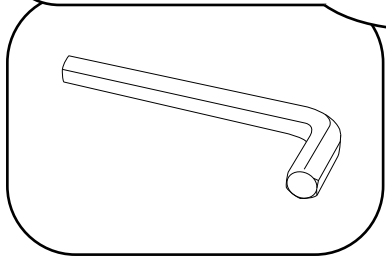
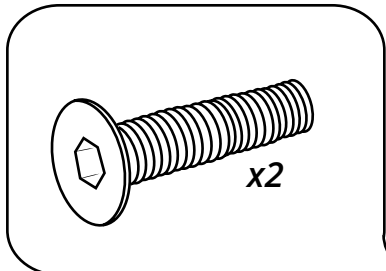
3



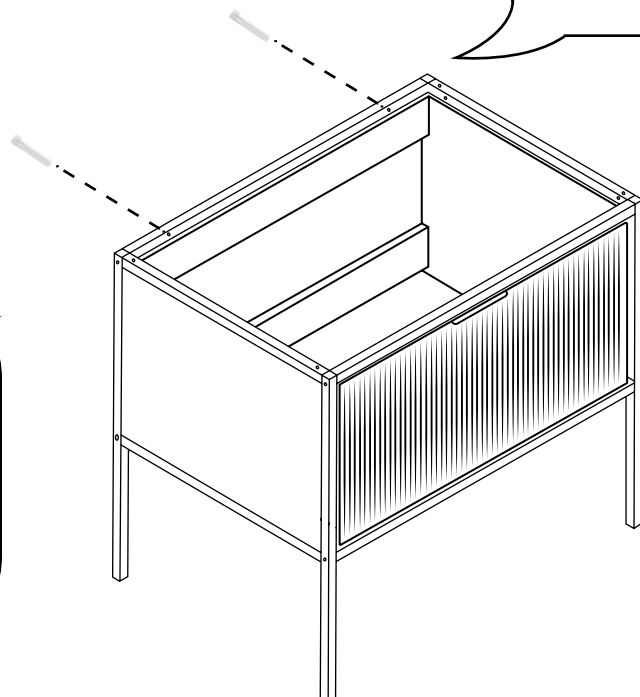
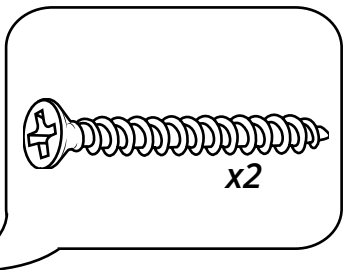
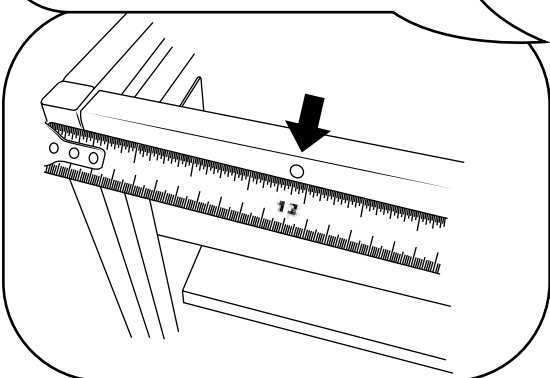
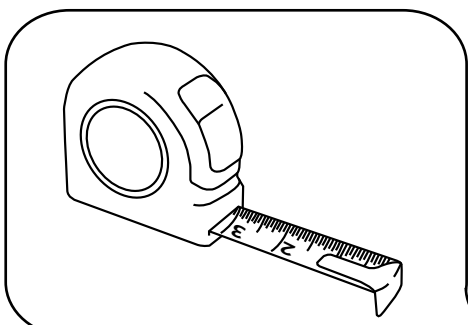
4



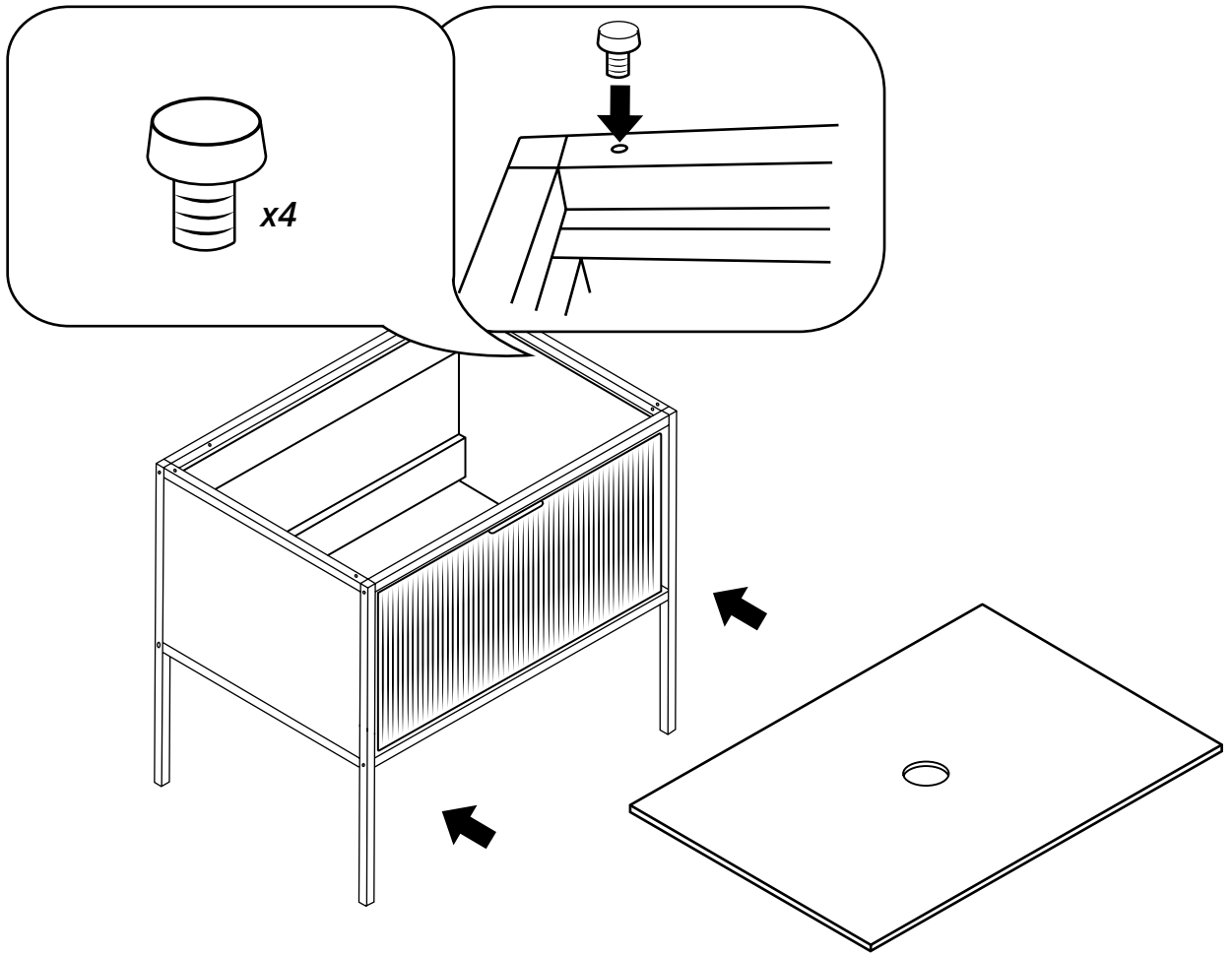
5



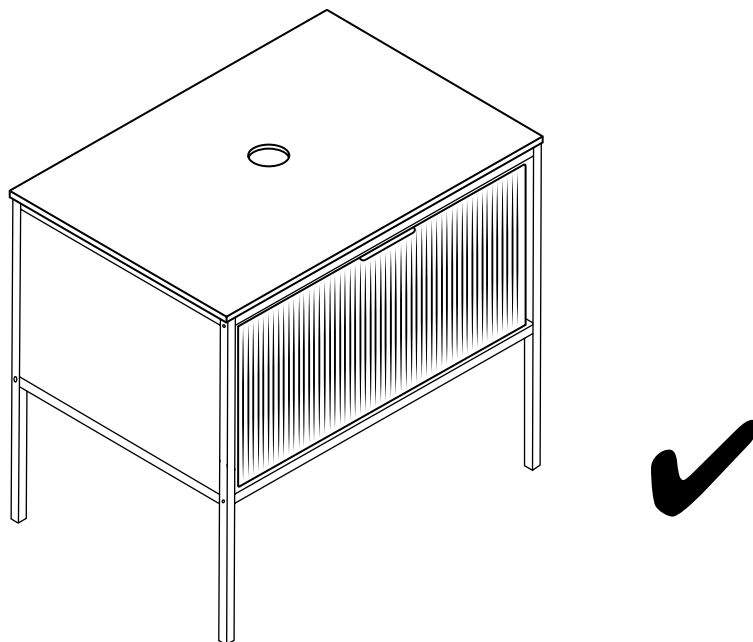
6



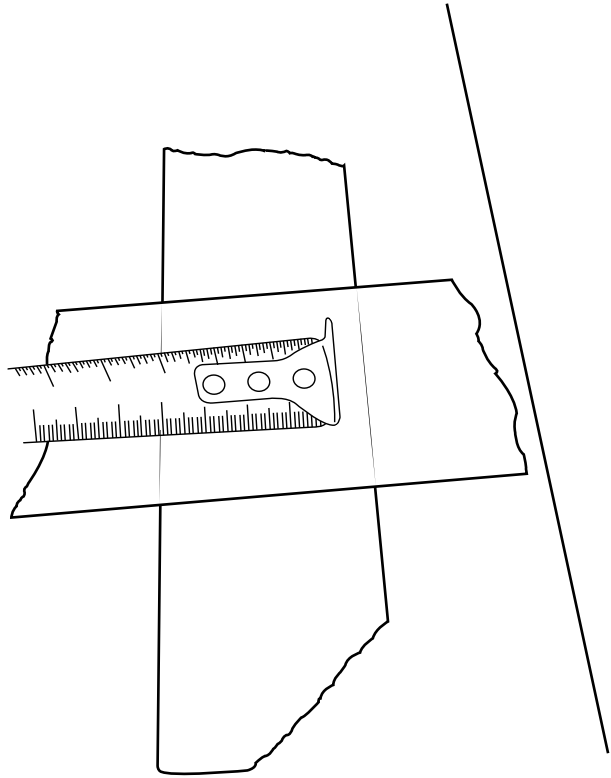
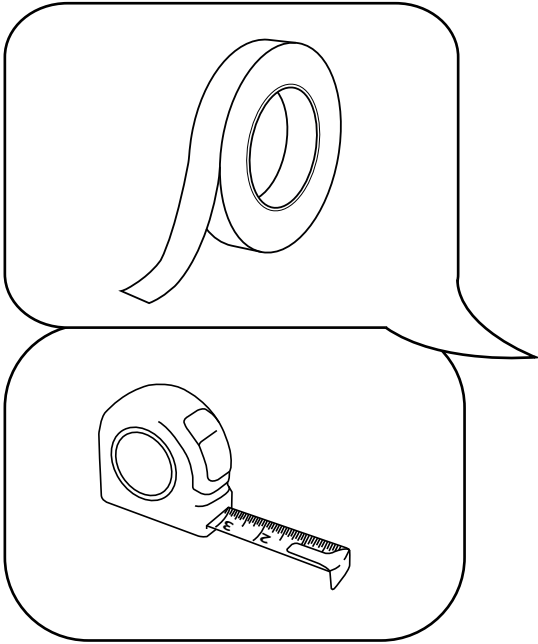
7



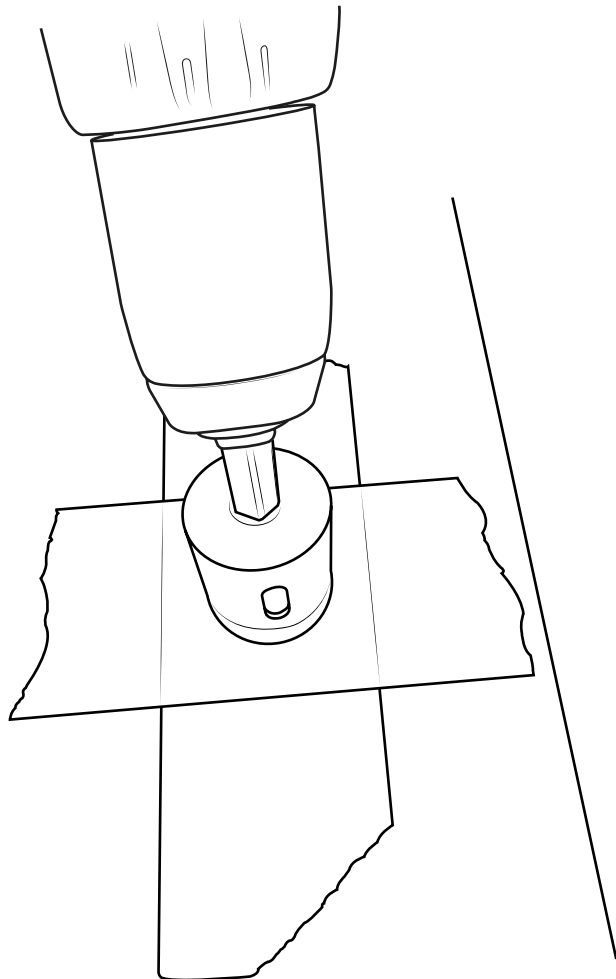
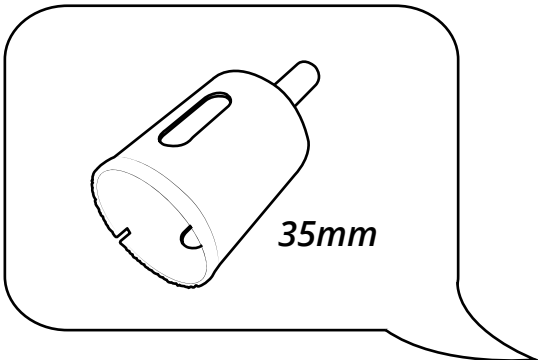
8



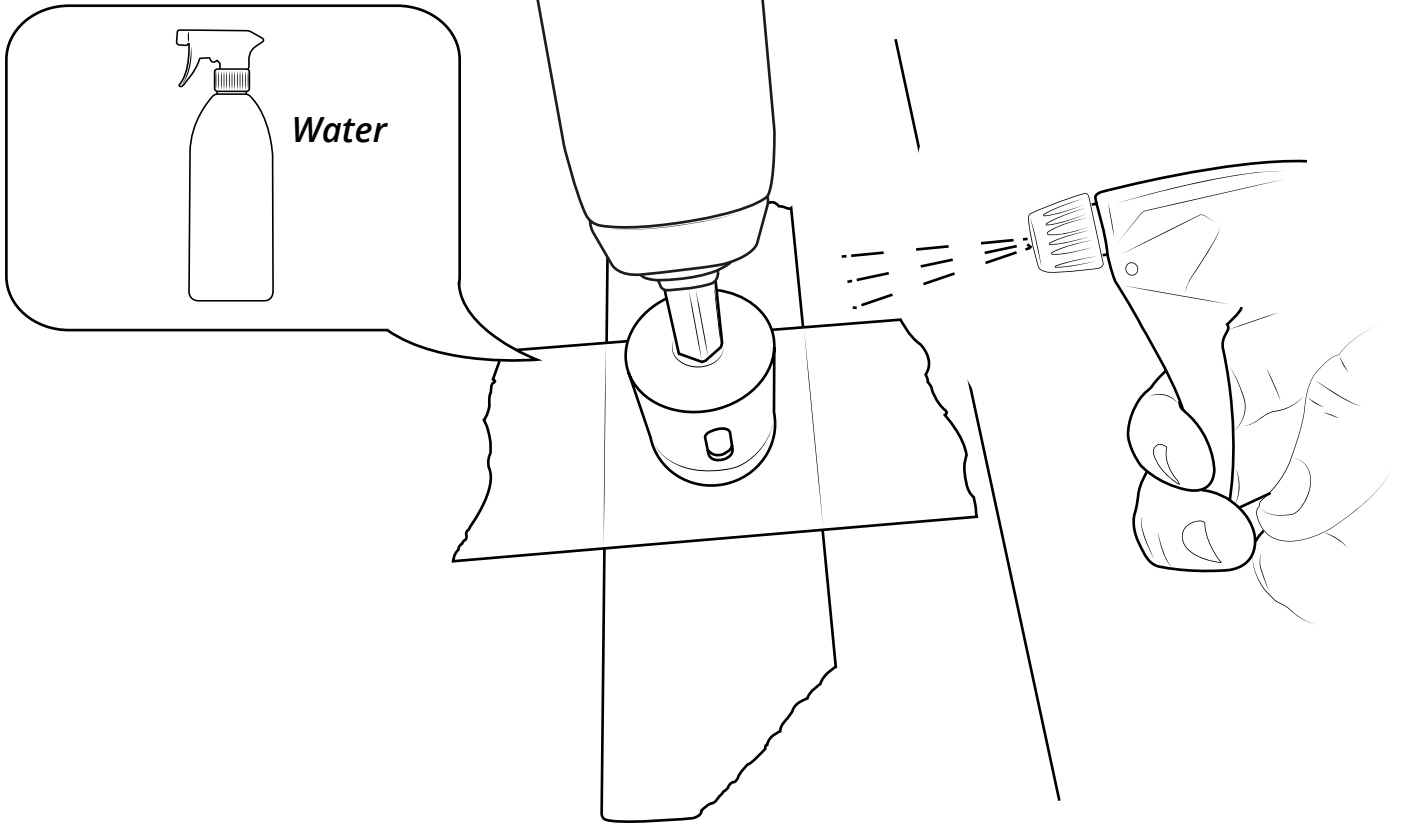
9 ⓘ Tap Hole Drilling - Optional



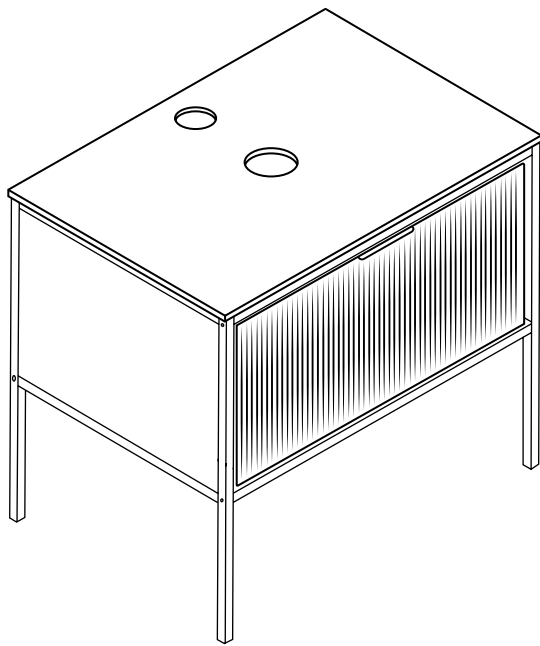
10



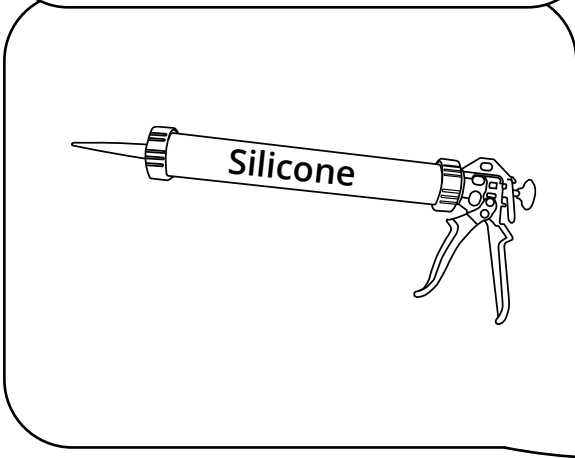
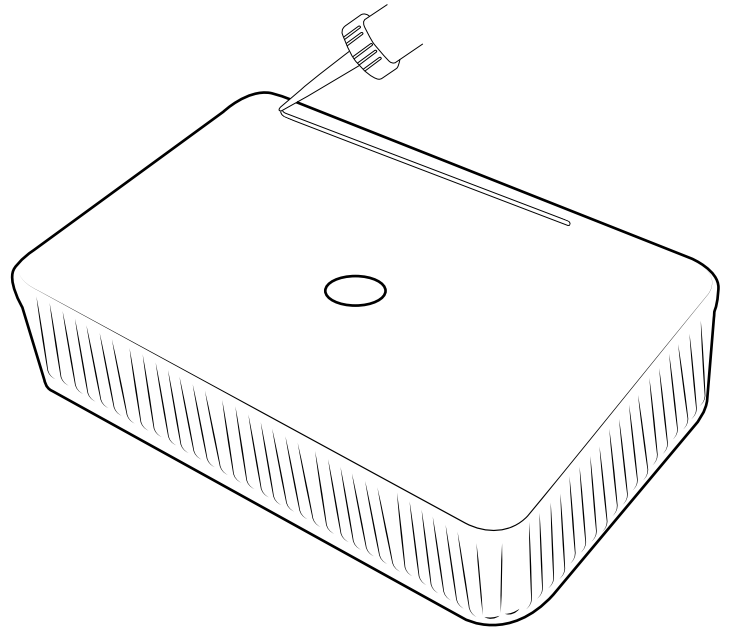
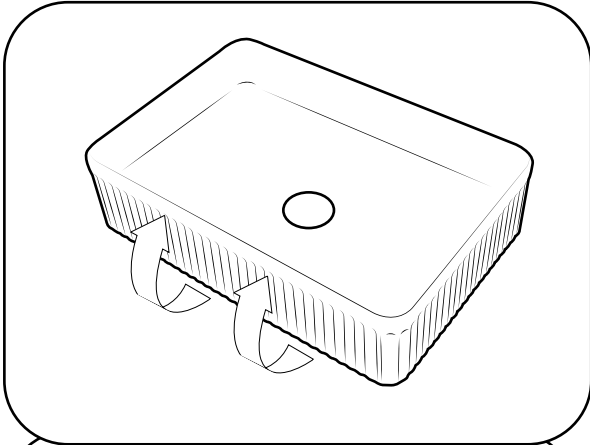
11



12

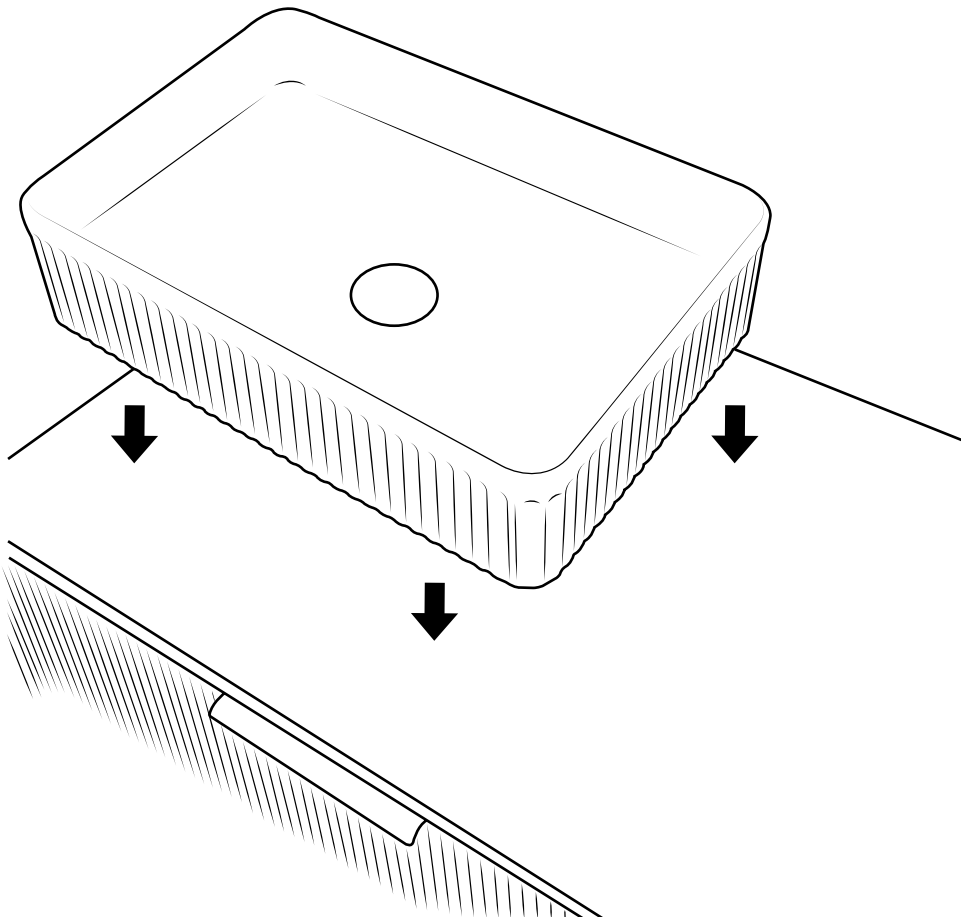


13

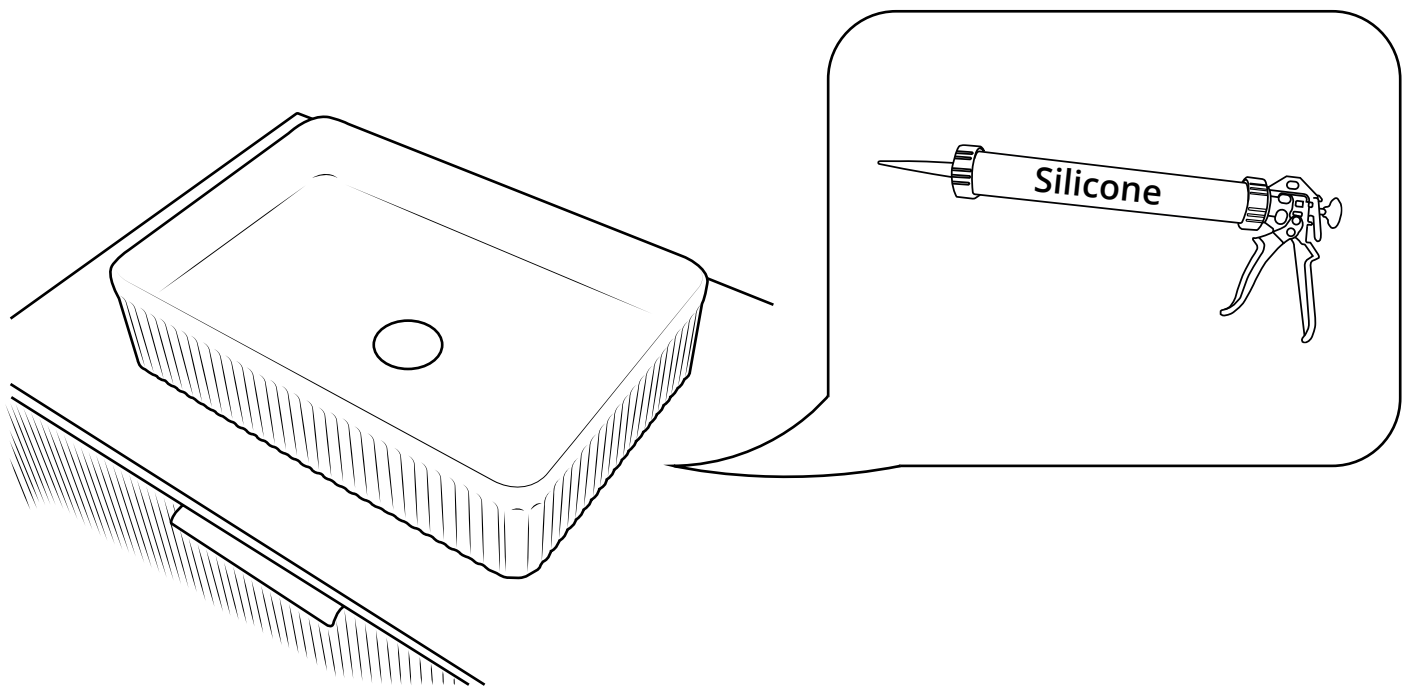


i Style may vary

14



15



16

