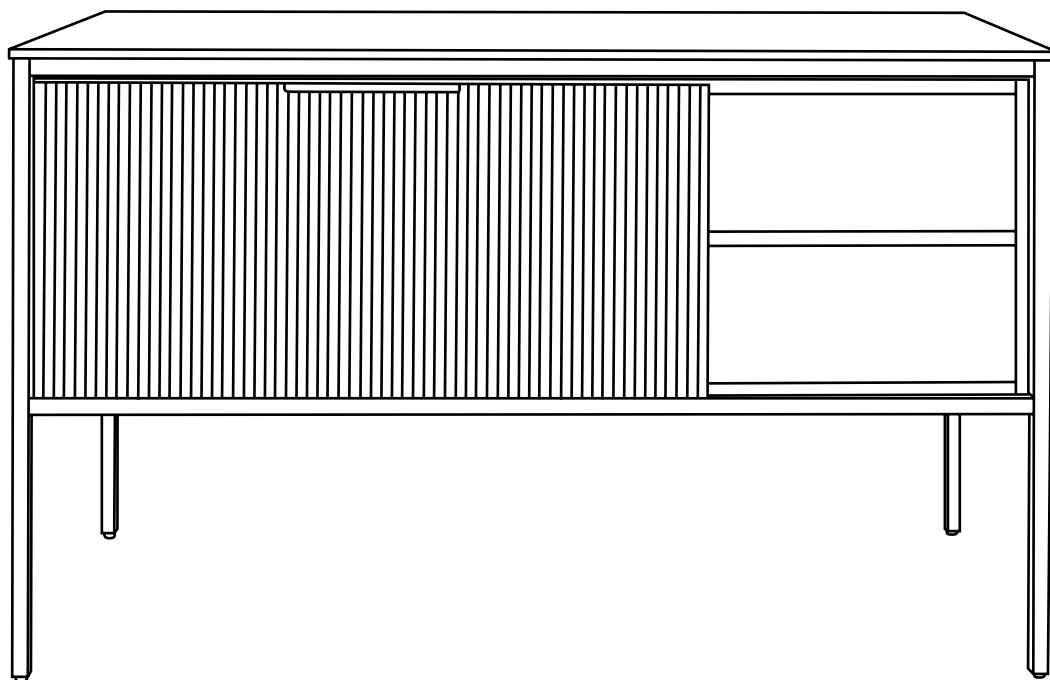


Furniture Guide



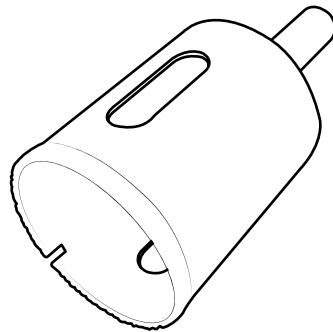
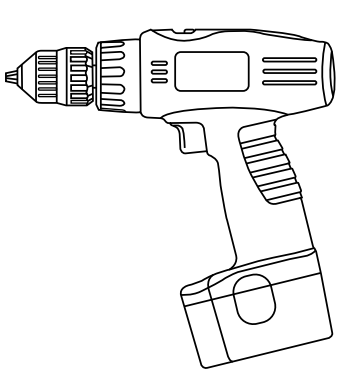
Installation Guide

Installation

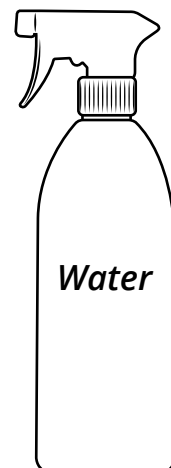
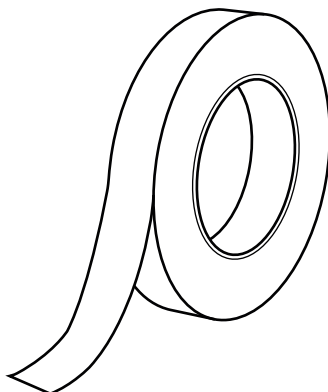
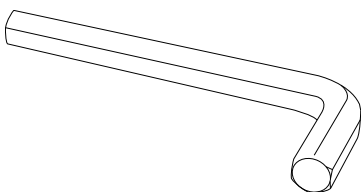
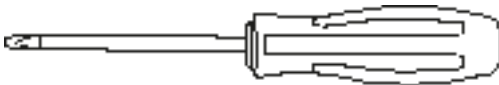
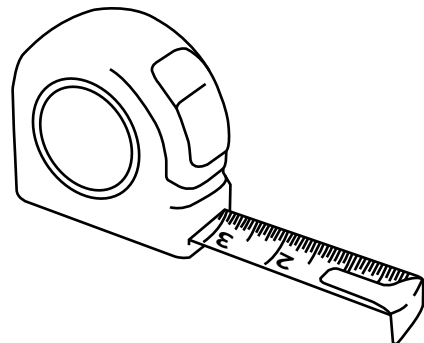
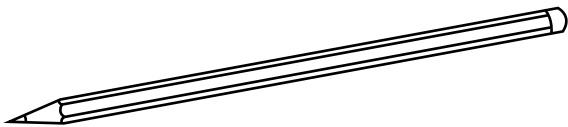
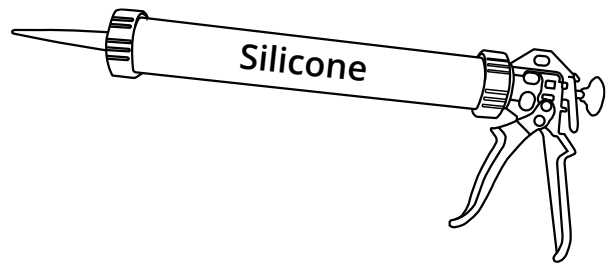


Floor standing units must be fitted back to the wall through the back rail using suitable fixings (Not supplied)

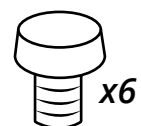
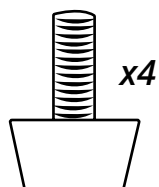
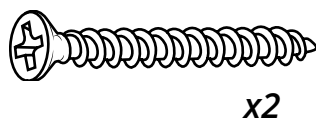
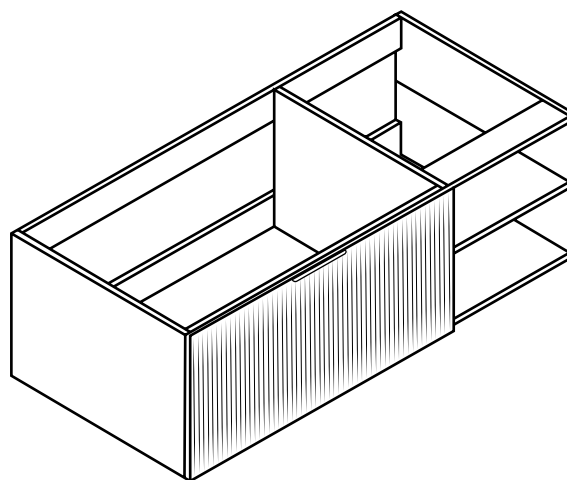
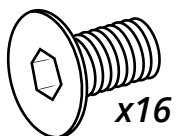
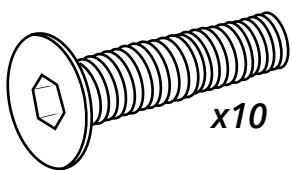
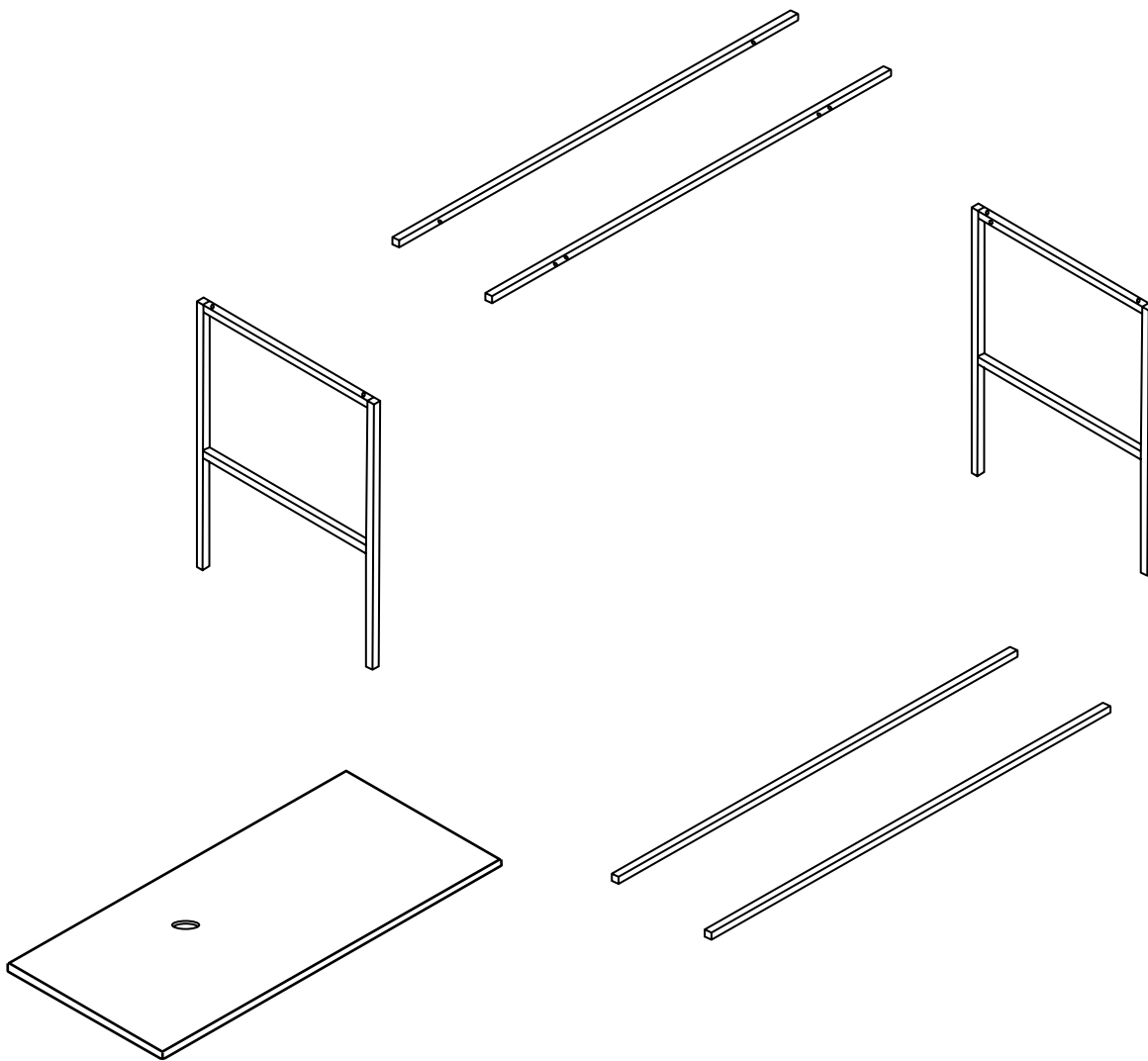
Tools required for installing:



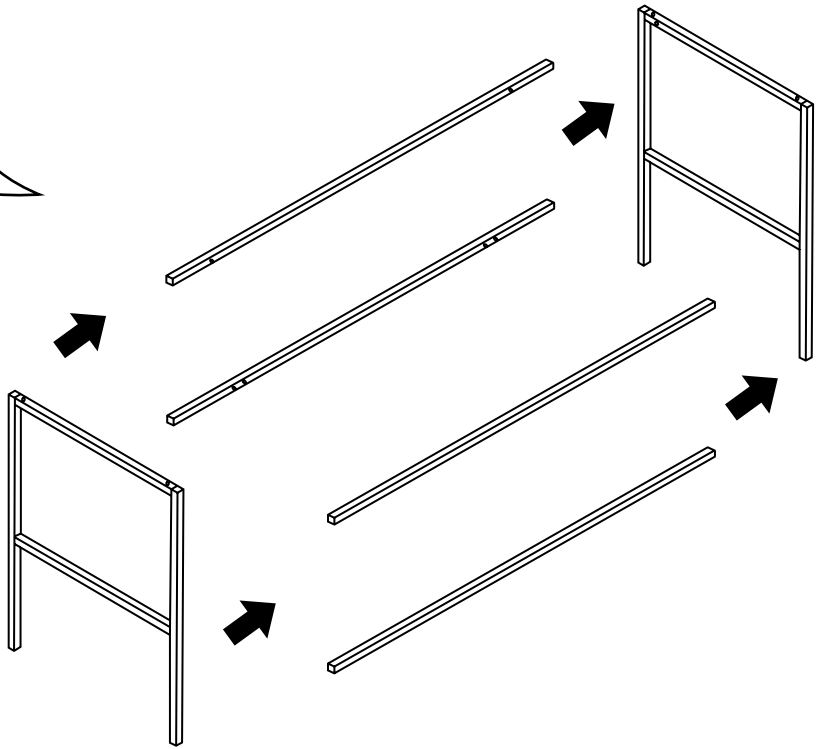
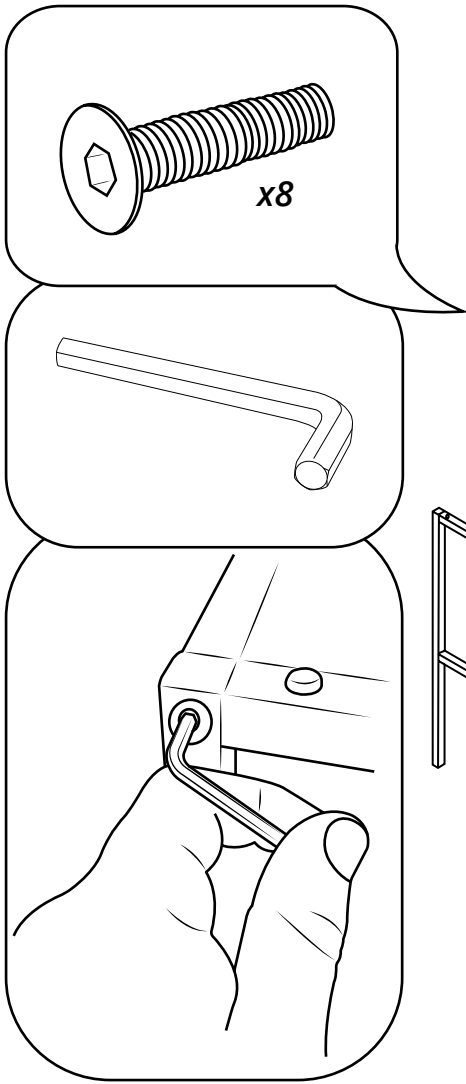
35mm



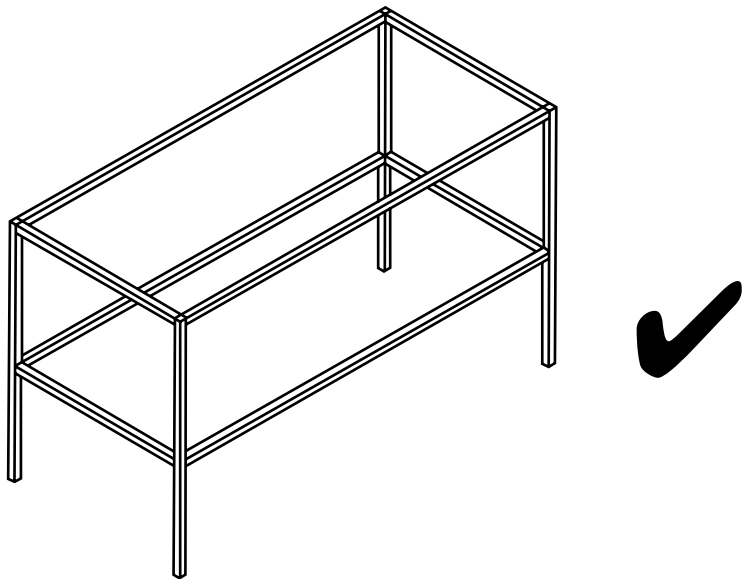
Parts included:



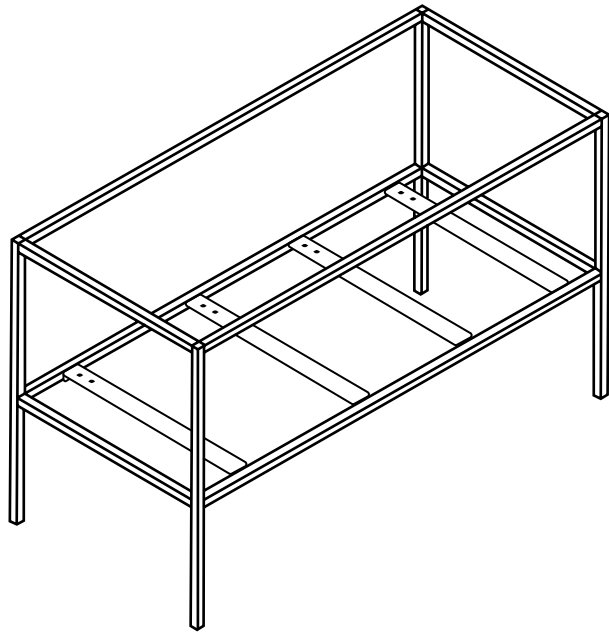
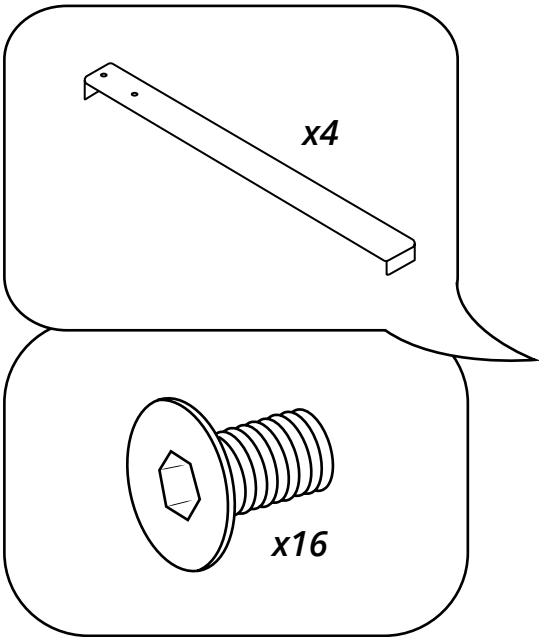
1



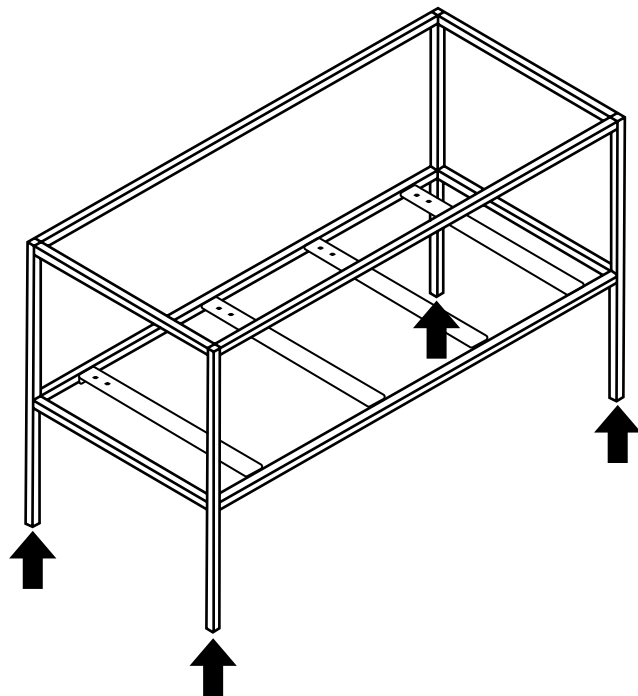
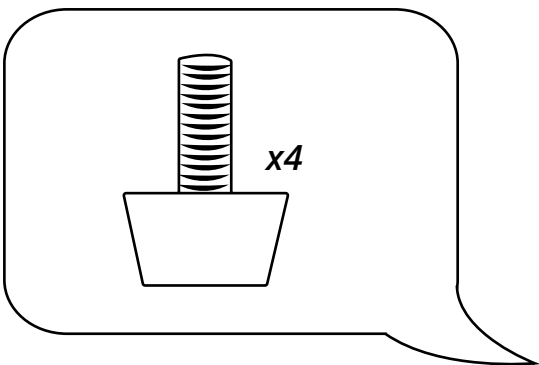
2



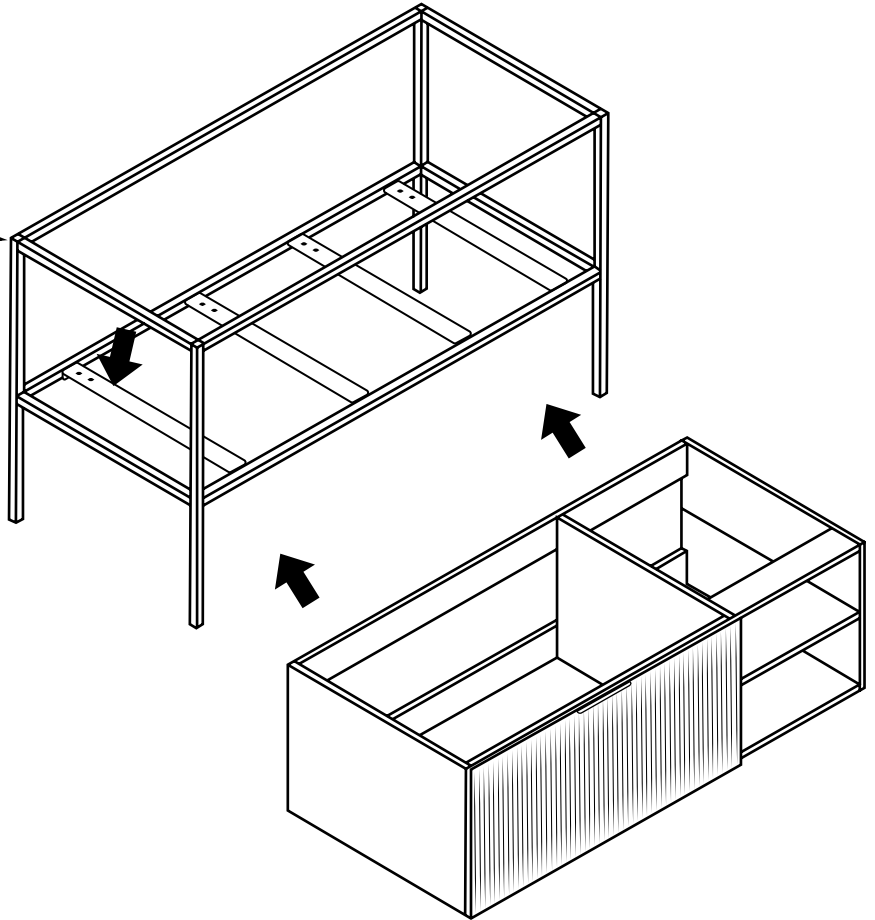
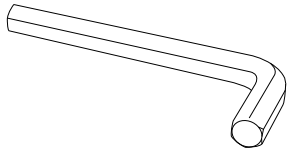
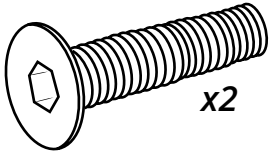
3



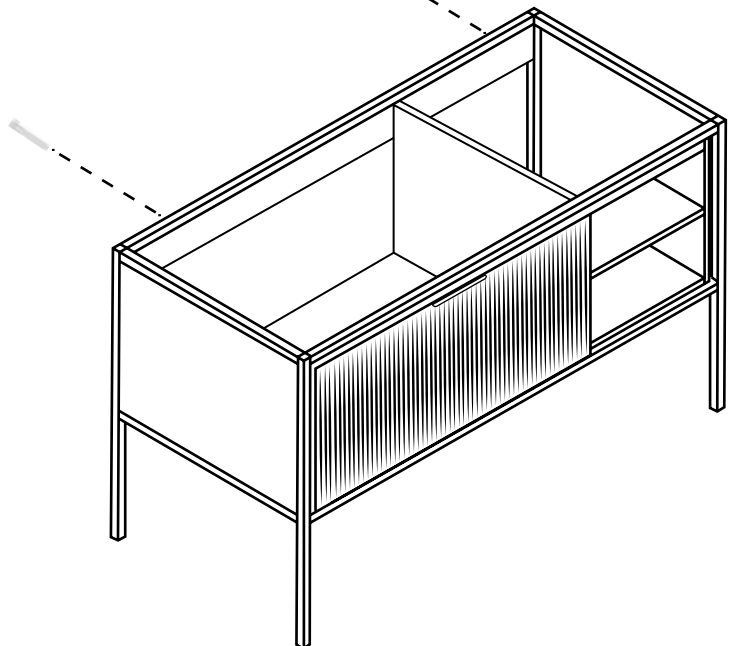
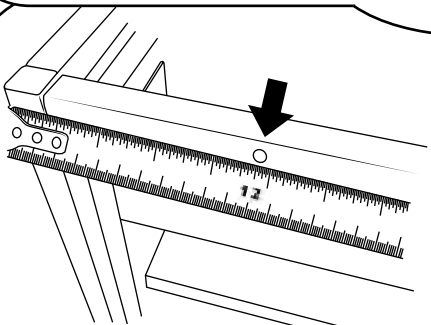
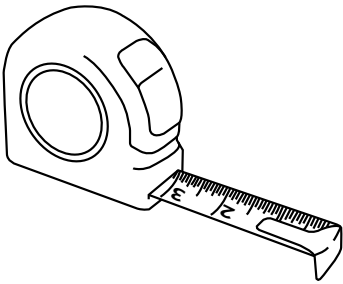
4



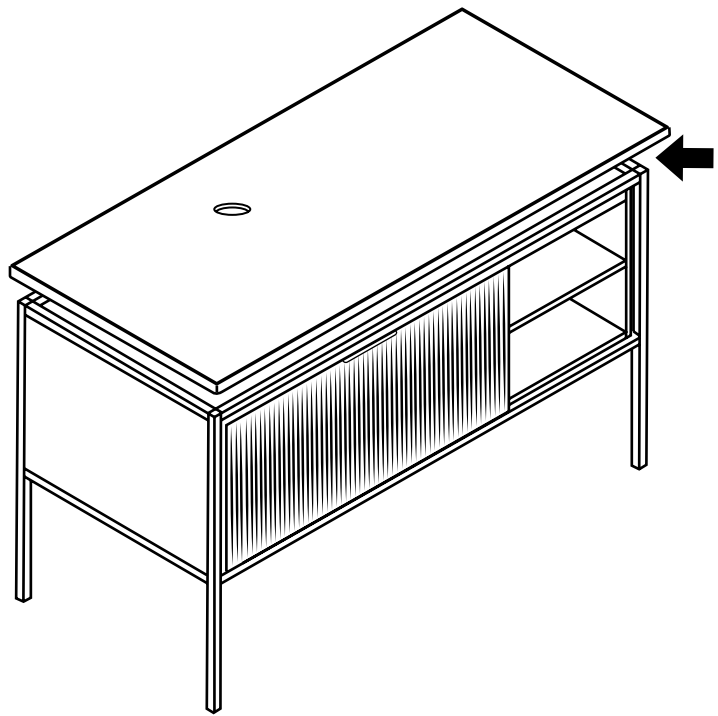
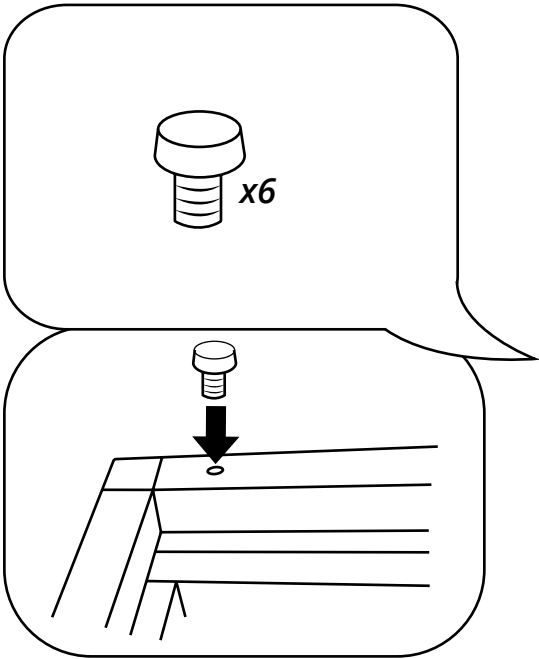
5



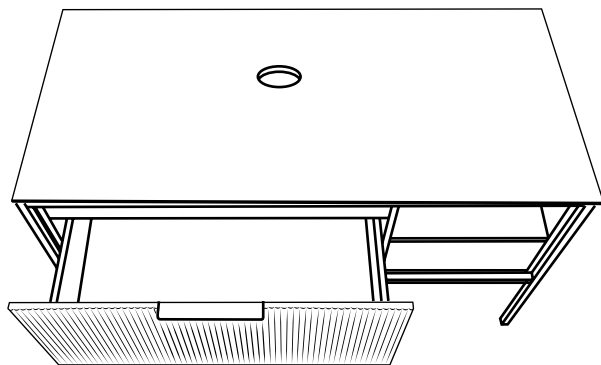
6



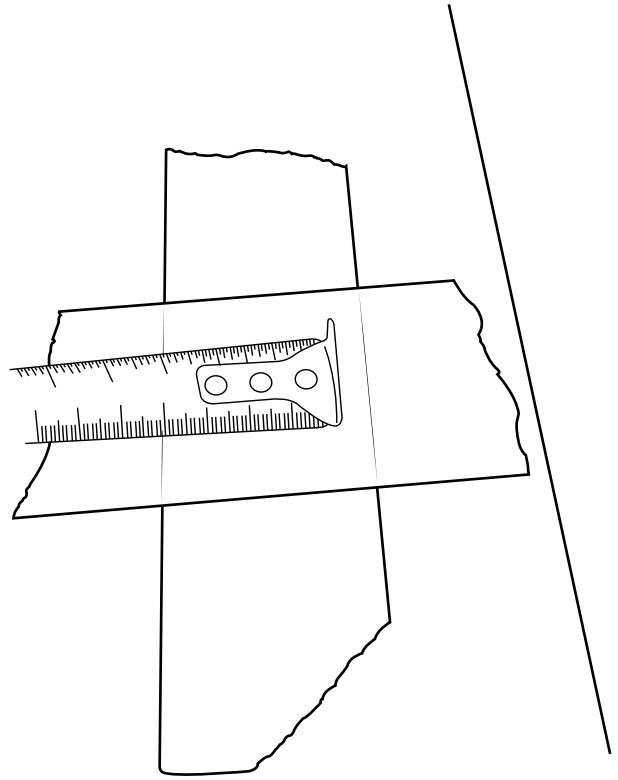
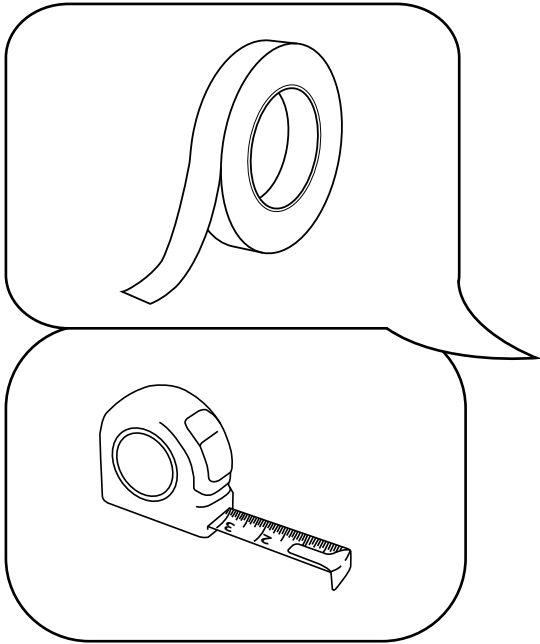
7



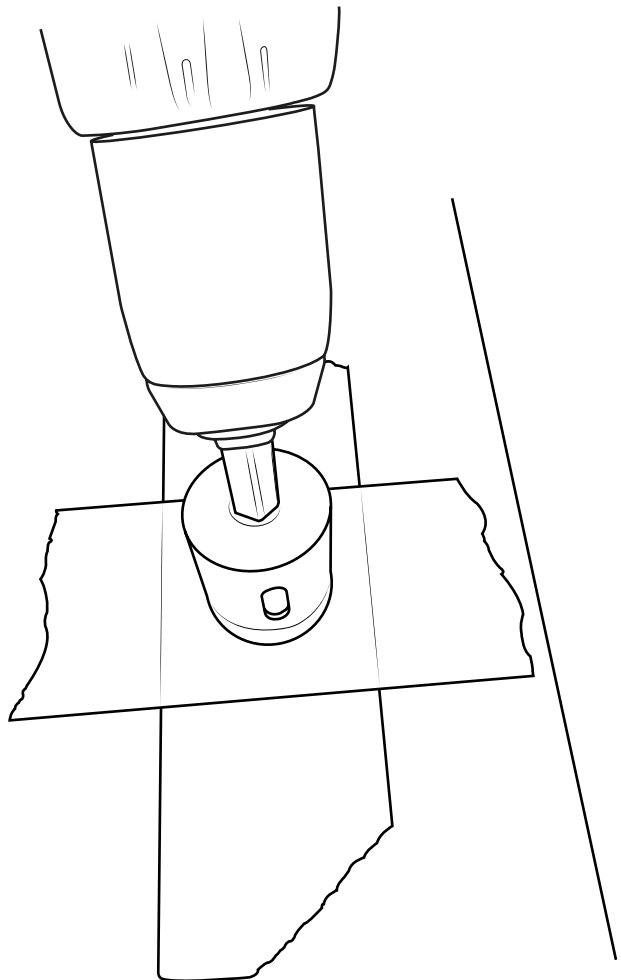
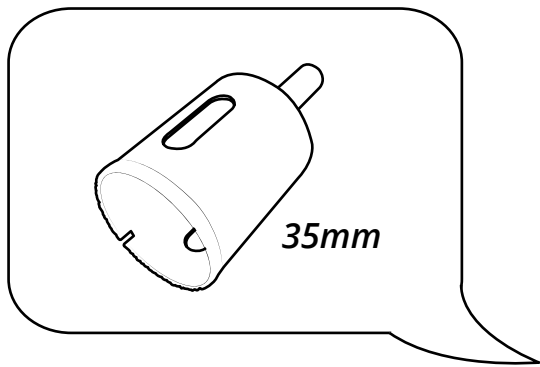
8



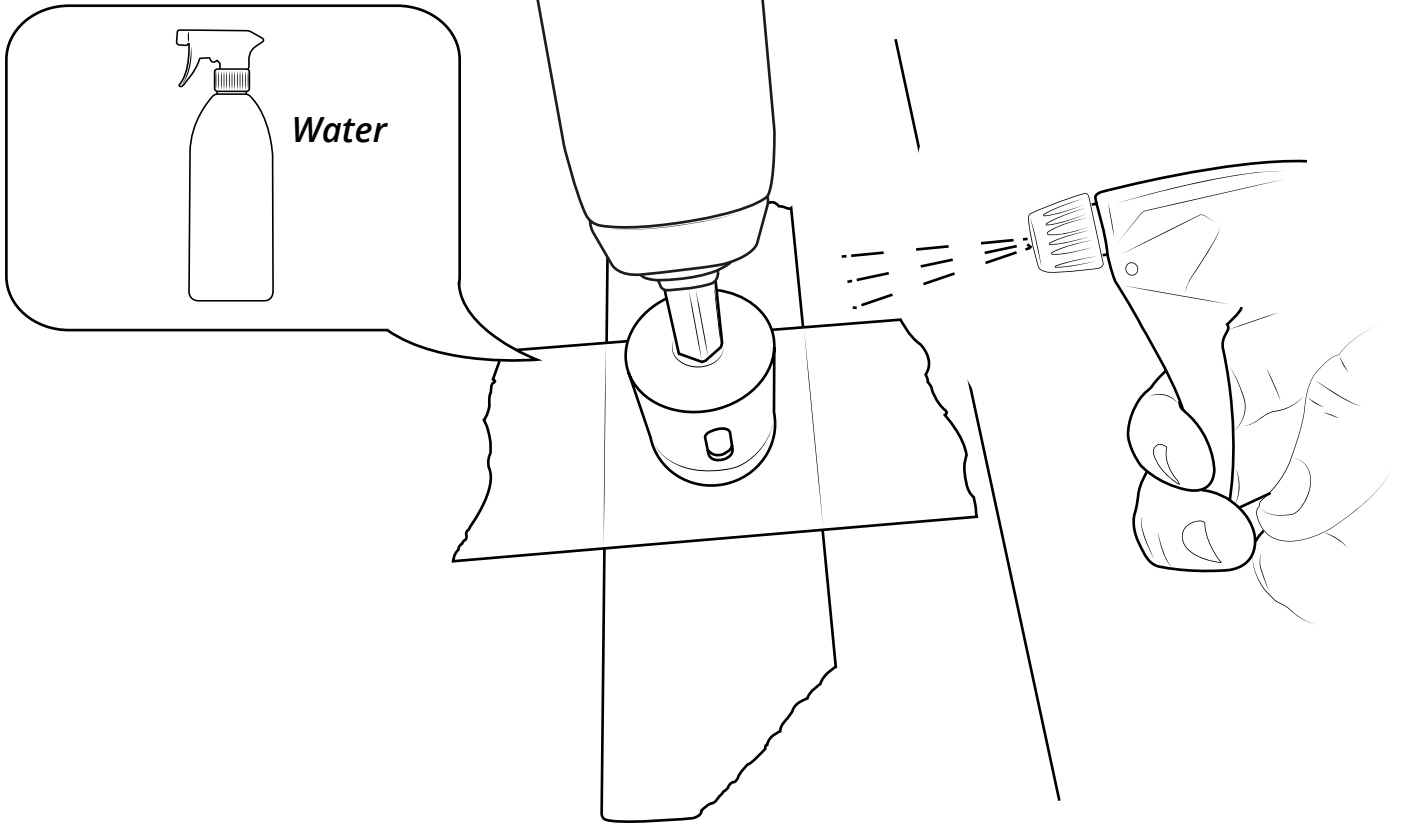
9 ⓘ *Tap Hole Drilling - Optional*



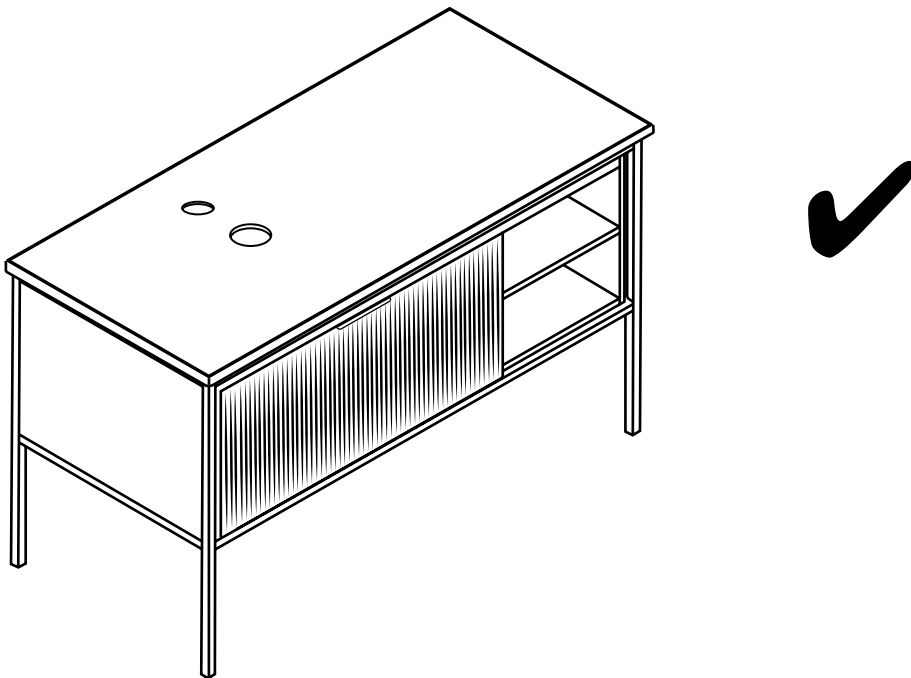
10



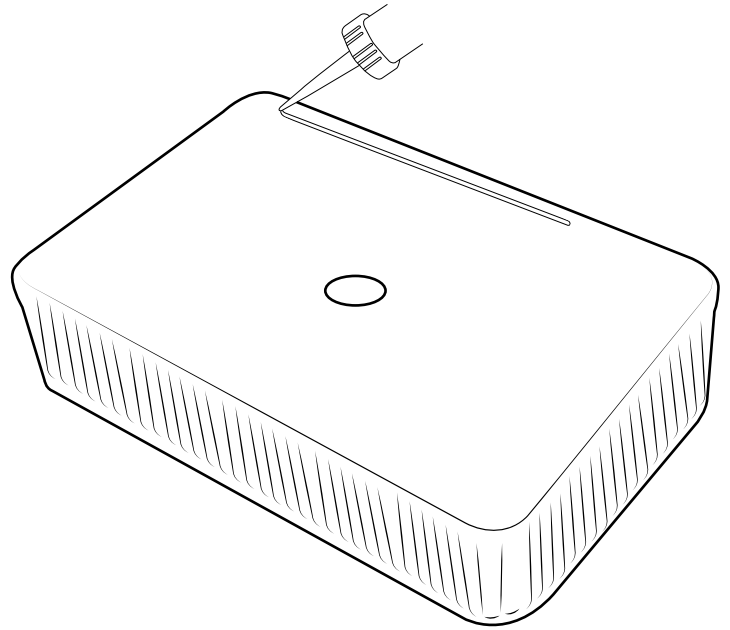
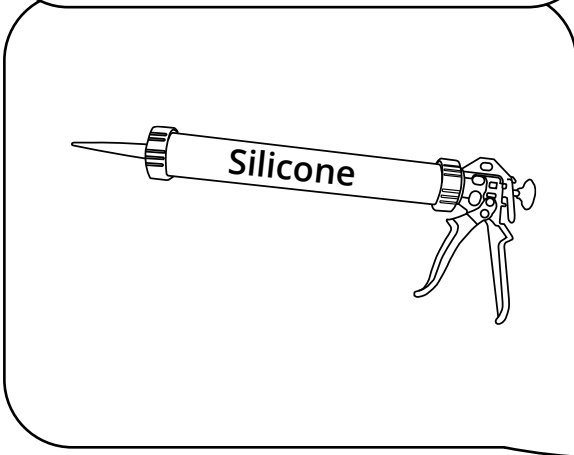
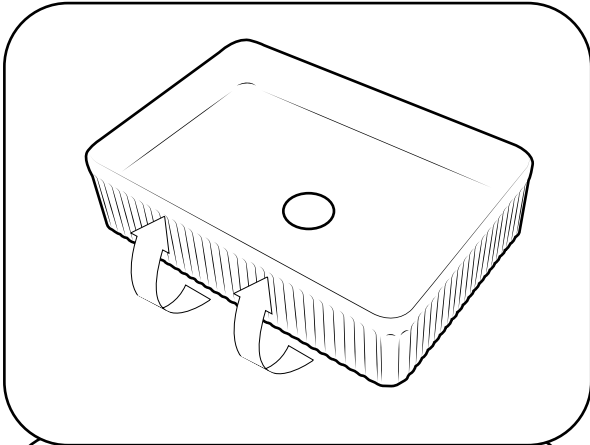
11



12

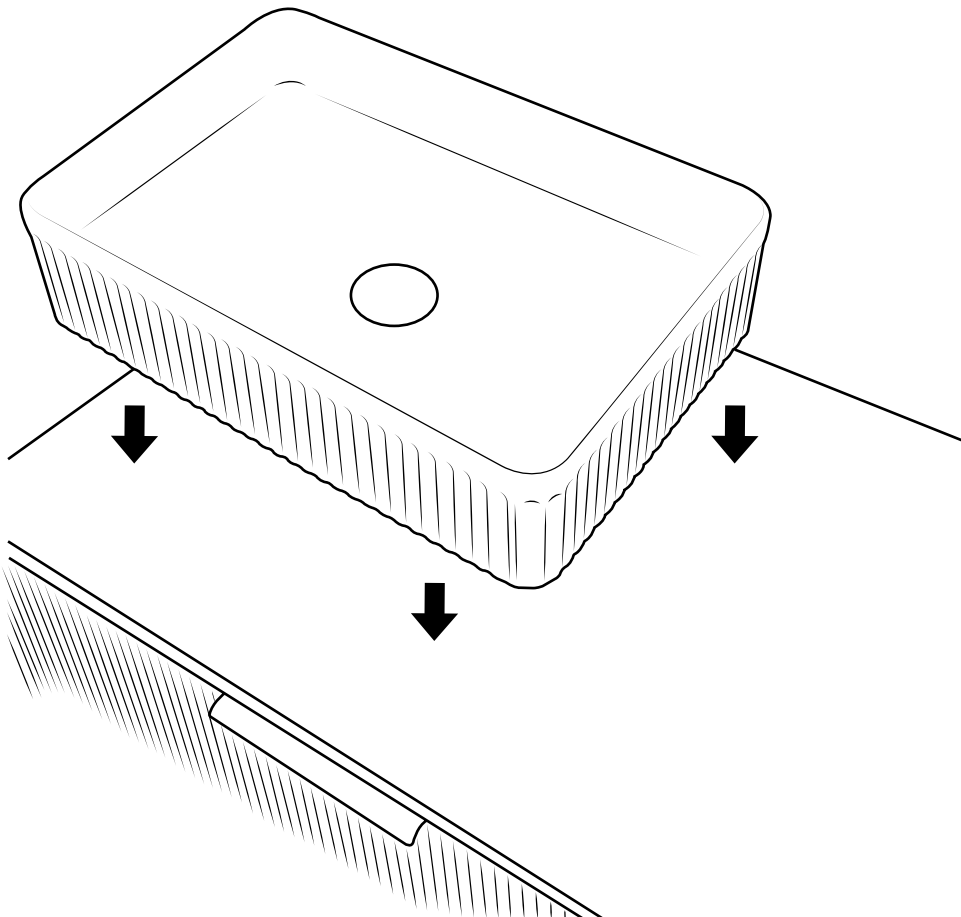


13

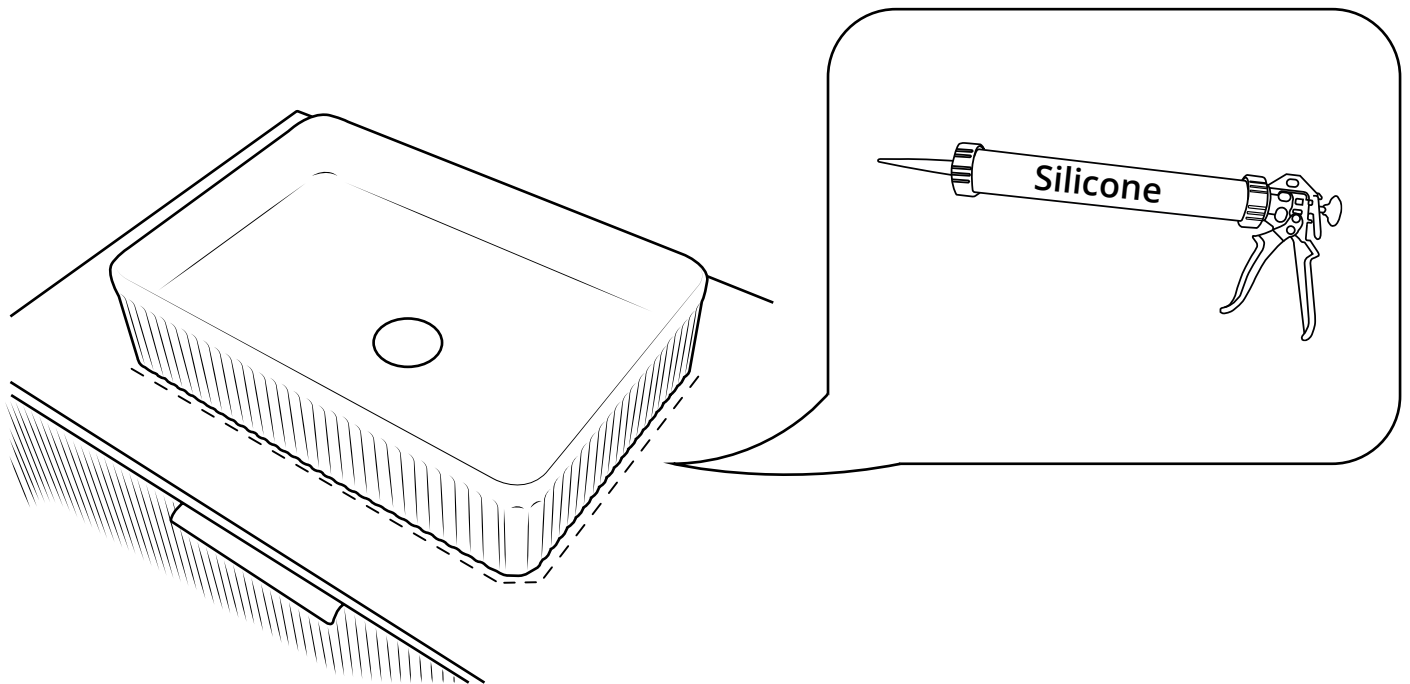


i Style may vary

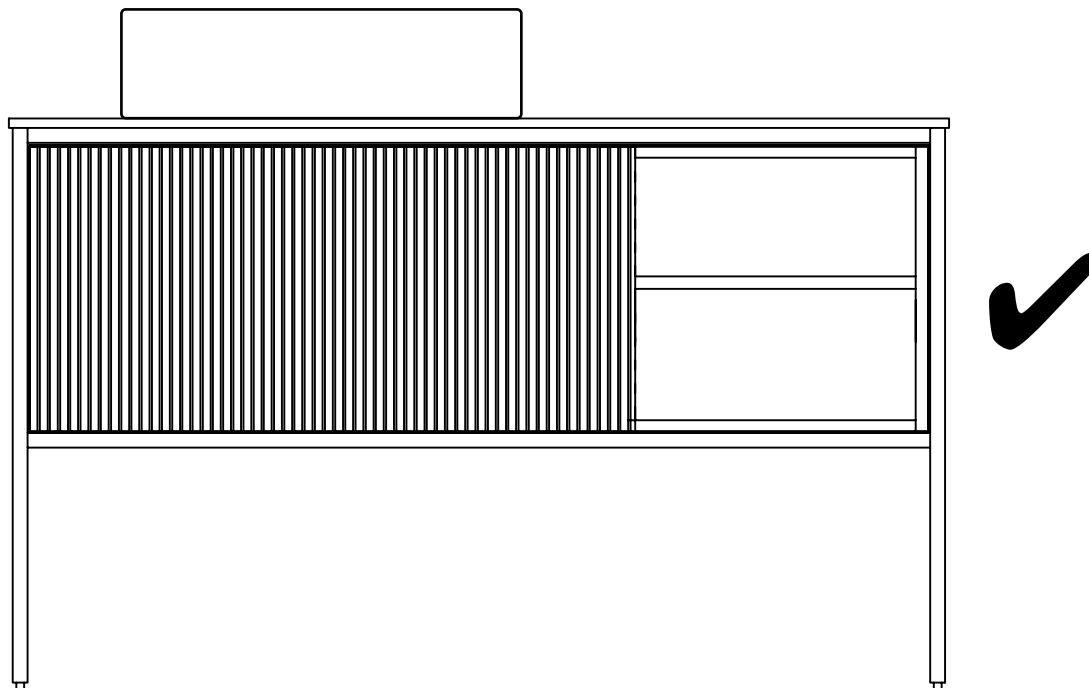
14



15



16



If you require any additional information or have any issues with this product please refer to the website.